

ADM1029

Dual PWM Fan Controller and Temperature Monitor for High Availability Systems

The ADM1029 is a versatile fan controller and monitor for use in personal computers, servers, telecommunications equipment, or any high-availability system where reliable control and monitoring of multiple cooling fans is required. Each ADM1029 can control the speed of one or two fans and can measure the speed of fans that have a tachometer output. The ADM1029 can also measure the temperature of one or two external sensing diodes or an internal temperature sensor, allowing fan speed to be adjusted to keep system temperature within acceptable limits. The ADM1029 has FAULT inputs for use with fans that can signal failure conditions, and inputs to detect whether or not fans are connected.

The ADM1029 communicates with the host processor over an System Management (SMBus) serial bus. It supports eight different serial bus addresses, so that up to eight devices can be connected to a common bus, controlling up to sixteen fans. This makes software support and hardware design scalable.

The ADM1029 has an interrupt output (\overline{INT}) that allows it to signal fault conditions to the host processor. It also has a separate, cascadable fault output (\overline{CFAULT}) that allows the ADM1029 to signal a fault condition to other ADM1029s.

The ADM1029 has a number of useful features including an automatic fan speed control option implemented in hardware with no software requirement, automatic use of backup fans in the event of fan failure, and supports hot-swapping of failed fans.

Features

- Software Programmable and Automatic Fan Speed Control
- Automatic Fan Speed Control Allows Control
- Independent of CPU Intervention after Initial Setup
- Control Loop Minimizes Acoustic Noise and Power Consumption
- Remote and Local Temperature Monitoring
- Dual Fan Speed Measurement
- Supports Backup and Redundant Fans
- Supports Hot Swapping of Fans
- Cascadable Fault Output Allows Fault Signaling between Multiple ADM1029s
- Address Pin Allows Up to Eight ADM1029s in A System
- Small 24-lead QSOP Package
- This is a Pb-Free Device*

Applications

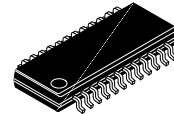
- Network Servers and Personal Computers
- Microprocessor-based Office Equipment
- High Availability Telecommunications Equipment

* For additional information on our Pb-Free strategy and soldering details, please download the ON Semiconductor Soldering and Mounting Techniques Reference Manual, SOLDERRM/D.



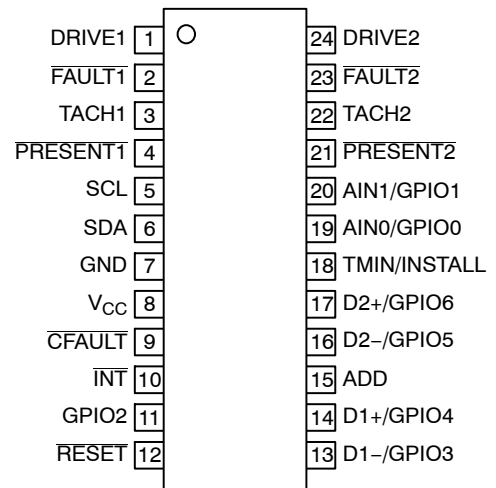
ON Semiconductor®

<http://onsemi.com>



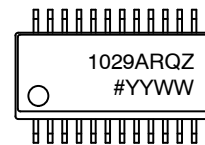
QSOP 24
CASE 492B

PIN ASSIGNMENT



ADM1029
Top View
(Not To Scale)

MARKING DIAGRAM



1029ARQZ = Special Device Code
= Pb-Free Package
YYWW = Date Code

ORDERING INFORMATION

See detailed ordering and shipping information in the package dimensions section on page 49 of this data sheet.

ADM1029

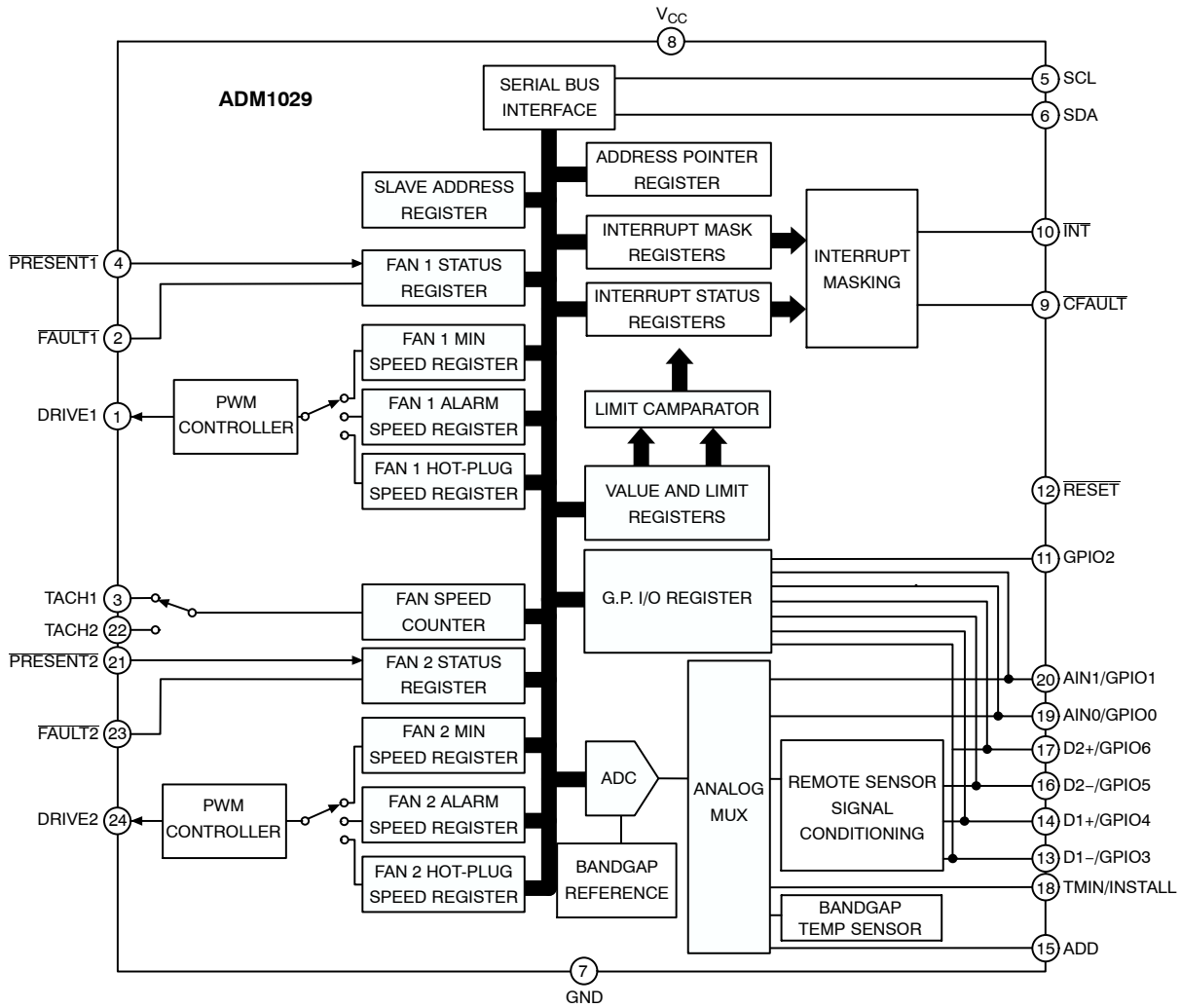


Figure 1. Functional Block Diagram

Table 1. ABSOLUTE MAXIMUM RATINGS

| Rating | Value | Unit |
|---|----------------------------|--------------------|
| Positive Supply Voltage (V_{CC}) | 6.5 | V |
| Voltage on Pins 13–18 | -0.3 to ($V_{CC} + 0.3$) | V |
| Voltage on Any Other Input or Output Pin | -0.3 to +6.5 | V |
| Input Current at Any Pin | ± 5 | mA |
| Package Input Current | ± 20 | mA |
| Maximum Junction Temperature (T_J max) | 150 | $^{\circ}\text{C}$ |
| Storage Temperature Range | -65 to + 150 | $^{\circ}\text{C}$ |
| Lead Temperature Vapor Phase (60 sec) Infrared (15 sec) | 215 200 | $^{\circ}\text{C}$ |
| ESD Rating All Pins | 2,000 | V |

Stresses exceeding Maximum Ratings may damage the device. Maximum Ratings are stress ratings only. Functional operation above the Recommended Operating Conditions is not implied. Extended exposure to stresses above the Recommended Operating Conditions may affect device reliability.

Table 2. THERMAL CHARACTERISTICS

| Package Type | θ_{JA} | θ_{JC} | Unit |
|--------------|---------------|---------------|-----------------------------|
| 24-lead QSOP | 105 | 39 | $^{\circ}\text{C}/\text{W}$ |

ADM1029

Table 3. PIN FUNCTION DESCRIPTIONS

| Pin No. | Mnemonic | Description |
|---------|-----------------|--|
| 1 | DRIVE1 | Open Drain Digital Output. Pulsewidth Modulated (PWM) output to control the speed of Fan 1. Requires 10 k Ω typical pull-up resistor. |
| 2 | FAULT1 | Open Drain Digital I/O. When used with a fan having a fault output, a Logic 0 input to this pin signals a fault on Fan 1. Also used as a fault output. |
| 3 | TACH1 | Open Drain Digital Input. Digital fan tachometer input for Fan 1. Will accept logic signals up to 5 V even when V _{CC} is lower than 5 V. |
| 4 | PRESENT1 | Open Drain Digital Input. A shorting link in the fan connector holds this pin low when Fan 1 is connected. |
| 5 | SCL | Open Drain Digital Input. Serial Bus Clock. Requires 2.2 k Ω pull-up typical. |
| 6 | SDA | Digital I/O. Serial Bus bidirectional data. Open-drain output requires 2.2 k Ω pull-up. |
| 7 | GND | System Ground |
| 8 | V _{CC} | Power (3.0 V to 5.5 V). Typically powered from 3.3 V power rail. Bypass with the parallel combination of 10 μ F (electrolytic or tantalum) and 0.1 μ F (ceramic) bypass capacitors. |
| 9 | CFault | Open Drain Digital I/O. Cascade fault input/output used for fault signaling between multiple ADM1029s. |
| 10 | INT | Digital Output. Interrupt Request (Open Drain). The output is enabled when Bit 1 of the Configuration Register is set to 0. The default state is enabled. |
| 11 | GPIO2 | Open Drain Digital I/O. General-purpose logic I/O pin. |
| 12 | RESET | Open Drain Digital Input. Active low reset input. |
| 13 | D1-/GPIO3 | Analog Input/Open Drain Digital I/O. Connected to cathode of external temperature-sensing diode, or may be reconfigured as a general-purpose logic input/output. |
| 14 | D1+/GPIO4 | Analog Input/Open Drain Digital I/O. Connected to anode of external temperature-sensing diode, or may be reconfigured as a general-purpose logic input/output. |
| 15 | ADD | Eight-level Analog Input. Used to set the three LSBs of the serial bus address. |
| 16 | D2-/GPIO5 | Analog Input/Open Drain Digital I/O. Connected to cathode of external temperature-sensing diode, or may be reconfigured as a general-purpose logic input/output. |
| 17 | D2+/GPIO6 | Analog Input/Open Drain Digital I/O. Connected to anode of external temperature-sensing diode, or may be reconfigured as a general-purpose logic input/output. |
| 18 | TMIN/INSTALL | Eight-level Analog Input. The voltage on this pin defines whether automatic fan speed control is enabled, the minimum temperature at which the fan(s) will turn on in automatic speed control mode, and the number of fans that should be installed. |
| 19 | AIN0/GPIO0 | Analog Input/Open Drain Digital I/O. May be configured as a 0 V to 2.5 V analog input or as a general-purpose digital I/O pin. |
| 20 | AIN1/GPIO1 | Analog Input/Open Drain Digital I/O. May be configured as a 0 V to 2.5 V analog input or as a general-purpose digital I/O pin. |
| 21 | PRESENT2 | Open Drain Digital Input. A shorting link in the fan connector holds this pin low when Fan 2 is connected. |
| 22 | TACH2 | Open Drain Digital Input. Digital fan tachometer input for Fan 2. Will accept logic signals up to 5 V even when V _{CC} is lower than 5 V. |
| 23 | FAULT2 | Open Drain Digital I/O. When used with a fan having a fault output, a Logic 0 input to this pin signals a fault on Fan 2. Also used as a fault output. |
| 24 | DRIVE2 | Open Drain Digital Output. Pulsewidth Modulated (PWM) output to control the speed of Fan 2. Requires 10 k Ω typical pull-up resistor. |

ADM1029

Table 4. ELECTRICAL CHARACTERISTICS ($T_A = T_{MIN}$ to T_{MAX} , $V_{CC} = V_{MIN}$ to V_{MAX} , unless otherwise noted. (Note 1 and 2))

| Parameter | Test Conditions/Comments | Min | Typ | Max | Unit |
|---|--|------------------|------------------------------|------------------|---------------------|
| POWER SUPPLY | | | | | |
| Supply Voltage, V_{CC} | | 3.0 | 3.3 | 5.5 | V |
| Supply Current, I_{CC} | Interface Inactive, ADC Active ADC Inactive, DAC Active Shutdown Mode | – | 1.7 1.5 10 | 3.0 – 60 | mA mA μ A |
| TEMPERATURE-TO-DIGITAL CONVERTER | | | | | |
| Internal Sensor Accuracy | | – | ± 1.0 | ± 3.0 | $^{\circ}$ C |
| Resolution | | – | 1.0 | – | $^{\circ}$ C |
| External Diode Sensor Accuracy | $0^{\circ}\text{C} < T_D < 100^{\circ}\text{C}$ | – | ± 3.0 | ± 5.0 | $^{\circ}$ C |
| Resolution | | – | 1.0 | – | $^{\circ}$ C |
| Remote Sensor Source Current | High Level Low Level | – – | 90 5.5 | – – | μ A |
| ANALOG-TO-DIGITAL CONVERTER | | | | | |
| Total Unadjusted Error, TUE (Note 3) | | – | – | ± 1.0 | % |
| Differential Non-linearity, DNL | | – | – | ± 1.0 | LSB |
| Power Supply Sensitivity | | – | ± 1.0 | – | %/V |
| Conversion Time Analog Input or Internal Temperature External Temperature | | – – | 11.6 185.6 | – – | ms |
| FAN RPM-TO-DIGITAL CONVERTER | | | | | |
| Accuracy | $60^{\circ}\text{C} \leq T_A \leq 100^{\circ}\text{C}$; $V_{CC} = 3.3\text{ V}$ | – | – | ± 6 | % |
| Full-scale Count | | – | – | 255 | |
| Fan 1 to Fan 2 Nominal Input RPM (Note 4) | Divisor = 1, Fan Count = 153 Divisor = 2, Fan Count = 153 Divisor = 4, Fan Count = 153 Divisor = 8, Fan Count = 153 | – – – – | 8800 4400 2200 1100 | – – – – | RPM |
| Internal Clock Frequency | | 56.4 | 60.0 | 63.6 | kHz |
| OPEN-DRAIN DIGITAL OUTPUTS (INT, CFAULT) | | | | | |
| Output Low Voltage, V_{OL} | $I_{OUT} = -6.0\text{ mA}$, $V_{CC} = 3\text{ V}$ | – | – | 0.4 | V |
| High Level Output Current, I_{OH} | $V_{OUT} = V_{CC}$ | – | 0.1 | 1.0 | μ A |
| OPEN-DRAIN SERIAL DATA BUS OUTPUT (SDA) | | | | | |
| Output Low Voltage, V_{OL} | $I_{OUT} = -6.0\text{ mA}$, $V_{CC} = 3\text{ V}$ | – | – | 0.4 | V |
| High Level Output Leakage Current, I_{OH} | $V_{OUT} = V_{CC}$ | – | 0.1 | 1.0 | μ A |
| SERIAL BUS DIGITAL INPUTS (SCL, SDA) | | | | | |
| Input High Voltage, V_{IH} | | 2.1 | – | – | V |
| Input Low Voltage, V_{IL} | | – | – | 0.8 | V |
| Hysteresis | | – | 500 | – | mV |
| DIGITAL INPUT LOGIC LEVELS (RESET, GPIO1–6, FAULT1/2, TACH1/2, PRESENT1/2) | | | | | |
| Input High Voltage, V_{IH} | | 2.1 | – | – | V |
| Input Low Voltage, V_{IL} | | – | – | 0.8 | V |
| DIGITAL INPUT CURRENT | | | | | |
| Input High Current, I_{IH} | $V_{IN} = V_{CC}$ | –1.0 | – | – | μ A |
| Input Low Current, I_{IL} | $V_{IN} = 0$ | – | – | 1.0 | μ A |
| Input Capacitance, C_{IN} | | – | 20 | – | pF |
| SERIAL BUS TIMING (Note 5) | | | | | |
| Clock Frequency, f_{SCLK} | See Figure 2 for All Parameters. | 10 | – | 100 | kHz |
| Glitch Immunity, t_{SW} | | – | 50 | – | ns |

ADM1029

Table 4. ELECTRICAL CHARACTERISTICS ($T_A = T_{MIN}$ to T_{MAX} , $V_{CC} = V_{MIN}$ to V_{MAX} , unless otherwise noted. (Note 1 and 2))

| Parameter | Test Conditions/Comments | Min | Typ | Max | Unit |
|--|--------------------------|-----|-----|-------|---------------|
| SERIAL BUS TIMING (Note 5) | | | | | |
| Bus Free Time, t_{BUF} | | 4.7 | – | – | μs |
| Start Setup Time, $t_{SU; STA}$ | | 4.7 | – | – | μs |
| Start Hold Time, $t_{HD; STA}$ | | 4.0 | – | – | μs |
| Stop Condition Setup Time, $t_{SU; STO}$ | | 4.0 | – | – | μs |
| SCL Low Time, t_{LOW} | | 1.3 | – | – | μs |
| SCL High Time, t_{HIGH} | | 4.0 | – | 50 | μs |
| SCL, SDA Rise Time, t_R | | – | – | 1,000 | ns |
| SCL, SDA Fall Time, t_F | | – | – | 300 | ns |
| Data Setup Time, $t_{SU; DAT}$ | | 250 | – | – | ns |
| Data Hold Time, $t_{HD; DAT}$ | | 300 | – | – | ns |

1. All voltages are measured with respect to GND, unless otherwise specified.
2. Typicals are at $T_A = 25^\circ\text{C}$ and represent the most likely parametric norm. Shutdown current typ is measured with $V_{CC} = 3.3\text{ V}$.
3. Total unadjusted error (TUE) includes offset, gain, and linearity errors of the ADC, multiplexer.
4. The total fan count is based on two pulses per revolution of the fan tachometer output.
5. Timing specifications are tested at logic levels of $V_{IL} = 0.8\text{ V}$ for a falling edge and $V_{IH} = 2.1\text{ V}$ for a rising edge.

NOTE: Specifications subject to change without notice.

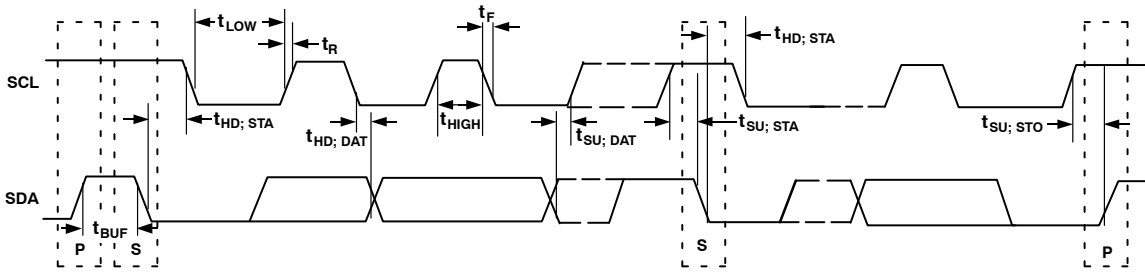


Figure 2. Serial Bus Timing Diagram

TYPICAL PERFORMANCE CHARACTERISTICS

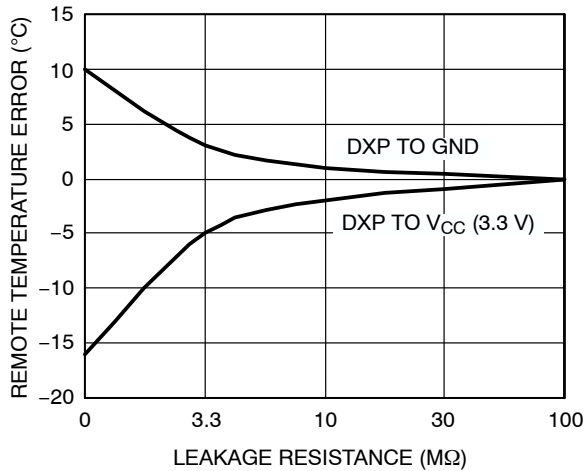


Figure 3. Remote Temperature Error vs. PC Board Track Resistance

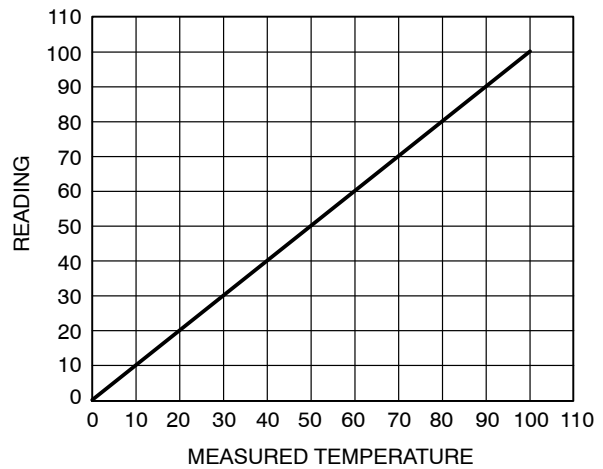


Figure 4. Pentium® III Temperature Measurement vs. ADM1029 Reading

TYPICAL PERFORMANCE CHARACTERISTICS

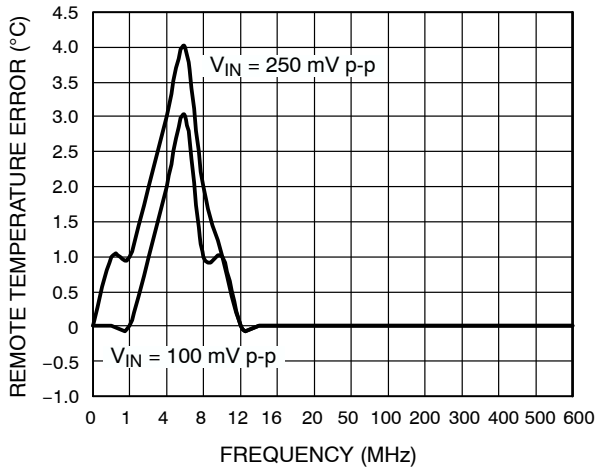


Figure 5. Remote Temperature Error vs. Power Supply Noise Frequency

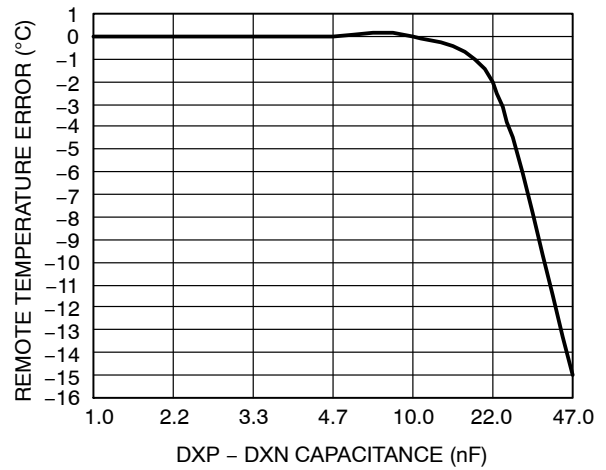


Figure 6. Remote Temperature Error vs. Capacitance between D+ and D-

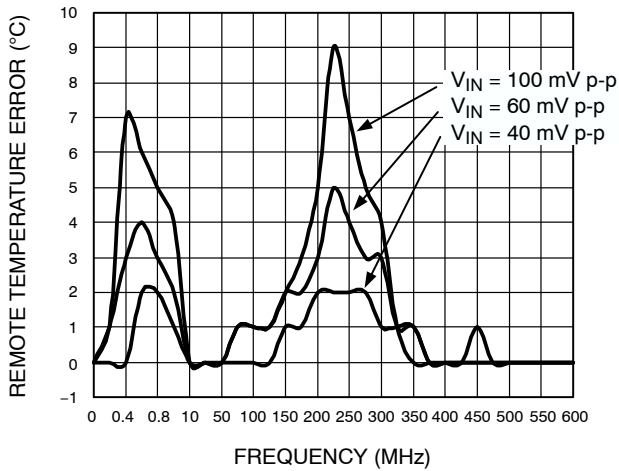


Figure 7. Remote Temperature Error vs. Common-mode Noise Frequency

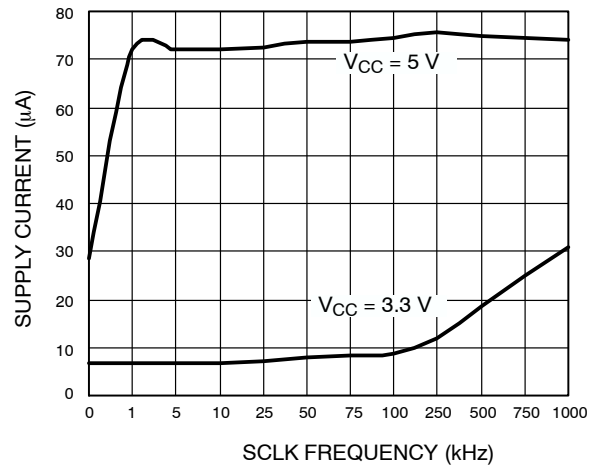


Figure 8. Standby Current vs. Clock Frequency

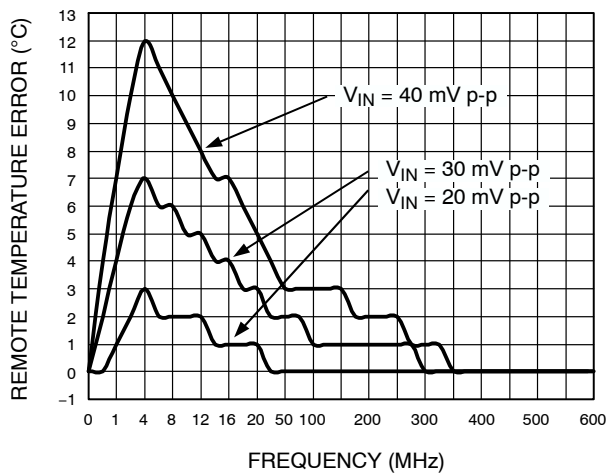


Figure 9. Remote Temperature Error vs. Differential-mode Noise Frequency

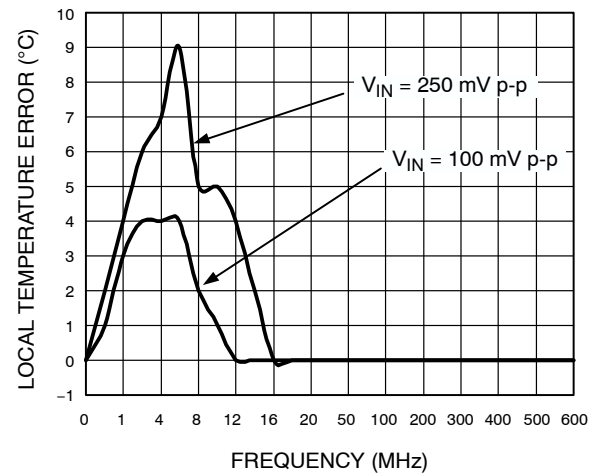


Figure 10. Local Sensor Temperature Error vs. Power Supply Noise Frequency

ADM1029

TYPICAL PERFORMANCE CHARACTERISTICS

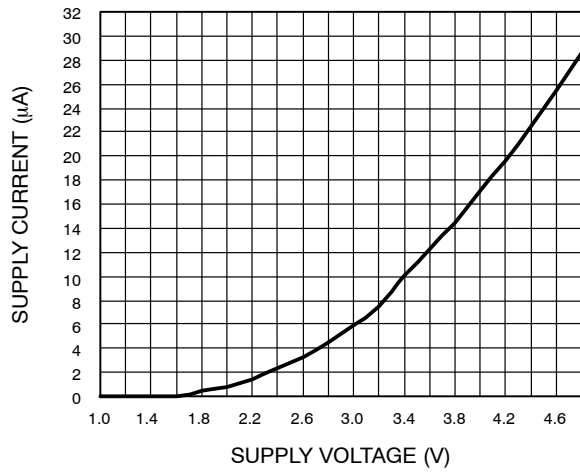


Figure 11. Standby Supply Current vs. Supply Voltage

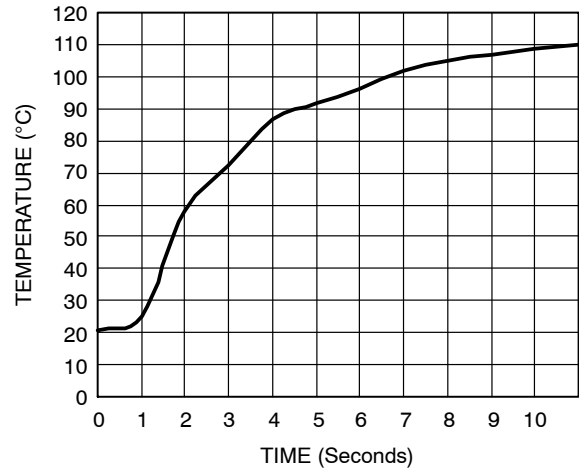


Figure 12. ADM1029 Response to Thermal Shock

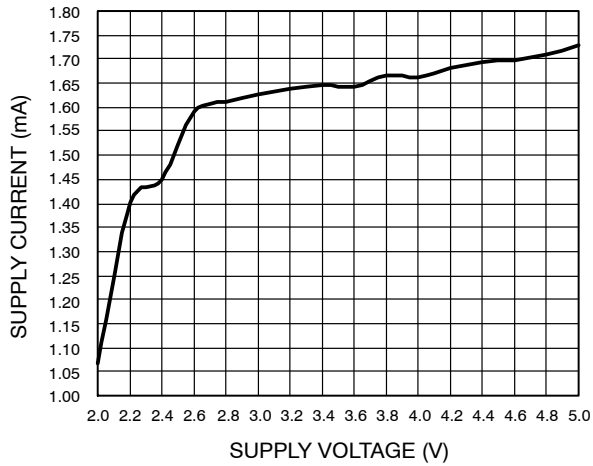


Figure 13. Supply Current vs. Supply Voltage

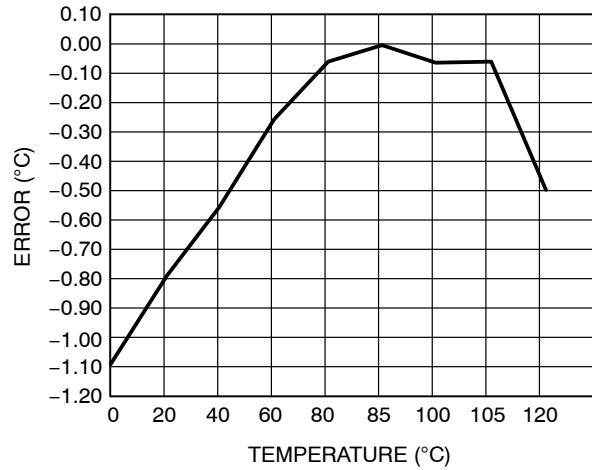


Figure 14. Remote Temperature Error

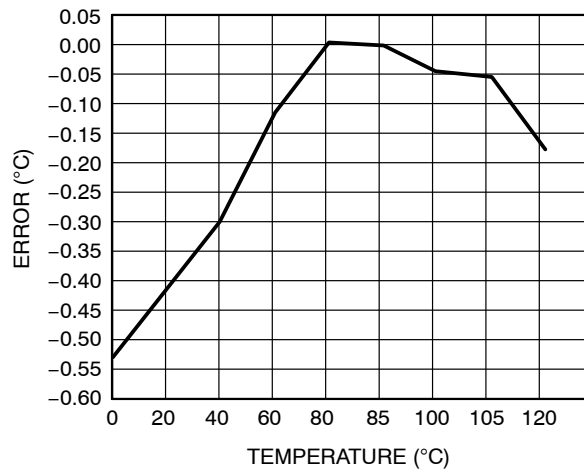


Figure 15. Local Temperature Error

Functional Description

Serial Bus Interface

Control of the ADM1029 is carried out via the serial bus. The ADM1029 is connected to this bus as a slave device, under the control of a master device.

The ADM1029 has a 7-bit serial bus address. The four MSBs of the address are set to 0101. The three LSBs can be set by the user to give a total of eight different addresses, allowing up to eight ADM1029s to be connected to a single serial bus segment.

To minimize device pin count and size, the three LSBs are set using a single pin (ADD, Pin 15). This is an 8-level input whose input voltage is set by a potential divider. The voltage on ADD is sampled immediately after power-up and digitized by the on-chip ADC to determine the value of the 3 LSBs. Since ADD is sampled only at power-up, any changes made while power is on will have no effect.

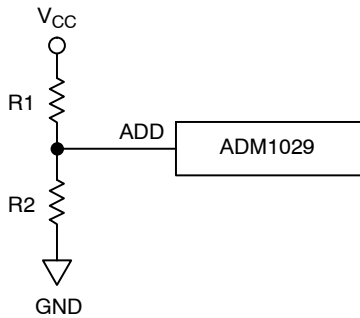


Figure 16. Setting the Serial Address

Table 5 shows resistor values for setting the 3 LSBs of the serial bus address. The same principle is used to set the

Table 5. RESISTOR RATIOS FOR SETTING SERIAL BUS ADDRESS

| 3 MSBs of ADC | Ideal Ratio R2/(R1 + R2) | R1 (kΩ) | R2 (kΩ) | Actual R2/(R1 + R2) | Error (%) | Address |
|---------------|-----------------------------|---------|---------|------------------------|-----------|---------|
| 111 | N/A | 0 | ∞ | 1 | 0 | 0101111 |
| 110 | 0.8125 | 18 | 82 | 0.82 | +0.75 | 0101110 |
| 101 | 0.6875 | 22 | 47 | 0.6812 | -0.63 | 0101101 |
| 100 | 0.5625 | 12 | 15 | 0.5556 | -0.69 | 0101100 |
| 011 | 0.4375 | 15 | 12 | 0.4444 | +0.69 | 0101011 |
| 010 | 0.3125 | 47 | 22 | 0.3188 | +0.63 | 0101010 |
| 001 | 0.1875 | 82 | 18 | 0.18 | -0.75 | 0101001 |
| 000 | N/A | ∞ | 0 | 0 | 0 | 0101000 |

The serial bus protocol operates as follows:

1. The master initiates data transfer by establishing a START condition, defined as a high-to-low transition on the serial data line SDA, while the serial clock line SCL remains high. This indicates that an address/data stream will follow. All slave peripherals connected to the serial bus respond to the START condition, and shift in the next eight bits, consisting of a 7-bit address (MSB first) plus an R/W bit, which determines the direction of the

voltage on Pin 18 (TMIN/INSTALL), which controls the automatic fan speed control function, and also tells the ADM1029 how many fans should be installed, as described later.

If several ADM1029s are used in a system, their ADD inputs can tap off a single potential divider, as shown in Figure 17.

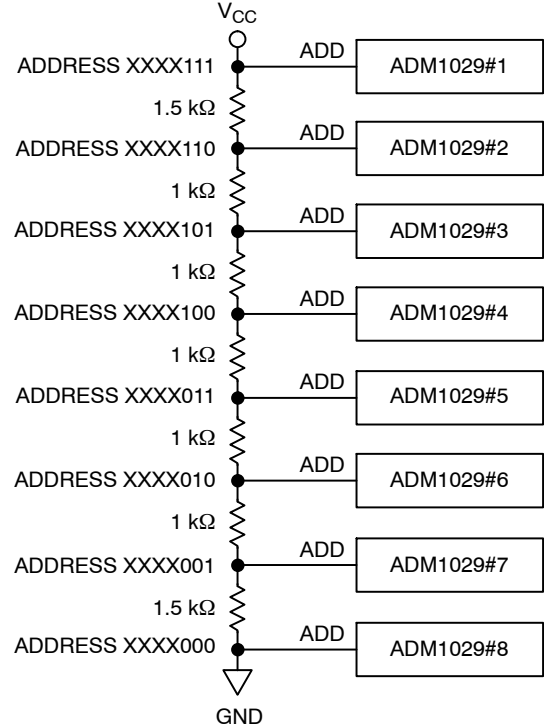


Figure 17. Setting Address of up to Eight ADM1029s

data transfer, i.e., whether data will be written to or read from the slave device.

The peripheral whose address corresponds to the transmitted address responds by pulling the data line low during the low period before the ninth clock pulse, known as the Acknowledge Bit. All other devices on the bus now remain idle while the selected device waits for data to be read from or written to it. If the R/W bit is a 0, the master will

write to the slave device. If the R/\overline{W} bit is a 1 the master will read from the slave device.

2. Data is sent over the serial bus in sequences of nine clock pulses, eight bits of data followed by an acknowledge bit from the slave device. Transitions on the data line must occur during the low period of the clock signal and remain stable during the high period, as a low-to-high transition when the clock is high may be interpreted as a STOP signal. The number of data bytes that can be transmitted over the serial bus in a single READ or WRITE operation is limited only by what the master and slave devices can handle.
3. When all data bytes have been read or written, stop conditions are established. In WRITE mode,

the master will pull the data line high during the tenth clock pulse to assert a STOP condition. In READ mode, the master device will override the acknowledge bit by pulling the data line high during the low period before the ninth clock pulse. This is known as No Acknowledge. The master will then take the data line low during the low period before the tenth clock pulse, high during the tenth clock pulse to assert a STOP condition.

Any number of bytes of data may be transferred over the serial bus in one operation, but it is not possible to mix read and write in one operation, because the type of operation is determined at the beginning and cannot subsequently be changed without starting a new operation.

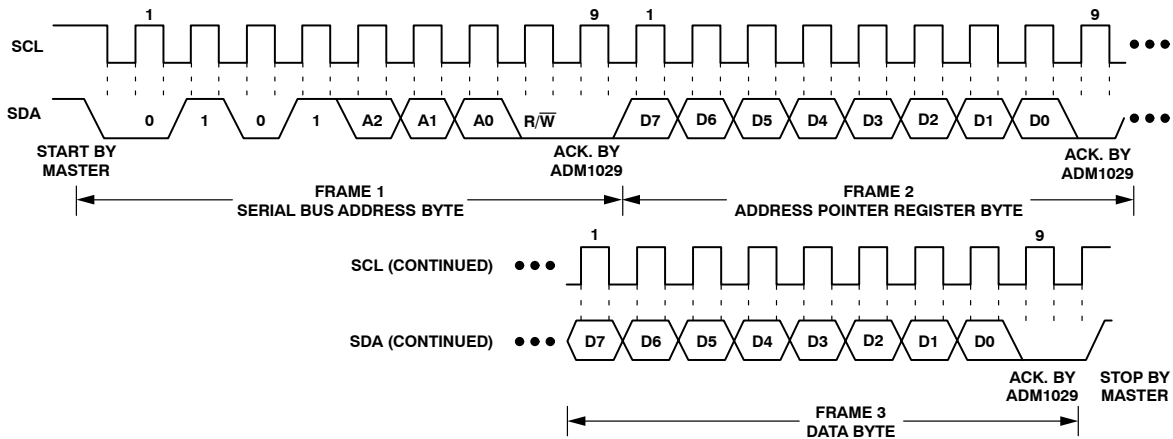


Figure 18. Writing a Register Address to the Address Pointer Register, then Writing Data to the Selected Register

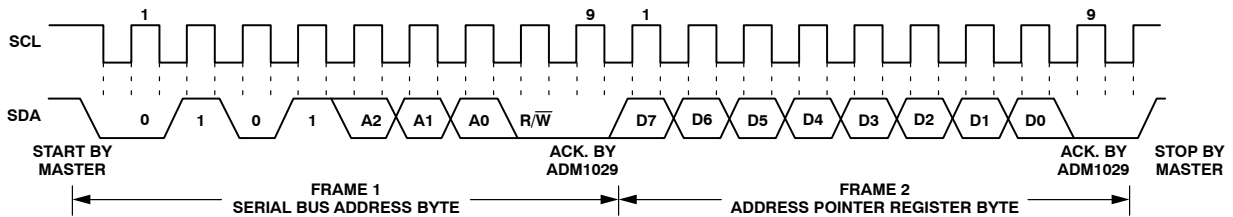


Figure 19. Writing to the Address Pointer Register Only

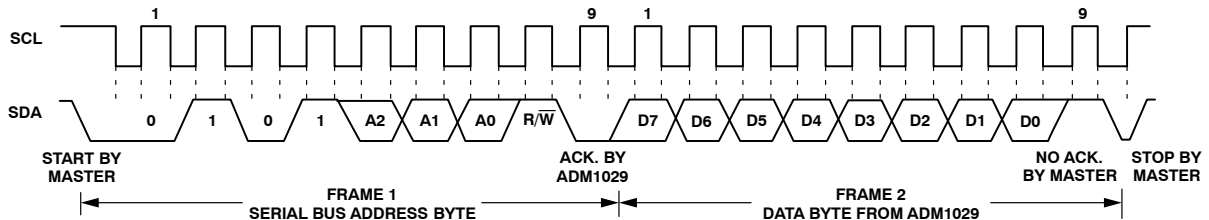


Figure 20. Reading Data from a Previously Selected Register

In the case of the ADM1029, write operations contain either one or two bytes, and read operations contain one byte, and perform the following functions:

To write data to one of the device data registers or read data from it, the Address Pointer Register must be set so that the correct data register is addressed, data can be written into that register or read from it. The first byte of a write operation always contains an address that is stored in the Address Pointer Register. If data is to be written to the device, the write operation contains a second data byte that is written to the register selected by the address pointer register.

This is illustrated in Figure 18. The device address is sent over the bus followed by R/W set to 0. This is followed by two data bytes. The first data byte is the address of the internal data register to be written to, which is stored in the Address Pointer Register. The second data byte is the data to be written to the internal data register.

When reading data from a register there are two possibilities:

1. If the ADM1029's Address Pointer Register value is unknown or not the desired value, it is first necessary to set it to the correct value before data can be read from the desired data register. This is done by performing a write to the ADM1029 as before, but only the data byte containing the register address is sent, as data is not to be written to the register. This is shown in Figure 19.

A read operation is then performed consisting of the serial bus address, R/W bit set to 1, followed by the data byte read from the data register. This is shown in Figure 20.

2. If the Address Pointer Register is known to be already at the desired address, data can be read from the corresponding data register without first writing to the Address Pointer Register, so Figure 19 can be omitted.

NOTE: although it is possible to read a data byte from a data register without first writing to the Address Pointer Register, if the Address Pointer Register is already at the correct value, it is not possible to write data to a register without writing to the Address Pointer Register, because the first data byte of a write is always written to the Address Pointer Register.

Alert Response Address

The ADM1029 has an interrupt ($\overline{\text{INT}}$) output that is asserted low when a fault condition occurs. Several $\overline{\text{INT}}$ outputs can be wire OR'd to a common interrupt line. When the host processor receives an interrupt request, it would normally need to read the interrupt status register of each device to identify which device had made the interrupt request. However, the ADM1029 supports the optional Alert Response Address function of the SMBus protocol. When the host processor receives an interrupt request it can send a general call address (0001100) over the bus. The device asserting $\overline{\text{INT}}$ will then send its own slave address

back to the host processor, so the device asserting $\overline{\text{INT}}$ can be identified immediately.

If more than one device is asserting $\overline{\text{INT}}$, all devices will try to respond with their slave address, but an arbitration process ensures that only the lowest address will be received by the host.

After sending its slave address, the first device will then clear its $\overline{\text{INT}}$ output. The host can then check if the $\overline{\text{INT}}$ is still low and send the general call again if necessary until all devices asserting $\overline{\text{INT}}$ have responded.

The ARA function can be disabled by setting Bit 2 of the Configuration Register (address 01h).

Temperature Measurement System

Local Temperature Measurement

The ADM1029 contains an on-chip bandgap temperature sensor, whose output is digitized by the on-chip ADC. The temperature data is stored in the Local Temp Value Register (address A0h). As both positive and negative temperatures can be measured, the temperature data is stored in two's complement format, as shown in Table 6. Theoretically, the temperature sensor and ADC can measure temperatures from -128°C to $+127^{\circ}\text{C}$ with a resolution of 1°C , but temperatures outside the operating temperature range of the device cannot be measured by the internal sensor.

Remote Temperature Measurement

The ADM1029 can measure the temperature of one or two remote diode-connected transistors, connected to Pins 13 and 14 and/or 16 and 17. The data from the temperature measurements is stored in the Remote 1 and Remote 2 Temp Value Registers (addresses A1h and A2h).

If two remote temperature measurements are not required, Pins 16 and 17 can be reconfigured as general-purpose logic I/O pins, as explained later.

The forward voltage of a diode or diode-connected transistor, operated at a constant current, exhibits a negative temperature coefficient of about $-2\text{ mV}/^{\circ}\text{C}$. The absolute value of V_{BE} varies from device to device and individual calibration is required to null this out so, unfortunately, the technique is unsuitable for mass production.

The technique used in the ADM1029 is to measure the change in V_{BE} when the device is operated at two different currents.

This is given by:

$$\Delta V_{\text{BE}} = \frac{KT}{q} \times \ln(N) \quad (\text{eq. 1})$$

where:

K is Boltzmann's constant

q is charge on the carrier

T is absolute temperature in Kelvins

N is ratio of the two currents

Figure 21 shows the input signal conditioning used to measure the output of a remote temperature sensor. This figure shows the external sensor as a substrate transistor,

provided for temperature monitoring on some microprocessors, but it could equally well be a discrete transistor.

If a discrete transistor is used, the collector will not be grounded, and should be linked to the base. If a PNP

transistor is used, the base is connected to the D- input and the emitter to the D+ input. If an NPN transistor is used, the emitter is connected to the D- input and the base to the D+ input.

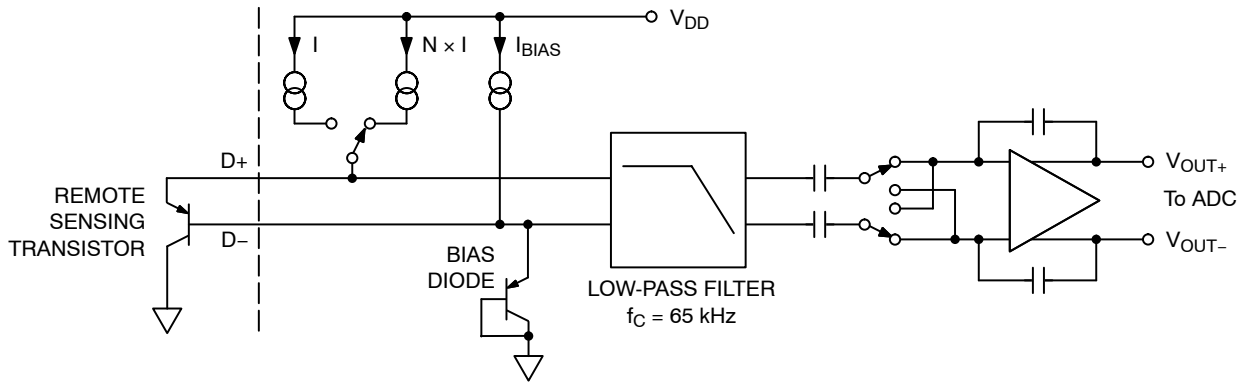


Figure 21. Signal Conditioning for Remote Diode Temperature Sensors

To prevent ground noise interfering with the measurement, the more negative terminal of the sensor is not referenced to ground, but biased above ground by an internal diode at the D- input. If the sensor is used in a noisy environment, a capacitor of value up to 1000 pF may be placed between the D+/D- pins.

To measure ΔV_{BE} , the sensor is switched between operating currents of I and $N \times I$. The resulting waveform is passed through a 65 kHz low-pass filter to remove noise, and to a chopper-stabilized amplifier that performs the functions of amplification and rectification of the waveform to produce a dc voltage proportional to ΔV_{BE} . This voltage is measured by the ADC to give a temperature output in 8-bit two's complement format. To further reduce the effects of noise, digital filtering is performed by averaging the results of 16 measurement cycles. An external temperature measurement takes nominally 9.6 ms.

The results of external temperature measurements are stored in 8-bit, two's complement format, as illustrated in Table 6.

Offset Registers

Digital noise and other error sources can cause offset errors in the temperature measurement, particularly on the remote sensors. The ADM1029 offers a way to minimize these effects. The offsets on the three temperature channels can be measured during system characterization and stored as two's complement values in three offset registers at addresses 30h to 32h. The offset values are automatically added to, or subtracted from, the temperature values, depending on whether the two's complement number corresponds to a positive or negative offset. Offset values from -15°C to $+15^{\circ}\text{C}$ are allowed.

The default value in the offset registers is zero, so if no offsets are programmed, the temperature measurements are unaltered.

Temperature Limits

The contents of the Local and Remote Temperature Value Registers (addresses A0h to A2h) are compared to the contents of the High and Low Limit Registers at addresses 90h to 92h and 98h to 9Ah. How the ADM1029 responds to overtemperature/undertemperature conditions depends on the status of the Temperature Fault Action Registers (addresses 40h to 42h). The response of $\overline{\text{CFAULT}}$, $\overline{\text{INT}}$, and fan-speed-to-temperature events depends on the setting of these registers, as explained later.

Table 6. TEMPERATURE DATA FORMAT

| Temperature | Digital Output |
|------------------------|----------------|
| -128°C | 1000 0000 |
| -125°C | 1000 0011 |
| -100°C | 1001 1100 |
| -75°C | 1011 0101 |
| -50°C | 1100 1110 |
| -25°C | 1110 0111 |
| 0°C | 0000 0000 |
| $+10^{\circ}\text{C}$ | 0000 1010 |
| $+25^{\circ}\text{C}$ | 0001 1001 |
| $+50^{\circ}\text{C}$ | 0011 0010 |
| $+75^{\circ}\text{C}$ | 0100 1011 |
| $+100^{\circ}\text{C}$ | 0110 0100 |
| $+125^{\circ}\text{C}$ | 0111 1101 |
| $+127^{\circ}\text{C}$ | 0111 1111 |

Layout Considerations

Digital boards can be electrically noisy environments, and care must be taken to protect the analog inputs from noise, particularly when measuring the very small voltages from a remote diode sensor. The following precautions should be taken:

1. Place the ADM1029 as close as possible to the remote sensing diode. Provided that the worst noise sources such as clock generators, data/address buses, and CRTs are avoided, this distance can be 4 to 8 inches.
2. Route the D+ and D- tracks close together, in parallel, with grounded guard tracks on each side. Provide a ground plane under the tracks if possible.
3. Use wide tracks to minimize inductance and reduce noise pickup. Ten mil track minimum width and spacing is recommended.

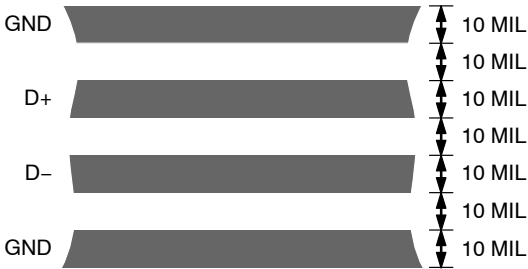


Figure 22. Arrangement of Signal Tracks

4. Try to minimize the number of copper/solder joints, which can cause thermocouple effects. Where copper/solder joints are used, make sure that they are in both the D+ and D- path and at the same temperature. Thermocouple effects should not be a major problem as 1°C corresponds to about 240 μV, and thermocouple voltages are about 3 μV/°C of temperature difference. Unless there are two thermocouples with a big temperature differential between them, thermocouple voltages should be much less than 200 μV.
5. Place 0.1 μF bypass and 1000 pF input filter capacitors close to the ADM1029.
6. If the distance to the remote sensor is more than 8 inches, the use of twisted pair cable is recommended. This will work up to about 6 to 12 feet.
7. For really long distances (up to 100 feet), use shielded twisted pair such as Belden #8451 microphone cable. Connect the twisted pair to D+ and D- and the shield to GND close to the ADM1029. Leave the remote end of the shield unconnected to avoid ground loops.

Because the measurement technique uses switched current sources, excessive cable and/or filter capacitance can affect the measurement. When using long cables, the filter capacitor may be reduced or removed.

Cable resistance can also introduce errors. 1 Ω series resistance introduces about 0.5°C error.

Temperature-related Registers

Table 7 is a list of registers on the ADM1029 that are specific to temperature measurement and control.

Table 7. TEMPERATURE-SPECIFIC REGISTERS

| Address | Description |
|---------|------------------------------|
| 0x06 | Temp Devices Installed |
| 0x30 | Local Temp Offset |
| 0x31 | Remote 1 Temp Offset |
| 0x32 | Remote 2 Temp Offset |
| 0x40 | Local Temp Fault Action |
| 0x41 | Remote 1 Temp Fault Action |
| 0x42 | Remote 2 Temp Fault Action |
| 0x48 | Local Temp Cooling Action |
| 0x49 | Remote 1 Temp Cooling Action |
| 0x4A | Remote 2 Temp Cooling Action |
| 0x80 | Local Temp TMIN |
| 0x81 | Remote 1 Temp TMIN |
| 0x82 | Remote 2 Temp TMIN |
| 0x88 | Local Temp TRANGE/THYST |
| 0x89 | Remote 1 Temp TRANGE/THYST |
| 0x8A | Remote 2 Temp TRANGE/THYST |
| 0x90 | Local Temp High Limit |
| 0x91 | Remote 1 Temp High Limit |
| 0x92 | Remote 2 Temp High Limit |
| 0x98 | Local Temp Low Limit |
| 0x99 | Remote 1 Temp Low Limit |
| 0x9A | Remote 2 Temp Low Limit |
| 0xA0 | Local Temp Value |
| 0xA1 | Remote 1 Temp Value |
| 0xA2 | Remote 2 Temp Value |

The flowchart in Figure 23 shows how to configure the ADM1029 to measure temperature. It also shows how to configure the ADM1029’s behavior for out-of-limit temperature measurements.

Fan Interfacing

The ADM1029 can be interfaced to many types of fan. It can be used to control the speed of a simple two-wire fan. It can measure the speed of a fan with a tach output, and it can accept a logic input from fans with a FAULT output. By means of a shorting link in the fan connector it can also determine if a fan is present or not and if fans have been hot-swapped.

The ADM1029 can control or monitor one or two fans. Bits 0 and 1 of the Fans Supported In System Register (03h) tell the ADM1029 how many fans it should be controlling/monitoring.

In the following descriptions “installed” means that the corresponding bit of register 03h is set and the ADM1029

expects to see a fan interfaced to it. It does not necessarily mean that the fan is actually, physically, connected.

If a fan is installed, events such as a fault output and hot-swapping of the fan can cause \overline{INT} and \overline{CFAULT} to be asserted, unless they are masked for that particular event. If a fan is not installed, but is still physically connected to the ADM1029, these events will be ignored with respect to

asserting \overline{INT} or \overline{CFAULT} , but will still be reflected in the corresponding Fan Status Register.

Setting Bit 0 indicates that Fan 1 is installed and is set to 1 at power-up by default. Setting Bit 1 indicates that Fan 2 is installed and depends on the state of Pin 18 (TMIN/INSTALL) at power-up.

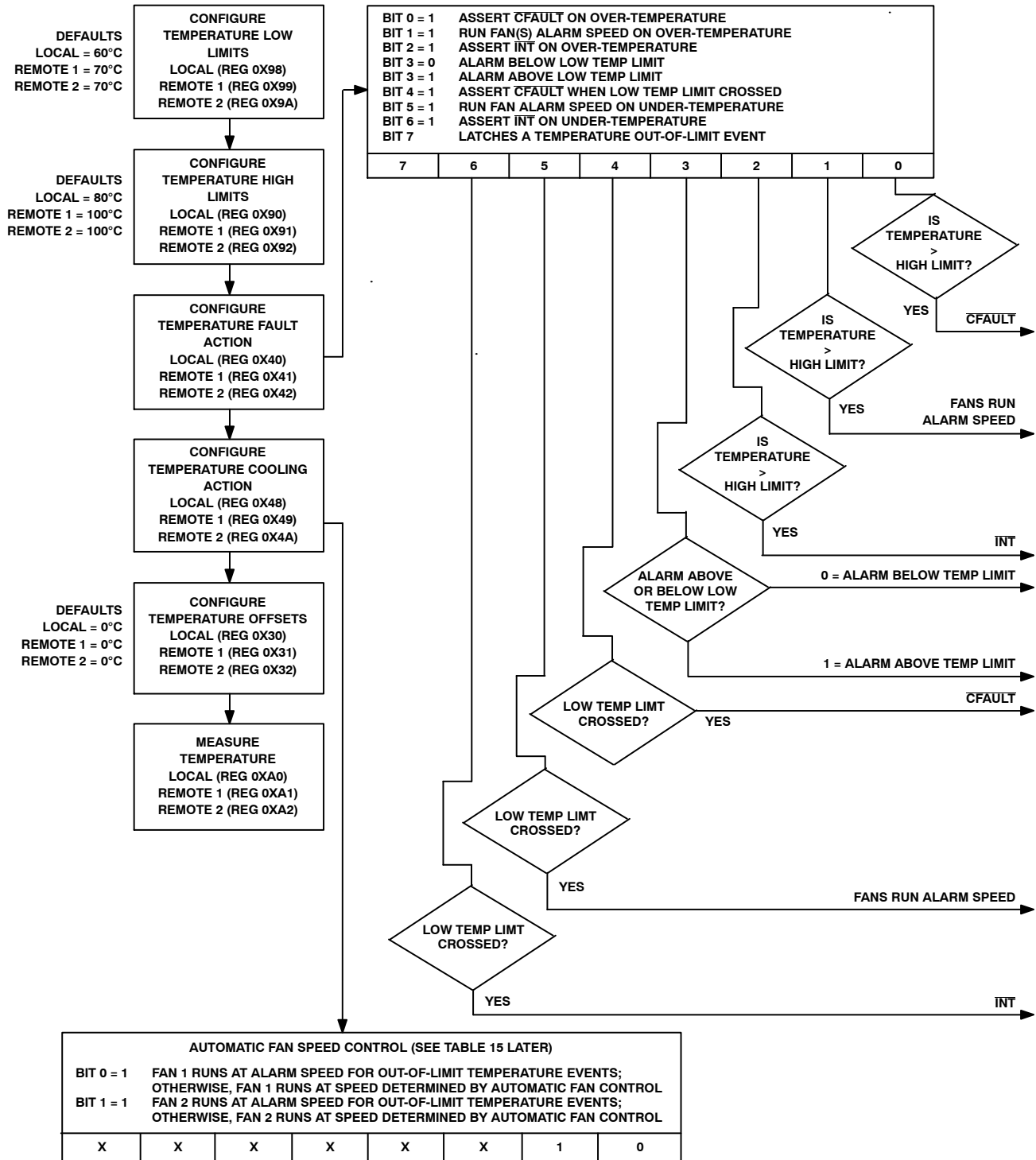


Figure 23. Temperature Sensing Flowchart

If two fans are installed, Bit 0 would be 1 by default and Pin 18 would be tied high* to set Bit 1. If only one fan is installed, it would normally be Fan 1 and Pin 18 would be tied low* to clear Bit 1. However, both of these bits can be modified by writing to the register, so it is possible to have Fan 2 installed and not Fan 1, or even have no fans installed.

* Note that Pin 18 also sets TMIN for automatic fan speed control. If this function is used, Pin 18 would be set to some other level according to Table 13.

FAULT Inputs/Outputs

The ADM1029 can be used with fans that have a fault output which indicates if the fan has stalled or failed. If one or both of the FAULT inputs (Pin 2 or Pin 23) goes low, both INT and CFAULT will be asserted.

Events on the fault inputs are also reflected in Bits 2 and 3 of the corresponding Fan Status Registers at addresses 10h and 11h. Bit 2 reflects the inverse state of the FAULT pin (0 if FAULT is high, 1 if FAULT is low), while Bit 3 is latched high if a FAULT input goes low. It must be cleared by writing a zero to it.

If the fan(s) being used do not have a FAULT output, the FAULT input(s) on the ADM1029 should be pulled high to VCC.

The FAULT pins can also be configured as open-drain outputs by setting Bit 5 of the corresponding Fan Fault Action Register (18h or 19h). If a FAULT pin is configured as an output, it will still function as an input. This means that when a fault input occurs it will be latched low by the fault output, even if the fault input is removed. The fault output can be used to drive a fan failure indicator such as an LED.

If the FAULT pin is used as an output, any input to the FAULT pin should also be open-drain. This will avoid the fault input trying to source a high current into the FAULT pin if the fault input goes high while the fault output is low.

Fan Present Inputs

The fan PRESENT signal is implemented by a shorting link to ground in the fan connector. When the fan is plugged in, the corresponding PRESENT input (Pin 4 or Pin 21) on the ADM1029 is pulled low. If the fan is unplugged, the PRESENT input will be pulled high. INT and CFAULT will be asserted (unless masked) and the event will be reflected in Bits 0 and Bit 1 of the corresponding Fan Status Register.

Appearance or disappearance of a PRESENT input signal during normal operation signals to the ADM1029 that a fan has been hot-plugged or unplugged. INT and CFAULT will be asserted (unless masked). When a fan is hot-plugged, Bit 7 of the corresponding Fan Status Register will be set and a Fan Free Wheel Test commences automatically.

Fan Speed Measurement

The fan counter does not count the fan tach output pulses directly, because at low fan speeds it would take several seconds to accumulate a reasonably large and accurate count. Instead, the period of the fan revolution is measured

by gating an onchip oscillator into the input of an 8-bit counter.

The fan speed measuring circuit is initialized on the first rising edge of a fan tach pulse after monitoring is enabled by setting Bit 4 of the Configuration Register. It then starts counting on the rising edge of the second tach pulse and counts for four fan tach periods, until the rising edge of the sixth tach pulse, or until the counter overranges if the fan tach period is too long.

After the speed of the first fan has been measured, the speed of the second fan (if installed) will be measured in the same way. The measurement cycle will repeat until monitoring is disabled. The fan speed measurements are stored in the Fan Tach Value registers at addresses 70h and 71h.

If both fans are installed, Fan 1 will be measured first. If only one fan is installed, the ADM1029 will still try to measure both fans, starting with Fan 1, but the measurement on the noninstalled fan will time out when the Fan Tach Value count overranges.

The fan speed count is given by:

$$\text{Count} = f \times 4 \times 60/R/N \tag{eq. 2}$$

where:

f is oscillator frequency in Hz

factor 4 is because 4 tach periods are counted

factor 60 is to convert minutes to seconds

R = fan speed in RPM

N is number of tach pulses per revolution

The frequency of the oscillator can be adjusted to suit the expected frequency range of the fan tach pulses, which depends on the fan speed and the number of tach pulses produced for each revolution of the fan, which is either 1, 2, or 4. The oscillator frequency is set by Bits 7 and 6 of the Fan Configuration Registers (68h for Fan 1 and 69h for Fan 2).

Table 8. OSCILLATOR FREQUENCIES

| Bit 7 | Bit 6 | Oscillator Frequency (Hz) |
|-------|-------|---------------------------|
| 0 | 0 | Measurement Disabled |
| 0 | 1 | 470 |
| 1 | 0 | 940 |
| 1 | 1 | 1880 |

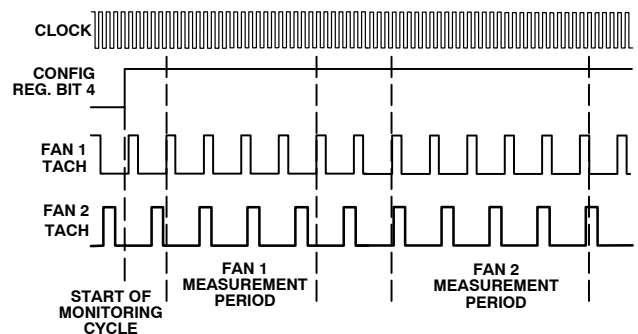


Figure 24. Fan Speed Measurement

Fan Speed Limits

Fans generally do not overspeed if run from the correct voltage, so the failure condition of interest is under-speed due to electrical or mechanical failure. For this reason only low-speed limits are programmed into the Tach Limit Registers for the fans. These registers are at address 78h for Fan 1 and 79h for Fan 2. It should be noted that, since fan period rather than speed is being measured, the fan speed count will be larger the slower the fan speed. Therefore a fan failure fault will occur when the measurement *exceeds* the limit value.

For the most accurate fan failure indication, the oscillator frequency should be chosen to give as large a limit value as possible without the counter overranging. A count close to 3/4 full-scale or 191 is the optimum value.

For example, if a fan produces two tach pulses per revolution and the fan failure speed is to be 600 rpm, the oscillator frequency should be set to 940 Hz. This will give a count at the fail speed of:

$$940 \times 4 \times 60/600/2 = 188 \quad (\text{eq. 3})$$

If the oscillator frequency were only 470 Hz, the count would be 94, while an oscillator frequency of 1880 Hz cannot be used because the count would be 376 and the counter would overrange.

Fan Monitoring Cycle Time

Five complete tach periods are required to carry out a fan speed measurement. Therefore, if the start of a fan measurement just misses a rising edge, the measurement can take almost six tach periods for each fan.

The worst-case monitoring cycle time is when both fans are under speed and the fan speed counter counts up to its maximum value. The actual count takes 256 oscillator pulses over four tach periods, plus a further two tach periods or 128 oscillator pulses before the count starts. The total monitoring cycle time is therefore:

$$t_{\text{MEAS}} = 384/f_{\text{OSC}(\text{FAN } 1)} + 384/f_{\text{OSC}(\text{FAN } 2)} \quad (\text{eq. 4})$$

In order to read a valid result from the Fan Tach Value Registers, the total monitoring time allowed after starting the monitoring cycle should be greater than this.

Tach Signal Conditioning

Signal conditioning in the ADM1029 accommodates the slow rise and fall times typical of fan tachometer outputs. The maximum input signal range is 0 V to 5 V, even if V_{CC} is less than 5 V. In the event that these inputs are supplied from fan outputs that exceed 0 V to 5 V, either resistive attenuation of the fan signal or diode clamping must be included to keep inputs within an acceptable range.

Figures 25 a to 28 show circuits for most common fan tach outputs.

If the fan tach output has a resistive pull-up to V_{CC}, it can be connected directly to the fan input, as shown in Figure 25.

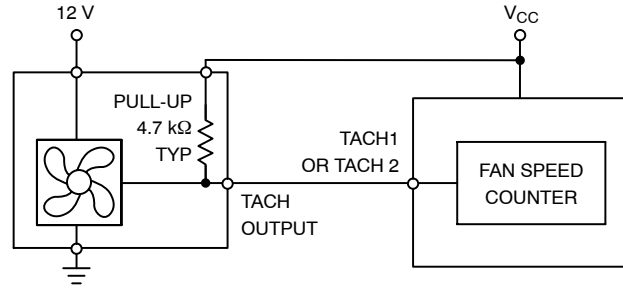
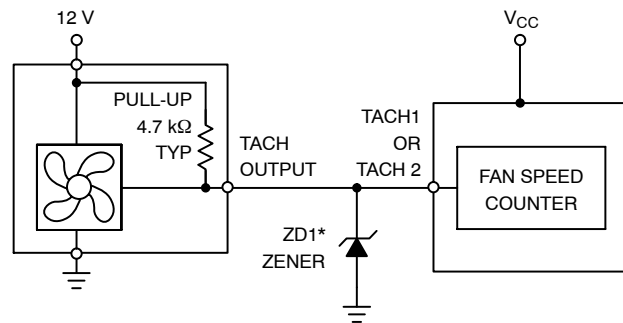


Figure 25. Fan with Tach Pull-up to +V_{CC}

If the fan output has a resistive pull-up to 12 V (or other voltage greater than 6.5 V), the fan output can be clamped with a Zener diode, as shown in Figure 26. The Zener voltage should be chosen so that it is greater than V_{IH} but less than 6.5 V, allowing for the voltage tolerance of the Zener. A value of between 3 V and 5 V is suitable.



* Choose ZD1 Voltage Approx. 0.8 × V_{CC}

Figure 26. Fan with Tach. Pull-up to Voltage > 6.5 V (e.g., 12 V) Clamped with Zener Diode

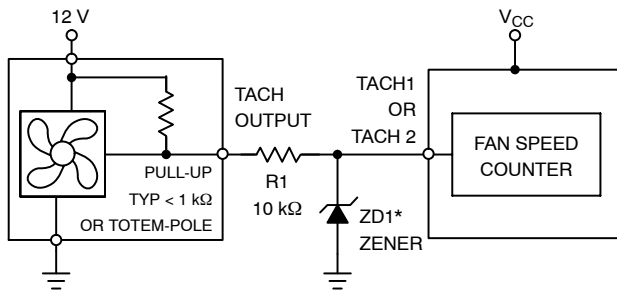
If the fan has a strong pull-up (less than 1 kΩ) to 12 V, or a totem-pole output, a series resistor can be added to limit the Zener current, as shown in Figure 27. Alternatively, a resistive attenuator may be used, as shown in Figure 28.

R1 and R2 should be chosen such that:

$$2 \text{ V} < V_{\text{PULLUP}} \times R2 / (R_{\text{PULLUP}} + R1 + R2) < 5 \text{ V} \quad (\text{eq. 5})$$

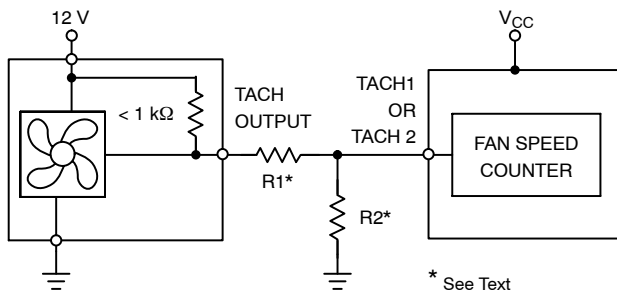
The fan inputs have an input resistance of nominally 160 kΩ to ground, so this should be taken into account when calculating resistor values.

With a pull-up voltage of 12 V and pull-up resistor less than 1 kΩ, suitable values for R1 and R2 would be 100 kΩ and 47 kΩ. This will give a high input voltage of 3.83 V.



* Choose ZD1 Voltage Approx. $0.8 \times V_{CC}$

Figure 27. Fan with Strong Tach. Pull-up to $> V_{CC}$ or Totem-pole Output, Clamped with Zener and Resistor



* See Text

Figure 28. Fan with Strong Tach. Pull-up to $> V_{CC}$ or Totem-pole Output, Attenuated with R1/R2

Fan Speed Control

Fan speed is controlled using pulsewidth modulation (PWM). The PWM outputs (Pins 1 and 24) give a pulse output with a programmable frequency (default 250 Hz) and a duty-cycle defined by the contents of the relevant fan speed register, or by the automatic fan speed control when this mode is enabled. The speed at which a fan runs is determined by fault conditions and the settings of various control and mask registers.

A fan can only be driven if it is defined as being supported by the controller in register 02h. The ADM1029 supports up to two fans, so Bits 0 and 1 of this register are permanently set. This register is read-only.

A fan will only be driven if it is defined as being supported by the system in register 03h. If Bit 0 of this register is set, it indicates that Fan 1 is installed. This is the power-on default. If Bit 1 is set, it indicates that Fan 2 is installed. This bit is set by the state of Pin 18 at power-up. This register is read/write and the default/power-on setting can be overwritten. If a fan is not supported in register 03h it will not be driven, even if it is physically installed.

The PWM outputs are open-drain outputs. They require pull-up resistors and must be amplified and buffered to drive the fans.

Minimum Speed

The normal operating fan speed is set by the four LSBs of the Fan 1 and Fan 2 Minimum/Alarm Speed Registers (addresses 60h, 61h). These bits also set the minimum speed

at which a fan will run in automatic control mode. These bits should be set to 05h. This corresponds to 33% PWM duty-cycle, which is the lowest speed at which most fans will run reliably.

Fan(s) will run at minimum speed if there is no fault condition, automatic fan speed is disabled, and there are no other overriding conditions.

Alarm Speed

Alarm speed is set by the four MSBs of the Fan 1 and Fan 2 Minimum/Alarm Speed Registers (addresses 60h, 61h). Fan(s) will run at alarm speed if any of the following conditions occurs, assuming the condition has not been masked out using the Fan Event Mask Registers:

- Setting Bit 0 of register 07h forces Fan 1 to run at alarm speed (Set Fan x Alarm Speed Register).
 - Setting Bit 1 of register 07h forces Fan 2 to run at alarm speed (Set Fan x Alarm Speed Register).
- If monitoring is disabled by clearing Bit 4 of the Configuration Register, all fans controlled by the ADM1029 will run at alarm speed.
- When a GPIO pin is configured as an input by setting Bit 0 of the corresponding GPIO Behavior Register, and Bit 4 of the GPIO Behavior Register is also set, all fans controlled by the ADM1029 will go to alarm speed when the logic input is asserted (high or low, depending on the polarity bit, Bit 1 of the corresponding GPIO Behavior Register).
 - If Bit 7 of a Fan Fault Action Register is set (18h – Fan 1, 19h – Fan 2) the corresponding fan will go to alarm speed when \overline{CFAULT} is pulled low by an external source.
 - If a tach measurement exceeds the set limit, all fans controlled by the ADM1029 will run at alarm speed.
 - If a fan fault input pin is asserted (low), all fans controlled by the ADM1029 will run at alarm speed.
 - If Bit 1 of a Temp. Fault Action Register is set (40h – Local Sensor, 41h – Remote 1, 42h – Remote 2), all fans controlled by the ADM1029 will go to alarm speed if the corresponding temperature high limit is exceeded.
 - If Bit 5 of a Temp. Fault Action Register is set, all fans controlled by the ADM1029 will go to alarm speed if a temperature input crosses the corresponding temperature low limit, the direction depending on the setting of Bit 3 of the Temp. Control register. (0 = alarm when input goes below low limit, 1 = alarm when input goes above low limit).
 - If Bit 1 of an AIN Behavior Register is set (50h – AIN0, 51h – AIN1), all fans controlled by the ADM1029 will go to alarm speed if the corresponding AIN high limit is exceeded.
 - If Bit 5 of an AIN Behavior Register is set, all fans controlled by the ADM1029 will go to alarm speed if

an analog input crosses the corresponding AIN low limit, the direction depending on the setting of Bit 3 of the AIN control register. (0 = alarm when input goes below low limit, 1 = alarm when input goes above low limit).

- If a thermal override occurs while the ADM1029 is in sleep mode, all fans controlled by the ADM1029 will run at alarm speed.

Hot-plug Speed

Hot-plug speed is set by the four LSBs of the Fan 1 and Fan 2 Configuration Registers (addresses 68h and 69h). The PWM frequency is set by Bits 4 and 5 of these registers, while Bits 6 and 7 set the number of pulses per revolution for fan speed measurement.

Fan(s) will run at hot-plug speed if any of the following conditions occur, assuming the condition has not been masked using the Fan Event Mask Registers:

- If a fan is unplugged, the other fan (if any) controlled by the ADM1029 will run at hot-plug speed.
- Setting Bit 0 of register 08h forces Fan 1 to run at hot-plug speed (Set Fan x Hot-plug Speed).
- Setting Bit 1 of register 08h forces Fan 2 to run at hot-plug speed (Set Fan x Hot-plug Speed).
- When a GPIO pin is configured as an input by setting Bit 0 of the corresponding GPIO Behavior Register, and Bit 5 of the GPIO Behavior Register is also set, all fans controlled by the ADM1029 will go to hot-plug speed when the logic input is asserted (high or low, depending on the polarity bit, Bit 1 of the corresponding GPIO Behavior Register).
- If Bit 6 of a Fan Fault Action Register is set (18h for Fan 1, 19h for Fan 2) the corresponding fan will go to hot-plug speed when $\overline{\text{CFAULT}}$ is pulled low by an external source.

NOTE: if operating conditions and register settings are such that both alarm speed and hot-plug speed would be triggered, which one takes priority is determined by Bit 5 of the Fan 1 and Fan 2 Status Registers (addresses 10h and 11h). If this bit is set, hot-plug speed takes priority. If it is cleared, alarm speed takes priority.

Full Speed

Fans will run at full speed if the corresponding bits in the Set Fan x Full Speed Register (address 09h) are set: Bit 0 for Fan 1 and Bit 1 for Fan 2.

Fan Mask Registers

The effect of various conditions on fan speed can be enabled or disabled by mask registers. In all these registers, setting Bit 0 of the register enables Fan 1 to go to alarm speed or hot-plug speed if the corresponding event occurs, while setting Bit 1 enables Fan 2. Clearing these bits masks the effect of the corresponding event on fan speed.

Registers 20h and 21h are Fan Event Mask Registers. Bits 0 and 1 of register 20h enable (bit set) or mask (bit clear) the effect of a Fan 1 fault (underspeed or fault input) on

Fan 1 and Fan 2 speed. Similarly, Bits 0 and 1 of register 21h enable (bit set) or mask (bit clear) the effect of a Fan 2 Fault on Fan 1 and Fan 2 speed.

Registers 38h to 3Eh are GPIO X Event Mask Registers. Bits 0 and 1 of these registers enable or mask the effect of a GPIO assertion on Fan 1 and Fan 2 speed.

NOTE: Registers 48h to 4Ah are Temp. Cooling Action Registers. Bits 0 and 1 of these registers enable or mask the effect of Local, Remote 1, and Remote 2 temperature faults on Fan 1 and Fan 2 speed. These registers also determine which temperature channel controls each fan in automatic fan speed control mode, as described later.

Registers 58h and 59h are AIN Event Mask Registers. Bits 0 and 1 of these registers enable or mask the effect of an AIN out-of-limit event on Fan 1 and Fan 2 speed.

Modes of Operation

The ADM1029 has three different modes of operation. These modes determine the behavior of the system.

1. PWM Duty Cycle Select Mode (directly sets fan speed under software control)
2. Thermal Trip Mode
3. Automatic Fan Speed Control Mode

PWM Duty Cycle Select Mode

The ADM1029 may be operated under software control by clearing bits <1:0> of the three Temp Cooling Action Registers (Reg 0x48, 0x49, 0x4A). Once under Software Control, each fan speed may be controlled by programming values of PWM Duty Cycle in to the device. Values of PWM Duty Cycle between 0% to 100% may be written to the four LSBs of the Fan 1 and Fan 2 Minimum/Alarm Speed Registers (addresses 60h, 61h). to control the speed of each fan. Table 9 shows the relationship between hex values written to the Minimum/Alarm Speed Registers and PWM duty cycle obtained.

Table 9. PWM DUTY CYCLE SELECT MODE

| Hex Value | PWM Duty Cycle |
|-----------|-----------------|
| 00 | 0% |
| 01 | 7% |
| 02 | 14% |
| 03 | 20% |
| 04 | 27% |
| 05 | 33% Recommended |
| 06 | 40% |
| 07 | 47% |
| 08 | 53% |
| 09 | 60% |
| 0A | 67% |
| 0B | 73% |
| 0C | 80% |
| 0D | 87% |
| 0E | 93% |
| 0F | 100% (Default) |

It is recommended that the minimum PWM duty cycle be set to 33% (0x05). This has been determined to be the lowest PWM duty cycle that most fans will run reliably at. Note that the PWM duty cycle values programmed in to these registers also define the PWM duty cycle that the fans will turn on at, in Automatic Fan Speed Control Mode. It is recommended that after power-up, the PWM duty cycle is set to 33% before enabling Automatic Fan Speed Control.

Thermal Trip Mode

The ADM1029 can thermally trip the fan(s) for simple on/off fan control, or 2-speed fan control. For example, a fan can be programmed to run at 33% duty cycle. If the temperature exceeds the high temperature limit set for that temperature channel, the fan can automatically trip and run at Alarm Speed. The fan will continue to run at Alarm Speed even if the temperature error condition subsides, until the Latch Temp Fault bit (Bit 7 of the Temp x Fault Action Reg) is cleared in software by writing a 0 to it. To configure Fan 1 normally, run at 33% but to thermally trip to Alarm Speed for a Remote 2 measured temperature of 70°C, set up the following registers:

1. Configure the normal PWM duty cycle for Fan 1 to 33%.

Fan 1 Minimum/Alarm Speed Reg (0x60) = 0xF5

2. Set the Remote 2 High Temperature Limit = 70°C.

Remote 2 Temp High Limit Reg (0x92) = 0x46

3. Configure Alarm Speed on Overtemperature function for Remote 2 Temperature channel.

Set Bit 1 of Temp 2 Fault Action Reg (0x42)

4. Enable Fan 1 to be controlled by Remote 2 Temperature.

Set Bit 0 of Temp 2 Cooling Action Reg (0x4A)

Once the fan thermally trips to Alarm Speed, it will continue to run at Alarm Speed until the temperature drops below the High Temperature Limit and the Latch Temp Fault bit (Bit 7 of the Temp 2 Fault Action Reg) is cleared to 0.

Event Latch Bits

Certain events that occur will cause latch bits to be set in various registers on the ADM1029. Once a latch bit is set, it will need to be cleared by software for the system to return to normal operation. To detect if a latch bit has been set, the $\overline{\text{INT}}$ pin can be used to signal a latch event to the system supervisor. Alternatively, the Status Registers can be polled periodically, and any latch bits that are set can be cleared. The events that cause latch bits to be set are:

1. Thermal Events. If the fan is run at Alarm Speed on Overtemperature or Undertemperature, this will set the Latch Temp Fault bit (Bit 7 of the Temp x Fault Action Registers 0x40–0x42).

2. Missing Fan. If a fan is missing, i.e., has been unplugged, the Missing Latch bit (Bit 1 of Fan x Status Registers) is set.
3. Hotplugged Fan. If a new fan is inserted into the system, Bit 7 (Hotplug Latch bit) of the Fan x Status Register is set.
4. FAULT Asserted. If the fan becomes stuck and its FAULT output asserts low, Bit 2 (Fault Latch bit) of the Fan x Status register is set.
5. TACH Failure. If the fan runs underspeed or becomes stuck, then Bit 6 (Tach Fault Latch Bit) of the Fan x Status Register is set.

Automatic Fan Speed Control

The ADM1029 has a local temperature channel and two remote temperature channels, which may be connected to an on-chip diode-connected transistor on a CPU or a general-purpose discrete transistor. These three temperature channels may be used as the basis for an automatic fan speed control loop to drive fans using Pulsewidth Modulation (PWM).

How Does The Control Loop Work?

The Automatic Fan Speed Control Loop is shown in Figure 29.

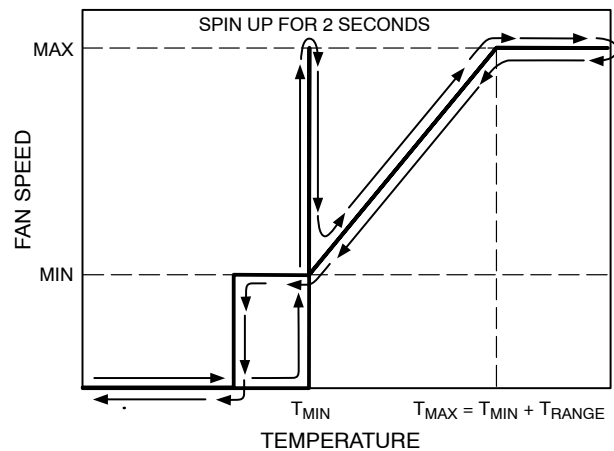


Figure 29. Automatic Fan Speed Control

In order for the fan speed control loop to work, certain loop parameters need to be programmed in to the device:

1. **T_{MIN}**. This is the temperature at which a fan should switch on and run at minimum speed. The fan will only turn on once the temperature being measured rises above the T_{MIN} value programmed. The fan will spin up for a predetermined time (default = 2 secs). See Fan Spin-up section for more details.
2. **T_{RANGE}**. This will be the temperature range over which the ADM1029 will automatically adjust fan speed. As the temperature increases beyond T_{MIN}, the PWM duty cycle will be increased accordingly.

The T_{RANGE} parameter actually defines the fan speed versus temperature slope of the control loop.

3. T_{MAX} . This is defined as the temperature at which a fan will be at its maximum speed. At this temperature, the PWM duty cycle driving the fan will be 100%. T_{MAX} is given by $T_{MIN} + T_{RANGE}$. Since this parameter is the sum of the T_{MIN} and T_{RANGE} parameters, it does *not* need to be programmed into a register on-chip.
4. Programmable hysteresis is included in the control loop to prevent the fans continuously switching on and off if the temperature is close to T_{MIN} . The fans will continue to run until such time as the temperature drops below $T_{MIN} - T_{HYST}$. The four MSBs of the T_{RANGE}/T_{HYST} registers (Registers 0x88, 0x89, 0x8A) contain a temperature hysteresis value that can be programmed from 0001 to 1111. This allows a temperature hysteresis range from 1°C to 15°C for each temperature measurement channel.

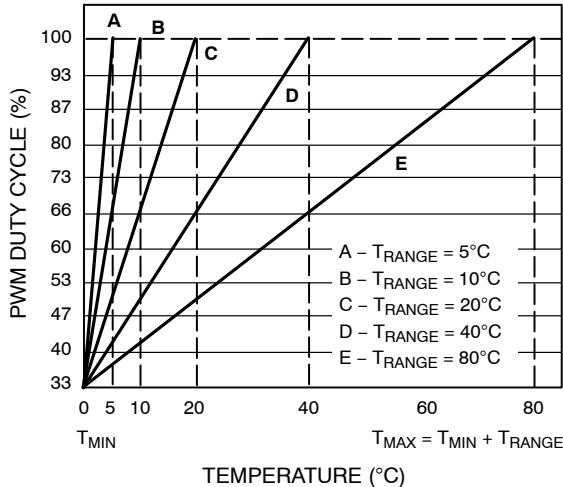


Figure 30. PWM Duty Cycle vs. Temperature Slopes (T_{RANGE})

Figure 30 shows the different control slopes determined by the T_{RANGE} value chosen, and programmed in to the ADM1029. T_{MIN} was set to 0°C to start all slopes from the same point. It can be seen how changing the T_{RANGE} value affects the PWM Duty Cycle vs. Temperature Slope.

Figure 31 shows how for a given T_{RANGE} , changing the T_{MIN} value affects the loop. Increasing the T_{MIN} value will increase the T_{MAX} (temperature at which the fan runs full speed) value, since $T_{MAX} = T_{MIN} + T_{RANGE}$. Note, however, that the PWM Duty Cycle versus Temperature slope remains exactly the same. Changing the T_{MIN} value merely shifts the control slope.

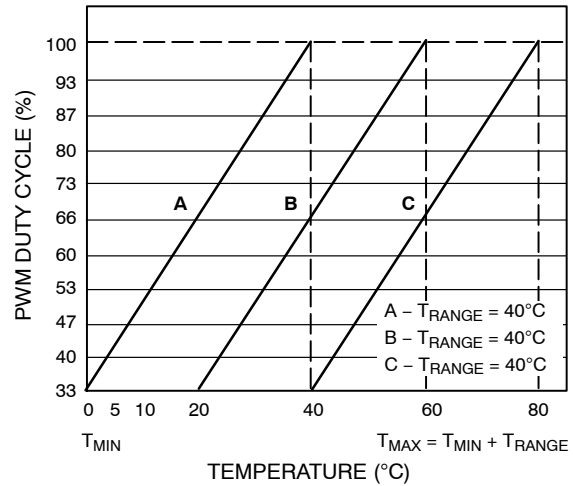


Figure 31. Effect of Increasing T_{MIN} Value on Control Loop

Fan Spin-up

As previously mentioned, once the temperature being measured exceeds the T_{MIN} value programmed, the fan will turn on at minimum speed (default = 33% duty cycle). However, the problem with fans being driven by PWM is that 33% duty cycle is not enough to reliably start the fan spinning. The solution is to spin the fan up for a predetermined time, and once the fan has spun up, its running speed may be reduced in line with the temperature being measured.

The ADM1029 allows fan spin-up times between 1/64 second and 16 seconds. The Fan Spin-up Register (Register 0x0C) allows the spin-up time for the fans to be programmed. Bit 3 of this register, when set, disables fan spin-up for both fans.

Table 10. FAN SPIN-UP TIMES

| Bits 2:0 | Spin-up Times (Fan Spin-up Register) |
|----------|--------------------------------------|
| 000 | 16 Seconds |
| 001 | 8 Seconds |
| 010 | 4 Seconds |
| 011 | 2 Seconds (Default) |
| 100 | 1 Second |
| 101 | 1/4 Second |
| 110 | 1/16 Second |
| 111 | 1/64 Second |

Once the Automatic Fan Speed Control Loop parameters have been chosen, the ADM1029 device may be programmed. The ADM1029 is placed into Automatic Fan

Speed Control Mode by writing to the three Temperature Cooling Action Registers (Registers 0x48, 0x49, 0x4A). The device powers up in Automatic Fan Speed Control Mode by default, as long as the $T_{MIN}/Install$ pin (Pin 18) does not have the disable option selected ($T_{MIN}/Install$ pin tied low or high). The default setting is that both fans will run at the fastest speed calculated by all three temperature channels. The control mode offers flexibility in that the user can decide which temperature channel/channels control each fan (five options).

Table 11. AUTOMATIC MODE FAN BEHAVIOR

| Option | Temperature Cooling Action |
|--------|---|
| 1 | Bit 0 Register 0x49 and/or Bit 1 Reg 0x4A = Remote Temp 1 Controls Fan 1, Remote Temp 2 Controls Fan 2 |
| 2 | Bit 0 Register 0x48 and Bit 1 Register 0x48 = 1 Local Temp Controls Fan 1 and/or Fan 2 |
| 3 | Bit 0 Register 0x49 and Bit 1 Register 0x49 = Remote Temp 1 Controls Fan 1 and/or Fan 2 |
| 4 | Bit 0 Register 0x4A and Bit 1 Register 0x4A = Remote Temp 2 Controls Fan 1 and/or Fan 2 |
| 5 | Bits 0, 1 Reg 0x48, 0x49, 0x4A = 1 Max Speed Calculated by Local and Remote Temperature Channels Controls Fans 1 and/or 2 |

When Option 5 is chosen, this offers increased flexibility. The Local and Remote temperature channels can have independently programmed control loops with different control parameters. Whichever control loop calculates the fastest fan speed based on the temperature being measured, drives both fans.

Figures 32 and 33 show how the fan’s PWM duty cycle is determined by two independent control loops. This is the type of Automode Fan Behavior seen when Bits 0 and 1 of all three Temperature Cooling Action Registers = 11. Figure 32 shows the control loop for the Local Temperature channel. Its T_{MIN} value has been programmed to 20°C, and its T_{RANGE} value is 40°C.

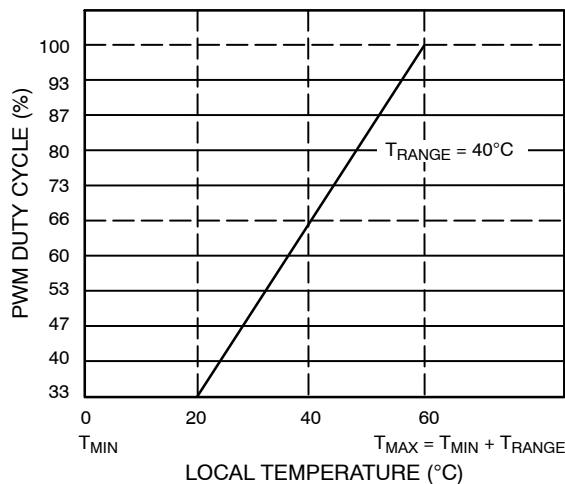


Figure 32. Max Speed Calculated by Local Temperature Control Loop Drive Fan

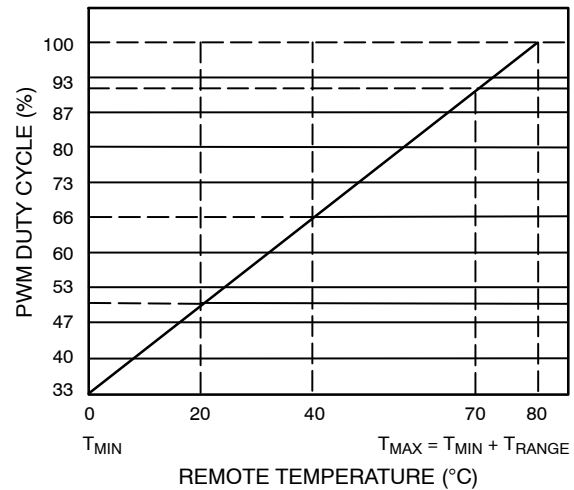


Figure 33. Max Speed Calculated by Remote Temperature Control Loop Drive Fan

The local temperature’s T_{MAX} will thus be 60°C. Figure 33 shows the control loop for the Remote 1 Temperature channel. Its T_{MIN} value has been set to 0°C, while its T_{RANGE} = 80°C. Therefore, the Remote 1 Temperature’s T_{MAX} value will be 80°C.

If both temperature channels measure 40°C, both control loops will calculate a PWM duty cycle of 66%. Therefore, the fans will be driven at 66% duty cycle.

If both temperature channels measure 20°C, the local channel will calculate 33% PWM duty cycle, while the Remote 1 channel will calculate 50% PWM duty cycle. Thus, the fans will be driven at 50% PWM duty cycle. Consider the local temperature measuring 60°C, while the Remote 1 temperature is measuring 70°C. The PWM duty cycle calculated by the local temperature control loop will be 100% (since the temperature = T_{MAX}). The PWM duty cycle calculated by the Remote 1 temperature control loop at 70°C will be approximately 90%. So the fans will run full speed (100% duty cycle). Remember that the fan speed will be based on the fastest speed calculated, and is not necessarily based on the highest temperature measured. Depending on the control loop parameters programmed, a lower temperature on one channel may actually calculate a faster speed than a higher temperature on another channel.

Programming the Automatic Fan Speed Control Loop

1. Program a value for T_{MIN}
2. Program a value for the slope T_{RANGE}
3. $T_{MAX} = T_{MIN} + T_{RANGE}$
4. Program a value for Fan Spin-up Time
5. Program the desired Automatic Fan Speed Control Mode Behavior, i.e., which temperature channel controls each fan

Other Control Loop Parameters?

Having programmed all the above loop parameters, are there any other parameters to worry about?

T_{MIN} was defined as being the temperature at which a fan switched on and ran at minimum speed. This minimum speed should be set to 33%. If the minimum PWM duty cycle is programmed to 33%, the fan control loops will operate as previously described.

It should be noted, however, that changing the minimum PWM duty cycle affects the control loop behavior.

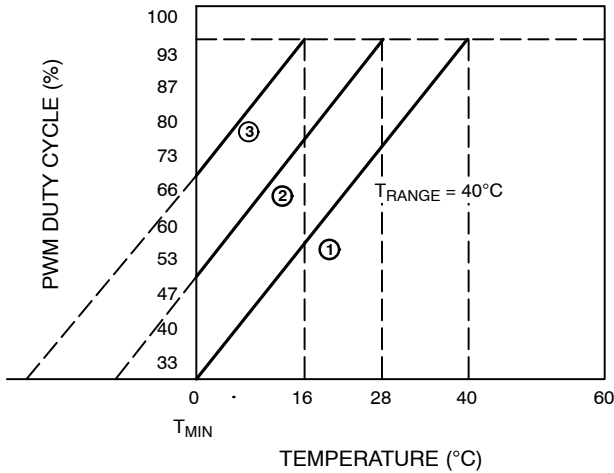


Figure 34. Effect of Changing Minimum Duty Cycle on Control Loop with T_{MIN} and T_{RANGE} Values

Table 12. PWM DUTY CYCLE SELECT MODE

| Decimal Value | PWM Duty Cycle |
|---------------|-----------------|
| 00 | 0% |
| 01 | 7% |
| 02 | 14% |
| 03 | 20% |
| 04 | 27% |
| 05 | 33% Recommended |
| 06 | 40% |
| 07 | 47% |
| 08 | 53% |
| 09 | 60% |
| 10 (0x0A) | 67% |
| 11 (0x0B) | 73% |
| 12 (0x0C) | 80% |
| 13 (0x0D) | 87% |
| 14 (0x0E) | 93% |
| 15 (0x0F) | 100% (Default) |

* Bits <3:0> set the Minimum PWM duty cycle for Automatic Mode. Bits <7:4> set the Alarm Speed PWM duty cycle.

Slope 1 of Figure 34 shows T_{MIN} set to 0°C and the T_{RANGE} chosen is 40°C. In this case, the fan’s PWM duty cycle will vary over the range 33% to 100%. The fan will run full speed at 40°C. If the minimum PWM duty cycle at which the fan runs at T_{MIN} is changed, its effect can be seen on Slopes 2 and 3. Take Case 2, where the minimum PWM duty cycle is reprogrammed from 33% (default) to 53%. The fan

will actually reach full speed at a much lower temperature, 28°C. Case 3 shows that when the minimum PWM duty cycle was increased to 73%, the temperature at which the fan ran full speed was 16°C. So the effect of increasing the minimum PWM duty cycle, with a fixed T_{MIN} and fixed T_{RANGE}, is that the fan will actually reach full speed (T_{MAX}) at a lower temperature than T_{MIN} + T_{RANGE}. How can T_{MAX} be calculated?

In Automatic Fan Speed Control Mode, the registers holding the minimum PWM duty cycle at T_{MIN}, are the Minimum/Alarm Speed Registers (addresses 60h, 61h). Table 12 shows the relationship between the decimal values written to the Minimum/Alarm Speed Registers and PWM duty cycle obtained.

The temperature at which each fan will run full speed (100% duty cycle) is given by:

$$T_{MAX} = T_{MIN} + ((Max\ DC - Min\ DC) \times T_{RANGE}/10) \text{ (eq. 6)}$$

where:

- T_{MAX} = Temperature at which fan runs full speed
- T_{MIN} = Temperature at which fan will turn on
- Max DC = Maximum Duty Cycle (100%) = 15 decimal
- Min DC = Duty Cycle at T_{MIN}, programmed into Fan Speed Config Register (default = 33% = 5 decimal)
- T_{RANGE} = PWM Duty Cycle versus Temperature Slope

Example 1

- T_{MIN} = 0°C, T_{RANGE} = 40°C
- Min DC = 53% = 8 decimal (Table 12)

Calculate T_{MAX}

$$T_{MAX} = T_{MIN} + ((Max\ DC - Min\ DC) \times T_{RANGE}/10)$$

$$T_{MAX} = 0 + ((100\ DC - 53\ DC) \times 40/10) \text{ (eq. 7)}$$

$$T_{MAX} = 0 + ((15 - 8) \times 4) = 28$$

T_{MAX} = 28 °C. (As seen on Slope 2 of Figure 34)

Example 2

- T_{MIN} = 0°C, T_{RANGE} = 40°C
- Min DC = 73% = 11 decimal (Table 12)

Calculate T_{MAX}

$$T_{MAX} = T_{MIN} + ((Max\ DC - Min\ DC) \times T_{RANGE}/10)$$

$$T_{MAX} = 0 + ((100\ DC - 73\ DC) \times 40/10) \text{ (eq. 8)}$$

$$T_{MAX} = 0 + ((15 - 11) \times 4) = 16$$

T_{MAX} = 16 °C. (As seen on Slope 3 of Figure 34)

Example 3

- T_{MIN} = 0°C, T_{RANGE} = 40°C
- Min DC = 33% = 5 decimal (Table 12)

Calculate T_{MAX}

$$T_{MAX} = T_{MIN} + ((Max\ DC - Min\ DC) \times T_{RANGE}/10)$$

$$T_{MAX} = 0 + ((100\ DC - 33\ DC) \times 40/10) \text{ (eq. 9)}$$

$$T_{MAX} = 0 + ((15 - 5) \times 4) = 40$$

T_{MAX} = 40 °C. (As seen on Slope 1 of Figure 34)

ADM1029

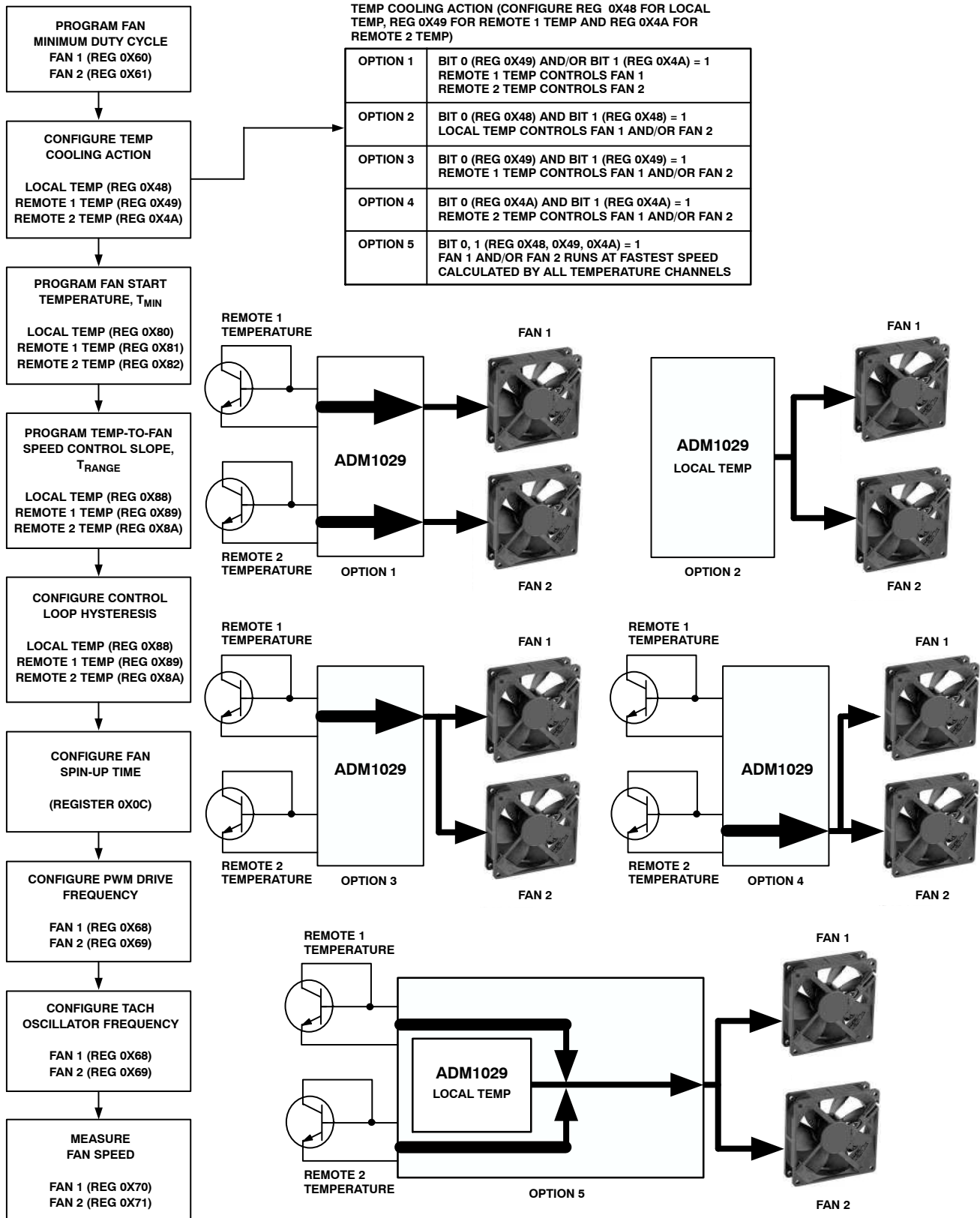


Figure 35. Configuring Automatic Fan Speed Control

Table 13. RESISTOR RATIOS FOR SETTING T_{MIN} AND NUMBER OF FANS INSTALLED USING TMIN/INSTALL PIN (PIN 18)

| 3 MSBs of ADC | Ideal Ratio R2/(R1 + R2) | R1 (kΩ) | R2 (kΩ) | Actual R2/(R1 + R2) | Error (%) | T _{MIN} | Fans Installed |
|---------------|--------------------------|---------|---------|---------------------|-----------|------------------|----------------|
| 111 | N/A | 0 | ∞ | 1 | 0 | Disabled | 2 |
| 110 | 0.8125 | 18 | 82 | 0.82 | 0.75 | 48°C | 2 |
| 101 | 0.6875 | 22 | 47 | 0.6812 | -0.63 | 40°C | 2 |
| 100 | 0.5625 | 12 | 15 | 0.5556 | -0.69 | 32°C | 2 |
| 011 | 0.4375 | 15 | 12 | 0.4444 | 0.69 | 32°C | 1 |
| 010 | 0.3125 | 47 | 22 | 0.3188 | 0.63 | 40°C | 1 |
| 001 | 0.1875 | 82 | 18 | 0.18 | -0.75 | 48°C | 1 |
| 000 | N/A | ∞ | 0 | 0 | 0 | Disabled | 1 |

In this case, since the Minimum Duty Cycle is the default 33%, the equation for T_{MAX} reduces to:

$$T_{MAX} = T_{MIN} + ((Max\ DC - Min\ DC) \times T_{RANGE}/10)$$

$$T_{MAX} = T_{MIN} + ((15 - 5) \times T_{RANGE}/10)$$

$$T_{MAX} = T_{MIN} + (10 \times T_{RANGE}/10) \quad (eq. 10)$$

$$T_{MAX} = T_{MIN} + T_{RANGE}$$

Enabling Automatic Fan Speed Control Using TMIN/INSTALL Pin (Pin 18)

Automatic fan control can also be enabled in hardware by Pin 18 (TMIN/INSTALL). This is an 8-level input with multiple functions, which is sampled only at power-up.

If only one fan is installed, the voltage on Pin 18 should be kept at less than V_{CC}/2, which clears Bit 1 of register 03h. Within this voltage range, four voltage levels define the minimum temperature at which the fan will operate in automatic speed control mode.

If two fans are installed, the voltage on Pin 18 should be between V_{CC}/2 and V_{CC}, which sets Bit 1 of register 03h. Within this voltage range, four voltage levels define the minimum temperature at which the fans will operate in automatic speed control mode.

Resistor values for setting the voltage on Pin 18 are given in Table 13. If automatic fan speed control is not used, Pin 18 can simply be strapped to ground (one fan) or V_{CC} (two fans), depending on how many fans are installed. Under this condition, the fans will run full speed until the device is written to by software to change fan speed.

When automatic fan speed control is enabled at power-up by the TMIN/INSTALL pin, Bit 4 of the Configuration register is set to enable monitoring, and Bits 0 and 1 of all Temp. Cooling Action Registers are set, so any temperature channel will automatically control all fans that are installed.

NOTE: if automatic fan speed control is enabled and an event occurs that would cause a fan to go to alarm or hot-plug speed (e.g., temperature fault), that event will override the automatic fan speed control. If the event affects only one fan, the other fan will remain under automatic control.

Fan-related Registers

Table 14 is a list of registers on the ADM1029 that are specific to fan speed measurement and control:

Table 14. TEMPERATURE-SPECIFIC REGISTERS

| Address | Description |
|---------|------------------------------|
| 0x02 | Fans Supported By Controller |
| 0x03 | Fans Supported In System |
| 0x07 | Set Fan x Alarm Speed |
| 0x08 | Set Fan x Hot-Plug Speed |
| 0x09 | Set Fan x Full Speed |
| 0x10 | Fan 1 Status |
| 0x11 | Fan 2 Status |
| 0x18 | Fan 1 Fault Action |
| 0x19 | Fan 2 Fault Action |
| 0x20 | Fan 1 Event Mask |
| 0x21 | Fan 2 Event Mask |
| 0x48 | Local Temp Cooling Action |
| 0x49 | Remote 1 Cooling Action |
| 0x4A | Remote 2 Cooling Action |
| 0x60 | Fan 1 Minimum/Alarm Speed |
| 0x61 | Fan 2 Minimum/Alarm Speed |
| 0x68 | Fan 1 Configuration |
| 0x69 | Fan 2 Configuration |
| 0x70 | Fan 1 Tach Value |
| 0x71 | Fan 2 Tach Value |
| 0x78 | Fan 1 Tach High Limit |
| 0x79 | Fan 2 Tach High Limit |

Fan Configuration Registers

Registers 0x68 and 0x69 are the Fan 1 and Fan 2 Configuration Registers. These allow the PWM output frequencies to be selected for each fan. The default PWM drive frequency is 250 Hz. Bits <7:6> adjust the fan tach oscillator frequency for fan tach measurements. Bits <3:0> allow the Hot Plug PWM duty cycle value for each fan to be programmed.

Figures 36 and 37 show how to configure the fans to handle thermal or fault events.

ADM1029

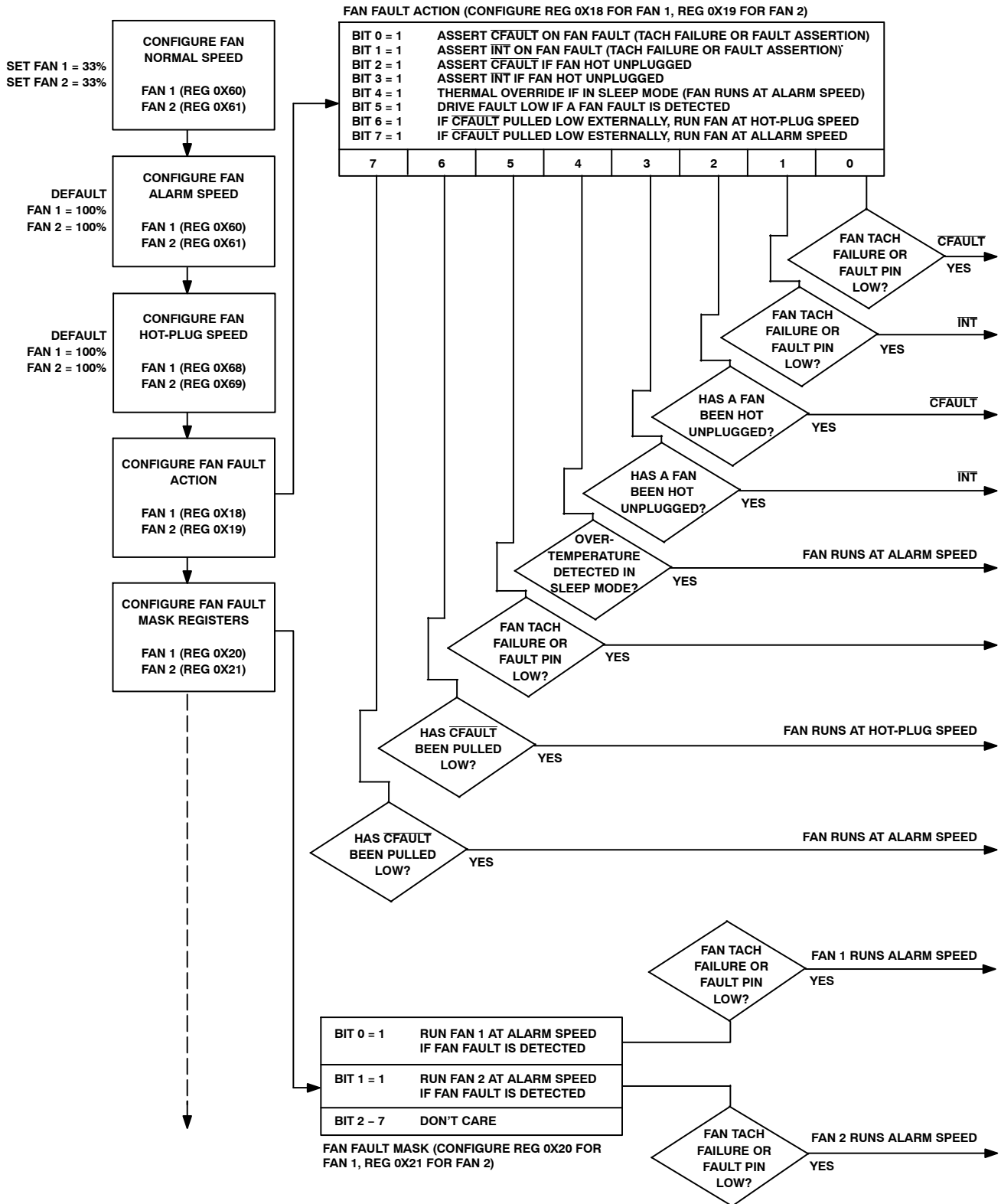


Figure 36. Fan Configuration Flowchart

ADM1029

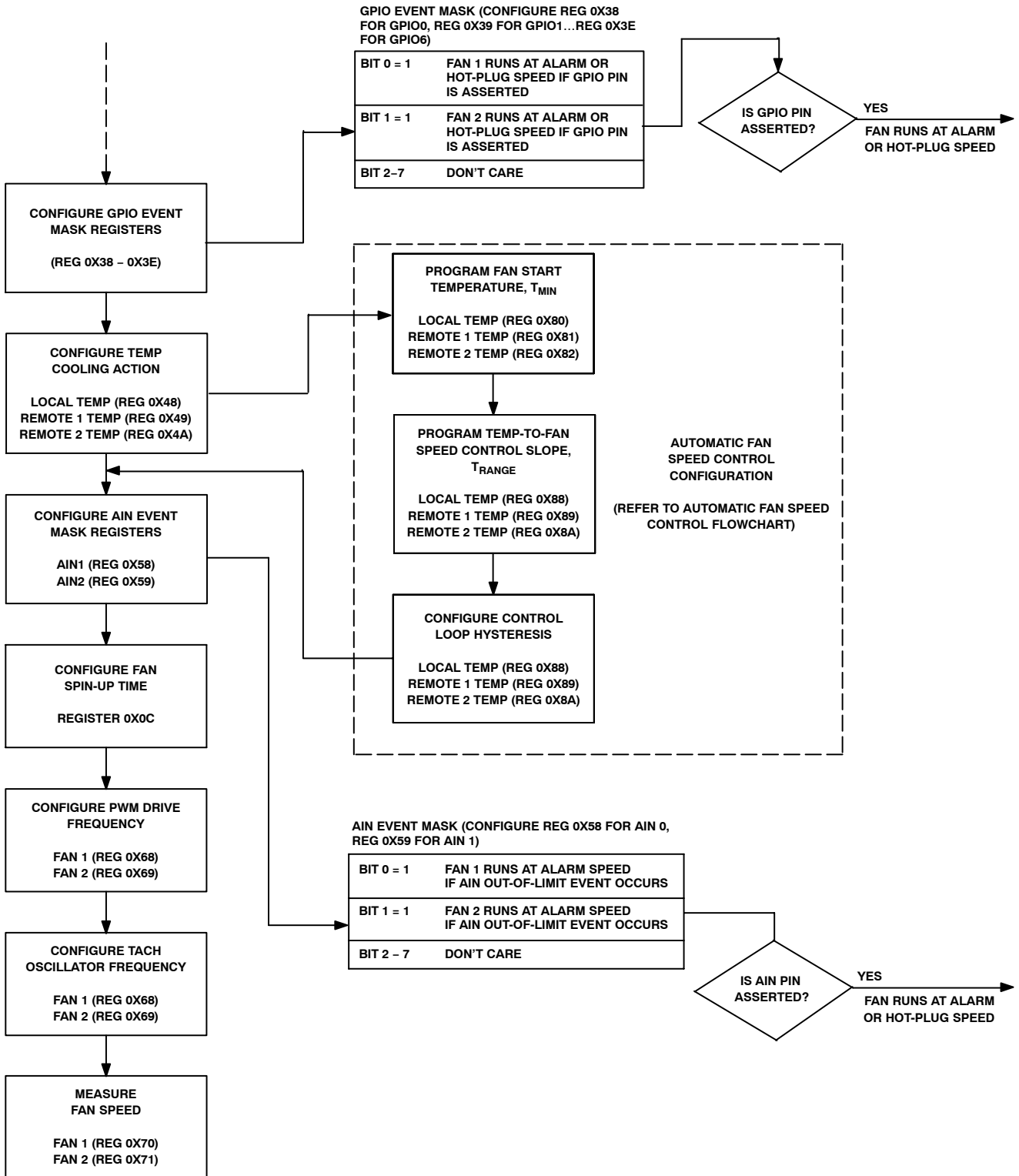


Figure 37. Fan Configuration Flowchart (Continued)

Reset Input

Pin 12 is an active-low system RESET input. Taking this pin low will generate a system reset, which will reset all registers to their default values.

Analog Inputs

Pins 19 and 20 of the ADM1029 are dual-function pins. They may be configured as general-purpose logic I/O pins by setting Bits 0, 1 of the GPIO Present/AIN Register (address 05h) or as 0 V to 2.5 V analog inputs by clearing these bits.

In the analog input mode, Pins 19 and 20 have an input range of 0 V to 2.5 V. By suitable input scaling, the analog input may be configured to measure other voltage ranges such as system power supply voltages. If more than one ADM1029 is used in a system, several such voltages may be monitored.

The measured values of AIN0 and AIN1 are stored in the AIN0 and AIN1 Value Registers (addresses B8h and B9h) and are compared to high and low limits stored in the AIN0 and AIN1 High and Low Limit Registers (addresses A8h, A9h and B0h, B1h).

The response of the ADM1029 to an out-of-limit measurement on AIN0 or AIN1 depends on the status of the AIN0 and AIN1 Behavior Registers (Registers 50h, 51h). The response of $\overline{\text{CFAULT}}$, $\overline{\text{INT}}$, and fan speed to temperature events depends on the setting of these registers, as detailed in the register tables later in this data sheet. Figure 38 shows how the AIN pins can be configured to respond to different events.

Analog Monitoring Cycle

The ADM1029 performs a sequential “round-robin,” monitoring cycle on all analog inputs and temperature inputs that are enabled. A conversion on AIN0 or AIN1 typically takes 11.6 ms, while an external temperature conversion takes 185.6 ms.

Interrupt ($\overline{\text{INT}}$) Output

The $\overline{\text{INT}}$ output is an open-drain output with selectable polarity, intended to communicate fault conditions to the host processor. The polarity is set to active low by clearing Bit 7 of the Configuration Register (address 01h) or to active high by setting this bit.

$\overline{\text{INT}}$ can be asserted if any of the following conditions occur:

- A hot-plug event
- Setting Bit 6 of the Configuration Register (address 01h) forces $\overline{\text{INT}}$ to be asserted
- When a GPIO pin is configured as an input by setting Bit 0 of the corresponding GPIO Behavior Register and Bit 3 of the GPIO Behavior Register is also set, $\overline{\text{INT}}$ will be asserted when the logic input is asserted (high or low, depending on the polarity bit, Bit 1 of the corresponding GPIO Behavior Register)
- If Bit 2 of a Temp. Fault Action Register is set (40h – Local Sensor, 41h – Remote 1, 42h – Remote 2),

$\overline{\text{INT}}$ will be asserted if the corresponding temperature high limit is exceeded

- If Bit 6 of a Temp. Fault Action Register is set, $\overline{\text{INT}}$ will be asserted if a temperature input crosses the corresponding temperature low limit, the direction depending on the setting of Bit 3 of the Temp. Fault Action register. (0 = $\overline{\text{INT}}$ when temperature goes below low limit, 1 = $\overline{\text{INT}}$ when temperature goes above low limit)
- If Bit 1 of a Fan Fault Action Register (18h or 19h) is set, $\overline{\text{INT}}$ will be asserted when a tach measurement for the corresponding fan exceeds the set limit
- If Bit 1 of a Fan Fault Action Register (18h or 19h) is set, $\overline{\text{INT}}$ will be asserted when the fan fault input pin for the corresponding fan is asserted (low)
- If Bit 2 of an AIN Behavior Register is set (50h – AIN0, 51h – AIN1), $\overline{\text{INT}}$ will be asserted if the corresponding AIN high limit is exceeded
- If Bit 6 of an AIN Behavior Register is set, $\overline{\text{INT}}$ will be asserted if the corresponding analog input crosses its AIN low limit, the direction depending on the setting of Bit 3 of the AIN Behavior register. (0 = $\overline{\text{INT}}$ when input goes below low limit, 1 = $\overline{\text{INT}}$ when input goes above low limit)

Fan Free-Wheeling Test

The Fan Free-Wheeling Test is used to diagnose fans connected to the ADM1029 to ensure that they are operating correctly. Large fans tightly coupled in a duct can affect each other’s airflow. If one fan has failed it may not be apparent, as the other fan moving can suck air through the faulty fan causing it to spin. The ADM1029 will spin each fan up separately with the other powered down and measure the fan speed of both. When it tries to spin the failed fan with the working fan off, the fan speed measurement will fail, and the faulty fan will be detected. The Fan Free-Wheel Test can be invoked at any time in software by setting Bit 3 of the Configuration Register (Reg. 0x01). The Fan Free-Wheel Test normally takes about 10 seconds. Once the Fan Free-Wheel test has completed, Bit 3 will automatically clear to 0.

Automatic Fan Free-Wheel Test

Whenever a fan is hot-plugged, the Fan Free-Wheel Test is automatically invoked. Bit 3 gets set high automatically and once the test has completed, self-clears to 0. If 2 fans are installed in the system, the Fan Free-Wheel Test is invoked by removing the suspect fan and hotplugging a new one. When the suspect fan (e.g., Fan 1) is removed, the Missing bit (Bit 0) and Missing Latch bit (Bit 1) of the Fan 1 Status Register are set. Fan 2 will then automatically run at HotPlug Speed. If the faulty fan is replaced, the HotPlug Latch bit (Bit 7) is set and the Missing bit (Bit 0) self-clears. (However, the Missing Latch bit remains set.) Fan 2 will return to its previous value automatically and the Fan Free-Wheel Test is invoked. Fan 1 is run at 100% while

Fan 2 is turned off. Fan 2 is then run at 100% with Fan 1 turned off. Both fans are then spun-up for the Fan Spin-up time. Note that the Hotplug Latch bit and Missing Latch bit remains set (Bits 7 and 1). These need to be cleared to 0

before a subsequent Fan Free-Wheel Test can occur. Otherwise, subsequent fan removals and insertions are ignored.

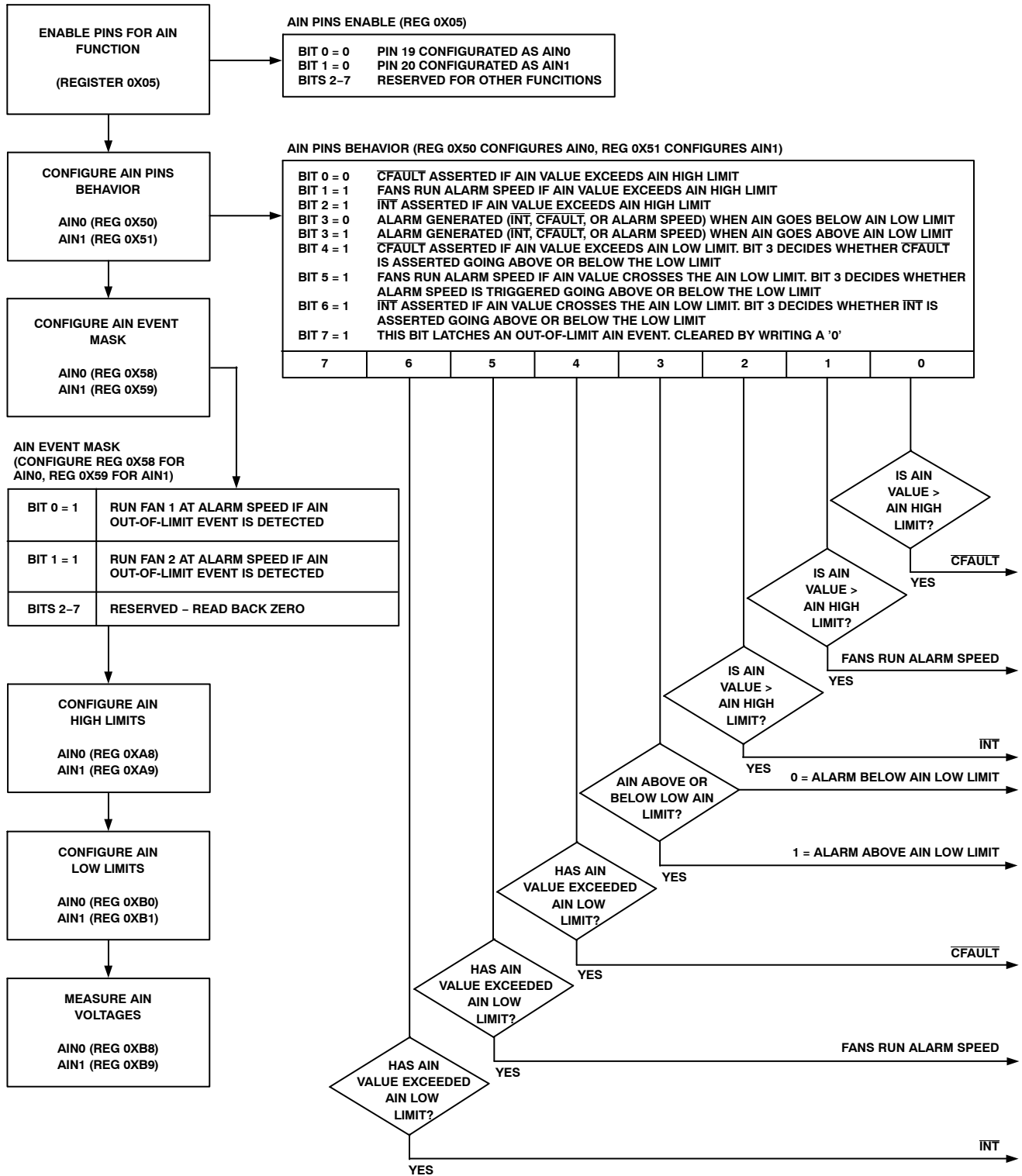


Figure 38. Configuring AIN0 and AIN1 Pins

General Purpose Logic Input/Outputs

The ADM1029 has six dual-function pins (see Pin Function Descriptions section) that may be configured as general-purpose Logic I/O pins by setting the appropriate bit(s) of the GPIO Present/AIN Register (address 05h) or as their alternate functions by clearing these bits.

When configured as GPIO pins, each GPIO pin has a Behavior Register associated with it (Registers 28h to 2Eh) that may be used to configure the operation of the pin.

The GPIO pins may be configured as inputs or outputs. When used as inputs, they may be configured to:

- Be Active High or Active Low
- Set/Clear a Bit in the Behavior Register when GP Input Is Asserted/Deasserted
- Latch a Bit In the Behavior Register when GP Input Is Asserted (Must Be Cleared by Software)
- Assert $\overline{\text{CFAULT}}$ when GP Input Asserted
- Assert $\overline{\text{INT}}$ when GP Input Asserted
- Set Fan(s) to Alarm Speed when GP Input Asserted
- Set Fan(s) to Hot-plug Speed when GP Input Asserted

When Used as Outputs, They May Be Configured to:

- Be Active High or Low
- Be Asserted If a High Temperature Limit Is Exceeded
- Be Asserted If a Temperature Measurement Falls Below a Low Limit
- Be Asserted If a Fan Fault Is Detected
- Be Asserted If a Fan Tach Limit Is Exceeded
- Be Asserted If an AIN High Limit Is Exceeded
- Be Asserted If an Analog Input Falls Below a Low Limit

Figure 39 shows how to configure the GPIO pins to handle different out-of-limit and fault events.

CFAULT Output

The Cascade Fault output ($\overline{\text{CFAULT}}$), is an open-drain, active low output, intended to communicate fault conditions to other ADM1029s in a system, without the intervention of the host processor. The other ADM1029's may then adjust their fans' speed to compensate, depending on the settings of various registers.

$\overline{\text{CFAULT}}$ is asserted if any of the following conditions occurs:

- A Hot-plug Event
- Setting Bit 5 of the Configuration Register (Address 01h) forces $\overline{\text{CFAULT}}$ to be asserted
- When a GPIO pin is configured as an input by setting Bit 0 of the corresponding GPIO Behavior Register and Bit 2 of the GPIO Behavior Register is also set, $\overline{\text{CFAULT}}$ will be asserted when the logic input is asserted (high or low depending on the polarity bit, Bit 1 of the corresponding GPIO Behavior Register)
- If Bit 0 of a Temp. Fault Action Register is set (40h – Local Sensor, 41h – Remote 1, 42h – Remote 2), $\overline{\text{CFAULT}}$ will be asserted if the corresponding temperature high limit is exceeded
- If Bit 4 of a Temp. Fault Action Register is set, $\overline{\text{CFAULT}}$ will be asserted if a temperature input crosses the corresponding temperature low limit, the direction depending on the setting of Bit 3 of the Temp. Fault Action Register. (0 = $\overline{\text{CFAULT}}$ when input goes below low limit, 1 = $\overline{\text{CFAULT}}$ when input goes above low limit)
- If Bit 0 of a Fan Fault Action Register (18h or 19h) is set, $\overline{\text{CFAULT}}$ will be asserted when a tach measurement for the corresponding fan exceeds the set limit
- If Bit 0 of a Fan Fault Action Register (18h or 19h) is set, $\overline{\text{CFAULT}}$ will be asserted, when the fan fault input pin for the corresponding fan is asserted (low)
- If Bit 0 of an AIN Behavior Register is set (50h – AIN0, 51h – AIN1), $\overline{\text{CFAULT}}$ will be asserted if the corresponding AIN high limit is exceeded
- If Bit 4 of an AIN Behavior Register is set, $\overline{\text{CFAULT}}$ will be asserted if an analog input crosses the corresponding AIN low limit, the direction depending on the setting of Bit 3 of the AIN Behavior Register. (0 = $\overline{\text{CFAULT}}$ when input goes below low limit, 1 = $\overline{\text{CFAULT}}$ when input goes above low limit).

ADM1029

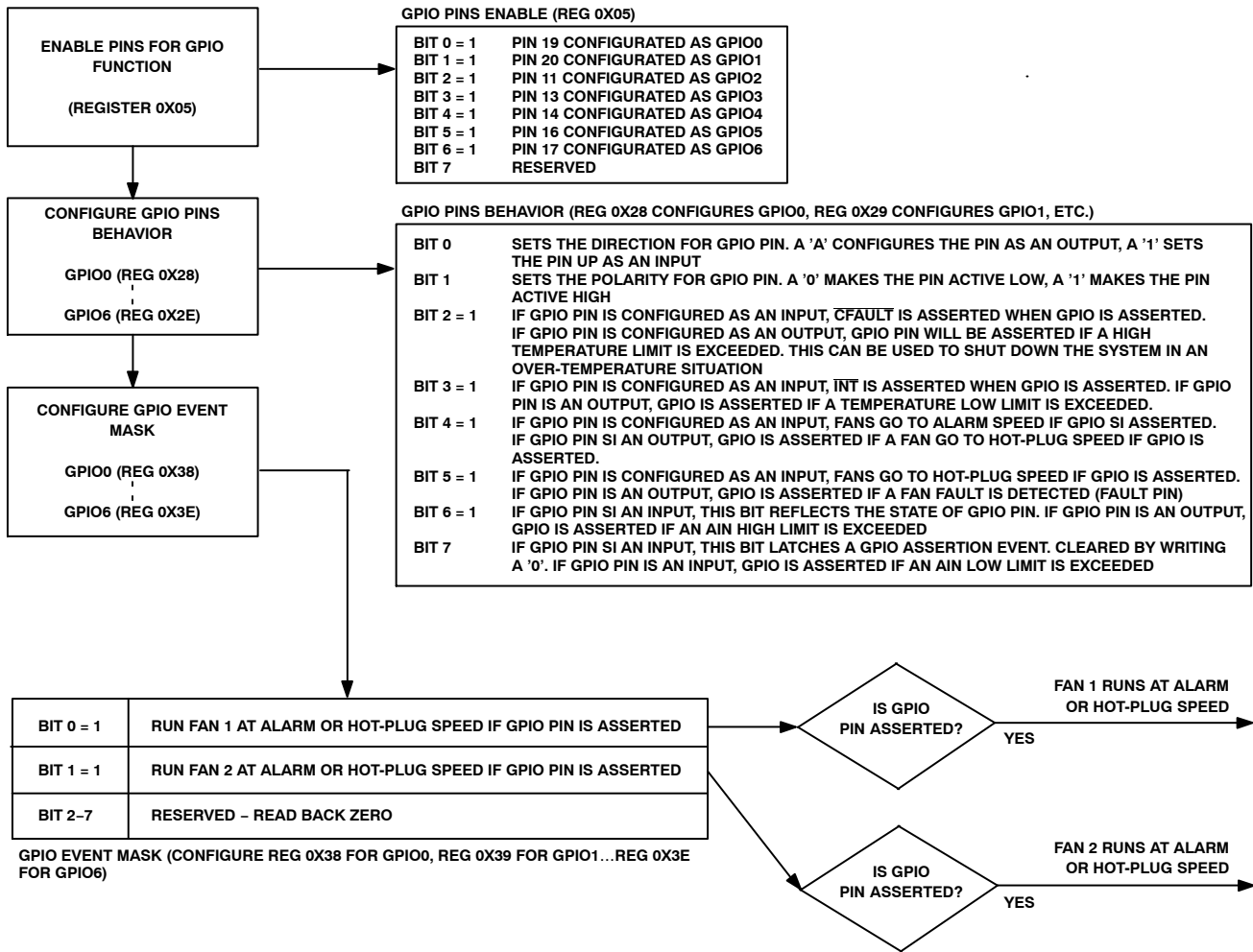


Figure 39. Configuring GPIO Pins

Table 15. REGISTER MAP

| Address | Name | Default Value | Description |
|---------|-------------------------------|---------------|---|
| 00 | Status Register | 00h | Contains the status of various fault conditions. |
| 01 | Config Register | 0000 0000 | Configures the operation of the device. |
| 02 | Fan Supported By Controller | 03h | Contains the number of fans the device can support. |
| 03 | Fans Supported In System | 0000 00?1 | Contains the number of fans actually supported by the device in the application. |
| 04 | GPIOs Supported By Controller | 7Fh | Contains the number of GPIO pins the device can support. |
| 05 | GPIO Present/AIN | 0????111 | Used to configure GPIO pins as GPIO or as their alternate analog input function. |
| 06 | Temp Devices Installed | 0000 0??1 | Contains number of temperature sensors installed. |
| 07 | Set Fan x Alarm Speed | 00h | Writing to appropriate bit(s) makes fan(s) run at alarm speed. |
| 08 | Set Fan x Hot-plug Speed | 00h | Writing to appropriate bit(s) makes fan(s) run at hot-plug speed. |
| 09 | Set Fan x Full Speed | 00h | Writing to appropriate bit(s) makes fan(s) run at full speed. |
| 0B | S/W RESET | 00h | Writing A6h to this register causes a software reset. |
| 0C | Fan Spin-up | 03h | Configures fan spin-up time. |
| 0D | Manufacturer's ID | 41h | This register contains the manufacturer's ID code for the device. |
| 0E | Major/Minor Revision | 00h | Contains the manufacturer's code for major and minor revisions to the device in two nibbles. |
| 0F | Manufacturer's Test Register | 00h | This register is used by the manufacturer for test purposes. It should not be read from or written to in normal operation. |
| 10 | Fan 1 Status | 0000 0?0? | Contains status information for Fan 1. |
| 11 | Fan 2 Status | 0000 0?0? | Contains status information for Fan 2. |
| 18 | Fan 1 Fault Action | BFh | Sets operation of $\overline{\text{INT}}$, $\overline{\text{CFAULT}}$, etc., for Fan 1 fault. |
| 19 | Fan 2 Fault Action | BFh | Sets operation of $\overline{\text{INT}}$, $\overline{\text{CFAULT}}$, etc., for Fan 2 fault. |
| 20 | Fan 1 Event Mask | FFh | Enables/disables Fan 1 and/or Fan 2 alarm/hot-plug speed in response to a fault or hot-plug event on Fan 1. |
| 21 | Fan 2 Event Mask | FFh | Enables/disables Fan 1 and/or Fan 2 alarm/hot-plug speed in response to a fault or hot-plug event on Fan 2. |
| 28 | GPIO0 Behavior | 00h | Configures the operation of GPIO0. |
| 29 | GPIO1 Behavior | 00h | Configures the operation of GPIO1. |
| 2A | GPIO2 Behavior | 00h | Configures the operation of GPIO2. |
| 2B | GPIO3 Behavior | 00h | Configures the operation of GPIO3. |
| 2C | GPIO4 Behavior | 00h | Configures the operation of GPIO4. |
| 2D | GPIO5 Behavior | 00h | Configures the operation of GPIO5. |
| 2E | GPIO6 Behavior | 00h | Configures the operation of GPIO6. |
| 30 | Local Temperature Offset | 00h | Offset register for local temperature measurement. The value in this register is added to the local temperature value to reduce system offset effects. |
| 31 | Remote 1 Temperature Offset | 00h | Offset register for first remote temperature channel (D1). The value in this register is added to the temperature value to reduce system offset effects. |
| 32 | Remote 2 Temperature Offset | 00h | Offset register for second remote temperature channel (D2). The value in this register is added to the temperature value to reduce system offset effects. |
| 38 | GPIO0 Event Mask | 00h | Enables/disables Fan 1 and/or Fan 2 alarm/hot-plug speed in response to GPIO0 being asserted. |

Table 15. REGISTER MAP

| Address | Name | Default Value | Description |
|---------|------------------------------|---------------|--|
| 39 | GPIO1 Event Mask | 00h | Enables/disables Fan 1 and/or Fan 2 alarm/hot-plug speed in response to GPIO1 being asserted. |
| 3A | GPIO2 Event Mask | 00h | Enables/disables Fan 1 and/or Fan 2 alarm/hot-plug speed in response to GPIO2 being asserted. |
| 3B | GPIO3 Event Mask | 00h | Enables/disables Fan 1 and/or Fan 2 alarm/hot-plug speed in response to GPIO3 being asserted. |
| 3C | GPIO4 Event Mask | 00h | Enables/disables Fan 1 and/or Fan 2 alarm/hot-plug speed in response to GPIO4 being asserted. |
| 3D | GPIO5 Event Mask | 00h | Enables/disables Fan 1 and/or Fan 2 alarm/hot-plug speed in response to GPIO5 being asserted. |
| 3E | GPIO6 Event Mask | 00h | Enables/disables Fan 1 and/or Fan 2 alarm/hot-plug speed in response to GPIO6 being asserted. |
| 40 | Local Temp Fault Action | 08h | Configures the operation of \overline{INT} , \overline{CFAULT} , etc. for a Local Temp fault (internal temperature sensor). |
| 41 | Remote 1 Temp Fault Action | 08h | Configures the operation of \overline{INT} , \overline{CFAULT} , etc. for a Remote 1 Temp fault (D1 Temperature Sensor). |
| 42 | Remote 2 Temp Fault Action | 08h | Configures the operation of \overline{INT} , \overline{CFAULT} , etc. for a Remote 2 Temp fault (D2 Temperature Sensor). |
| 48 | Local Temp Cooling Action | 00h | Enables/disables Fan 1 and/or Fan 2 alarm/hot-plug speed in response to a Local Temp event (internal temperature sensor). |
| 49 | Remote 1 Temp Cooling Action | 00h | Enables/disables Fan 1 and/or Fan 2 alarm/hot-plug speed in response to a Remote 1 Temp event (D1 temperature sensor). |
| 4A | Remote 2 Temp Cooling Action | 00h | Enables/disables Fan 1 and/or Fan 2 alarm/hot-plug speed in response to a Remote 2 Temp event (D2 temperature sensor). |
| 50 | AIN0 Behavior | 00h | Configures the operation of \overline{INT} , \overline{CFAULT} , etc. for a fault on Analog Channel 0. |
| 51 | AIN1 Behavior | 00h | Configures the operation of \overline{INT} , \overline{CFAULT} , etc. for a fault on Analog Channel 1. |
| 58 | AIN0 Event Mask | 00h | Enables/disables Fan 1 and/or Fan 2 alarm/hot-plug speed in response to a fault on Channel 0. |
| 59 | AIN1 Event Mask | 00h | Enables/disables Fan 1 and/or Fan 2 alarm/hot-plug speed in response to a fault on Channel 1. |
| 60 | Fan 1 Minimum/Alarm Speed | FFh | Contains the Minimum/Alarm speeds for Fan 1. |
| 61 | Fan 2 Minimum/Alarm Speed | FFh | Contains the Minimum/Alarm speeds for Fan 2. |
| 68 | Fan 1 Configuration | 2Fh | Configures hot-plug speed, PWM and tach frequency. |
| 69 | Fan 2 Configuration | 2Fh | Configures hot-plug speed, PWM and tach frequency. |
| 70 | Fan 1 Tach Value | 00h | Contains the measured value from the Fan 1 tachometer output. |
| 71 | Fan 2 Tach Value | 00h | Contains the measured value from the Fan 2 tachometer output. |
| 78 | Fan 1 Tach High Limit | FFh | Contains the high limit for Fan 1 tachometer measurement. |
| 79 | Fan 2 Tach High Limit | FFh | Contains the high limit for Fan 2 tachometer measurement. |
| 80 | Local Temp T_{MIN} | ??h | Defines the starting temperature for the fan when controlled by the local temperature channel, under Automatic Fan Speed Control. |
| 81 | Remote 1 Temp T_{MIN} | ??h | Defines the starting temperature for the fan when controlled by the Remote 1 temperature channel, under Automatic Fan Speed Control. (D1 Temp Sensor). |
| 82 | Remote 2 Temp T_{MIN} | ??h | Defines the starting temperature for the fan when controlled by the Remote 2 temperature channel, under Automatic Fan Speed Control. (D2 Temp Sensor). |

ADM1029

Table 15. REGISTER MAP

| Address | Name | Default Value | Description |
|---------|---|---------------|---|
| 88 | Local Temp T _{RANGE} /THYST | 51h | This register programs the control range for the local temperature control loop. It also defines the amount of temperature hysteresis applied to the loop. |
| 89 | Remote 1 Temp T _{RANGE} /THYST | 51h | This register programs the control range for the Remote 1 temperature control loop. It also defines the amount of temperature hysteresis applied to the loop. |
| 8A | Remote 2 Temp T _{RANGE} /THYST | 51h | This register programs the control range for the Remote 2 temperature control loop. It also defines the amount of temperature hysteresis applied to the loop. |
| 90 | Local Temp High Limit | 50h (80°C) | High limit for Local measurement (internal sensor). |
| 91 | Remote 1 Temp High Limit | 64h (100°C) | High limit for Remote 1 measurement (D1 Sensor). |
| 92 | Remote 2 Temp High Limit | 64h (100°C) | High limit for Remote 2 measurement (D2 Sensor). |
| 98 | Local Temp Low Limit | 3Ch (60°C) | Low limit for Local Temp measurement (internal sensor). |
| 99 | Remote 1 Temp Low Limit | 46h (70°C) | Low limit for Remote 1 measurement (D1 Sensor). |
| 9A | Remote 2 Temp Low Limit | 46h (70°C) | Low limit for Remote 2 measurement (D2 Sensor). |
| A0 | Local Temp Value | 00h | Measured value from local temp sensor. |
| A1 | Remote 1 Temp Value | 00h | Measured value from D1 Remote Sensor. |
| A2 | Remote 2 Temp Value | 00h | Measured value from D2 Remote Sensor. |
| A8 | AIN0 High Limit | FFh | High limit for measurement on analog Channel 0. |
| A9 | AIN1 High Limit | FFh | High limit for measurement on analog Channel 1. |
| B0 | AIN0 Low Limit | 00h | Low limit for measurement on analog Channel 0. |
| B1 | AIN1 Low Limit | 00h | Low limit for measurement on analog Channel 1. |
| B8 | AIN0 Measured Value | 00h | Measured value of analog Channel 0. |
| B9 | AIN1 Measured Value | 00h | Measured value of analog Channel 1. |

NOTE: Question marks on this and following pages indicate bit settings that depend on the state of certain pins on power-up.

ADM1029

CONFIGURATION REGISTERS

Table 16. REGISTER 01H – CONFIG REGISTER (POWER-ON DEFAULT 000? 000?)

| Bit | Name | R/W | Description |
|-----|---|-----|---|
| 0 | Install = ? | R/W | This bit reflects Bit 1 of Register 0x03 (Fans Supported In System). |
| 1 | Global $\overline{\text{INT}}$ mask = 0 | R/W | Setting this bit to 1 will disable the $\overline{\text{INT}}$ output for all interrupt sources. |
| 2 | ARA Disable = 0 | R/W | Setting this bit to 1 will disable the SMBus Alert Response Address feature. |
| 3 | Perform Free-Wheel Test = 0 | R/W | Setting this bit to 1 will initiate the Fan Free-Wheeling Test. While this test is being performed normal monitoring of fan speeds, temperature and voltages will be temporarily halted. This bit will automatically reset to 0 once the test is complete which will take about 10 seconds. |
| 4 | Start Monitoring = 0 | R/W | Set to 1 to start round robin monitoring cycle of voltage temperature and fan speeds, fault detection, etc. While this bit is 0, all fans will run at Alarm Speed. This bit is set at power-up; otherwise, if automatic fan speed control is enabled by Pin 18. |
| 5 | Force $\overline{\text{CFAULT}}$ = 0 | R/W | Setting this bit to 1 forces $\overline{\text{CFAULT}}$ to be asserted (Low). |
| 6 | Force $\overline{\text{INT}}$ = 0 | R/W | Setting this bit to 1 forces $\overline{\text{INT}}$ to be asserted (Polarity depends on Bit 7). |
| 7 | $\overline{\text{INT}}$ Polarity = 0 | R/W | Polarity of $\overline{\text{INT}}$ when asserted. 1 means High and 0 means Low. |

NOTE: Question marks on this and following pages indicate bit settings that depend on the state of certain pins on power-up.

Table 17. REGISTER 05H – GPIO PRESENT/AIN (POWER-ON DEFAULT 0????111)

| Bit | Name | R/W | Description |
|-----|------------|-----|---|
| 0 | GPIO 0 = 1 | R/W | Indicates that GPIO0 is being used. Set to 1 on power-up, but can be overwritten by software. Setting this bit to 0 means AIN0 is being used. |
| 1 | GPIO 1 = 1 | R/W | Indicates that GPIO1 is being used. Set to 1 on power-up, but can be overwritten by software. Setting this bit to 0 means AIN1 is being used. |
| 2 | GPIO 2 = 1 | R/W | Indicates that GPIO2 is being used. Set to 1 on power-up, but can be overwritten by software. |
| 3 | GPIO 3 = ? | R/W | Indicates that GPIO3 is being used. Setting this bit to 0 means TDM1 is being used. The ADM1029 can detect on power-up if TDM1 is connected. If so, this bit is set to 0, otherwise it is set to 1. The default setting can be overwritten by software. |
| 4 | GPIO 4 = ? | R/W | Indicates that GPIO4 is being used. Setting this bit to 0 means TDM1 is being used. The ADM1029 can detect on power-up if TDM1 is connected. If so, this bit is set to 0, otherwise it is set to 1. The default setting can be overwritten by software. |
| 5 | GPIO 5 = ? | R/W | Indicates that GPIO5 is being used. Setting this bit to 0 means TDM2 is being used. The ADM1029 can detect on power-up if TDM2 is connected. If so, this bit is set to 0, otherwise it is set to 1. The default setting can be overwritten by software. |
| 6 | GPIO 6 = ? | R/W | Indicates that GPIO6 is being used. Setting this bit to 0 means TDM2 is being used. The ADM1029 can detect on power-up if TDM2 is connected. If so, this bit is set to 0, otherwise it is set to 1. The default setting can be overwritten by software. |
| 7 | Reserved | R | Unused. Will read back 0. |

NOTE: Question marks on this and following pages indicate bit settings that depend on the state of certain pins on power-up.

Table 18. REGISTER 07H – SET FAN X* ALARM SPEED (POWER-ON DEFAULT 00H)

| Bit | Name | R/W | Description |
|-----|-----------------------|-----|---|
| 0 | Fan 1 Alarm Speed = 0 | R/W | When set to 1, Fan 1 will run at Alarm Speed. |
| 1 | Fan 2 Alarm Speed = 0 | R/W | When set to 1, Fan 2 will run at Alarm Speed. |
| 2 | Reserved | R | Unused. Will read back 0. |
| 3 | Reserved | R | Unused. Will read back 0. |
| 4 | Reserved | R | Unused. Will read back 0. |
| 5 | Reserved | R | Unused. Will read back 0. |
| 6 | Reserved | R | Unused. Will read back 0. |
| 7 | Reserved | R | Unused. Will read back 0. |

* "x" denotes the fan number.

NOTE: Question marks on this and following pages indicate bit settings that depend on the state of certain pins on power-up.

Table 19. REGISTER 08H – SET FAN X* HOT-PLUG SPEED (POWER-ON DEFAULT 00H)

| Bit | Name | R/W | Description |
|-----|--------------------------|-----|--|
| 0 | Fan 1 Hot-Plug Speed = 0 | R/W | When set to 1, Fan 1 will run at Hot-Plug Speed. |
| 1 | Fan 2 Hot-Plug Speed = 0 | R/W | When set to 1, Fan 2 will run at Hot-Plug Speed. |
| 2 | 0 | R | Unused. Will read back 0. |
| 3 | 0 | R | Unused. Will read back 0. |
| 4 | 0 | R | Unused. Will read back 0. |
| 5 | 0 | R | Unused. Will read back 0. |
| 6 | 0 | R | Unused. Will read back 0. |
| 7 | 0 | R | Unused. Will read back 0. |

* "x" denotes the fan number.

NOTE: Question marks on this and following pages indicate bit settings that depend on the state of certain pins on power-up.

Table 20. REGISTER 09H – SET FAN X* FULL SPEED (POWER-ON DEFAULT 00H)

| Bit | Name | R/W | Description |
|-----|----------------------|-----|---|
| 0 | Fan 1 Full Speed = 0 | R/W | When set to 1 Fan 1 will run at Full Speed. |
| 1 | Fan 2 Full Speed = 0 | R/W | When set to 1 Fan 2 will run at Full Speed. |
| 2 | Reserved | R | Unused. Will read back 0. |
| 3 | Reserved | R | Unused. Will read back 0. |
| 4 | Reserved | R | Unused. Will read back 0. |
| 5 | Reserved | R | Unused. Will read back 0. |
| 6 | Reserved | R | Unused. Will read back 0. |
| 7 | Reserved | R | Unused. Will read back 0. |

* "x" denotes the fan number.

NOTE: Question marks on this and following pages indicate bit settings that depend on the state of certain pins on power-up.

ADM1029

STATUS REGISTERS

Table 21. REGISTER 00H – STATUS REGISTER (POWER-ON DEFAULT 00H)

| Bit | Name | R/W | Description |
|-----|-------------------------|-----|---|
| 0 | $\overline{\text{INT}}$ | R | This bit is set to 1 when the device is asserting $\overline{\text{INT}}$ low. This bit is the logical OR of several bits in other registers and is cleared when these bits are cleared. |
| 1 | CFAULT_in | R | This bit is set to 1 when the device is receiving $\overline{\text{CFAULT}}$ low from another device. |
| 2 | CFAULT_out | R | This bit is set to 1 when the device is asserting $\overline{\text{CFAULT}}$ low. This bit is the logical OR of several bits in other registers and is cleared when these bits are cleared. |
| 3 | In Alarm_speed | R | This bit is set to 1 when either fan is running at Alarm Speed. This bit is the logical OR of several bits in other registers and is cleared when these bits are cleared. |
| 4 | In Hot-Plug Speed | R | This bit is set to 1 when either fan is running at Hot-Plug Speed. This bit is the logical OR of several bits in other registers and is cleared when these bits are cleared. |
| 5 | GPIO/AIN Event | R | This bit is a logical OR of Bits 1, 3, 6, and 7 in the GPIO Behavior Registers at 28h to 2Eh while they are configured as inputs, and Bit 7 in the AIN Behavior Registers at 50h and 51h. It will be set when any of these bits are set and cleared when all of these bits are cleared. |
| 6 | Hot Plug/Fan Fault | R | This bit is a logical OR of Bits 1, 3, 6, and 7 in the Fan Status Registers at 10h and 11h. It will be set when any of these bits are set and cleared when all of these bits are cleared. |
| 7 | Thermal Event | R | This bit is a logical OR of Bit 7 in the Temp Fault Action Registers at 40h, 41h, and 42h. It will be set when any of these bits are set and cleared when all of these bits are cleared. |

Table 22. REGISTER 02H – FAN SUPPORTED BY CONTROLLER (POWER-ON DEFAULT 03H)

| Bit | Name | R/W | Description |
|-----|-----------|-----|--|
| 0 | Fan 1 = 1 | R | This bit set to 1 means the ADM1029 can support Fan 1. |
| 1 | Fan 2 = 1 | R | This bit set to 1 means the ADM1029 can support Fan 2. |
| 2 | Reserved | R | Unused. Will read back 0. |
| 3 | Reserved | R | Unused. Will read back 0. |
| 4 | Reserved | R | Unused. Will read back 0. |
| 5 | Reserved | R | Unused. Will read back 0. |
| 6 | Reserved | R | Unused. Will read back 0. |
| 7 | Reserved | R | Unused. Will read back 0. |

Table 23. REGISTER 03H – FANS SUPPORTED IN SYSTEM (POWER-ON DEFAULT 0000 00?1)

| Bit | Name | R/W | Description |
|-----|-----------|-----|---|
| 0 | Fan 1 = 1 | R/W | Indicates that Fan 1 is being used. Set to 1 on Power-up, but can be overwritten by software. |
| 1 | Fan 2 = ? | R/W | Indicates that Fan 2 is being used. Set by Pin 18 (TMIN/INSTALL) on Power-up, but can be overwritten by software. |
| 2 | Reserved | R | Unused. Will read back 0. |
| 3 | Reserved | R | Unused. Will read back 0. |
| 4 | Reserved | R | Unused. Will read back 0. |
| 5 | Reserved | R | Unused. Will read back 0. |
| 6 | Reserved | R | Unused. Will read back 0. |
| 7 | Reserved | R | Unused. Will read back 0. |

NOTE: Question marks on this and following pages indicate bit settings that depend on the state of certain pins on power-up.

ADM1029

Table 24. REGISTER 04H – GPIOs SUPPORTED BY CONTROLLER (POWER-ON DEFAULT 7FH)

| Bit | Name | R/W | Description |
|-----|---------------------|-----|---|
| 0 | GPIO 0 = 1 (Pin 19) | R | This bit set to 1 means the ADM1029 can support GPIO0, available on Pin 19. |
| 1 | GPIO 1 = 1 (Pin 20) | R | This bit set to 1 means the ADM1029 can support GPIO1, available on Pin 20. |
| 2 | GPIO 2 = 1 (Pin 11) | R | This bit set to 1 means the ADM1029 can support GPIO2, available on Pin 11. |
| 3 | GPIO 3 = 1 (Pin 13) | R | This bit set to 1 means the ADM1029 can support GPIO3, available on Pin 13. |
| 4 | GPIO 4 = 1 (Pin 14) | R | This bit set to 1 means the ADM1029 can support GPIO4, available on Pin 14. |
| 5 | GPIO 5 = 1 (Pin 16) | R | This bit set to 1 means the ADM1029 can support GPIO5, available on Pin 16. |
| 6 | GPIO 6 = 1 (Pin 17) | R | This bit set to 1 means the ADM1029 can support GPIO6, available on Pin 17. |
| 7 | Reserved | R | Unused. Will read back 0. |

Table 25. REGISTER 06H – TEMP DEVICES INSTALLED (POWER-ON DEFAULT 0000 0???)

| Bit | Name | R/W | Description |
|-----|-------------------|-----|--|
| 0 | Local Temp = 1 | R | This bit is permanently set to 1 since the local temperature sensor is always available. |
| 1 | Remote 1 Temp = ? | R | This bit is set to 1 if the Remote 1 temperature sensor (TDM1) is installed. (Automatically detected on power-up.) |
| 2 | Remote 2 Temp = ? | R | This bit is set to 1 if the Remote 2 temperature sensor (TDM2) is installed. (Automatically detected on power-up.) |
| 3 | Reserved | R | Unused. Will read back 0. |
| 4 | Reserved | R | Unused. Will read back 0. |
| 5 | Reserved | R | Unused. Will read back 0. |
| 6 | Reserved | R | Unused. Will read back 0. |
| 7 | Reserved | R | Unused. Will read back 0. |

NOTE: Question marks on this and following pages indicate bit settings that depend on the state of certain pins on power-up.

ADM1029

Table 26. REGISTER 10H, 11H – FAN X* STATUS (POWER-ON DEFAULT 0000 0?0?)

| Bit | Name | R/W | Description |
|-----|-------------------|-----|---|
| 0 | Missing = x | R | Reflects the state of Pins 4/21. Low means Fan x* is installed, High means it is missing. This bit will automatically return Low if a missing fan is replaced. |
| 1 | Missing_L = 0 | R/W | This bit is edge-triggered and latches a Fan x* missing event on removal of Fan x. This bit is cleared by writing a 0 to it. |
| 2 | Fault_ = x | R | Inverse of Pin 2/23. Low on pin means Fan x* has a fault (Pins 2/23 Low), High on pin means it is OK. This bit will automatically return Low if Pins 2/23 goes high. |
| 3 | Fault_L_ = 0 | R/W | This bit is edge-triggered and latches a Fan x* fault event on Pins 2/23. This bit is cleared by writing a 0 to it. If the $\overline{\text{PRESENT}}$ pin for a fan input is high (fan not installed) this bit will be cleared automatically. |
| 4 | Sleep = 0 | R/W | When this bit is set, Fan x* will be stopped and no Fan x* faults will be monitored. If Bit 4 in Fan x* Fault Action Register is set, Fan x* will go to Alarm Speed if an overtemperature event is detected as per settings in the Temp Fault Action Registers. |
| 5 | Hot Plug Priority | R/W | This bit indicates whether Fan x runs at Hot-Plug Speed (bit set to 1) or Alarm Speed (bit set to 0) if both modes are triggered. |
| 6 | Tach_Fault_L | R/W | Latches a Fan x Tach Fault. This bit is cleared by writing a 0 to it. If the $\overline{\text{PRESENT}}$ pin for a fan input is high (fan not installed), this bit will be cleared automatically. |
| 7 | Hot_Plug_L | R/W | This bit is edge-triggered and latches a Fan x Hot-plug event which is the insertion of Fan x. (Note difference to Bit 1.) This bit is cleared by writing a 0 to it. If a fan is Hot-plug installed, it will run at Normal Speed. |

* "x" denotes the fan number. Register 10h is for Fan 1 and Register 11h is for Fan 2.

NOTE: Question marks on this and following pages indicate bit settings that depend on the state of certain pins on power-up.

ADM1029

TEMPERATURE REGISTERS

Table 27. REGISTER 06H – TEMP DEVICES INSTALLED (POWER-ON DEFAULT 0000 0??1)

| Bit | Name | R/W | Description |
|-----|-------------------|-----|--|
| 0 | Local Temp = 1 | R | This bit is permanently set to 1 since the local temperature sensor is always available. |
| 1 | Remote 1 Temp = ? | R | This bit is set to 1 if the Remote 1 temperature sensor (TDM1) is installed. (Automatically detected on power-up.) |
| 2 | Remote 2 Temp = ? | R | This bit is set to 1 if the Remote 2 temperature sensor (TDM2) is installed. (Automatically detected on power-up.) |
| 3 | Reserved | R | Unused. Will read back 0. |
| 4 | Reserved | R | Unused. Will read back 0. |
| 5 | Reserved | R | Unused. Will read back 0. |
| 6 | Reserved | R | Unused. Will read back 0. |
| 7 | Reserved | R | Unused. Will read back 0. |

NOTE: Question marks on this and following pages indicate bit settings that depend on the state of certain pins on power-up.

Table 28. REGISTER 30H, 31H, 32H – TEMP X* OFFSET REGISTERS (POWER-ON DEFAULT 00H)

| Bit | Name | R/W | Description |
|-------|--------|-----|--|
| <7:0> | Offset | R/W | This register contains an offset value that is automatically added to the temperature value to reduce the effects of systemic offset errors. |

* "x" denotes the number of the temperature channel. Register 30h is for Local temperature channel, 31h is for Remote 1 Temp (D1), 32h is for Remote 2 Temp (D2).

Table 29. REGISTER 40H, 41H, 42H – TEMP X* FAULT ACTION (POWER-ON DEFAULT 08H)

| Bit | Name | R/W | Description |
|-----|---|-----|---|
| 0 | Assert $\overline{\text{CFAULT}}$ on OT = 0 | R/W | When this bit is set, $\overline{\text{CFAULT}}$ will be asserted when the Temp x* temperature exceeds the Temp x* Temperature High Limit, not otherwise. |
| 1 | Alarm speed on OT = 0 | R/W | When this bit is set, the fans(s) will go to alarm speed when the Temp x* temperature exceeds the Temp x* Temperature High limit, not otherwise. |
| 2 | $\overline{\text{INT}}$ on OT = 0 | R/W | When this bit is set, $\overline{\text{INT}}$ will be asserted when the Temp x* temperature exceeds the Temp x* Temperature High Limit, not otherwise. |
| 3 | Alarm below low = 0 | R/W | This bit indicates whether an alarm ($\overline{\text{INT}}$, $\overline{\text{CFAULT}}$, or Alarm Speed) is asserted when temperature goes above or below the Low Limit. 1 = above, 0 = below. This bit is set to 1 at power-up if automatic fan speed control is enabled by Pin 18, cleared otherwise. |
| 4 | Assert $\overline{\text{CFAULT}}$ on UT = 0 | R/W | When this bit is set, $\overline{\text{CFAULT}}$ will be asserted when the Temp x* temperature crosses the Temp x* Temperature Low Limit, not otherwise. Bit 3 decides whether $\overline{\text{CFAULT}}$ is asserted for going above or below the Low Limit. This bit is set to 1 if Automatic Fan Speed Control is enabled on power-up. |
| 5 | Alarm speed on UT = 0 | R/W | When this bit is set, the fans(s) will go to alarm speed when the Temp x* temperature crosses the Temp x* Temperature Low Limit, not otherwise. Bit 3 decides whether Alarm Speed is asserted for going above or below the Low Limit. |
| 6 | $\overline{\text{INT}}$ on UT = 0 | R/W | When this bit is set, $\overline{\text{INT}}$ will be asserted when the Temp x* temperature crosses the Temp x* Temperature Low Limit, not otherwise. Bit 3 decides whether $\overline{\text{INT}}$ is asserted for going above or below the Low Limit. |
| 7 | Latch Temp Fault = 0 | R/W | This bit latches a temperature out-of-limit event (i.e., when the temperature goes above the high limit or crosses the low limit) on the Temp x* channel. This bit is cleared by writing a 0 to it. |

* "x" denotes the number of the temperature channel. Register 40h is for the Local temperature channel, 41h is for Remote 1 Temp (D1), 42h is for Remote 2 Temp (D2).

ADM1029

Table 30. REGISTER 48H, 49H, 4AH – TEMP X* COOLING ACTION (POWER-ON DEFAULT 00H)

| Bit | Name | R/W | Description |
|-----|-----------|-----|---|
| 0 | Fan 1 = 0 | R/W | If a Temp x* out-of-limit event is generated such that fans should be driven at Alarm Speed, Fan 1 will be set to this speed when this bit is set. If no Temp x* out-of-limit event is present, Fan 1 will be set to the speed determined by the automatic fan speed control circuit as a result of temperature measurements on the Temp x* channel when this bit is set. If this bit is not set, Temp x* temperature measurements will have no effect on the speed of Fan 1. |
| 1 | Fan 2 = 0 | R/W | <p>If a Temp x* out-of-limit event is generated such that fans should be driven at Alarm Speed, Fan 2 will be set to this speed when this bit is set. If no Temp x* out-of-limit event is present, Fan 2 will be set to the speed determined by the automatic fan speed control circuit as a result of temperature measurements on the Temp x* channel when this bit is set. If this bit is not set, Temp x temperature measurements have no effect on the speed of Fan 2. While in theory it is possible, through setting of Bits 0 and 1 in registers 48h to 4Ah, to have any temperature channel controlling any fan, in practice this is not feasible. A subset of possibilities only are supported as follows:</p> <p>Case 1: TDM1 controlling Fan 1 (Bit 0 in 49h set and/or TDM2 controlling Fan 2 Bit 1 in 4Ah set, only)</p> <p>Case 2: Local controlling Fan 1 and/or Fan 2 (Bits 0, 1 in 48h only set)</p> <p>Case 3: TDM1 controlling Fan 1 and/or Fan 2 (Bits 0, 1 in 49h only set)</p> <p>Case 4: TDM2 controlling Fan 1 and/or Fan 2 (Bits 0, 1 in 4Ah only set)</p> <p>Case 5: Fan 1 and/or Fan 2 set to max speed (Bits 0, 1 in 48h, 49h, (Default) determined by temperature 4Ah all set) measurements on all three channels.</p> <p>Other: If Bits 0,1 in registers 48h, 49h, 4Ah are set inconsistent with these cases, fans will run at the speeds determined by the normal speed registers.</p> |
| 2 | Reserved | R | Unused. Will read back 0. |
| 3 | Reserved | R | Unused. Will read back 0. |
| 4 | Reserved | R | Unused. Will read back 0. |
| 5 | Reserved | R | Unused. Will read back 0. |
| 6 | Reserved | R | Unused. Will read back 0. |
| 7 | Reserved | R | Unused. Will read back 0. |

* "x" denotes the number of the temperature channel. Register 48h is for the Local temperature channel. 49h is for Remote 1 Temp (D1), 4Ah is for Remote 2 Temp (D2).

Table 31. REGISTER 80H, 81H, 82H – TEMP X* T_{MIN} (POWER-ON DEFAULT 001??000)

| Bit | Name | R/W | Description | | | | | | | | | | | | | | | | | | | | | | | | | | | | | | | | | | | | | | | | | | | | | |
|----------|--------------------------|-------|---|--------------------------|----|----|---------|--------------------------|-----|---|---|---|----------|-----|-------|-------|---|------|-----|-------|-------|---|------|-----|-------|-------|---|------|-----|-------|-------|---|------|-----|-------|-------|---|------|-----|-------|-------|---|------|-----|---|---|---|----------|
| <7:0> | Temp x* T _{MIN} | R/W | <p>This register contains the minimum temperature value for automatic fan speed control based on the Temp x* temperature. On power-up Pin 18 is sampled by the ADC to determine the default value for Temp x* T_{MIN}. If Pin 18 is strapped to GND or V_{CC}, this register defaults to 32°C, but Automatic Fan Speed Control is disabled. There are eight strappable options on Pin 18. These options are used to set Temp x* T_{MIN} and the Install bit in the Config Register (Reg 01h, Bit 0). The options are as follows:</p> <table border="1"> <thead> <tr> <th>ADC MSBs</th> <th>R1</th> <th>R2</th> <th>Install</th> <th>Temp x* T_{MIN}</th> </tr> </thead> <tbody> <tr> <td>111</td> <td>0</td> <td>∞</td> <td>1</td> <td>Disabled</td> </tr> <tr> <td>101</td> <td>18 kΩ</td> <td>82 kΩ</td> <td>1</td> <td>48°C</td> </tr> <tr> <td>110</td> <td>22 kΩ</td> <td>47 kΩ</td> <td>1</td> <td>40°C</td> </tr> <tr> <td>100</td> <td>12 kΩ</td> <td>15 kΩ</td> <td>1</td> <td>32°C</td> </tr> <tr> <td>011</td> <td>15 kΩ</td> <td>12 kΩ</td> <td>0</td> <td>32°C</td> </tr> <tr> <td>010</td> <td>47 kΩ</td> <td>22 kΩ</td> <td>0</td> <td>40°C</td> </tr> <tr> <td>001</td> <td>82 kΩ</td> <td>18 kΩ</td> <td>0</td> <td>48°C</td> </tr> <tr> <td>000</td> <td>∞</td> <td>0</td> <td>0</td> <td>Disabled</td> </tr> </tbody> </table> | ADC MSBs | R1 | R2 | Install | Temp x* T _{MIN} | 111 | 0 | ∞ | 1 | Disabled | 101 | 18 kΩ | 82 kΩ | 1 | 48°C | 110 | 22 kΩ | 47 kΩ | 1 | 40°C | 100 | 12 kΩ | 15 kΩ | 1 | 32°C | 011 | 15 kΩ | 12 kΩ | 0 | 32°C | 010 | 47 kΩ | 22 kΩ | 0 | 40°C | 001 | 82 kΩ | 18 kΩ | 0 | 48°C | 000 | ∞ | 0 | 0 | Disabled |
| ADC MSBs | R1 | R2 | Install | Temp x* T _{MIN} | | | | | | | | | | | | | | | | | | | | | | | | | | | | | | | | | | | | | | | | | | | | |
| 111 | 0 | ∞ | 1 | Disabled | | | | | | | | | | | | | | | | | | | | | | | | | | | | | | | | | | | | | | | | | | | | |
| 101 | 18 kΩ | 82 kΩ | 1 | 48°C | | | | | | | | | | | | | | | | | | | | | | | | | | | | | | | | | | | | | | | | | | | | |
| 110 | 22 kΩ | 47 kΩ | 1 | 40°C | | | | | | | | | | | | | | | | | | | | | | | | | | | | | | | | | | | | | | | | | | | | |
| 100 | 12 kΩ | 15 kΩ | 1 | 32°C | | | | | | | | | | | | | | | | | | | | | | | | | | | | | | | | | | | | | | | | | | | | |
| 011 | 15 kΩ | 12 kΩ | 0 | 32°C | | | | | | | | | | | | | | | | | | | | | | | | | | | | | | | | | | | | | | | | | | | | |
| 010 | 47 kΩ | 22 kΩ | 0 | 40°C | | | | | | | | | | | | | | | | | | | | | | | | | | | | | | | | | | | | | | | | | | | | |
| 001 | 82 kΩ | 18 kΩ | 0 | 48°C | | | | | | | | | | | | | | | | | | | | | | | | | | | | | | | | | | | | | | | | | | | | |
| 000 | ∞ | 0 | 0 | Disabled | | | | | | | | | | | | | | | | | | | | | | | | | | | | | | | | | | | | | | | | | | | | |

* "x" denotes the number of the temperature channel. Register 80h is for the Local temperature channel, 81h is for Remote 1 Temp (D1), 82h is for Remote 2 Temp (D2).

ADM1029

Table 32. REGISTER 88H, 89H, 8AH TEMP X* T_{RANGE}/T_{HYST} (POWER-ON DEFAULT 51H)

| Bit | Name | R/W | Description | | | | | | | | | | | | |
|-------------------------|----------------------------|-----|--|-------------------------|--------------------------|------|-----|------|------|------|------|------|------|------|------|
| <3:0> | Temp x* T _{RANGE} | R/W | <p>This nibble contains the temperature range over which automatic fan speed control operates based on the Temp x* measured temperature. Only a limited number of temperature ranges are supported as follows:</p> <table border="0"> <tr> <td>Bits <3:0></td> <td>T_{RANGE}</td> </tr> <tr> <td>0000</td> <td>5°C</td> </tr> <tr> <td>0001</td> <td>10°C</td> </tr> <tr> <td>0010</td> <td>20°C</td> </tr> <tr> <td>0011</td> <td>40°C</td> </tr> <tr> <td>0100</td> <td>80°C</td> </tr> </table> | Bits <3:0> | T_{RANGE} | 0000 | 5°C | 0001 | 10°C | 0010 | 20°C | 0011 | 40°C | 0100 | 80°C |
| Bits <3:0> | T_{RANGE} | | | | | | | | | | | | | | |
| 0000 | 5°C | | | | | | | | | | | | | | |
| 0001 | 10°C | | | | | | | | | | | | | | |
| 0010 | 20°C | | | | | | | | | | | | | | |
| 0011 | 40°C | | | | | | | | | | | | | | |
| 0100 | 80°C | | | | | | | | | | | | | | |
| <7:4> | Temp x* T _{HYST} | R/W | <p>This nibble allows programmability of the Hysteresis level around the temperature at which the fan being controlled by Temp x* will switch on in automatic fan speed control mode. Values from 0°C to 15°C are possible. If a value other than 0°C is programmed as a Hysteresis value, the fan will switch on when Temp x* goes above T_{MIN}, but will remain on until Temp x* falls below T_{MIN}-T_{HYST}. Between T_{MIN}-T_{HYST} and T_{MIN} the fan will run at the programmed minimum pulsewidth in the Fan x* Speed 1 register.</p> | | | | | | | | | | | | |

* "x" denotes the number of the temperature channel. Register 88h is for the Local temperature channel, 89h is for Remote 1 Temp (D1), 8Ah is for Remote 2 Temp (D2).

Table 33. REGISTER 90H, 91H, 92H – TEMP X* HIGH LIMIT (POWER-ON DEFAULT 80°C FOR LOCAL SENSOR, 100°C FOR REMOTE SENSORS)

| Bit | Name | R/W | Description |
|-------|--------------------|-----|--|
| <7:0> | Temp x* High Limit | R/W | This register contains the high limit value for the Temp x* measurement. |

* "x" denotes the number of the temperature channel. Register 90h is for the Local temperature channel. 91h is for Remote 1 Temp (D1), 92h is for Remote 2 Temp (D2).

Table 34. REGISTER 98H, 99H, 9AH – TEMP X* LOW LIMIT (POWER-ON DEFAULT 60°C FOR LOCAL SENSOR, 70°C FOR REMOTE SENSORS)

| Bit | Name | R/W | Description |
|-------|-------------------|-----|---|
| <7:0> | Temp x* Low Limit | R/W | This register contains the low limit value for the Temp x* measurement. |

* "x" denotes the number of the temperature channel. Register 98h is for the Local temperature channel. 99h is for Remote 1 Temp (D1), 9Ah is for Remote 2 Temp (D2).

Table 35. REGISTER A0H, A1H, A2H – TEMP X* MEASURED VALUE (POWER-ON DEFAULT 00H)

| Bit | Name | R/W | Description |
|-------|---------------|-----|---|
| <7:0> | Temp x* Value | R | This register contains the actual Temp x* measured value. |

* "x" denotes the number of the temperature channel. Register A0h is for the Local temperature channel. A1h is for Remote 1 Temp (D1), A2h is for Remote 2 Temp (D2).

ADM1029

FAN REGISTERS

Table 36. REGISTER 02H – FAN SUPPORTED BY CONTROLLER (POWER-ON DEFAULT 03H)

| Bit | Name | R/W | Description |
|-----|-----------|-----|--|
| 0 | Fan 1 = 1 | R | This bit set to 1 means the ADM1029 can support Fan 1. |
| 1 | Fan 2 = 1 | R | This bit set to 1 means the ADM1029 can support Fan 2. |
| 2 | Reserved | R | Unused. Will read back 0. |
| 3 | Reserved | R | Unused. Will read back 0. |
| 4 | Reserved | R | Unused. Will read back 0. |
| 5 | Reserved | R | Unused. Will read back 0. |
| 6 | Reserved | R | Unused. Will read back 0. |
| 7 | Reserved | R | Unused. Will read back 0. |

Table 37. REGISTER 03H – FANS SUPPORTED IN SYSTEM (POWER-ON DEFAULT 0000 00?1)

| Bit | Name | R/W | Description |
|-----|-----------|-----|---|
| 0 | Fan 1 = 1 | R/W | Indicates that Fan 1 is being used. Set to 1 on power-up, but can be overwritten by software. |
| 1 | Fan 2 = ? | R/W | Indicates that Fan 2 is being used. Set by Pin 18 (TMIN/INSTALL) on power-up, but can be overwritten by software. |
| 2 | Reserved | R | Unused. Will read back 0. |
| 3 | Reserved | R | Unused. Will read back 0. |
| 4 | Reserved | R | Unused. Will read back 0. |
| 5 | Reserved | R | Unused. Will read back 0. |
| 6 | Reserved | R | Unused. Will read back 0. |
| 7 | Reserved | R | Unused. Will read back 0. |

NOTE: Question marks on this and following pages indicate bit settings that depend on the state of certain pins on power-up.

Table 38. REGISTER 07H – SET FAN X ALARM SPEED (POWER-ON DEFAULT 00H)

| Bit | Name | R/W | Description |
|-----|-----------------------|-----|---|
| 0 | Fan 1 Alarm Speed = 0 | R/W | When set to 1, Fan 1 will run at Alarm Speed. |
| 1 | Fan 2 Alarm Speed = 0 | R/W | When set to 1, Fan 2 will run at Alarm Speed. |
| 2 | Reserved | R | Unused. Will read back 0. |
| 3 | Reserved | R | Unused. Will read back 0. |
| 4 | Reserved | R | Unused. Will read back 0. |
| 5 | Reserved | R | Unused. Will read back 0. |
| 6 | Reserved | R | Unused. Will read back 0. |
| 7 | Reserved | R | Unused. Will read back 0. |

Table 39. REGISTER 08H – SET FAN X HOT-PLUG SPEED (POWER-ON DEFAULT 00H)

| Bit | Name | R/W | Description |
|-----|--------------------------|-----|--|
| 0 | Fan 1 Hot-Plug Speed = 0 | R/W | When set to 1, Fan 1 will run at Hot-Plug Speed. |
| 1 | Fan 2 Hot-Plug Speed = 0 | R/W | When set to 1, Fan 2 will run at Hot-Plug Speed. |
| 2 | 0 | R | Unused. Will read back 0. |
| 3 | 0 | R | Unused. Will read back 0. |
| 4 | 0 | R | Unused. Will read back 0. |
| 5 | 0 | R | Unused. Will read back 0. |
| 6 | 0 | R | Unused. Will read back 0. |
| 7 | 0 | R | Unused. Will read back 0. |

ADM1029

Table 40. REGISTER 09H – SET FAN X FULL SPEED (POWER-ON DEFAULT 00H)

| Bit | Name | R/W | Description |
|-----|----------------------|-----|---|
| 0 | Fan 1 Full Speed = 0 | R/W | When set to 1 Fan 1 will run at Full Speed. |
| 1 | Fan 2 Full Speed = 0 | R/W | When set to 1 Fan 2 will run at Full Speed. |
| 2 | Reserved | R | Unused. Will read back 0. |
| 3 | Reserved | R | Unused. Will read back 0. |
| 4 | Reserved | R | Unused. Will read back 0. |
| 5 | Reserved | R | Unused. Will read back 0. |
| 6 | Reserved | R | Unused. Will read back 0. |
| 7 | Reserved | R | Unused. Will read back 0. |

Table 41. REGISTER 0CH – FAN SPIN-UP REGISTER (POWER-ON DEFAULT 03H)

| Bit | Name | R/W | Description |
|-------|------------------|-----|--|
| <7:4> | Reserved | R | Unused |
| 3 | Spin-up Disable | R/W | When this bit is set to 1, fan spin-up to full speed will be disabled. |
| <2:0> | Fan Spin-up Time | R/W | These bits select the spin-up time for the fans 000 = 16 seconds 001 = 8 seconds 010 = 4 seconds 011 = 2 seconds (Default) 100 = 1 second 101 = 1/4 second 110 = 1/16 second 111 = 1/64 second |

Table 42. REGISTER 10H, 11H – FAN X* STATUS (POWER-ON DEFAULT 0000 0?0?)

| Bit | Name | R/W | Description |
|-------|-------------------|-----|---|
| <7:4> | Reserved | R | Unused |
| 0 | Missing = x | R | Reflects the state of Pins 4/21. Low means Fan x* is installed, High means it is missing. This bit will automatically return Low if a missing fan is replaced. |
| 1 | Missing_L = 0 | R/W | This bit is edge-triggered and latches a Fan x* missing event on removal of Fan x*. This bit is cleared by writing a 0 to it. |
| 2 | Fault_ = x | R | Inverse of Pin 2/23. Low on pin means Fan x* has a fault (Pins 2/23 Low), High on pin means it is OK. This bit will automatically return Low if Pin 2/23 goes high. |
| 3 | Fault_L_ = 0 | R/W | This bit is edge-triggered and latches a Fan x* fault event on Pin 2/23. This bit is cleared by writing a 0 to it. If the PRESENT pin for a fan input is high (fan not installed) this bit will be cleared automatically. |
| 4 | Sleep = 0 | R/W | When this bit is set, Fan x* will be stopped and no Fan x* faults will be monitored. If Bit 4 in Fan x* Fault Action Register is set then Fan x* will go to Alarm Speed if an overtemperature event is detected as per settings in the Temp Fault Action Registers. |
| 5 | Hot Plug Priority | R/W | This bit indicates whether Fan x* runs at Hot-Plug Speed (bit set to 1) or Alarm Speed (bit set to 0) if both modes are triggered. |
| 6 | Tach_Fault_L | R/W | Latches a Fan x* Tach fault. This bit is cleared by writing a 0 to it. If the PRESENT pin for a fan input is high (fan not installed) this bit will be cleared automatically. |
| 7 | Hot_Plug_L | R/W | This bit is edge-triggered and latches a Fan x* Hot-Plug event which is the insertion of Fan x*. (Note difference to Bit 1) This bit is cleared by writing a 0 to it. If a fan is Hot-Plug installed, it will run at Normal Speed. |

* "x" denotes the fan number. Register 10h is for Fan 1 and Register 11h is for Fan 2.

NOTE: Question marks on this and following pages indicate bit settings that depend on the state of certain pins on power-up.

Table 43. REGISTER 18H, 19H – FAN X* FAULT ACTION (POWER-ON DEFAULT BFH)

| Bit | Name | R/W | Description |
|-----|---|-----|--|
| 0 | Assert $\overline{\text{CFAULT}}$ on Fault = 1 | R/W | If this bit is set, $\overline{\text{CFAULT}}$ will be asserted when there is a fault (Tach or Pins 2/23) on Fan x*. |
| 1 | Assert $\overline{\text{INT}}$ on Fault = 1 | R/W | If this bit is set, $\overline{\text{INT}}$ will be asserted when there is a fault (Tach or Pins 2/23) on Fan x*. |
| 2 | Assert $\overline{\text{CFAULT}}$ on Hot Unplug = 1 | R/W | If this bit is set, $\overline{\text{CFAULT}}$ will be asserted when there is a hot unplug event on Fan x*. |
| 3 | Assert $\overline{\text{INT}}$ on Hot Unplug = 1 | R/W | If this bit is set, $\overline{\text{INT}}$ will be asserted when there is a hot unplug event on Fan x*. |
| 4 | Thermal Override in Sleep = 1 | R/W | If Bit 4 in Fan x* Status Register is set then Fan x* will go to Alarm Speed if an overtemperature event is detected as per settings in Temp x* Fault Action Registers, while this bit is set. |
| 5 | Drive Fault_ on Fault_L = 1 | R/W | If Bit 3 or Bit 6 of Reg 10 is set, drive Pins 2, 23 low if a fault is generated. |
| 6 | Hot-Plug Speed on $\overline{\text{CFAULT}}$ in = 0 | R/W | When this bit is set, Fan x* will go to Hot-Plug Speed when $\overline{\text{CFAULT}}$ is pulled low externally. |
| 7 | Alarm on $\overline{\text{CFAULT}}$ = 1 | R/W | When this bit is set, Fan x* will go to Alarm Speed when $\overline{\text{CFAULT}}$ is pulled low externally. |

* "x" denotes the fan number. Register 18h is for Fan 1 and Register 19h is for Fan 2.

Table 44. REGISTER 20H, 21H – FAN X* EVENT MASK (POWER-ON DEFAULT FFH)

| Bit | Name | R/W | Description |
|-----|-----------|-----|---|
| 0 | Fan 1 = 1 | R/W | If a fault (Tach or Pins 2/23) is detected on Fan x*, Fan 1 will be driven to Alarm Speed when this bit is set. |
| 1 | Fan 2 = 1 | R/W | If a fault (Tach or Pins 2/23) is detected on Fan x*, Fan 2 will be driven to Alarm Speed when this bit is set. |
| 2 | Reserved | R | Unused. Will read back 1. |
| 3 | Reserved | R | Unused. Will read back 1. |
| 4 | Reserved | R | Unused. Will read back 1. |
| 5 | Reserved | R | Unused. Will read back 1. |
| 6 | Reserved | R | Unused. Will read back 1. |
| 7 | Reserved | R | Unused. Will read back 1. |

* "x" denotes the fan number. Register 20h is for Fan 1 and Register 21h is for Fan 2.

Table 45. REGISTER 60H, 61H – FAN X* MINIMUM/ALARM SPEED (POWER-ON DEFAULT FFH)

| Bit | Name | R/W | Description |
|-----|---------------------|-----|---|
| 3–0 | Fan x Minimum Speed | R/W | This nibble contains the Normal speed value for Fan x*. When in automatic fan this nibble will contain the minimum speed at which Fan x* will run. The power-up default for the Min Speed should be 5hex which corresponds to 33% PWM duty cycle. |
| 7–4 | Fan x Alarm Speed | R/W | This nibble contains the Alarm speed value for Fan x*. |

* "x" denotes the fan number. Register 60h is for Fan 1 and 61h is for Fan 2.

ADM1029

Table 46. REGISTER 68H, 69H – FAN X* CONFIGURATION (POWER-ON DEFAULT 2FH)

| Bit | Name | R/W | Description |
|-------|-----------------------|-----|---|
| <3:0> | Fan x* Hot-Plug Speed | R/W | This nibble contains the Hot-plug speed value for Fan x*. This is the speed the other fan(s) runs at if Fan x* is Hot-plug removed. If a fan is Hot-plug installed, it will run at Normal Speed. |
| <5:4> | PWM Frequency | R/W | These bits allow programmability of the Nominal PWM Frequency for Fan x*. The following options are supported: Bits 5–4 PWM Freq 00 15.625 Hz 01 62.5 Hz 10 250 Hz (Default) 11 1000 Hz |
| <7:6> | Oscillator Frequency | R/W | These bits contain the oscillator frequency for the Fan x* tach measurement. If set to 00, tach measurement is disabled for Fan x*. Bit 7 Bit 6 Oscillator Frequency (Hz) 0 0 Measurement Disabled 0 1 470 1 0 940 1 1 1880 |

* "x" denotes the fan number. Register 68h is for Fan 1 and 69h is for Fan 2.

Table 47. REGISTER 70H, 71H – FAN X* TACH VALUE (POWER-ON DEFAULT 00H)

| Bit | Name | R/W | Description |
|-------|-------------------|-----|--|
| <7:0> | Fan x* Tach Value | R | This register contains the value of the Fan x* tachometer measurement. |

* "x" denotes the fan number. Register 70h is for Fan 1 and 71h is for Fan 2.

Table 48. REGISTER 78H, 79H – FAN X* TACH HIGH LIMIT (POWER-ON DEFAULT FFH)

| Bit | Name | R/W | Description |
|-------|------------------------|-----|--|
| <7:0> | Fan x* Tach High Limit | R/W | This register contains the limit value for the Fan x* tachometer measurement. Since the tachometer circuit counts between tach pulses, a slow fan will result in a larger measured value, so exceeding the limit is the way to detect a slow or stopped fan. |

* "x" denotes the fan number. Register 78h is for Fan 1 and 79h is for Fan 2.

ADM1029

GPIO REGISTERS

Table 49. REGISTER 04H – GPIOS SUPPORTED BY CONTROLLER (POWER-ON DEFAULT 7FH)

| Bit | Name | R/W | Description |
|-----|---------------------|-----|---|
| 0 | GPIO 0 = 1 (Pin 19) | R | This bit set to 1 means the ADM1029 can support GPIO0, available on Pin 19. |
| 1 | GPIO 1 = 1 (Pin 20) | R | This bit set to 1 means the ADM1029 can support GPIO1, available on Pin 20. |
| 2 | GPIO 2 = 1 (Pin 11) | R | This bit set to 1 means the ADM1029 can support GPIO2, available on Pin 11. |
| 3 | GPIO 3 = 1 (Pin 13) | R | This bit set to 1 means the ADM1029 can support GPIO3, available on Pin 13. |
| 4 | GPIO 4 = 1 (Pin 14) | R | This bit set to 1 means the ADM1029 can support GPIO4, available on Pin 14. |
| 5 | GPIO 5 = 1 (Pin 16) | R | This bit set to 1 means the ADM1029 can support GPIO5, available on Pin 16. |
| 6 | GPIO 6 = 1 (Pin 17) | R | This bit set to 1 means the ADM1029 can support GPIO6, available on Pin 17. |
| 7 | Reserved | R | Unused. Will read back 0. |

Table 50. REGISTER 05H – GPIO PRESENT/AIN (POWER-ON DEFAULT 0????111)

| Bit | Name | R/W | Description |
|-----|------------|-----|---|
| 0 | GPIO 0 = 1 | R/W | Indicates that GPIO0 is being used. Set to 1 on power-up, but can be overwritten by software. Setting this bit to 0 means AIN0 is being used. |
| 1 | GPIO 1 = 1 | R/W | Indicates that GPIO1 is being used. Set to 1 on power-up, but can be overwritten by software. Setting this bit to 0 means AIN1 is being used. |
| 2 | GPIO 2 = 1 | R/W | Indicates that GPIO2 is being used. Set to 1 on power-up, but can be overwritten by software. |
| 3 | GPIO 3 = ? | R/W | Indicates that GPIO3 is being used. Setting this bit to 0 means TDM1 is being used. The ADM1029 can detect on power-up if TDM1 is connected. If so then this bit is set to 0, otherwise it is set to 1. The default setting can be overwritten by software. |
| 4 | GPIO 4 = ? | R/W | Indicates that GPIO4 is being used. Setting this bit to 0 means TDM1 is being used. The ADM1029 can detect on power-up if TDM1 is connected. If so then this bit is set to 0, otherwise it is set to 1. The default setting can be overwritten by software. |
| 5 | GPIO 5 = ? | R/W | Indicates that GPIO5 is being used. Setting this bit to 0 means TDM2 is being used. The ADM1029 can detect on power-up if TDM2 is connected. If so then this bit is set to 0, otherwise it is set to 1. The default setting can be overwritten by software. |
| 6 | GPIO 6 = ? | R/W | Indicates that GPIO6 is being used. Setting this bit to 0 means TDM2 is being used. The ADM1029 can detect on power-up if TDM2 is connected. If so then it is set to 1. The default setting can be overwritten by software. |
| 7 | Reserved | R | Unused. Will read back 0. |

NOTE: Question marks on this and following pages indicate bit settings that depend on the state of certain pins on power-up.

ADM1029

Table 51. REGISTER 28H, 29H, 2AH, 2BH, 2CH, 2DH, 2EH – GPIOx* BEHAVIOR (POWER-ON DEFAULT 00H)

| Bit | Name | R/W | Description |
|-----|---------------|----------|---|
| 0 | Direction = 0 | R/W | This bit indicates the direction for GPIOx* pin. When set to 1 GPIOx* will function as an input, when 0 GPIOx* will function as an output. |
| 1 | Polarity = 0 | R/W | This bit indicates the polarity of the GPIOx* pin. When set to 1 GPIOx* will be active high, when 0 GPIOx* will be active low. |
| 2 | Bit 2 = 0 | R/W | If GPIOx* is configured as an input, \overline{CFAULT} will be asserted if GPIOx* pin is asserted while this bit is set. If GPIO2 is configured as an output, GPIO2 will be asserted if a temperature High limit is exceeded while this bit is set. If automatic fan speed control is enabled, this bit will be set by default. This can be used as a SHUTDOWN signal for a catastrophic overtemperature event. |
| 3 | Bit 3 = 0 | R/W | If GPIOx* is configured as an input, \overline{INT} will be asserted if GPIOx* pin is asserted while this bit is set. If GPIOx* is configured as an output, GPIOx* will be asserted if a temperature Low limit is exceeded while this bit is set. |
| 4 | Bit 4 = 0 | R/W | If GPIOx* is configured as an input, Fans will go to Alarm Speed if GPIOx* pin is asserted while this bit is set. If GPIOx* is configured as an output, GPIOx* will be asserted if a Fan Tach limit is exceeded while this bit is set. |
| 5 | Bit 5 = 0 | R/W | If GPIOx* is configured as an input, Fans will go to Hot-plug Speed if GPIOx* pin is asserted while this bit is set. If GPIOx* is configured as an output, GPIOx* will be asserted if a Fan Fault (Pins 2/23) is detected while this bit is set. |
| 6 | Bit 6 = 0 | R R/W | If GPIOx* is configured as an input, this bit will reflect state of GPIOx* pin. If GPIOx* is configured as an output, GPIOx will be asserted if an AIN high limit is exceeded while this bit is set. |
| 7 | Bit 7 = 0 | R/W | If GPIOx* is configured as an input, this bit will latch a GPIOx* assertion event. This bit is cleared by writing a 0 to it. If GPIOx* is configured as an output, GPIOx* will be asserted if an AIN Low limit is exceeded while this bit is set. |

* "x" denotes the number of the GPIO pin. Register 28h controls GPIO0, 29h controls GPIO1, etc.

Table 52. REGISTER 38H, 39H, 3AH, 3BH, 3CH, 3DH, 3EH – GPIOx* EVENT MASK (POWER-ON DEFAULT 00H)

| Bit | Name | R/W | Description |
|-----|-----------|-----|---|
| 0 | Fan 1 = 0 | R/W | If GPIOx* is asserted such that fans should be driven at Alarm or Hot-plug Speed, Fan 1 will be set to this speed when this bit is set. |
| 1 | Fan 2 = 0 | R/W | If GPIOx* is asserted such that fans should be driven at Alarm or Hot-plug Speed, Fan 2 will be set to this speed when this bit is set. |
| 2 | Reserved | R | Unused. Will read back 0. |
| 3 | Reserved | R | Unused. Will read back 0. |
| 4 | Reserved | R | Unused. Will read back 0. |
| 5 | Reserved | R | Unused. Will read back 0. |
| 6 | Reserved | R | Unused. Will read back 0. |
| 7 | Reserved | R | Unused. Will read back 0. |

* "x" denotes the number of the GPIO pin. Register 38h is for GPIO0, 39h is for GPIO1 etc.

ADM1029

AIN REGISTERS

Table 53. REGISTER 05H – GPIO PRESENT/AIN (POWER-ON DEFAULT 0????111)

| Bit | Name | R/W | Description |
|-----|------------|-----|---|
| 0 | GPIO 0 = 1 | R/W | Indicates that GPIO0 is being used. Set to 1 on power-up, but can be overwritten by software. Setting this bit to 0 means AIN0 is being used. |
| 1 | GPIO 1 = 1 | R/W | Indicates that GPIO1 is being used. Set to 1 on power-up, but can be overwritten by software. Setting this bit to 0 means AIN1 is being used. |
| 2 | GPIO 2 = 1 | R/W | Indicates that GPIO2 is being used. Set to 1 on power-up, but can be overwritten by software. |
| 3 | GPIO 3 = ? | R/W | Indicates that GPIO3 is being used. Setting this bit to 0 means TDM1 is being used. The ADM1029 can detect on power-up if TDM1 is connected. If so, this bit is set to 0; otherwise it is set to 1. The default setting can be overwritten by software. |
| 4 | GPIO 4 = ? | R/W | Indicates that GPIO4 is being used. Setting this bit to 0 means TDM1 is being used. The ADM1029 can detect on power-up if TDM1 is connected. If so, this bit is set to 0; otherwise it is set to 1. The default setting can be overwritten by software. |
| 5 | GPIO 5 = ? | R/W | Indicates that GPIO5 is being used. Setting this bit to 0 means TDM2 is being used. The ADM1029 can detect on power-up if TDM2 is connected. If so, this bit is set to 0; otherwise it is set to 1. The default setting can be overwritten by software. |
| 6 | GPIO 6 = ? | R/W | Indicates that GPIO6 is being used. Setting this bit to 0 means TDM2 is being used. The ADM1029 can detect on power-up if TDM2 is connected. If so, this bit is set to 0; otherwise it is set to 1. The default setting can be overwritten by software. |
| 7 | Reserved | R | Unused. Will read back 0. |

NOTE: Question marks on this and following pages indicate bit settings that depend on the state of certain pins on power-up.

Table 54. REGISTER 50H, 51H – AINX* BEHAVIOR (POWER-ON DEFAULT 00H)

| Bit | Name | R/W | Description |
|-----|--|-----|---|
| 0 | Assert \overline{CFAULT} on HI_LIM = 0 | R/W | When this bit is set, \overline{CFAULT} is asserted when AINx* exceeds the AINx* high limit. |
| 1 | Alarm speed on HI_LIM = 0 | R/W | When this bit is set, the fans go to alarm speed when AINx* exceeds the AINx* high limit. |
| 2 | \overline{INT} on HI_LIM = 0 | R/W | When this bit is set, \overline{INT} is asserted when AINx* exceeds the AINx* high limit. |
| 3 | Alarm below low = 0 | R/W | This bit indicates whether an alarm (\overline{INT} , \overline{CFAULT} or Alarm Speed) is asserted when AINx* goes above or below the Low Limit. 1 = above. 0 = below. |
| 4 | Assert \overline{CFAULT} on LO_LIM = 0 | R/W | When this bit is set, \overline{CFAULT} is asserted when AINx* crosses the AINx* low limit. Bit 3 decides whether \overline{CFAULT} is asserted for going above or below the Low Limit. |
| 5 | Alarm speed on LO_LIM = 0 | R/W | When this bit is set, the fans go to alarm speed when AINx* crosses the AINx* low limit. Bit 3 decides whether Alarm Speed is asserted for going above or below the Low Limit. |
| 6 | \overline{INT} on LO_LIM = 0 | R/W | When this bit is set, \overline{INT} is asserted when AINx* crosses the AINx* low limit. Bit 3 decides whether \overline{INT} is asserted for going above or below the Low Limit. |
| 7 | Latch AIN Fault = 0 | R/W | This bit latches an out-of-limit event (i.e., when AINx* goes above the high limit or crosses the low limit) on the AINx* channel. This bit is cleared by writing a 0 to it. |

* "x" denotes the number of the AIN channel. Register 50h controls AIN0 and 51h controls AIN1.

Table 55. REGISTER 58H, 59H – AINX* EVENT MASK (POWER-ON DEFAULT 00H)

| Bit | Name | R/W | Description |
|-----|-----------|-----|---|
| 0 | Fan 1 = 0 | R/W | If an AINx* out-of-limit event is generated such that fans should be driven at Alarm Speed, Fan 1 will be set to this speed when this bit is set. |
| 1 | Fan 2 = 0 | R/W | If an AINx* out-of-limit event is generated such that fans should be driven at Alarm Speed, Fan 2 will be set to this speed when this bit is set. |
| 2 | Reserved | R/W | Undefined |
| 3 | Reserved | R/W | Undefined |
| 4 | Reserved | R/W | Undefined |
| 5 | Reserved | R/W | Undefined |
| 6 | Reserved | R/W | Undefined |
| 7 | Reserved | R/W | Undefined |

* "x" denotes the number of the AIN channel. Register 58h is for AIN0 and 59h is for AIN1.

Table 56. REGISTER A8H, A9H – AINX* HIGH LIMIT (POWER-ON DEFAULT FFH)

| Bit | Name | R/W | Description |
|-------|------------------|-----|---|
| <7:0> | AINx* High Limit | R/W | This register contains the high limit value for the AINx* analog input channel. |

* "x" denotes the number of the AIN channel. Register A8h is for AIN0 and A9h is for AIN1.

Table 57. REGISTER B0H, B1H – AINX* LOW LIMIT (POWER-ON DEFAULT 00H)

| Bit | Name | R/W | Description |
|-------|------------------|-----|---|
| <7:0> | AINx* High Limit | R/W | This register contains the high limit value for the AINx* analog input channel. |

* "x" denotes the number of the AIN channel. Register B0h is for AIN0 and B1h is for AIN1.

Table 58. REGISTER B8H, B9H – AINX* MEASURED VALUE (POWER-ON DEFAULT 00H)

| Bit | Name | R/W | Description |
|-------|-------------|-----|--|
| <7:0> | AINx* Value | R | This register contains the measured value of the AINx* analog input channel. |

* "x" denotes the number of the AIN channel. Register B8h is for AIN0 and B9h is for AIN1.

ADM1029

MISCELLANEOUS REGISTERS

Table 59. REGISTER 0BH – S/W RESET (POWER-ON DEFAULT 00H)

| Bit | Name | R/W | Description |
|-------|-----------|-----|--|
| <7:0> | S/W Reset | R/W | Writing A6 hex to this register location causes a software reset identical to a power-on reset. This register is self-clearing so reading from it after the software reset has completed will result in 00 hex being read. |

Table 60. REGISTER 0DH – MANUFACTURER'S ID (POWER-ON DEFAULT 41H)

| Bit | Name | R/W | Description |
|-------|------------------------|-----|---|
| <7:0> | Manufacturer's ID Code | R | This register contains the manufacturer's ID code for the device. |

Table 61. REGISTER 0EH – REVISION (POWER-ON DEFAULT 00H)

| Bit | Name | R/W | Description |
|-------|---------------------|-----|---|
| <3:0> | Minor Revision Code | R | This nibble contains the manufacturer's code for minor revisions to the device. |
| <7:4> | Minor Revision Code | R | This nibble contains the manufacturer's code for major revisions to the device which would likely require a S/W revision. |

Table 62. REGISTER 0FH – MANUFACTURER'S TEST REGISTER (POWER-ON DEFAULT 00H)

| Bit | Name | R/W | Description |
|-------|---------------------|-----|--|
| <7:0> | Manufacturer's Test | R/W | This register is used by the manufacturer for test purposes. It should not be read from or written to in normal operation. |

Table 63. ORDERING INFORMATION TABLE

| Model* | Temperature Range | Package Type | Package Option | Shipping [†] |
|----------------|-------------------|--------------|----------------|-----------------------|
| ADM1029ARQZ-R7 | 0°C to 100°C | 24-lead QSOP | RQ-24 | 1,000 Tape & Reel |

* Z = Pb-free part.

[†]For information on tape and reel specifications, including part orientation and tape sizes, please refer to our Tape and Reel Packaging Specifications Brochure, BRD8011/D.

MECHANICAL CASE OUTLINE

PACKAGE DIMENSIONS

ON Semiconductor®



QSOP24 NB CASE 492B-01 ISSUE A

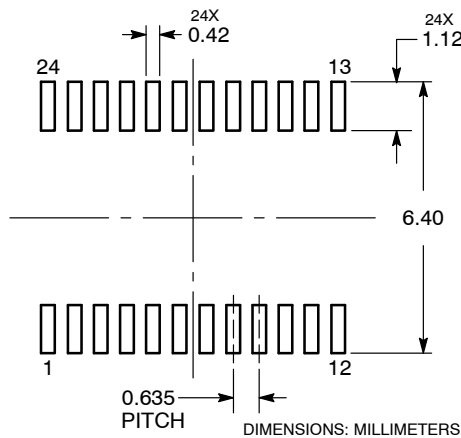
DATE 06 MAY 2008



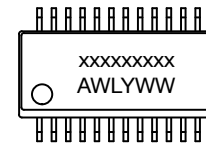
- NOTES:
1. DIMENSIONING AND TOLERANCING PER ASME Y14.5M, 1994.
 2. CONTROLLING DIMENSION: MILLIMETERS.
 3. DIMENSION b DOES NOT INCLUDE DAMBAR PROTRUSION.
 4. DIMENSION D DOES NOT INCLUDE MOLD FLASH, PROTRUSIONS, OR GATE BURRS. MOLD FLASH, PROTRUSIONS, OR GATE BURRS SHALL NOT EXCEED 0.15 PER SIDE. DIMENSION E1 DOES NOT INCLUDE INTERLEAD FLASH OR PROTRUSION. INTERLEAD FLASH OR PROTRUSION SHALL NOT EXCEED 0.15 PER SIDE. D AND E1 ARE DETERMINED AT DATUM H.
 5. DATUMS A AND B ARE DETERMINED AT DATUM H.

| MILLIMETERS | | |
|-------------|-----------|------|
| DIM | MIN | MAX |
| A | 1.35 | 1.75 |
| A1 | 0.10 | 0.25 |
| b | 0.20 | 0.30 |
| C | 0.19 | 0.25 |
| D | 8.65 BSC | |
| E | 6.00 BSC | |
| E1 | 3.90 BSC | |
| e | 0.635 BSC | |
| h | 0.22 | 0.50 |
| L | 0.40 | 1.27 |
| L2 | 0.25 BSC | |
| M | 0° | 8° |

SOLDERING FOOTPRINT



GENERIC MARKING DIAGRAM*



- xxx = Specific Device Code
- A = Assembly Location
- WL = Wafer Lot
- Y = Year
- WW = Work Week

*This information is generic. Please refer to device data sheet for actual part marking. Pb-Free indicator, "G", may or not be present.

| | | |
|------------------|-------------|--|
| DOCUMENT NUMBER: | 98AON04474D | Electronic versions are uncontrolled except when accessed directly from the Document Repository. Printed versions are uncontrolled except when stamped "CONTROLLED COPY" in red. |
| DESCRIPTION: | QSOP24 NB | PAGE 1 OF 1 |

ON Semiconductor and are trademarks of Semiconductor Components Industries, LLC dba ON Semiconductor or its subsidiaries in the United States and/or other countries. ON Semiconductor reserves the right to make changes without further notice to any products herein. ON Semiconductor makes no warranty, representation or guarantee regarding the suitability of its products for any particular purpose, nor does ON Semiconductor assume any liability arising out of the application or use of any product or circuit, and specifically disclaims any and all liability, including without limitation special, consequential or incidental damages. ON Semiconductor does not convey any license under its patent rights nor the rights of others.

onsemi, **Onsemi**, and other names, marks, and brands are registered and/or common law trademarks of Semiconductor Components Industries, LLC dba "**onsemi**" or its affiliates and/or subsidiaries in the United States and/or other countries. **onsemi** owns the rights to a number of patents, trademarks, copyrights, trade secrets, and other intellectual property. A listing of **onsemi**'s product/patent coverage may be accessed at www.onsemi.com/site/pdf/Patent-Marking.pdf. **onsemi** reserves the right to make changes at any time to any products or information herein, without notice. The information herein is provided "as-is" and **onsemi** makes no warranty, representation or guarantee regarding the accuracy of the information, product features, availability, functionality, or suitability of its products for any particular purpose, nor does **onsemi** assume any liability arising out of the application or use of any product or circuit, and specifically disclaims any and all liability, including without limitation special, consequential or incidental damages. Buyer is responsible for its products and applications using **onsemi** products, including compliance with all laws, regulations and safety requirements or standards, regardless of any support or applications information provided by **onsemi**. "Typical" parameters which may be provided in **onsemi** data sheets and/or specifications can and do vary in different applications and actual performance may vary over time. All operating parameters, including "Typicals" must be validated for each customer application by customer's technical experts. **onsemi** does not convey any license under any of its intellectual property rights nor the rights of others. **onsemi** products are not designed, intended, or authorized for use as a critical component in life support systems or any FDA Class 3 medical devices or medical devices with a same or similar classification in a foreign jurisdiction or any devices intended for implantation in the human body. Should Buyer purchase or use **onsemi** products for any such unintended or unauthorized application, Buyer shall indemnify and hold **onsemi** and its officers, employees, subsidiaries, affiliates, and distributors harmless against all claims, costs, damages, and expenses, and reasonable attorney fees arising out of, directly or indirectly, any claim of personal injury or death associated with such unintended or unauthorized use, even if such claim alleges that **onsemi** was negligent regarding the design or manufacture of the part. **onsemi** is an Equal Opportunity/Affirmative Action Employer. This literature is subject to all applicable copyright laws and is not for resale in any manner.

PUBLICATION ORDERING INFORMATION

LITERATURE FULFILLMENT:

Email Requests to: orderlit@onsemi.com

onsemi Website: www.onsemi.com

TECHNICAL SUPPORT

North American Technical Support:

Voice Mail: 1 800-282-9855 Toll Free USA/Canada

Phone: 011 421 33 790 2910

Europe, Middle East and Africa Technical Support:

Phone: 00421 33 790 2910

For additional information, please contact your local Sales Representative