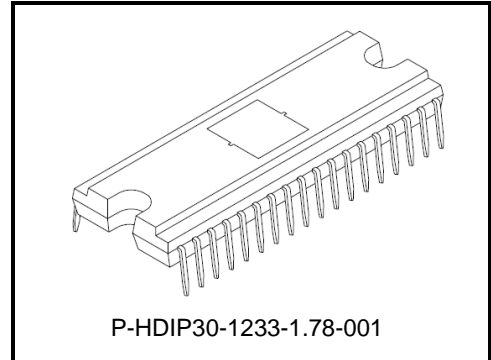


TB67B000AHG

High voltage

3-Phase Full-Wave PWM Brushless Motor Driver

The TB67B000AHG is a high-voltage PWM brushless motor driver. The product integrates a controller, which supports sine-wave PWM drive and wide-angle commutation and a high-voltage driver in a single package (“two-in-one”, i.e. MCP). It is designed to change the speed of a brushless motor directly by using a speed control analog signal from a microcontroller.

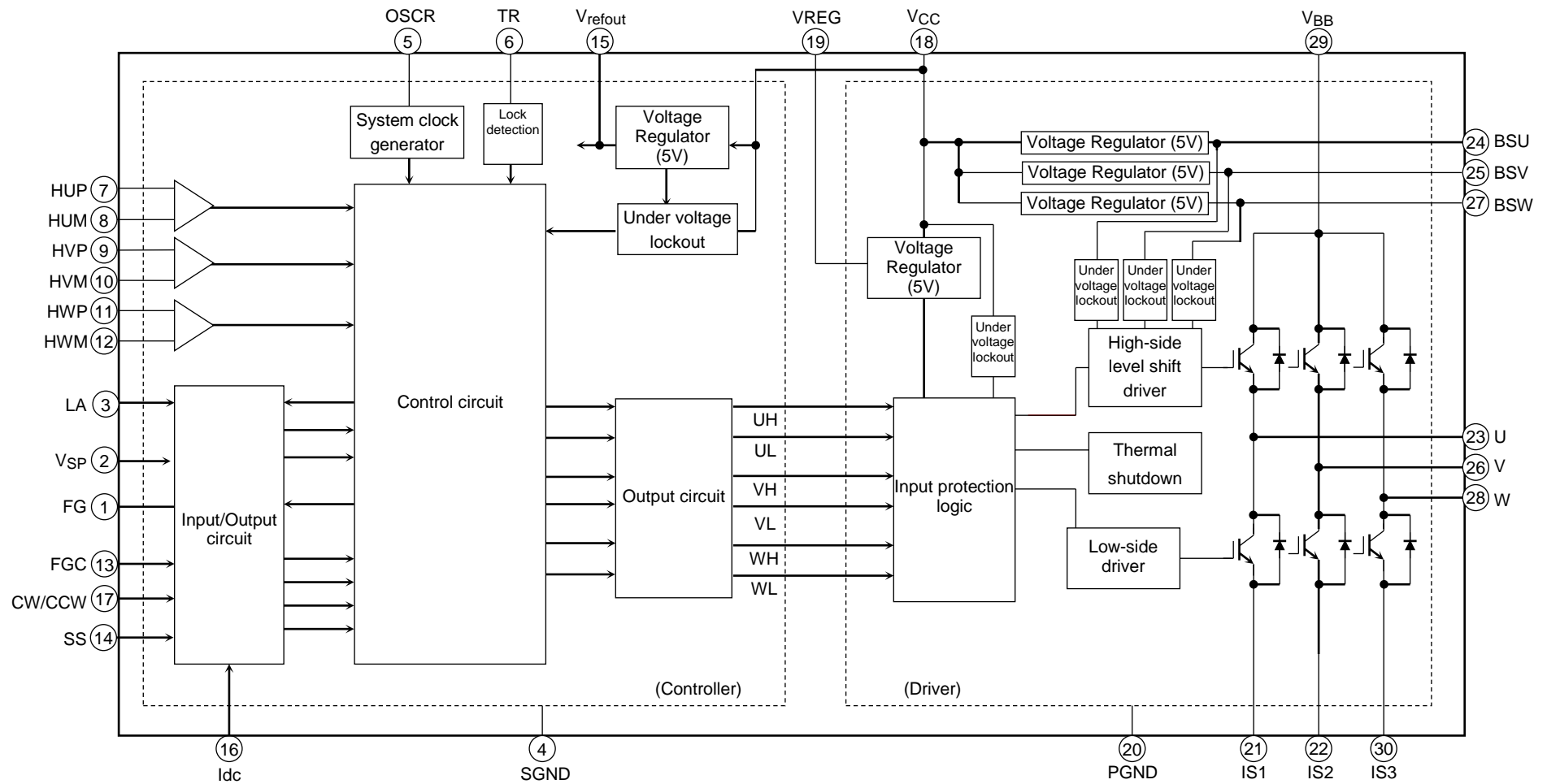


Weight: 2.59 g (typ.)

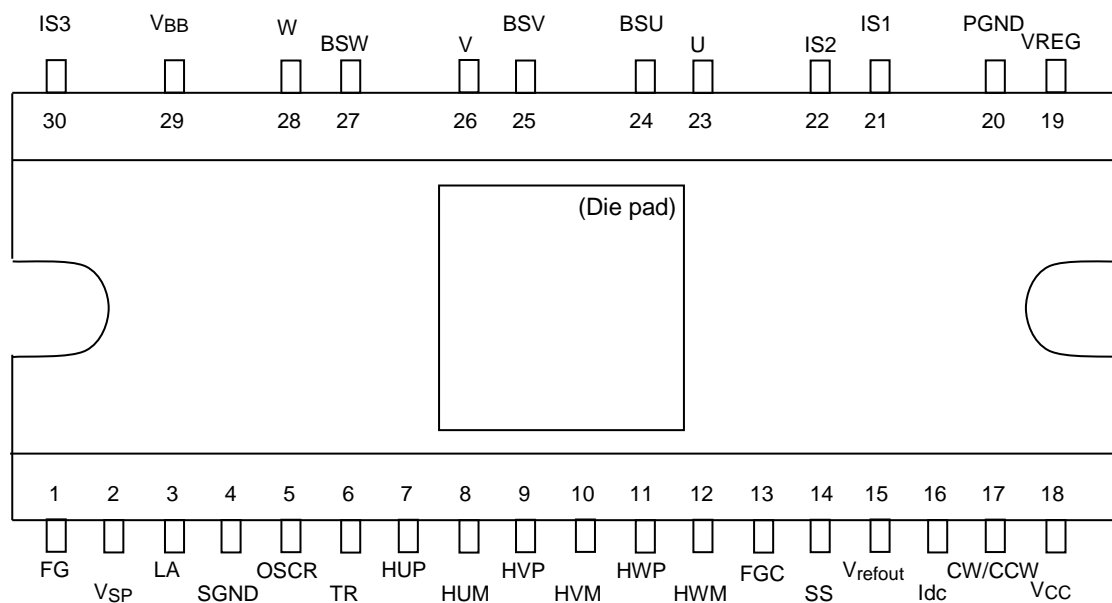
Features

- A Controller and a high-voltage driver integrated in a single package. Sine-wave PWM drive or wide-angle commutation drive is selectable.
- IGBTs are arranged in three-phase bridge unit
- Built-in oscillator circuit (carrier frequency = $f_{osc}/252$ (Hz))
- Bootstrap circuitry: Built-in bootstrap diode
- Built-in overcurrent protection, thermal shutdown, undervoltage lockout, and motor-lock detection.
- Internal voltage regulator circuit ($V_{REG} = 5$ V (typ.), 30 mA (max), $V_{refout} = 5$ V (typ.), 35 mA (max))
- Operating power supply voltage range: $V_{CC} = 13.5$ to 16.5 V
- Motor power supply operating voltage range: $V_{BB} = 50$ to 450 V

Block Diagram



Pin Assignment



Note: Die pad on the package surface and PGND are connected. When using the heat sink, handle it not to short to the IC pins. When applying the different potential with GND level to the heat sink, insulate with die pad and the heat sink.

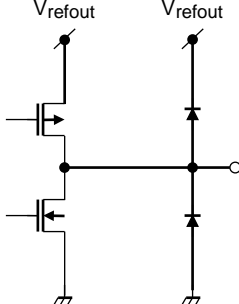
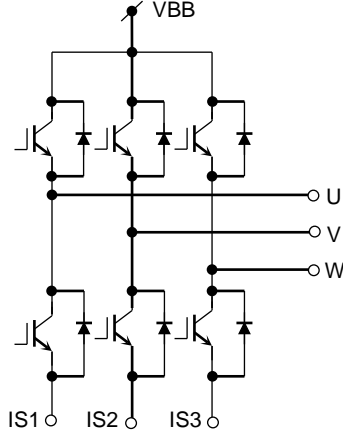
Pin Description

| Pin No. | Symbol | Description | Function |
|---------|--------------|--------------------------------------|--|
| 1 | FG | FG signal output | FGC = H: FG = output 1 ppr FGC = M: FG = output 2.4 ppr FGC = L: FG = output 3 ppr *ppr: one pulse per one electrical angle |
| 2 | VSP | Voltage command input | This pin has a pull-down resistor. (150 kΩ) |
| 3 | LA | Lead angle control input | This pin has a pull-down resistor. (200 kΩ) Input voltage range: 0 to 5 V (V_{refout}) SS = H: 0 to 28° in 16 steps. SS = L: 0 to 58° in 32 steps. |
| 5 | OSCR | Resistor for oscillation | Connect a resistor for internal clock oscillation. |
| 6 | TR | Motor lock detection | Connect a capacitor for motor lock detection oscillation or connect to GND. |
| 7 | HUP | U-phase hall input+ | When the hall signal inputs (UVW) are all Highs or all Lows, the gate block protection becomes active. Built-in digital filter ($\approx 1.6 \mu s$) |
| 8 | HUM | U-phase hall input- | |
| 9 | HVP | V-phase hall input+ | |
| 10 | HVM | V-phase hall input- | |
| 11 | HWP | W-phase hall input+ | |
| 12 | HWM | W-phase hall input- | |
| 13 | FGC | FG output signal switch | This pin has a pull-down resistor. (100 kΩ) H: FG = output 1 ppr. M: FG = output 2.4 ppr. L: FG = output 3 ppr. *ppr: one pulse per one electrical angle |
| 15 | V_{refout} | Reference voltage output | 5 V (typ.), 35 mA (max), Connecting a capacitor for voltage stability. |
| 14 | SS | Switch for commutation waveform | This pin has a pull-down resistor. (100 kΩ) H: Wide-angle commutation (150° commutation) L: Sine-wave PWM drive (180° commutation) |
| 17 | CW/CCW | Forward/Reverse switching input | This pin has a pull-down resistor. (100 kΩ) H: Forward L: Reverse |
| 16 | Idc | Current limit input | This pin has a pull-up resistor. (200 kΩ) DC link input Reference potential of 0.5 V. This pin has a RC filter ($\approx 1 \mu s$) and a digital filter ($\approx 0.6 \mu s$). |
| 4 | SGND | Ground pin | Signal ground. Connect with PGND. |
| 19 | VREG | Reference voltage output | 5 V (typ.), 30 mA (max). Connecting a capacitor for voltage stability. |
| 18 | VCC | Power supply pin for the power stage | 15 V (typ.) |
| 20 | PGND | Ground pin | Power ground Connect with SGND. |
| 23 | U | U-phase output pin | — |
| 24 | BSU | Bootstrap supply (phase U) | For connecting a bootstrap capacitor to the U-phase output. |
| 21 | IS1 | U-phase IGBT emitter | For connecting a detecting resistor for motor coil current to the PGND pin. |
| 22 | IS2 | V-phase IGBT emitter | For connecting a detecting resistor for motor coil current to the PGND pin. |
| 25 | BSV | Bootstrap supply (phase V) | For connecting a bootstrap capacitor to the V-phase output. |
| 26 | V | V-phase output pin | — |
| 29 | VBB | High-voltage power supply pin | Power supply pin for driving a motor. |
| 27 | BSW | Bootstrap supply (phase W) | For connecting a bootstrap capacitor to the W-phase output. |
| 28 | W | W-phase output pin | — |
| 30 | IS3 | W-phase IGBT emitter | For connecting a detecting resistor for motor coil current to the PGND pin. |

Input/Output Equivalent Circuits

Equivalent circuit diagrams may be partially omitted or simplified for explanatory purposes.

| Pin | Input/Output Signal | Internal Circuit |
|--|--|------------------|
| HUP HUM HVP HVM HWP HWM | Analog / Digital Hysteresis: ± 7.5 mV (typ.) Digital filter : 1.6 μ s (typ.) | |
| VSP | Analog VSP input range: 0 to 10 V Internal pull-down resistor: 150 k Ω | |
| CW/CCW SS | Digital L: 0.8 V (max) H: Vrefout - 1 V (min) Internal pull-down resistor: 100 k Ω | |
| LA | Analog LA input range: 0 to 5 V (Vrefout) Internal pull-down resistor: 200 k Ω | |
| Idc | Analog Analog filter time constant: 1.0 μ s (typ.) Digital filter time constant: 0.6 μ s (typ.) Internal pull-up resistor: 200 k Ω | |
| FGC | Digital L: 0.8 V (max) M: 2.0 V(min) 3.0 V(max) H: Vrefout - 1 V (min) Internal pull-down resistor: 100 k Ω | |

| Pin | Input/Output Signal | Internal Circuit |
|----------------------------------|--|---|
| FG | Digital Push-pull output ± 2 mA (max) FGC = H: 1 ppr FGC = M: 2.4 ppr FGC = L: 3 ppr |  |
| U V W IS1 IS2 IS3 | U, V, W-phase output pin U, V, W-phase IGBT emitter pin |  |

Absolute Maximum Ratings (Ta = 25°C)

| Characteristics | Symbol | Rating | Unit |
|-----------------------------|---------------------|---|------|
| Power supply voltage | V _{BB} | 600 | V |
| | V _{CC} | 18 | |
| Input voltage | V _{in} (1) | -0.3 to V _{CC} (Note 1) | V |
| | V _{in} (2) | -0.3 to V _{refout} +0.3 (Note 2) | |
| Output current (DC) | I _{OUT} | 2 | A |
| Output current (pulse 1ms) | I _{OUTP} | 3 (Note 3) | A |
| VREG current | I _{reg} | 30 | mA |
| V _{refout} current | I _{refout} | 35 | mA |
| Power dissipation | P _D | 35 (Note 4) | W |
| Operating temperature | T _{opr} | -30 to 115 (Note 5) | °C |
| Storage temperature | T _{stg} | -55 to 150 | °C |

Note: Absolute maximum ratings

The maximum rating is the rating that should never be exceeded, even for a shortest of moments. If the maximum rating is exceeded, it could result in damage and/or deterioration of the IC as well as other devices beside the IC. Regardless of the operating conditions, please design so that the maximum rating is never exceeded. Please use within the specified operating range.

Note 1: V_{in} (1) pin: VSP and LA

Note 2: V_{in} (2) pin: HUP, HUM, HVP, HVM, HWP, HWM, SS, FGC, CW/CCW, and I_{dc}.

Note 3: Apply pulse

Note 4: Package thermal resistance ($\theta_{j-c} = 1^\circ\text{C}/\text{W}$) with an infinite heat sink at Ta = 25°C

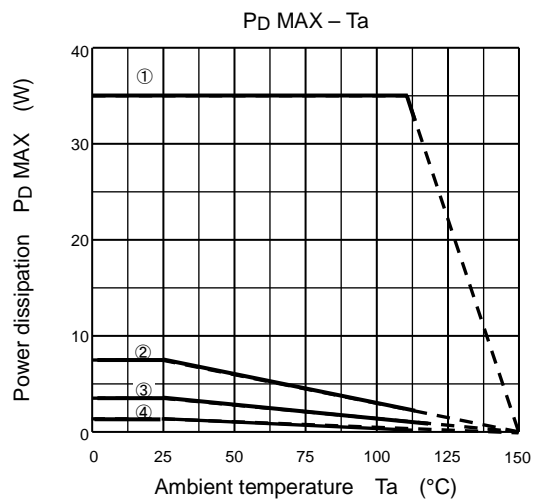
Note 5: The operating temperature range is determined according to the PD MAX - Ta characteristics.

Operating conditions (Ta = 25°C)

| Characteristics | Symbol | Min | Typ. | Max | Unit |
|-----------------------|------------------|------------|------|------------|------|
| Power supply voltage | V _{BB} | 50 | 280 | 450 | V |
| | V _{CC} | 13.5 | 15 | 16.5 | |
| Oscillation frequency | f _{osc} | 3.5 | 5 | 6.4 | MHz |
| Output current | I _{out} | — | — | 2 | A |
| Operating temperature | T _{opr} | -30 (Note) | — | 115 (Note) | °C |

Note: The operating temperature range is determined according to the PD MAX - Ta characteristics.

Power Dissipation



- ① INFINITE HEAT SINK
: R_{θj-c} = 1°C/W
- ② When mounted on the board (74.2 × 114.3 × 1.6 mm, Cu20%), HEAT SINK (10 × 10 × 1 mm, Cu)
: R_{θj-a} = 17°C/W
- ③ When mounted on the board (74.2 × 114.3 × 1.6 mm, Cu20%)
: R_{θj-a} = 35°C/W
- ④ IC only
: R_{θj-a} = 53°C/W

Electrical Characteristics (Ta = 25°C)

| Characteristics | | Symbol | Test Condition | Min | Typ. | Max | Unit | |
|----------------------------------|--|-----------------------|--|----------------------------------|--------|---------------------|------|-----|
| Current dissipation | | I _{BB} | V _{BB} = 450 V | — | — | 0.5 | mA | |
| | | I _{CC} | V _{CC} = 15 V | — | 5 | 10 | | |
| Current consumption of bootstrap | | I _{BS} (ON) | V _{BS} = 5 V, high-side ON | — | 90 | 150 | μA | |
| | | I _{BS} (OFF) | V _{BS} = 5 V, high-side OFF | — | 80 | 140 | | |
| Input current | | I _{IN(LA)} | V _{in} = 5 V, LA | — | 25 | 50 | μA | |
| | | I _{IN(VSP)} | V _{in} = 5 V, VSP | — | 35 | 70 | | |
| | | I _{IN(Idc)} | V _{in} = GND, I _{dc} | — | -25 | -50 | | |
| | | I _{IN(1)} | V _{in} = 5 V, CW/CCW, FGC, SS | — | 50 | 100 | | |
| Input voltage | V _{IN1} | H | CW/CCW, SS | V _{refout} - 1 | — | V _{refout} | V | |
| | | L | | 0 | — | 0.8 | | |
| | V _{IN2} | H | FGC | 4 | — | V _{refout} | V | |
| | | M | | 2 | — | 3 | | |
| | | L | | 0 | — | 1 | | |
| | V _{SP(H)} | T | Test mode for motor shipping SS = H | 8.2 | — | 10 | V | |
| | | H | PWM ON duty 95% SS = H | 5.1 | 5.4 | 5.7 | | |
| | | M | Refresh → Start motor operation, SS = H | 1.8 | 2.1 | 2.4 | | |
| | | L | Turned-off → Refresh SS = H | 0.7 | 1.0 | 1.3 | | |
| | V _{SP(L)} | T | Test mode for motor shipping SS = L | 8.2 | — | 10 | V | |
| | | H | PWM ON duty 92% SS = L | 5.1 | 5.4 | 5.7 | | |
| | | M | Refresh → Start motor operation, SS = L | 1.8 | 2.1 | 2.4 | | |
| | | L | Turned-off → Refresh SS = L | 0.7 | 1.0 | 1.3 | | |
| | PWM oscillation frequency (Carrier frequency) | | F _C (20) | OSC/R = 68 kΩ | 18 | 20 | 22 | kHz |
| | | | F _C (18) | OSC/R = 75 kΩ | 16.2 | 18 | 19.8 | |
| | Motor lock detection | | TONTR | TR = 0.01 μF Driving time (Note) | 3.33 | 5 | 8.33 | s |
| | | TOFFTR | TR = 0.01 μF Turn off time (Note) | 20 | 30 | 46.15 | s | |
| | | FTR | TR = 0.01 μF frequency | 65 | 100 | 150 | Hz | |
| Lead angle offset (LA) | | T _{LAH(0)} | LA = 0 V or open, Hall IN = 100 Hz SS = H | — | 0 | — | ° | |
| | | T _{LAH(2.5)} | LA = 2.5 V, Hall IN = 100 Hz SS = H | 11.25 | 15 | 18.75 | | |
| | | T _{LAH(5)} | LA = 5 V, Hall IN = 100 Hz SS = H | 26.25 | 28.125 | — | | |
| Lead angle offset | | T _{LAL(0)} | LA = 0 V or Open, Hall IN = 100 Hz SS = L | — | 0 | — | ° | |
| | | T _{LAL(2.5)} | LA = 2.5 V, Hall IN = 100 Hz SS = L | 26 | 30 | 33 | | |
| | | T _{LAL(5)} | LA = 5 V, Hall IN = 100 Hz SS = L | 52 | 57 | 60 | | |
| Hall device input | Input sensitivity | V _S | Difference input | 40 | — | — | mVpp | |
| | In-phase range | V _W | — | 0.5 | — | 4.0 | V | |
| | Input hysteresis | V _H (1) | (Note) | ±1.5 | ±7.5 | ±13.5 | mV | |

| | | | | | | | |
|-----------------------------------|----------|---------------------------------------|---|----------------|------|---------|----|
| Hall IC input | VIN4 | H | HUP, HVP, HWP: HUM, HVM, HWM = Vrefout/2 | Vrefout - 1 | — | Vrefout | V |
| | | L | | 0 | — | 0.8 | |
| Current detection | Vdc | Idc | | 0.475 | 0.5 | 0.525 | V |
| Output voltage | VFG (H) | IOUT = 2 mA | FG | 4 | — | — | V |
| | VFG (L) | IOUT = -2 mA | FG | — | — | 1 | |
| | Vrefout1 | IOUT = 15 mA | Vrefout | 4.7 | 5.0 | 5.3 | |
| | Vrefout2 | IOUT = 35 mA | Vrefout | 4.5 | 5.0 | 5.3 | |
| | VREG | IOUT = 30 mA | VREG | 4.5 | 5.0 | 5.5 | |
| Output saturated voltage | VCEsatH | VCC = 15 V, IC = 1 A, High side | | — | 2.3 | 3.2 | V |
| | VCEsatL | VCC = 15 V, IC = 1 A, Low side | | — | 2.3 | 3.2 | |
| Forward voltage of FRD | VFH | IF = 1 A, High side | | — | 2.1 | 3.1 | V |
| | VFL | IF = 1 A, Low side | | — | 2.1 | 3.1 | |
| Over heat protection | TSD | (Note) | | 135 | — | 185 | °C |
| | TSDhys | | | — | 50 | — | |
| VCC Undervoltage lockout (Driver) | VCC (H) | Undervoltage positive-going threshold | | 10.5 | 11.5 | 12.5 | V |
| | VCC (L) | Undervoltage negative-going threshold | | 10 | 11 | 12 | |
| VBS Undervoltage lockout (Driver) | VBS (H) | Undervoltage positive-going threshold | | 2.5 | 3.5 | 4.5 | V |
| | VBS (L) | Undervoltage negative-going threshold | | 2 | 3 | 4 | |
| Output delay time | ton | VBB = 280 V, VCC = 15 V, IC = 1 A | | — | 2 | 3.5 | μs |
| | toff | VBB = 280 V, VCC = 15 V, IC = 1 A | | — | 2 | 3.5 | |
| Input delay time | TDC | Idc (fosc = 5 MHz) | | — | 4.4 | — | μs |
| FRD reverse recovery time | trr | VBB = 280 V, VCC = 15 V, IC = 1 A | | — | 150 | — | ns |

Note: No shipping inspection.

Functional Description

1. Basic Operation

The motor is driven by 120° commutation at startup. When the hall signal detects the motor rotating at the frequency of 1 Hz or higher, the rotor position is estimated and the motor is driven with the lead angle based on the input voltage of the LA pin.

From start to 1 Hz: Driven by square wave (120° commutation)

1 Hz or higher: Driven by sine-wave PWM (180° commutation) or wide-angle commutation (150° commutation)

When fosc = 5 MHz, approx. 1 Hz.

*: When f is 1 Hz or higher, the motor is driven by the command of the LA pin.

When f is 1 Hz or less the motor is driven with reverse rotation direction (according to the timing chart), it is driven by 120° commutation (lead angle is 0°).

Driven system (sine-wave PWM or wide-angle commutation) can be switched by the SS pin. Setting of lead angle is different between these driving systems.

| SS | Driving system | Lead angle |
|----|---|---------------------|
| L | Sine-wave PWM drive (180° commutation) | 0 to 58° / 32 steps |
| H | Wide-angle commutation (150° commutation) | 0 to 28° / 16 steps |

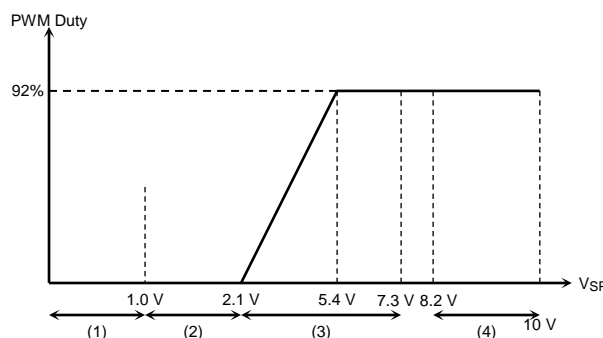
2. Voltage Command (VSP) Signal and Bootstrap Voltage Regulation

SS=L

- (1) Voltage command input: When $VSP \leq 1.0\text{ V}$:
The commutation signal outputs are disabled (i.e., gate protection is activated).
- (2) Voltage command input: When $1.0\text{ V} < VSP \leq 2.1\text{ V}$:
The low-side transistors are turned on at a regular (PWM carrier) frequency. (ON duty: 18/fosc)
- (3) Voltage command input: When $2.1\text{ V} < VSP \leq 7.3\text{ V}$:
During sine-wave PWM drive, the commutation signals directly appear externally. During square-wave drive, the low-side transistors are forced on at a regular (PWM carrier) frequency. (ON duty: 18/fosc)
In stop state (Forward: 1Hz or less, Reverse: 5 Hz or less), commutation signals are outputted after VSP ($VSP > 2.1\text{ V}$) is inputted and the refresh function operates for 1.5ms (typ.). In operation state (Forward: more than 1 Hz, Reverse: more than 5 Hz), commutation signals are outputted after VSP ($VSP > 2.1\text{ V}$) is inputted.

Note: In startup, low-side transistor should be turned on ($1.0\text{ V} < VSP \leq 2.1\text{ V}$) for a certain period to charge gate power supply of high-side transistors.

- (4) Voltage command input: When $8.2\text{ V} \leq VSP \leq 10\text{ V}$ (test mode for motor shipping):
The TB67B000AHG drives in sine-wave drive mode with lead angle of zero. However, it drives in square-wave mode in detecting reverse rotation.
When VSP reaches 7.9 V (typ.), lead angle switches to zero.
The PWM duty cycle is calculated as PWM carrier period \times 92% (typ.) and kept the constant value at the following condition; $5.4\text{ V}(\text{typ.}) \leq VSP$.

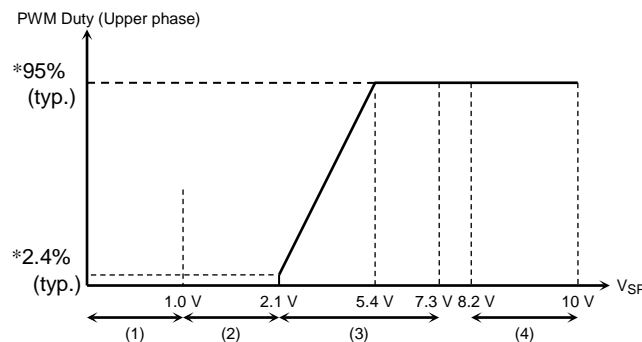


SS=H

- (1) Voltage command input: When $V_{SP} \leq 1.0$ V:
The commutation signal outputs are disabled (i.e., gate protection is activated).
- (2) Voltage command input: When 1.0 V $< V_{SP} \leq 2.1$ V:
The low-side transistors are turned on at a regular frequency (PWM carrier frequency). (ON duty: $18/f_{osc}$)
- (3) Voltage command input: When 2.1 V $< V_{SP} \leq 7.3$ V:
During wide-angle commutation, the commutation signals directly appear externally. During square-wave drive, the low-side transistors are forced on at a regular (PWM carrier) frequency. (ON duty: $18/f_{osc}$)
In stop state (Forward: 1 Hz or less, Reverse: 5 Hz or less), commutation signals are outputted after V_{SP} ($V_{SP} > 2.1$ V) is inputted and the refresh function operates for 1.5 ms (typ.). In operation state (Forward: more than 1 Hz, Reverse: more than 5 Hz), commutation signals are outputted after V_{SP} ($V_{SP} > 2.1$ V) is inputted.

Note: In startup, low-side transistor should be turned on (1.0 V $< V_{SP} \leq 2.1$ V) for a certain period to charge gate power supply of high-side transistors.

- (4) Voltage command input: When 8.2 V $\leq V_{SP} \leq 10$ V (test mode for motor shipping):
The TB67B000AHG drives in wide-angle commutation mode with lead angle of zero. However, it drives in square-wave mode in detecting reverse rotation.
When V_{SP} reaches 7.9 V (typ.), lead angle switches to zero.
The PWM duty cycle is calculated as PWM carrier period \times 95% (typ.) and kept the constant value at the following condition: 5.4 V (typ.) $\leq V_{SP}$.



- *: Maximum ON duty: $T_{on} = 95\%$ (typ.) when $V_{SP} = 5.4$ V (typ.)
Maximum ON duty may be 100% due to the influence of the filter inside the IC.
Minimum ON duty: $T_{on} = 2.4\%$ (typ.) when $V_{SP} = 2.1$ V (typ.).

Ex.: When $f_{osc} = 5$ MHz, maximum ON time = 48 μ s (typ.) ($f_c = 19.8$ kHz)
minimum ON time = 1.2 μ s (typ.) ($f_c = 19.8$ kHz)

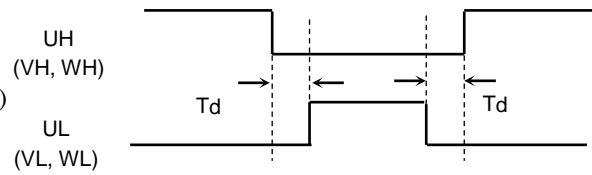
3. Dead Time Insertion (cross conduction protection)

To prevent a short-circuit between low-side and high-side power devices during sine-wave PWM drive, a dead time is digitally inserted between the turn-on of one side and the turn-off of the other side. (The dead time is also implemented at the full duty cycle during square-wave drive.)

$$T_d = 9/f_{osc}$$

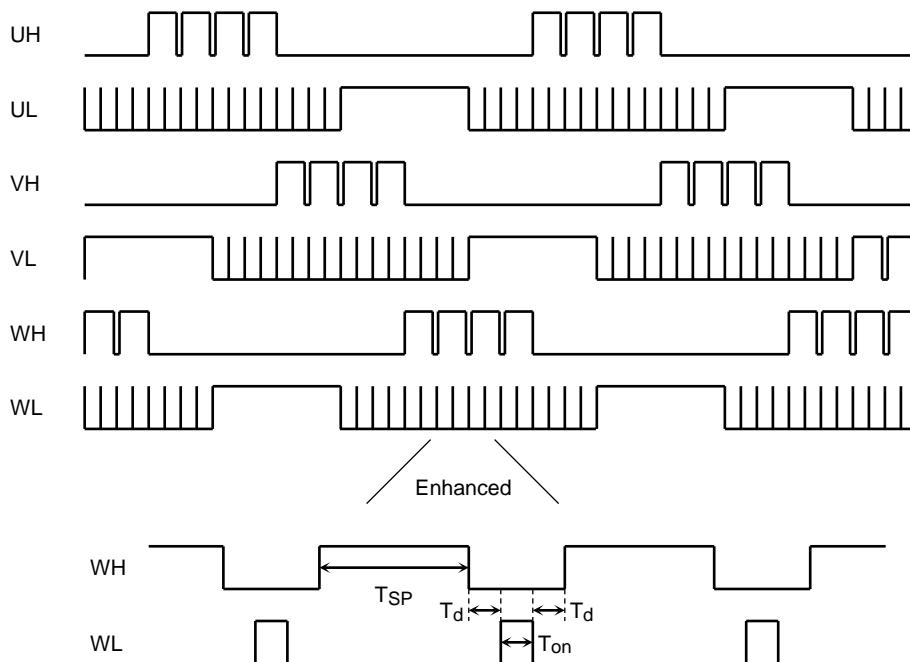
When $f_{osc} = 5 \text{ MHz}$, $T_d \approx 1.8 \mu\text{s}$ ($9/f_{osc}$)

f_{osc} = reference clock (CR oscillation frequency)



When input voltage (VSP) is more than 2.1 V and the hall signal frequency is 1 Hz or less, the upper phase (UH, VH, and WH) operates PWM drives (according to VSP) with 120° commutation. And the lower phase (UL, VL, and WL) operates with 120° commutation. It refreshes in off timing. (In case of reverse direction drive, the operation is the same as forward direction drive.)

Output waveform (Image)



TSP: Changeable by VSP. (The condition in this figure: VSP = 5.4 V (typ.)), $T_{on} = 18/f_{osc}$, $T_d = 9/f_{osc}$.

*: Lead angle offset (LA pin) is not activated when hall signal frequency is 1 Hz or less. The lead angle is also deactivated in detecting of reverse rotation.

4. Lead Angle Control

The lead angle can be adjusted between 0° and 58° according to the induced voltage level on the LA input.

SS=L

LA analog input (0 to 5 V in 32 separate steps.)

0 V = 0°

5 V = 58° (A lead angle of 58° is assumed when the LA voltage exceeds 5 V.)

SS=H

LA analog input (0 to 5 V in 16 separate steps.)

0 V = 0°

5 V = 28° (A lead angle of 28° is assumed when the LA voltage exceeds 5 V.)

5. PWM Carrier Frequency

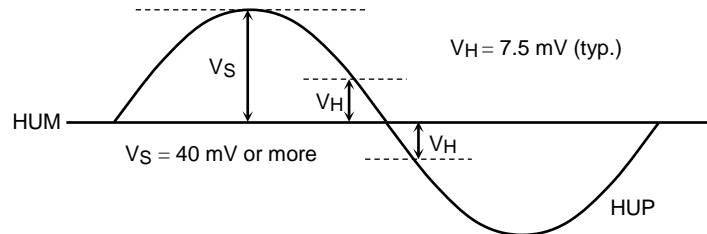
The triangular waveform generator provides a carrier frequency of $f_{osc}/252$ necessary for PWM generation. (The triangular wave is also used to force the switch-on of low-side commutation signal outputs during square-wave drive.)

Carrier frequency: $FC = f_{osc}/252$ (Hz), where f_{osc} = reference clock (CR oscillator) frequency

6. Position Detecting Pin

<Hall device input>

V_W is 0.5 to 4.0 V in in-phase range. Input hysteresis voltage (V_H) is 7.5 mV (typ.).



<Hall IC input>

Usage conditions: HUP, HVP, and HWP = GND to V_{refout}

HUM, HVM, and HWM = $V_{refout} / 2$

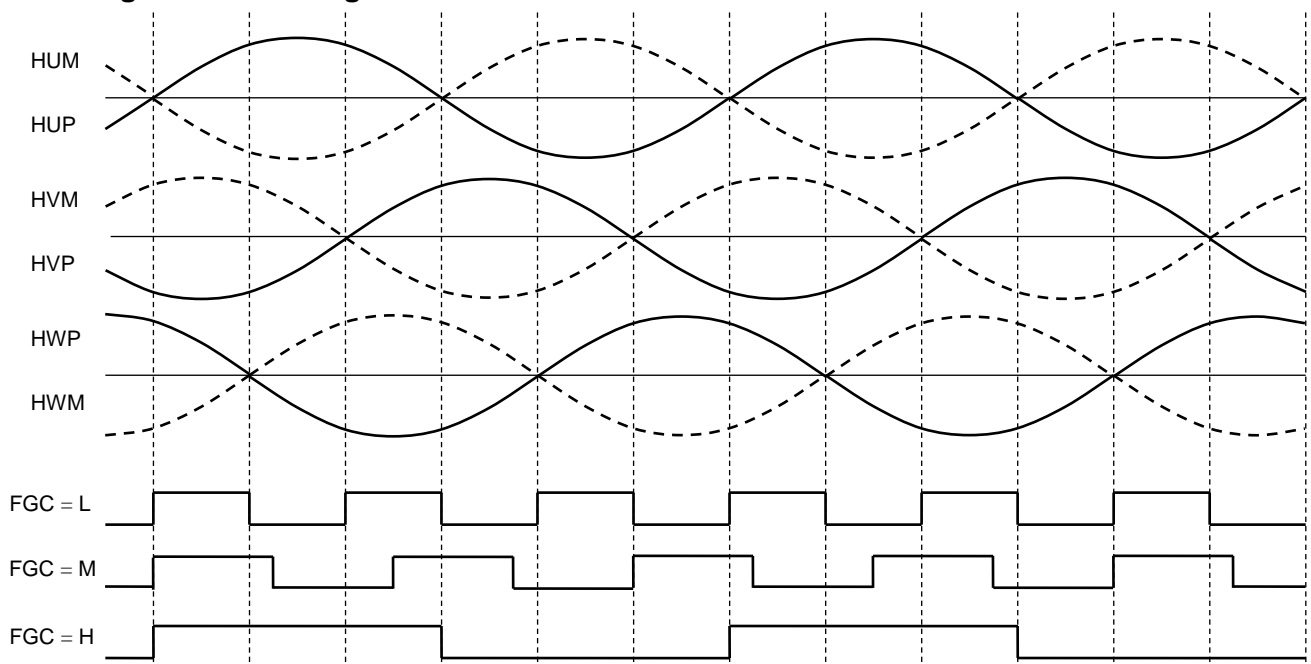
7. Rotating Pulse Output

The TB67B000AHG outputs rotating pulse based on the hall signal. FGC pin can switch one pulse per electrical angle, 3 pulses per electrical angle, or 2.4 pulses per electrical angle. One pulse per electrical angle is generated from the hall signal of U phase. 3 pulses per electrical angle are generated by combining each rising and falling edge of U, V, and W phases.

When the pulse is outputted at 2.4 pulses per electrical angle (FGC=M), FG pin outputs L level under the condition that the direction of motor rotating is forward or reverse at 1 Hz or less. It is outputted regardless of the input voltage of VSP.

| FGC | FG |
|-----|---|
| H | 1 pulse per electrical angle |
| M | 2.4 pulses per electrical angle (2 pulses per 5/6 electrical angle) |
| L | 3 pulses per electrical angle |

Timing Chart of FG Signal



8. Protection-related Functions

(1) Overcurrent protection(I_{dc} pin)

If the DC-link current exceeds the corresponding internal reference voltage, the gate block is activated and the commutation signals (U, V, and W) are forced off. Overcurrent protection is disabled after every carrier period.

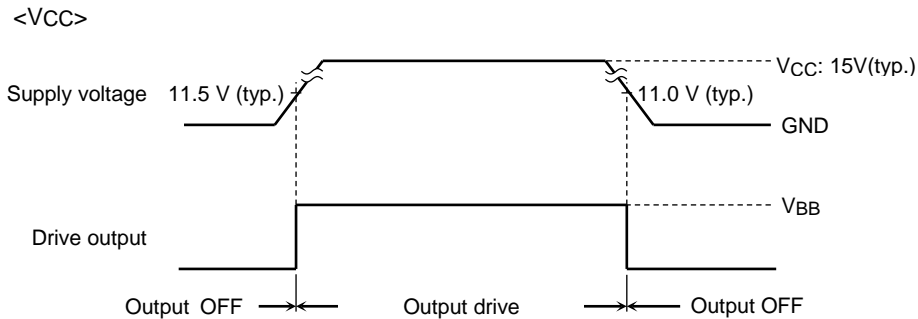
Reference voltage = 0.5 V (typ.)

(2) Abnormal hall signal protection

When the hall signals (internal hall amplifier outputs) are all Highs or all Lows, or hall input signals (HUP, HUM, HVP, HVM, HWP, and HWM) are all open, the commutation outputs (U, V, and W) are forced off. When these inputs are then set to any other combination, the commutation outputs are re-enabled.

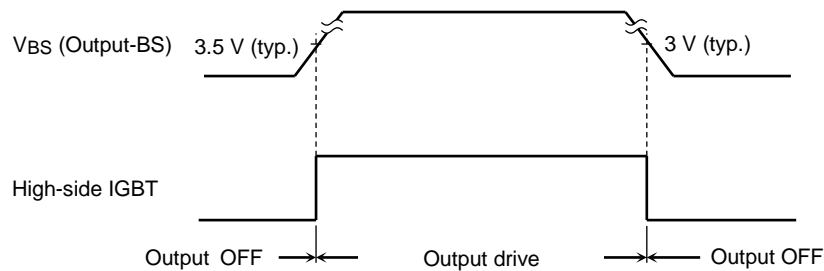
(3) Undervoltage lockout (VCC)

While the power supply voltage is outside the rated range during power-on or power-off, the commutation outputs (U, V, and W) are forced off to stop the motor operation. The motor operation in power recovery is not guaranteed because the state of the circuit becomes unstable by power on sequence.



(4) Monitor for V_{BS} bootstrap power supply

When V_{BS} power supply falls, high-side of IGBT output is turned off.



(5) Thermal shutdown circuit

When the IC temperature rises high abnormally because of internal or external heat generation, all outputs of IGBT are tuned off.

$T_{SD} = 135^{\circ}\text{C}$ (min), 185°C (max) $T_{SDhys} = 50^{\circ}\text{C}$ (typ.)

Recovery temperature after TSD is activated: $T_{SD} - T_{SDhys}$

9. Motor-lock detection

When hall signal detects below state, intermitted operation (drive period: stop period = 1: 6) is repeated.

<Description of motor-lock detection>

When V_{SP} exceeds 2.1 V, the detection period starts. In this time, the counter for the motor lock detection starts counting. When direction of the motor rotation corresponds to the pin configuration (forward direction: sine-wave PWM mode or wide-angle commutation mode), lock detection is activated with 120° commutation (square-wave drive) under the condition that frequency of the hall signal is about 1 Hz or less (when $f_{osc} = 5$ MHz).

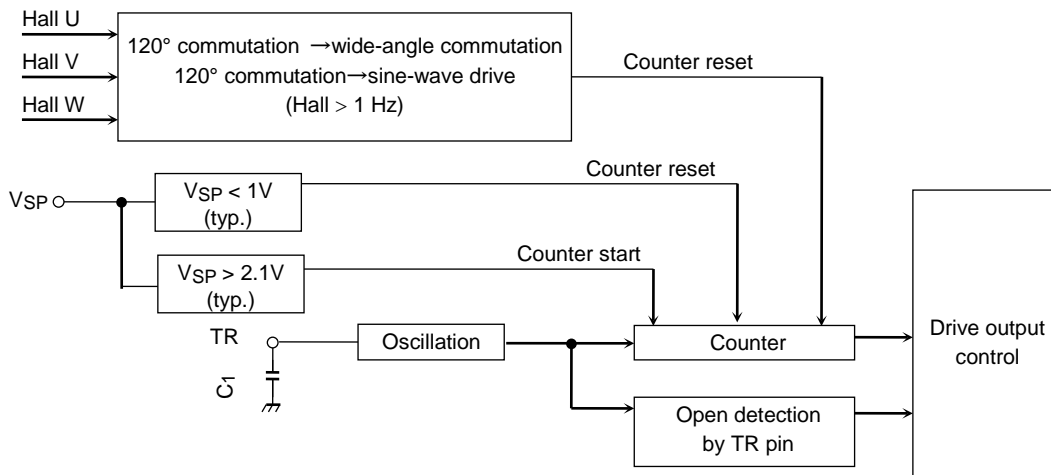
When direction of motor rotation is opposed against pin setting direction (reverse direction: reverse hall input in 120° commutation mode), lock detection is activated under the condition that frequency of the hall signal is about 5 Hz or less (when $f_{osc} = 5$ MHz).

When lock detection enables, operation is turned off (output drive is OFF) during stop period.

When V_{SP} is set 1.0 V or less, counter is reset and the stop mode is released. Then, when V_{SP} is set 2.1 V or more again, counter starts counting from the initial state.

Table of lock detection

| CW/CCW pin | V_{SP} pin > 2.1V | | V_{SP} pin ≤ 2.1V |
|------------|---|---|---------------------|
| | Direction of motor rotation | | |
| | CW | CCW | |
| H(CW) | Hall ≤ 1 Hz (Rotating direction: set of CW/CCW pin = motor) | Hall ≤ 5 Hz (Rotating direction: set of CW/CCW pin ≠ motor) | Inactive |
| L(CCW) | Hall ≤ 5 Hz (Rotating direction: set of CW/CCW pin ≠ motor) | Hall ≤ 1 Hz (Rotating direction: set of CW/CCW pin = motor) | Inactive |



<Setting method>

Detection period and output-off period can be determined by an external capacitor (C_1) of TR pin.

• Setting period

$$\text{Drive period } T_{on}[s] = C_1 \times (V_H - V_L) \times 2 / I \times 500 \text{ counts}$$

$$\text{Stop period } T_{off}[s] = C_1 \times (V_H - V_L) \times 2 / I \times 3000 \text{ counts (Note 1)}$$

- Ex.: When $C_1 = 0.01\mu\text{F}$, $I = 3\mu\text{A}$ (typ.), $V_H = 2$ V (typ.) and $V_L = 0.5$ V (typ.), and then $T_{on}[s] = 5$ s (typ.) and $T_{off}[s] = 30$ s (typ.).

Note 1: Bootstrap capacitor does not charge (refresh) during stop period.

To charge bootstrap capacitor in recovery, V_{SP} should be set by voltage command input as follows:

$$1.0 \text{ V} < V_{SP} \leq 2.1 \text{ V.}$$

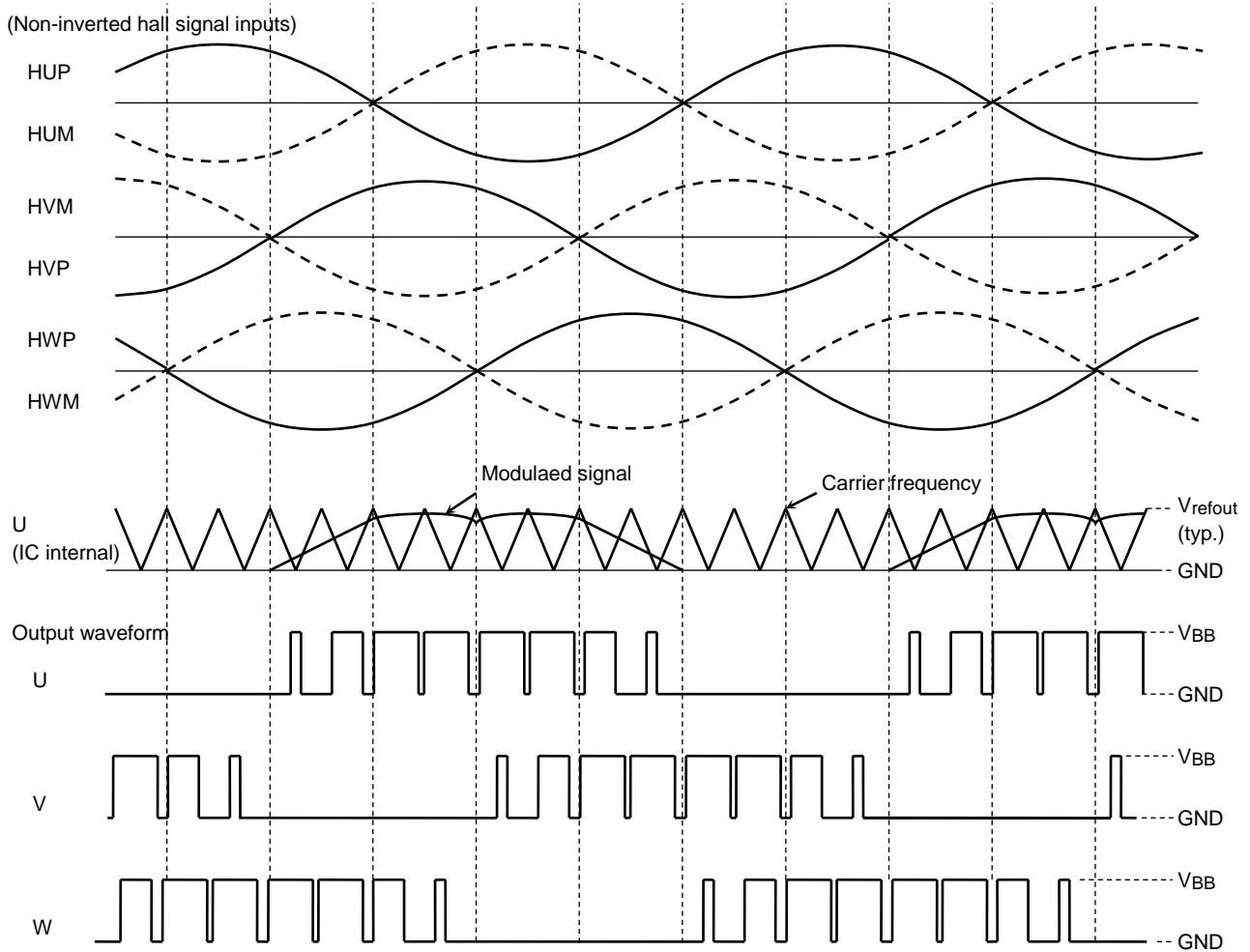
Note 2: When TR pin is open, the operation moves to stop mode (drive output OFF) by open detection.

Note 3: Counter is not activated by applying fixed voltage (GND) to the TR pin. Then, the drive mode can be continued because the motor lock detection is turned off.

Timing Chart

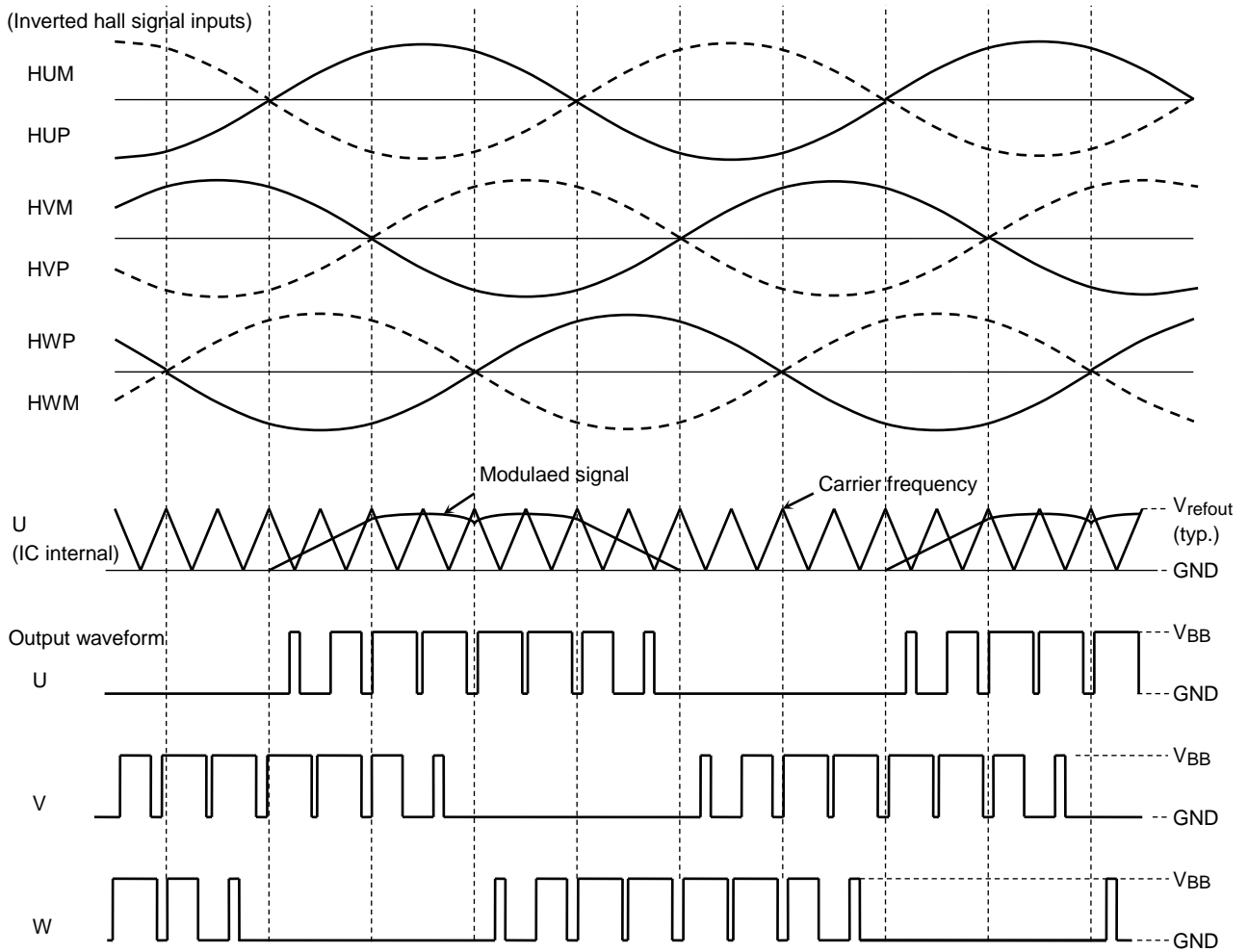
| CW/CCW | SS | Hall input (frequency) | Drive method | No. | |
|--------|----|------------------------|---|--|---|
| H | H | CW (1 Hz or less) | Square-wave drive (120° commutation) | 5 | |
| | | CW (1 Hz or higher) | Wide-angle commutation (150° commutation) | 3 | |
| | | CCW | Square-wave drive (120° commutation) | 6 | |
| | L | L | CW (1 Hz or less) | Square-wave drive (120° commutation) | 5 |
| | | | CW (1 Hz or higher) | Sine-wave PWM drive (180° commutation) | 1 |
| | | | CCW | Square-wave drive (120° commutation) | 6 |
| L | H | CW | Square-wave drive (120° commutation) | 8 | |
| | | CCW (1 Hz or less) | Square-wave drive (120° commutation) | 7 | |
| | | CCW (1 Hz or higher) | Wide-angle commutation (150° commutation) | 4 | |
| | L | L | CW | Square-wave drive (120° commutation) | 8 |
| | | | CCW (1 Hz or less) | Square-wave drive (120° commutation) | 7 |
| | | | CCW (1 Hz or higher) | Sine-wave PWM drive (180° commutation) | 2 |

Timing Chart 1: Output waveform of sine-wave PWM drive
(CW/CCW = H, SS = L, LA = GND, Non-Inverted hall signal inputs)



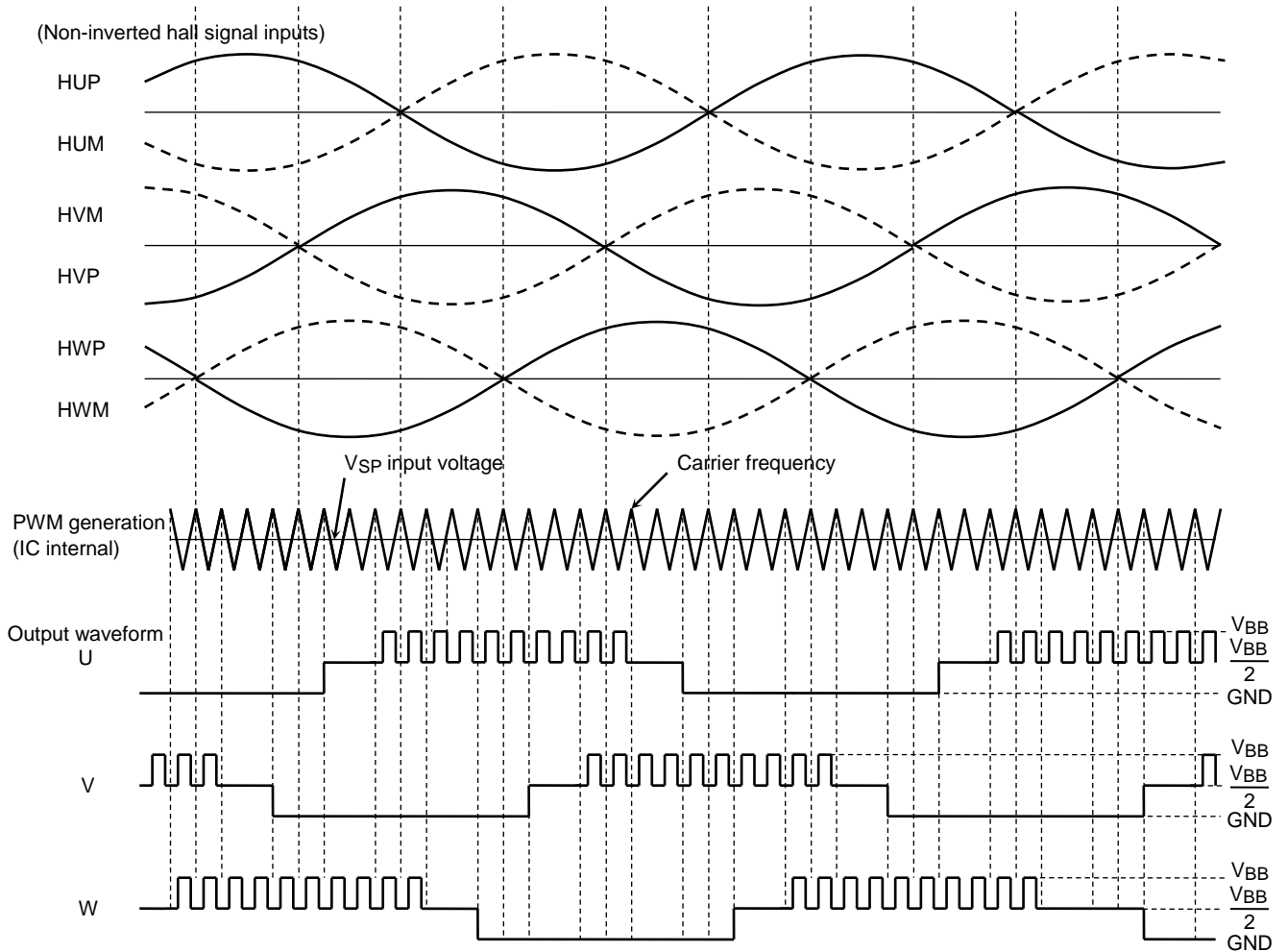
Note: The above timing chart is simplified to illustrate the function and behavior of the device.

**Timing Chart 2: Output waveform of sine-wave PWM drive
(CW/CCW = L, SS = L, LA = GND, Inverted hall signal inputs)**



Note: The above timing chart is simplified to illustrate the function and behavior of the device.

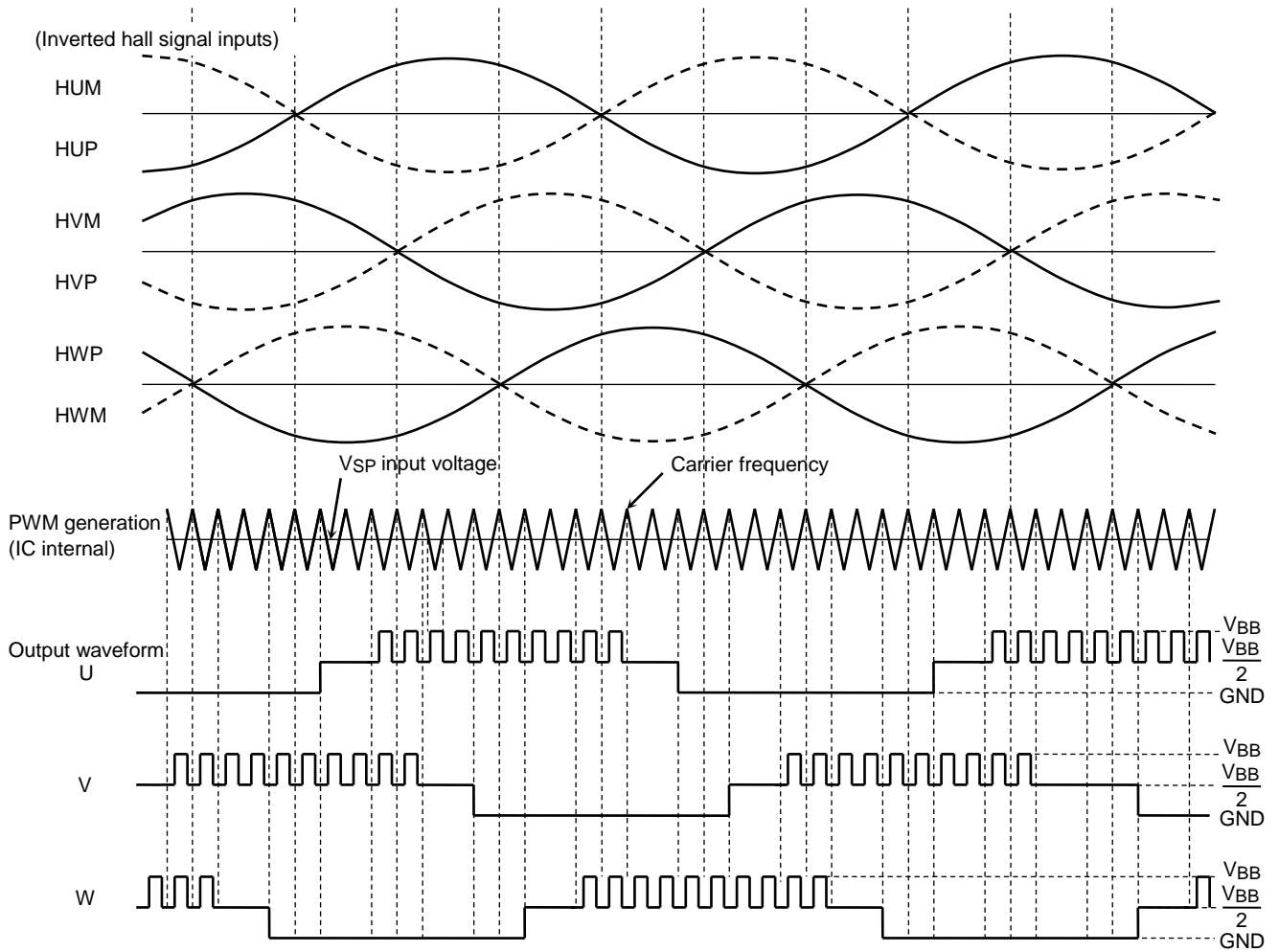
Timing Chart 3: Output waveform of wide-angle commutation
(CW/CCW = H, SS = H, LA = GND, Non-Inverted hall signal inputs)



Note: The above timing chart is simplified to illustrate the function and behavior of the device.

$\frac{V_{BB}}{2}$ indicates the high-impedance state.

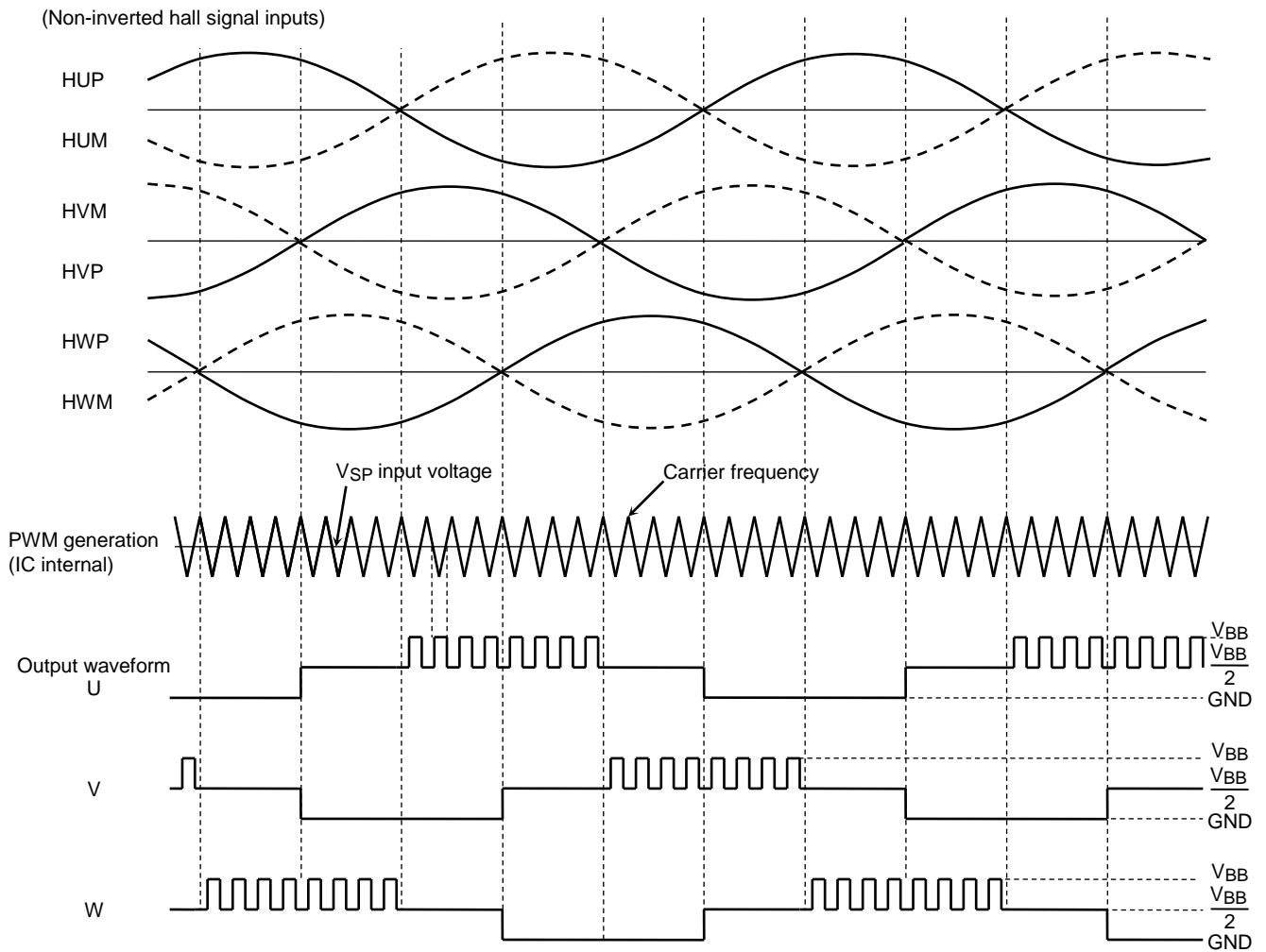
Timing Chart 4: Output waveform of wide-angle commutation
 (CW/CCW = L, SS=H, LA = GND, Inverted hall signal inputs)



Note: The above timing chart is simplified to illustrate the function and behavior of the device.

$\frac{V_{BB}}{2}$ indicates the high-impedance state.

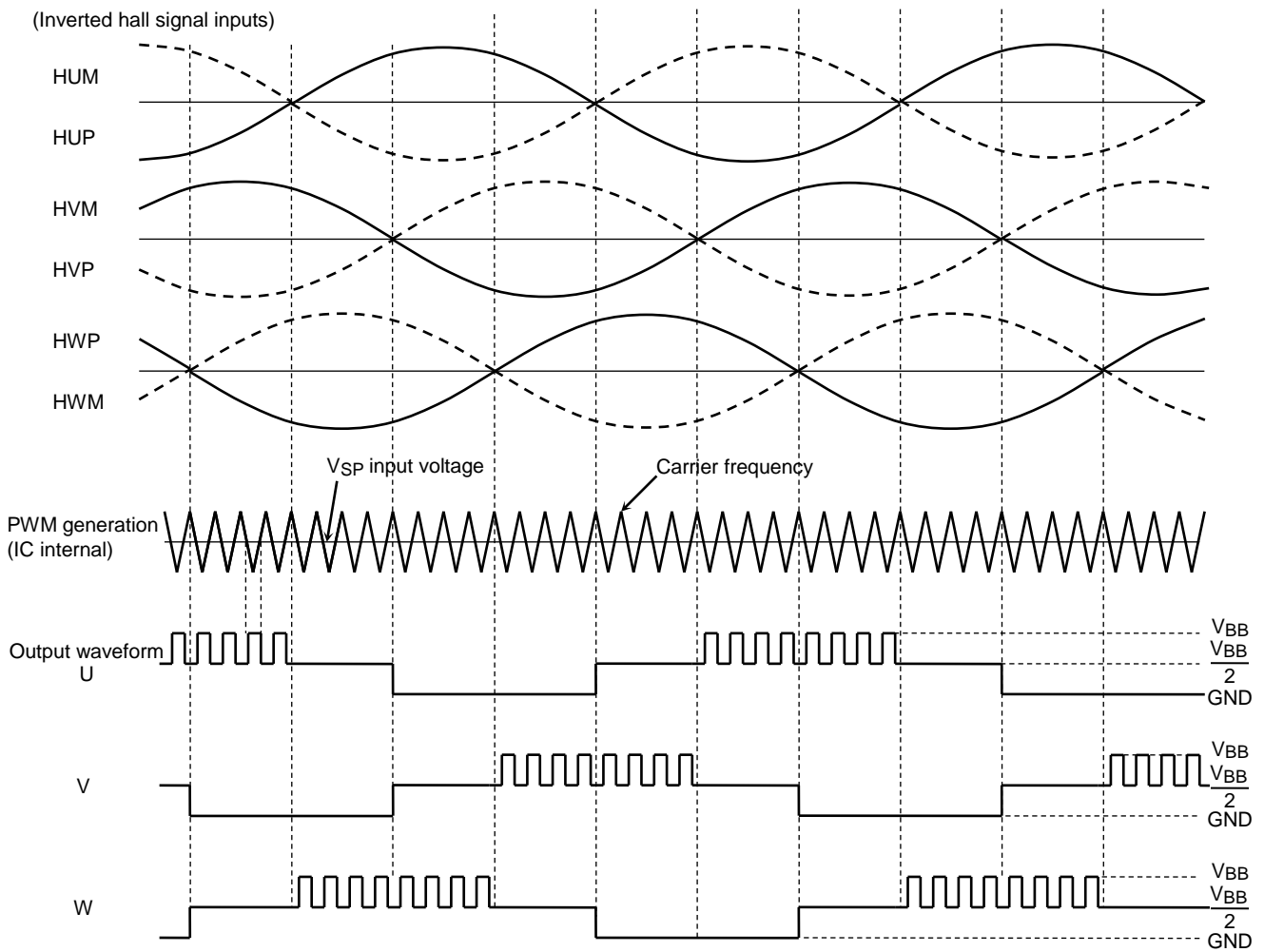
**Timing Chart 5: Output waveform of square-wave drive
(CW/CCW = H, LA = GND, Non-Inverted hall signal inputs)**



Note: The above timing chart is simplified to illustrate the function and behavior of the device.

$\frac{V_{BB}}{2}$ indicates the high-impedance state.

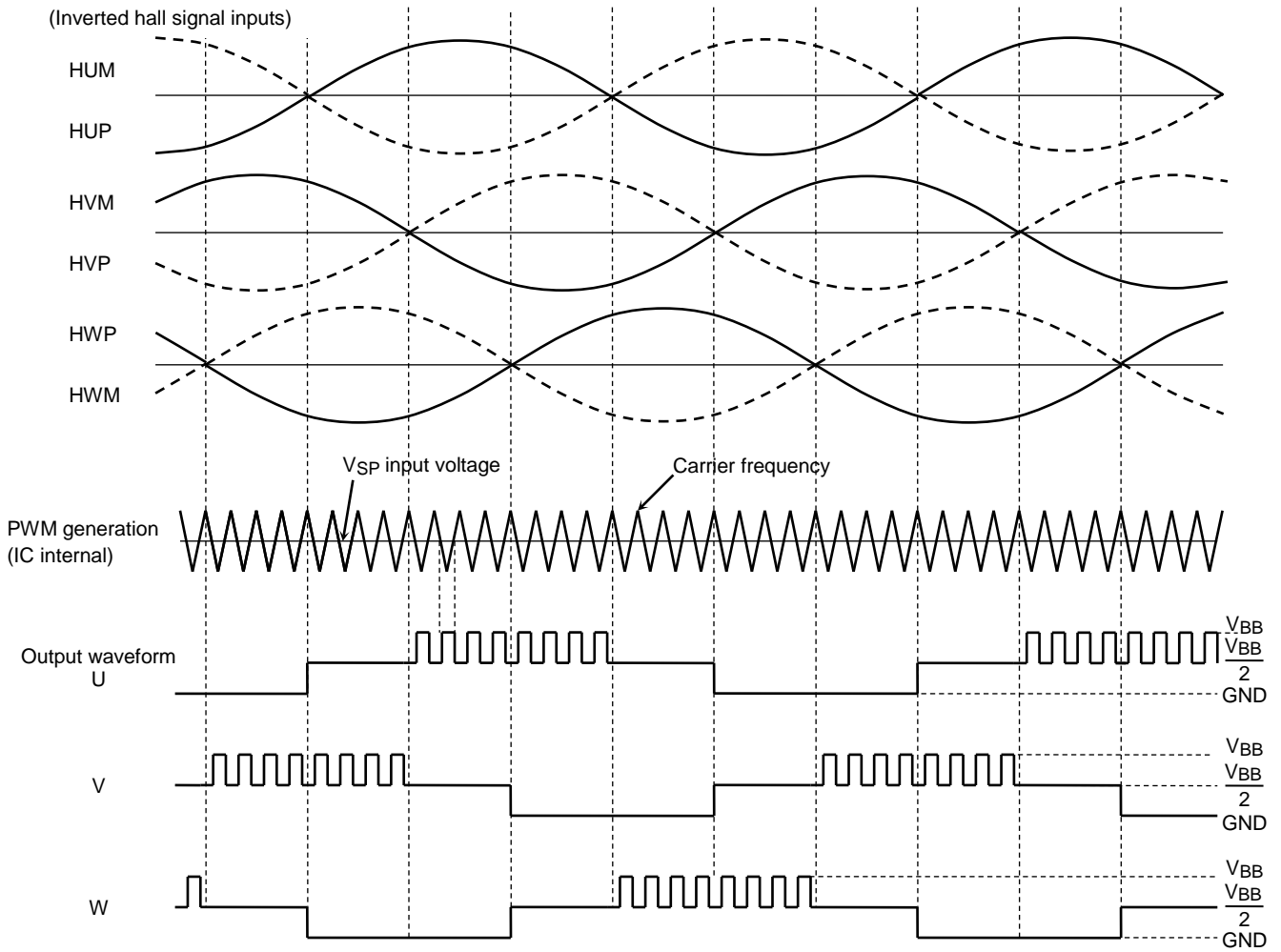
**Timing Chart 6: Output waveform of square-wave drive
(CW/CCW = H, LA = GND, Inverted hall signal inputs)**



Note: The above timing chart is simplified to illustrate the function and behavior of the device.

$\frac{V_{BB}}{2}$ indicates the high-impedance state.

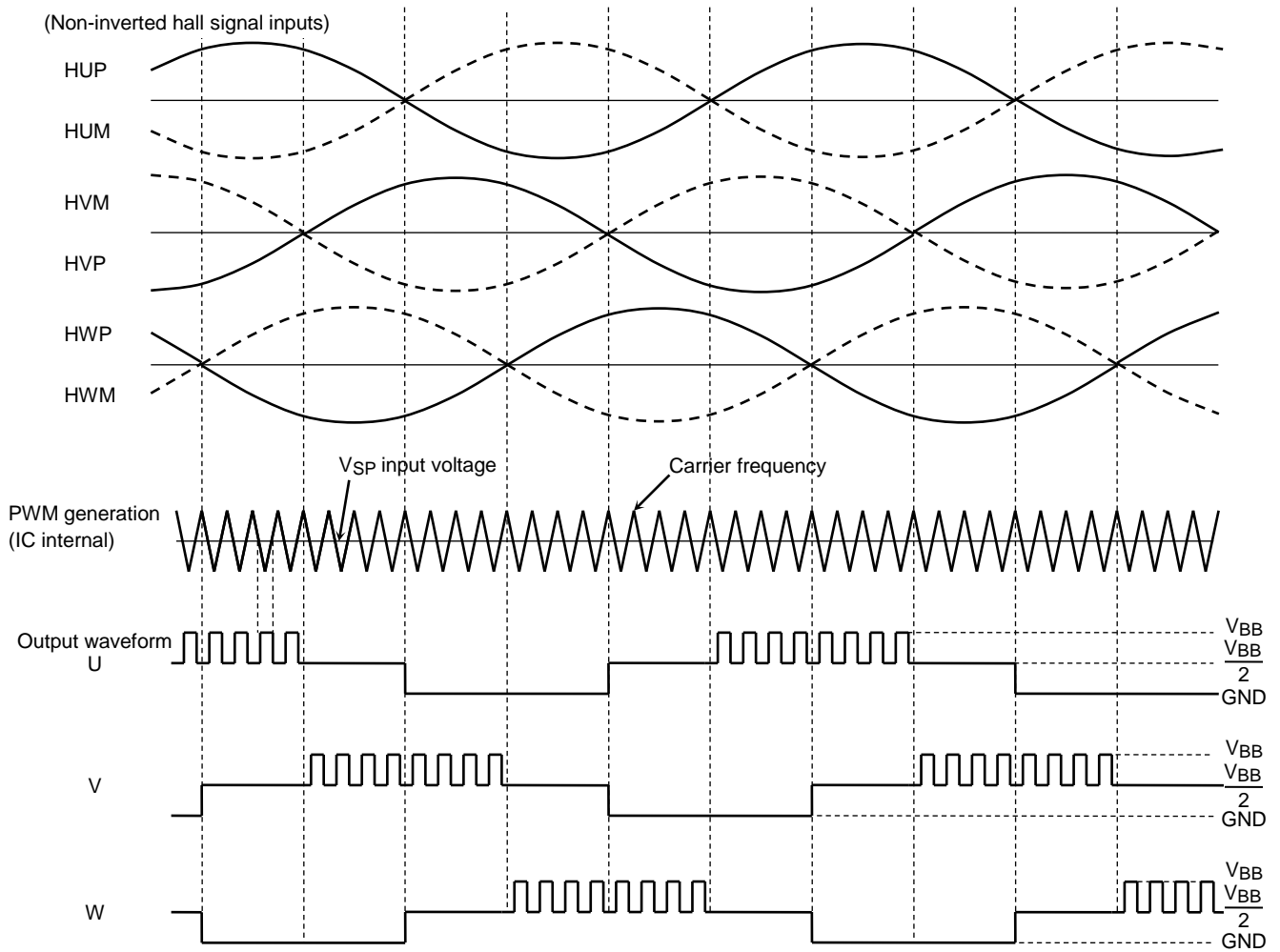
**Timing Chart 7: Output waveform of square-wave drive
(CW/CCW = L, LA = GND, Inverted hall signal inputs)**



Note: The above timing chart is simplified to illustrate the function and behavior of the device.

$\frac{V_{BB}}{2}$ indicates the high-impedance state.

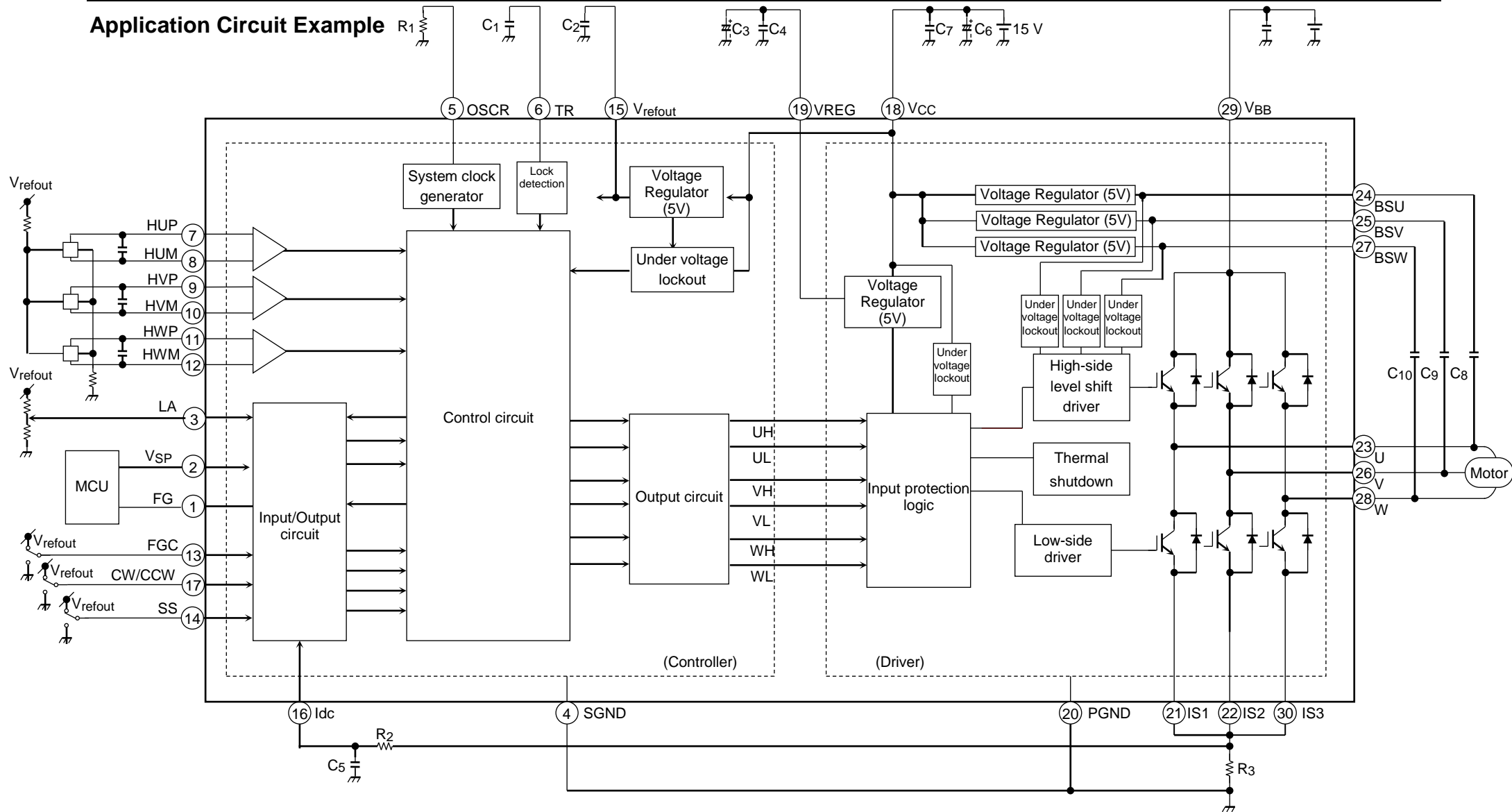
**Timing Chart 8: Output waveform of square-wave drive
(CW/CCW = L, LA = GND, Non-Inverted hall signal inputs)**



Note: The above timing chart is simplified to illustrate the function and behavior of the device.

$\frac{V_{BB}}{2}$ indicates the high-impedance state.

Application Circuit Example



Utmost care is necessary in the design of board layout since the IC may be destroyed and cause smoke or ignition by short-circuiting between outputs, air contamination faults, or faults due to improper grounding, or by short-circuiting between contiguous pins. Specially, in the design of the output, VBB, U, V, W, IS1, IS2, IS3, BSU, BSV, BSW, and GND lines which have high voltage and high current, utmost care is necessary. Add overcurrent protection such as a fuse not to allow large current continuing to flow in case of over current generation or IC breakdown.

External Parts

| Symbol | Purpose | Recommended value | Note |
|-------------|--|-------------------------|----------|
| R1 | Internal clock generation | 68 kΩ | (Note 1) |
| C1 | Motor lock detection | 10 V / 0.01 μF | (Note 2) |
| C2 | V _{refout} oscillation protection | 10 V / 0.1 μF to 1.0 μF | (Note 3) |
| C3 | VREG power supply stability | 25 V / 1 μF | (Note 3) |
| C4 | | 25 V / 1000 pF | |
| C5 | Noise absorber | 10 V / 1000 pF | (Note 4) |
| R2 | | 5.1 kΩ | |
| R3 | Overcurrent detection | 0.62 Ω ± 1% (1 W) | (Note 5) |
| C6 | V _{CC} power supply stability | 25 V / 10 μF | (Note 3) |
| C7 | | 25 V / 0.1 μF | |
| C8, C9, C10 | Bootstrap capacitor | 25 V / 2.2 μF | (Note 6) |

Note 1: For carrier frequency and dead time, determine the resistor to set the oscillation frequency of 6.4 MHz or less.

Note 2: This component sets the output stop period and output drive period of motor lock detection. When this function is not used, connect it to GND. As for detailed descriptions, please refer to the section of "Motor Lock Detection" in this document.

Note 3: This component is used as a capacitor for power supply stability. Adjust it to the application environment as required. In mounting, place it as close as possible to the base of the leads of this product to improve the noise elimination.

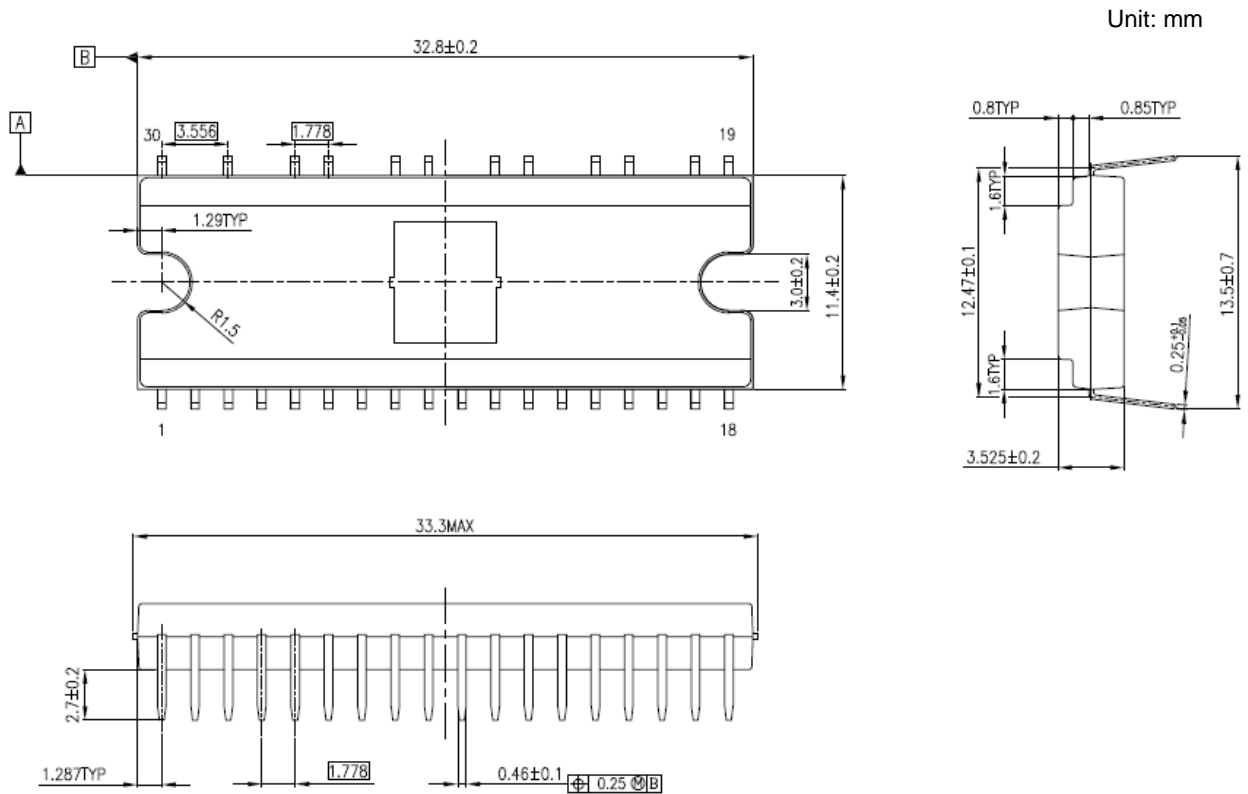
Note 4: These components are used as a low-pass filter for noise absorption. Test to confirm noise filtering, then determine its constant number.

Note 5: This component is used to set the value for overcurrent detection. $I_{out(max)} = V_{dc} / R3$ ($V_{dc} = 0.5 V$ (typ.))

Note 6: The required bootstrap capacitance value varies depending on the motor drive conditions. The voltage stress for the capacitor equals to the value of V_{CC}.

Package Dimensions

P-HDIP30-1233-1.78-001



Weight: 2.59 g (typ.)

Note: Die pad on surface and PGND is connected. When using the heat sink, handle it not to short to the IC pins. When applying the different potential with GND level to the heat sink, insulate with die pad and the heat sink.

Notes on Contents

1. Block Diagrams

Some of the functional blocks, circuits, or constants in the block diagram may be omitted or simplified for explanatory purposes.

2. Equivalent Circuits

The equivalent circuit diagrams may be simplified or some parts of them may be omitted for explanatory purposes.

3. Timing Charts

Timing charts may be simplified for explanatory purposes.

4. Application Circuits

The application circuits shown in this document are provided for reference purposes only. Thorough evaluation is required, especially at the mass production design stage.

Providing these application circuit examples does not grant a license for industrial property rights.

5. Test Circuits

Components in the test circuits are used only to obtain and confirm the device characteristics. These components and circuits are not guaranteed to prevent malfunction or failure from occurring in the application equipment.

IC Usage Considerations

Notes on handling of ICs

- [1] The absolute maximum ratings of a semiconductor device are a set of ratings that must not be exceeded, even for a moment. Do not exceed any of these ratings.
Exceeding the rating(s) may cause the device breakdown, damage or deterioration, and may result injury by explosion or combustion.
- [2] Use an appropriate power supply fuse to ensure that a large current does not continuously flow in case of over current and/or IC failure. The IC will fully break down when used under conditions that exceed its absolute maximum ratings, when the wiring is routed improperly or when an abnormal pulse noise occurs from the wiring or load, causing a large current to continuously flow and the breakdown can lead smoke or ignition. To minimize the effects of the flow of a large current in case of breakdown, appropriate settings, such as fuse capacity, fusing time and insertion circuit location, are required.
- [3] If your design includes an inductive load such as a motor coil, incorporate a protection circuit into the design to prevent device malfunction or breakdown caused by the current resulting from the inrush current at power ON or the negative current resulting from the back electromotive force at power OFF. IC breakdown may cause injury, smoke or ignition.
Use a stable power supply with ICs with built-in protection functions. If the power supply is unstable, the protection function may not operate, causing IC breakdown. IC breakdown may cause injury, smoke or ignition.
- [4] Do not insert devices in the wrong orientation or incorrectly.
Make sure that the positive and negative pins of power supplies are connected properly.
Otherwise, the current or power consumption may exceed the absolute maximum rating, and exceeding the rating(s) may cause the device breakdown, damage or deterioration, and may result injury by explosion or combustion.
In addition, do not use any device that is applied the current with inserting in the wrong orientation or incorrectly even just one time. Utmost care is necessary in the design of board layout since the IC may be destroyed and cause smoke or ignition by short-circuiting between outputs, air contamination faults, or faults due to improper grounding, or by short-circuiting between contiguous pins. Specially, in the design of the output, V_{BB}, U, V, W, IS1, IS2, IS3, BSU, BSV, BSW, and GND lines which have high voltage and high current, utmost care is necessary.
- [5] Die pad on surface and PGND is connected.
When using the heat sink, handle it not to short to the IC pins. When applying the different potential with GND level to the heat sink, insulate with die pad and the heat sink.

Points to remember on handling of ICs

(1) Over current Protection Circuit

Over current protection circuits (referred to as current limiter circuits) do not necessarily protect ICs under all circumstances. If the over current protection circuits operate against the over current, clear the over current status immediately.

Depending on the method of use and usage conditions, such as exceeding absolute maximum ratings can cause the over current protection circuit to not operate properly or IC breakdown before operation. In addition, depending on the method of use and usage conditions, if over current continues to flow for a long time after operation, the IC may generate heat resulting in breakdown.

(2) Thermal Shutdown Circuit

Thermal shutdown circuits do not necessarily protect ICs under all circumstances. If the thermal shutdown circuits operate against the over temperature, clear the heat generation status immediately.

Depending on the method of use and usage conditions, such as exceeding absolute maximum ratings can cause the thermal shutdown circuit to not operate properly or IC breakdown before operation.

(3) Heat Radiation Design

In using an IC with large current flow such as power amp, regulator or driver, please design the device so that heat is appropriately radiated, not to exceed the specified junction temperature (T_j) at any time and condition. These ICs generate heat even during normal use. An inadequate IC heat radiation design can lead to decrease in IC life, deterioration of IC characteristics or IC breakdown. In addition, please design the device taking into consideration the effect of IC heat radiation with peripheral components.

(4) Back-EMF

When a motor reverses the rotation direction, stops or slows down abruptly, a current flow back to the motor's power supply due to the effect of back-EMF. If the current sink capability of the power supply is small, the device's motor power supply and output pins might be exposed to conditions beyond absolute maximum ratings. To avoid this problem, take the effect of back-EMF into consideration in system design.

RESTRICTIONS ON PRODUCT USE

Toshiba Corporation and its subsidiaries and affiliates are collectively referred to as "TOSHIBA". Hardware, software and systems described in this document are collectively referred to as "Product".

- TOSHIBA reserves the right to make changes to the information in this document and related Product without notice.
- This document and any information herein may not be reproduced without prior written permission from TOSHIBA. Even with TOSHIBA's written permission, reproduction is permissible only if reproduction is without alteration/omission.
- Though TOSHIBA works continually to improve Product's quality and reliability, Product can malfunction or fail. Customers are responsible for complying with safety standards and for providing adequate designs and safeguards for their hardware, software and systems which minimize risk and avoid situations in which a malfunction or failure of Product could cause loss of human life, bodily injury or damage to property, including data loss or corruption. Before customers use the Product, create designs including the Product, or incorporate the Product into their own applications, customers must also refer to and comply with (a) the latest versions of all relevant TOSHIBA information, including without limitation, this document, the specifications, the data sheets and application notes for Product and the precautions and conditions set forth in the "TOSHIBA Semiconductor Reliability Handbook" and (b) the instructions for the application with which the Product will be used with or for. Customers are solely responsible for all aspects of their own product design or applications, including but not limited to (a) determining the appropriateness of the use of this Product in such design or applications; (b) evaluating and determining the applicability of any information contained in this document, or in charts, diagrams, programs, algorithms, sample application circuits, or any other referenced documents; and (c) validating all operating parameters for such designs and applications. **TOSHIBA ASSUMES NO LIABILITY FOR CUSTOMERS' PRODUCT DESIGN OR APPLICATIONS.**
- **PRODUCT IS NEITHER INTENDED NOR WARRANTED FOR USE IN EQUIPMENTS OR SYSTEMS THAT REQUIRE EXTRAORDINARILY HIGH LEVELS OF QUALITY AND/OR RELIABILITY, AND/OR A MALFUNCTION OR FAILURE OF WHICH MAY CAUSE LOSS OF HUMAN LIFE, BODILY INJURY, SERIOUS PROPERTY DAMAGE AND/OR SERIOUS PUBLIC IMPACT ("UNINTENDED USE").** Except for specific applications as expressly stated in this document, Unintended Use includes, without limitation, equipment used in nuclear facilities, equipment used in the aerospace industry, lifesaving and/or life supporting medical equipment, equipment used for automobiles, trains, ships and other transportation, traffic signaling equipment, equipment used to control combustions or explosions, safety devices, elevators and escalators, and devices related to power plant. **IF YOU USE PRODUCT FOR UNINTENDED USE, TOSHIBA ASSUMES NO LIABILITY FOR PRODUCT.** For details, please contact your TOSHIBA sales representative or contact us via our website.
- Do not disassemble, analyze, reverse-engineer, alter, modify, translate or copy Product, whether in whole or in part.
- Product shall not be used for or incorporated into any products or systems whose manufacture, use, or sale is prohibited under any applicable laws or regulations.
- The information contained herein is presented only as guidance for Product use. No responsibility is assumed by TOSHIBA for any infringement of patents or any other intellectual property rights of third parties that may result from the use of Product. No license to any intellectual property right is granted by this document, whether express or implied, by estoppel or otherwise.
- **ABSENT A WRITTEN SIGNED AGREEMENT, EXCEPT AS PROVIDED IN THE RELEVANT TERMS AND CONDITIONS OF SALE FOR PRODUCT, AND TO THE MAXIMUM EXTENT ALLOWABLE BY LAW, TOSHIBA (1) ASSUMES NO LIABILITY WHATSOEVER, INCLUDING WITHOUT LIMITATION, INDIRECT, CONSEQUENTIAL, SPECIAL, OR INCIDENTAL DAMAGES OR LOSS, INCLUDING WITHOUT LIMITATION, LOSS OF PROFITS, LOSS OF OPPORTUNITIES, BUSINESS INTERRUPTION AND LOSS OF DATA, AND (2) DISCLAIMS ANY AND ALL EXPRESS OR IMPLIED WARRANTIES AND CONDITIONS RELATED TO SALE, USE OF PRODUCT, OR INFORMATION, INCLUDING WARRANTIES OR CONDITIONS OF MERCHANTABILITY, FITNESS FOR A PARTICULAR PURPOSE, ACCURACY OF INFORMATION, OR NONINFRINGEMENT.**
- Do not use or otherwise make available Product or related software or technology for any military purposes, including without limitation, for the design, development, use, stockpiling or manufacturing of nuclear, chemical, or biological weapons or missile technology products (mass destruction weapons). Product and related software and technology may be controlled under the applicable export laws and regulations including, without limitation, the Japanese Foreign Exchange and Foreign Trade Law and the U.S. Export Administration Regulations. Export and re-export of Product or related software or technology are strictly prohibited except in compliance with all applicable export laws and regulations.
- Please contact your TOSHIBA sales representative for details as to environmental matters such as the RoHS compatibility of Product. Please use Product in compliance with all applicable laws and regulations that regulate the inclusion or use of controlled substances, including without limitation, the EU RoHS Directive. **TOSHIBA ASSUMES NO LIABILITY FOR DAMAGES OR LOSSES OCCURRING AS A RESULT OF NONCOMPLIANCE WITH APPLICABLE LAWS AND REGULATIONS.**