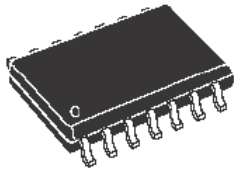


Interface circuit - relay and lamp-driver


SO14

Features

- Open ground protection
- High output current
- Adjustable short-circuit protection to ground
- Thermal protection with hysteresis to avoid the intermediate output levels
- Large supply voltage range: + 8 V to +45 V
- Short-circuit protection to V_{CC}

Applications

- Industrial PC peripheral input/output
- Interface circuit
- Relay and lamp driver
- Stepping-motor driver

Description

TDE1747 is a monolithic comparator designed for high current and high voltage applications, specifically to drive lamps, relays, stepping motors.

This device is essentially blow-out proof. Current limiting is available to limit the peak output current to safe values.

Adjustment only requires one external resistor. In addition, thermal shut down is provided to keep the IC from overheating. If internal dissipation becomes too high, the driver will shut down to prevent excessive heating. TDE1747 has an open ground protection. The output is also protected from shortcircuits with the positive power supply.

The device operates over a wide range of supply voltages from standard ± 15 V operational amplifier supplies down to the single +12 V or +24 V used for industrial electronic systems.

Product status link

[TDE1747](#)

Product label



1 Maximum ratings

Table 1. Absolute maximum ratings

Symbol	Parameter	Value	Unit
V _{CC}	Supply voltage	50 ⁽¹⁾	V
V _I	Input voltage	50	V
V _{ID}	Differential input voltage	50	V
I _O	Output current	1	A
P _{tot}	Power dissipation (T _A = 25 °C)	Internally Limited	W
T _{oper}	Operating free-air temperature range	-25 to 85	°C
T _{STG}	Storage temperature range	-65 to 150	°C

Note: (1)
60 V, t ≤ 10 ms

Table 2. Thermal data

Symbol	Description	Value	Unit
R _{th(JA)}	Thermal resistance junction-ambient	120	°C/W
R _{th(JC)}	Thermal resistance junction-case	50	
R _{th}	Junction-ceramic substrate (case glued to substrate)	90	
R _{th}	Junction-ceramic Substrate (case glued to substrate, substrate temperature maintained constant)	65	

2 Electrical characteristics

$V_{CC} = 8$ to 45 V, $T_J = -25$ to 85 °C, unless otherwise specified (note 1)

Table 3. Electrical characteristics

Symbol	Parameter	Min.	Typ.	Max.	Unit
V_{IO}	Input offset voltage (2)	-	2	50	mV
I_{IB}	Input bias current	-	0.1	1.5	mA
I_{CC}	Supply current ($V_{CC} = 24$ V, $I_O = 0$ mA); High level	-	4	6	mA
	Supply current ($V_{CC} = 24$ V, $I_O = 0$ mA); Low level	-	2	4	mA
$V_{I(max)}$	Common-mode input voltage range	2	-	$V_{CC}-2$	V
I_{SC}	Short-circuit current limit ($T_A = 25$ °C, $V_{CC} = 24$ V); $R_{SC} = 1.5$ Ω	-	480	-	mA
	Short-circuit current limit ($T_A = 25$ °C, $V_{CC} = 24$ V); $R_{SC} = \infty$	-	35	50	mA
$V_{CC} - V_O$	Output saturation voltage (output low), ($V_{I^+} - V^- \geq 50$ mV, $R_{SC} = 0$, $I_O = 300$ mA); $T_J = 25$ °C	-	1.15	1.4	V
	Output saturation voltage (output low), ($V_{I^+} - V^- \geq 50$ mV, $R_{SC} = 0$, $I_O = 300$ mA); $T_A = 25$ °C	-	1.05	1.3	V
I_{OL}	Output leakage current (output high), $V_O = 0$ V, $V_{CC} = 24$ V, $T_A = 25$ °C)	-	0.01	10	μA

Note: (1)
 For operating at high temperature, the TDE1747, must be derated based on 150 °C maximum junction temperature and junction-ambient thermal resistance of 100 °C/W.

Note: (2)
 The offset voltage given is the maximum value of input voltage required to drive the output voltage within 2 V of the ground or the supply voltage.

3 Pin connection and schematic diagram

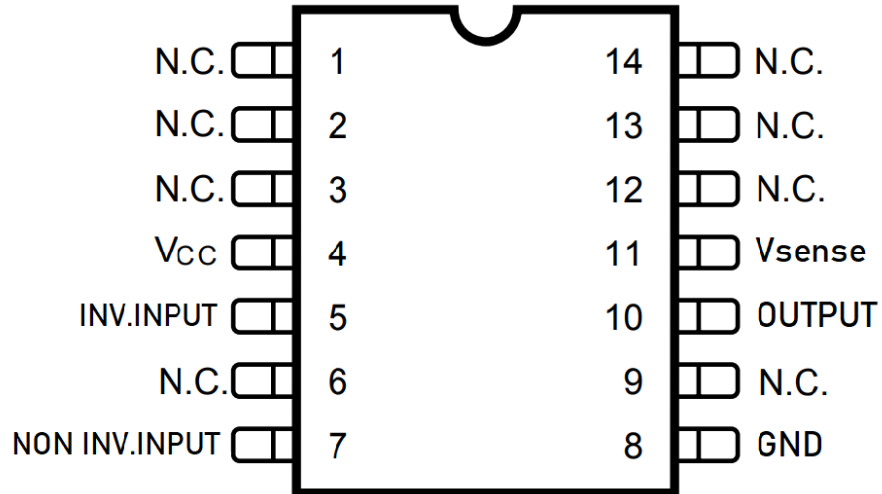
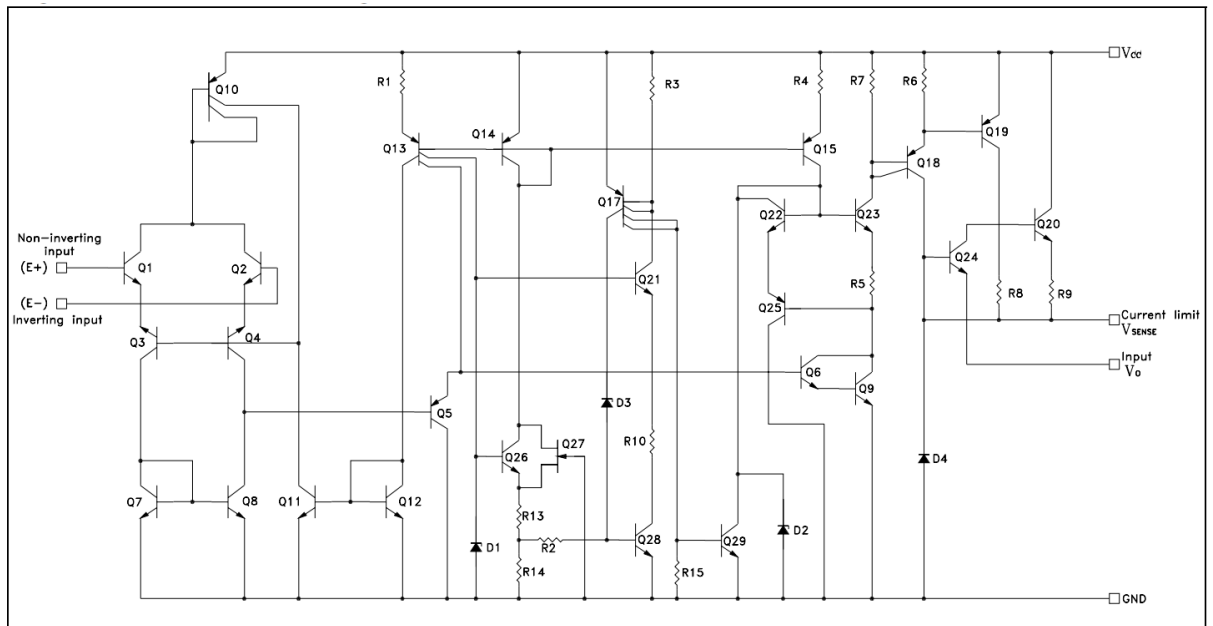
Figure 1. Pin connections (top view)

Figure 2. Schematic diagram


Figure 3. Test circuit

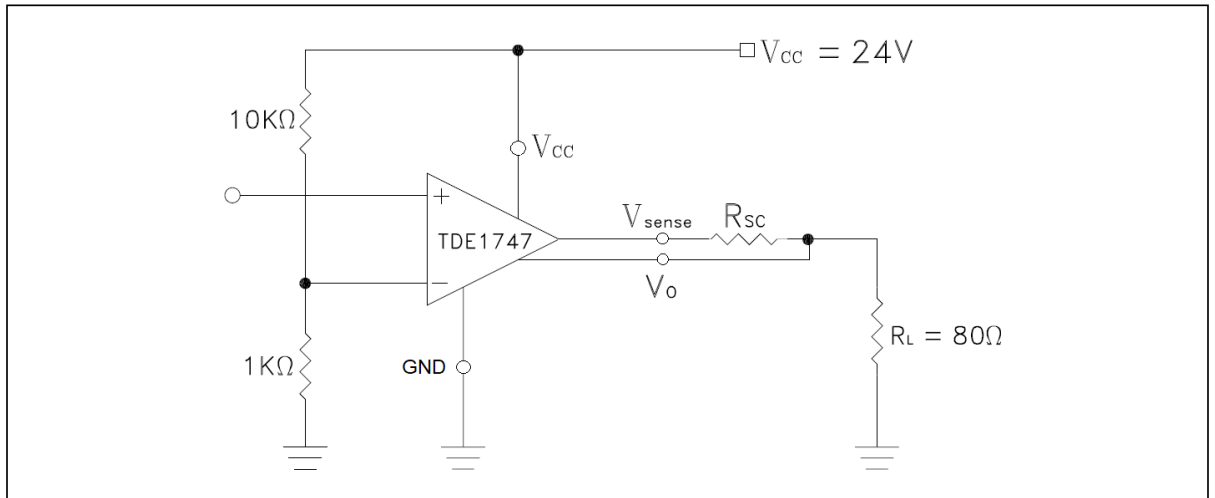
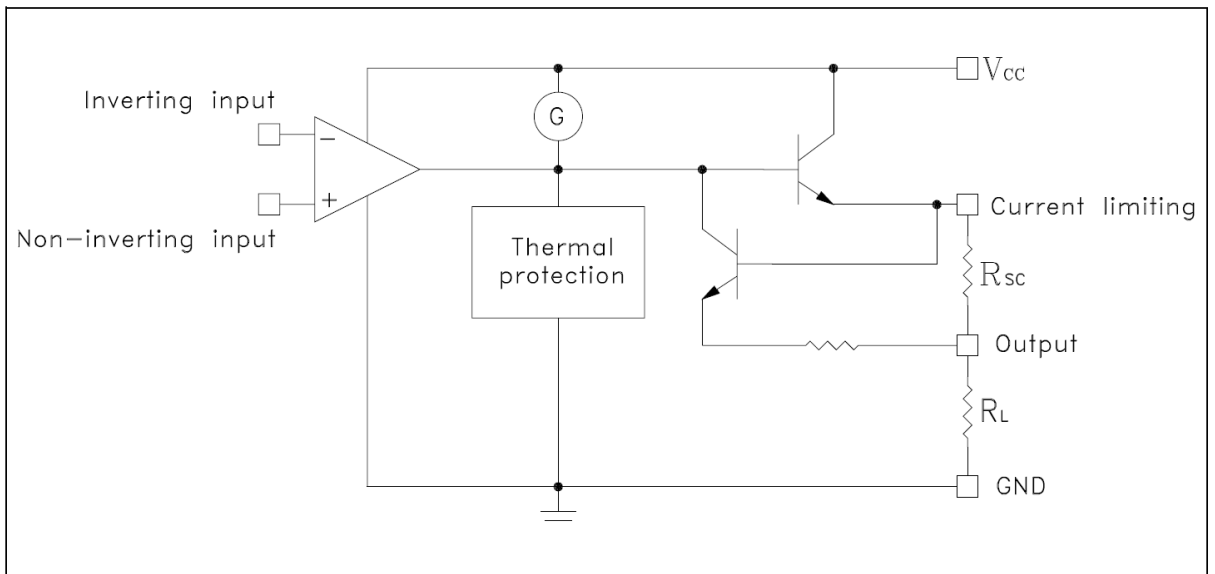


Figure 4. Simplified schematic



4 Typical characteristics

Figure 5. Available output current vs limiting resistors

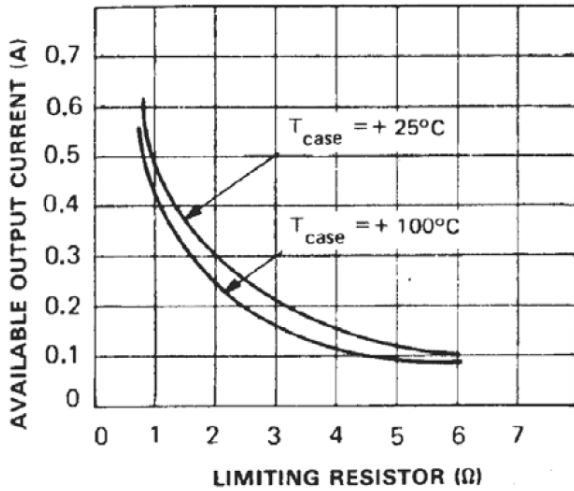


Figure 6. Peak short-circuit vs limiting resistor

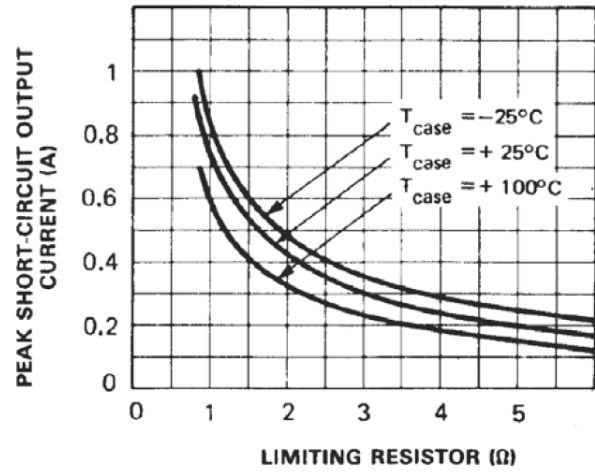


Figure 7. Short-circuit current vs case temperature

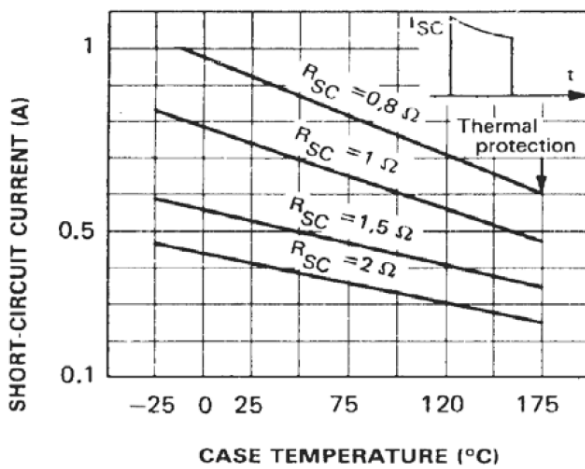


Figure 8. Minimum limiting resistor value vs supply voltage

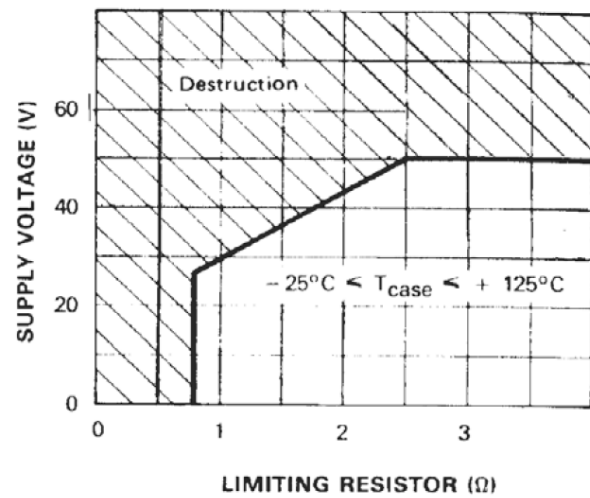


Figure 9. Output current vs output saturation voltage

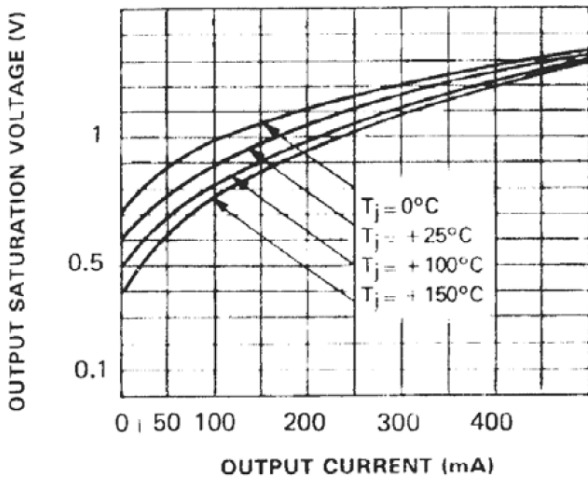


Figure 10. Supply current vs supply voltage

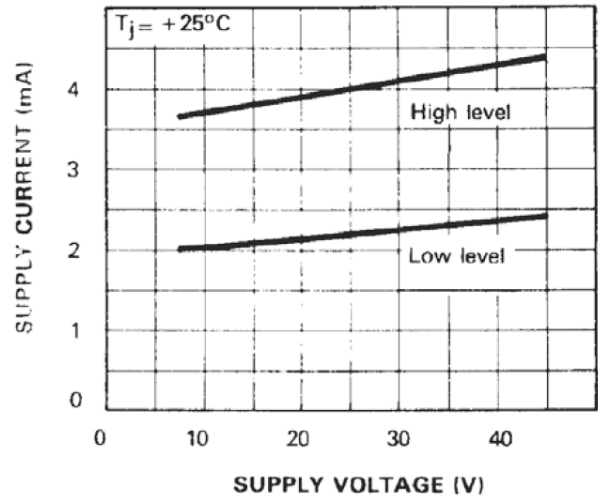


Figure 11. Supply current vs junction temperature

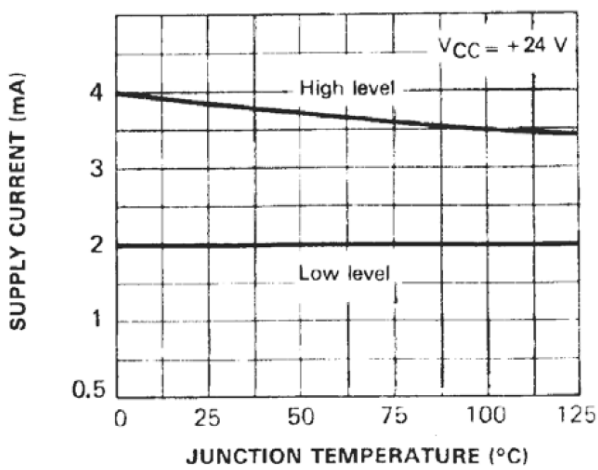


Figure 12. Safe operating area (not repetitive surge)

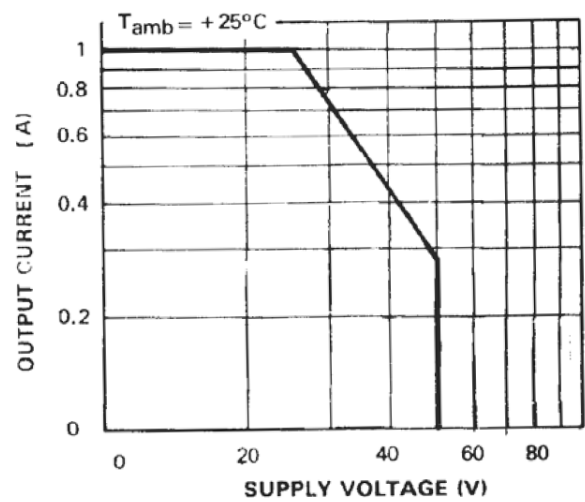
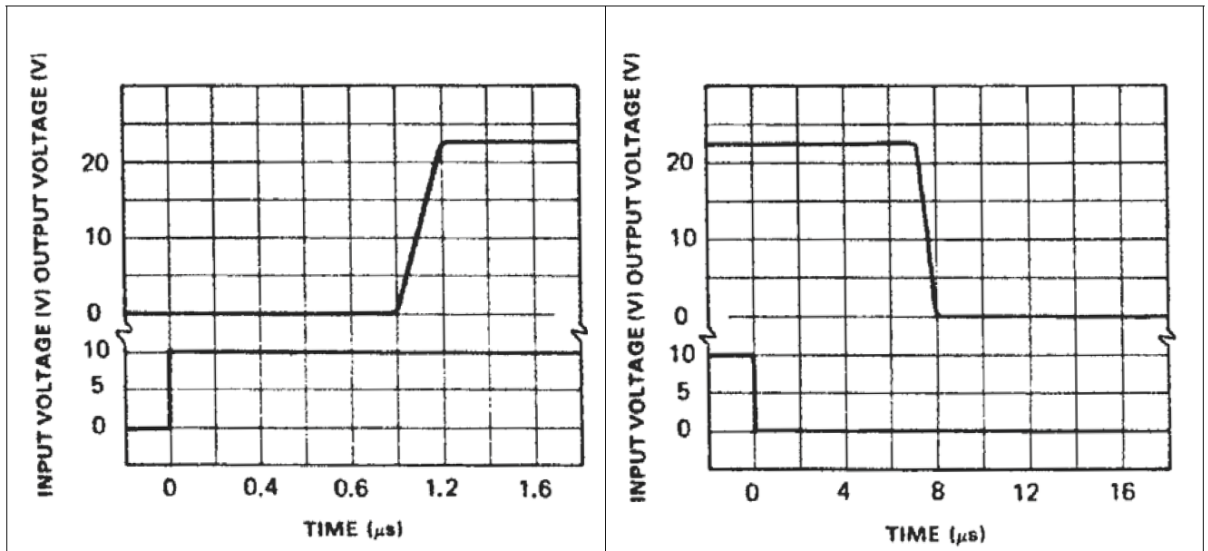


Figure 13. Response time



5 Typical applications

Figure 14. Base circuit

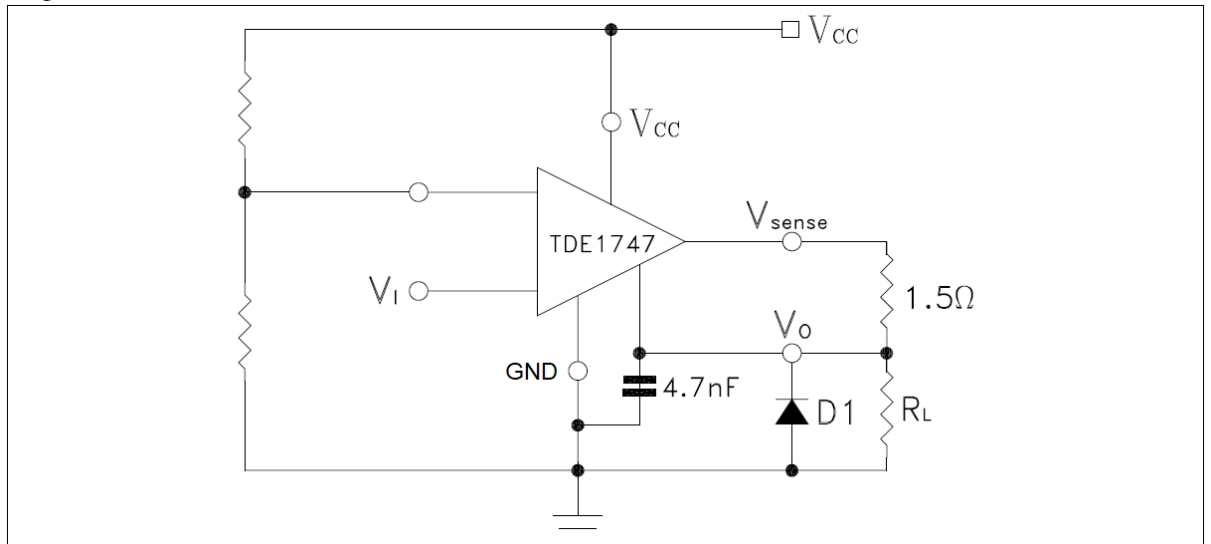


Figure 15. Output current extension (5A)

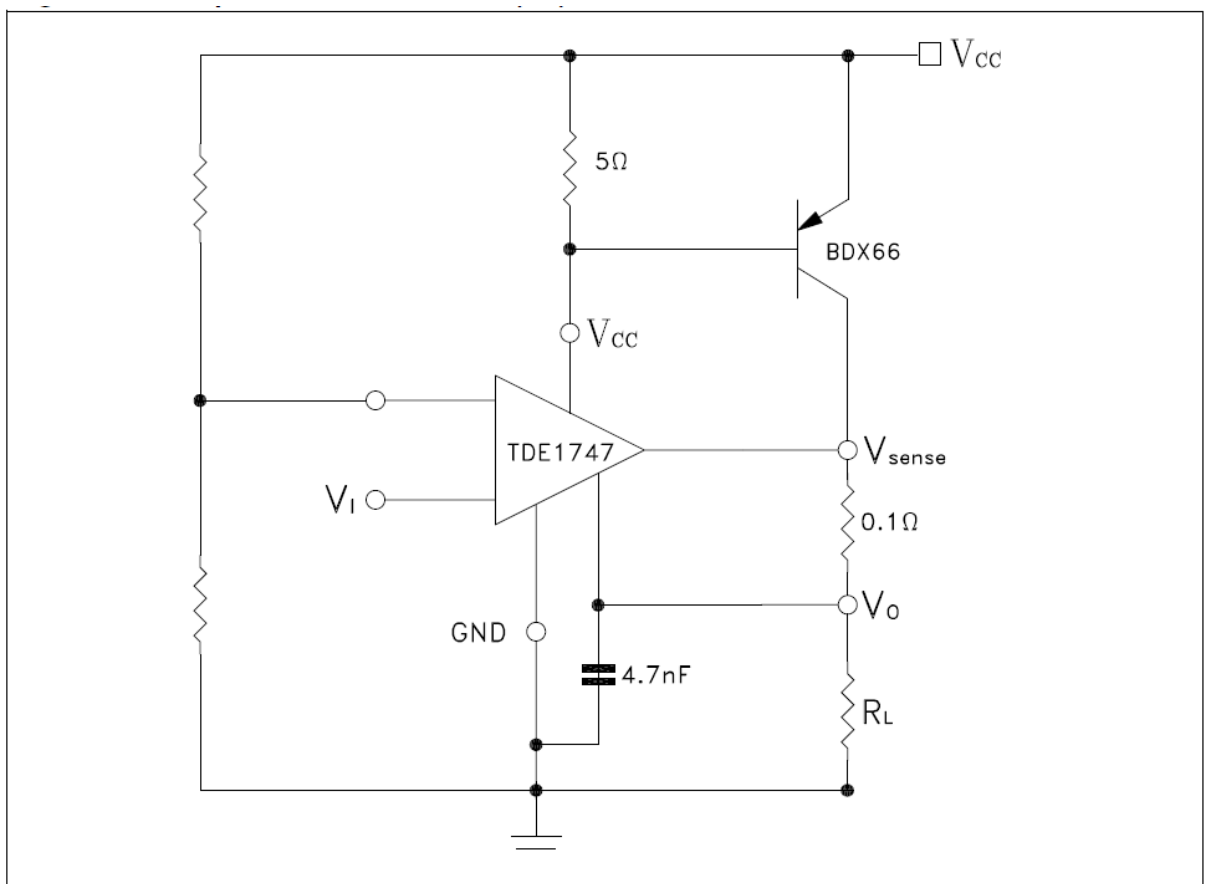
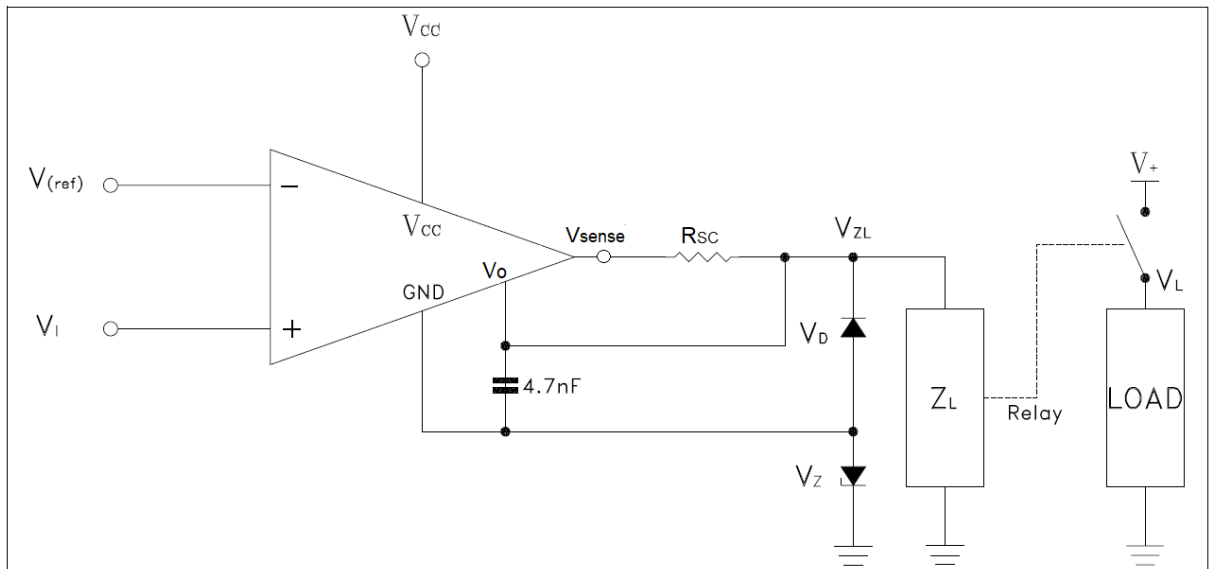


Figure 16. Driving low impedance relays ($I_O = 300\text{mA}$)



6 Waveforms

Figure 17. Input current vs time

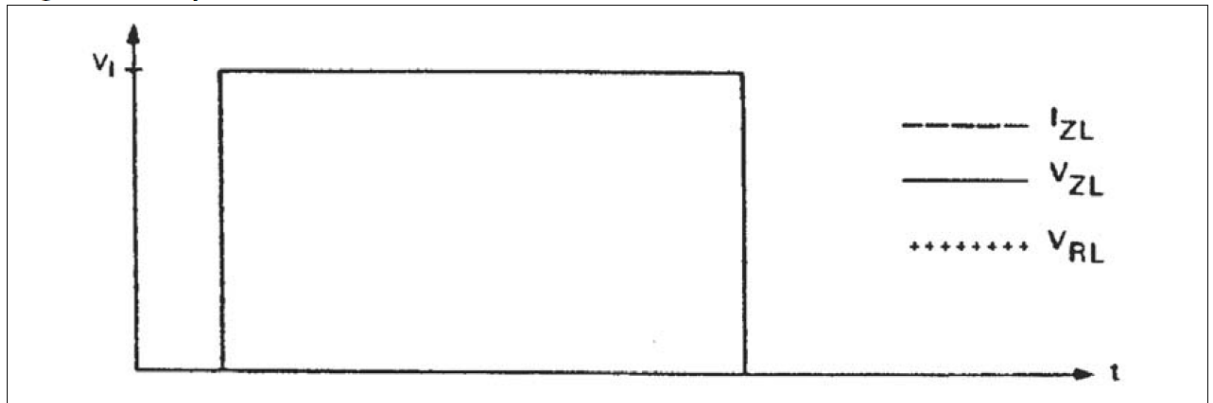


Figure 18. Response time with zener diode

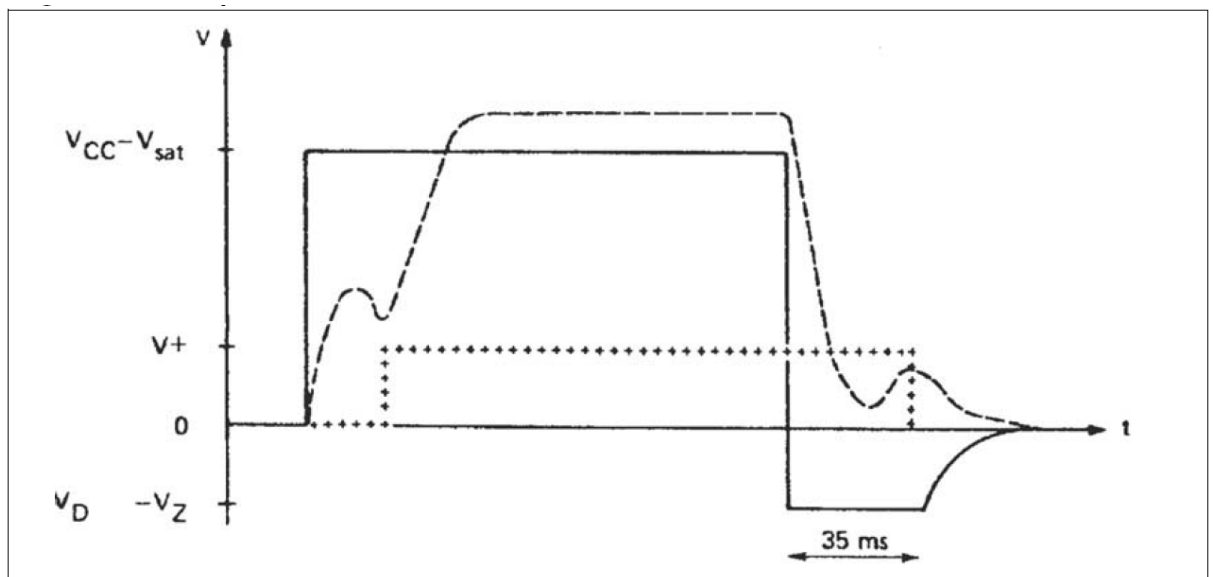
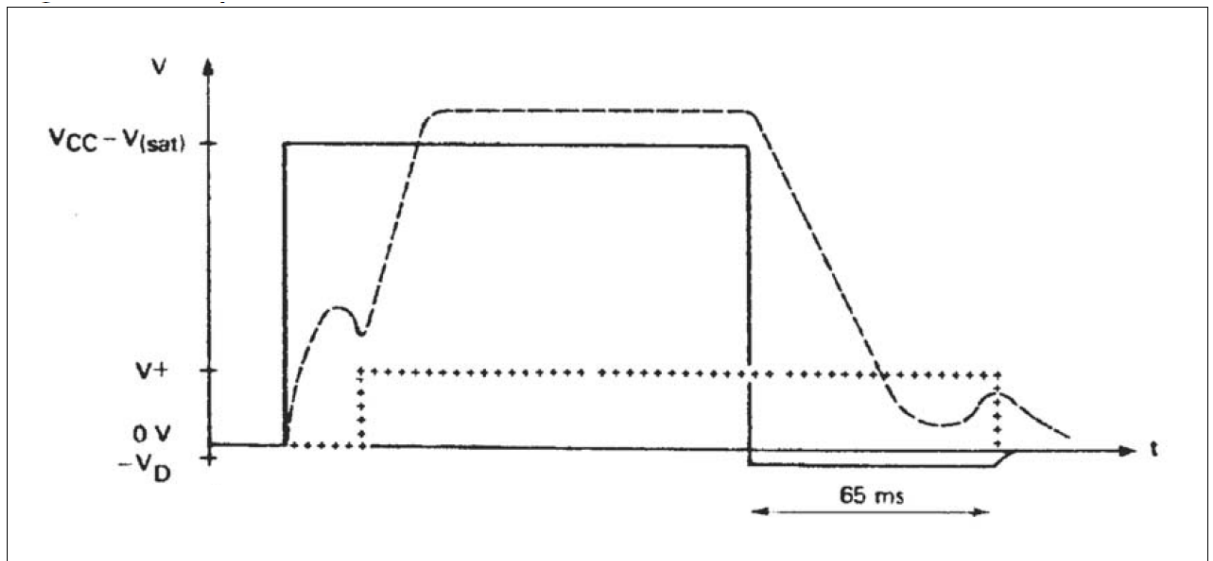


Figure 19. Response time without zener diode



7 Package information

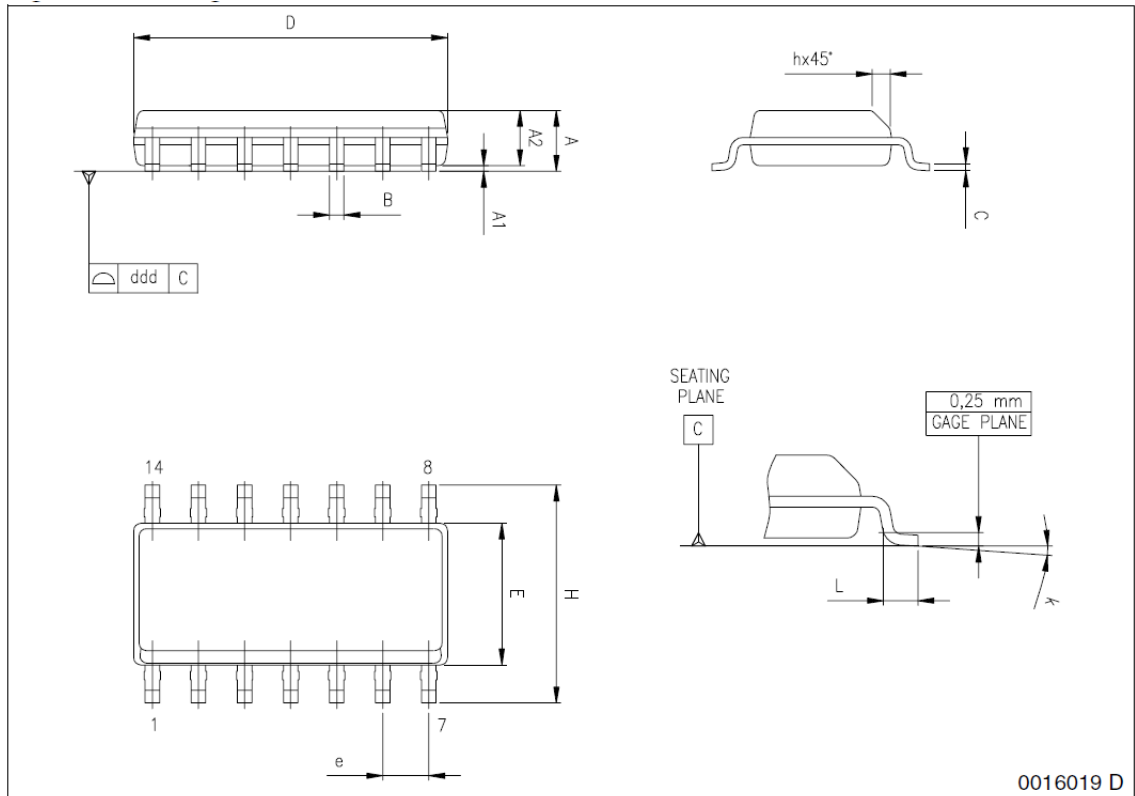
In order to meet environmental requirements, ST offers these devices in different grades of ECOPACK® packages, depending on their level of environmental compliance. ECOPACK® specifications, grade definitions and product status are available at: www.st.com ECOPACK® is an ST trademark.

Table 4. SO14 mechanical data

Dim.	mm			inch		
	Min.	Typ.	Max.	Min.	Typ.	Max.
A	1.35		1.75	0.053		0.069
A1	0.10		0.30	0.004		0.012
A2	1.10		1.65	0.043		0.065
B	0.33		0.51	0.013		0.020
C	0.19		0.25	0.007		0.01
D ⁽¹⁾	8.55		8.75	0.337		0.344
E	3.80		4.0	0.150		0.157
e		1.27			0.050	
H	5.8		6.20	0.228		0.244
h	0.25		0.50	0.01		0.02
L	0.40		1.27	0.016		0.050
k	0° (min), 8° (max)					
ddd			0.10			0.004

Note: (1) "D" dimension does not include mold flash, protusions or gate burrs. Mold flash, protusions or gate burrs shall not exceed 0.15mm per side.

Figure 20. SO14 Package dimensions



8 Ordering information

Table 5. Ordering information

Order code	Package	Packing
TDE1747FP	SO14	Tube
TDE1747FPT		Tape and reel

Revision history

Table 6. Document revision history

Date	Version	Changes
20-Sep-2006	1	Initial release.
10-Dec-2021	2	Deleted PN TDE1747DP (DIP-8); added "Applications" in front page; changed fig. 3,14,15,16; some other minor changes.

Contents

1	Maximum ratings	2
2	Electrical characteristics	3
3	Pin connection and schematic diagram	4
4	Typical characteristics	6
5	Typical applications	9
6	Waveforms	11
7	Package information	13
8	Ordering information	15
	Revision history	16
	Contents	17
	List of tables	18
	List of figures	19

List of tables

Table 1.	Absolute maximum ratings	2
Table 2.	Thermal data	2
Table 3.	Electrical characteristics	3
Table 4.	SO14 mechanical data	13
Table 5.	Ordering information.	15
Table 6.	Document revision history	16

List of figures

Figure 1.	Pin connections (top view)	4
Figure 2.	Schematic diagram	4
Figure 3.	Test circuit	5
Figure 4.	Simplified schematic	5
Figure 5.	Available output current vs limiting resistors	6
Figure 6.	Peak short-circuit vs limiting resistor	6
Figure 7.	Short-circuit current vs case temperature	6
Figure 8.	Minimum limiting resistor value vs supply voltage	6
Figure 9.	Output current vs output saturation voltage	7
Figure 10.	Supply current vs supply voltage	7
Figure 11.	Supply current vs junction temperature	7
Figure 12.	Safe operating area (not repetitive surge)	7
Figure 13.	Response time	8
Figure 14.	Base circuit	9
Figure 15.	Output current extension (5A)	9
Figure 16.	Driving low impedance relays ($I_O = 300\text{mA}$)	10
Figure 17.	Input current vs time	11
Figure 18.	Response time with zener diode	11
Figure 19.	Response time without zener diode	12
Figure 20.	SO14 Package dimensions	14

IMPORTANT NOTICE – PLEASE READ CAREFULLY

STMicroelectronics NV and its subsidiaries (“ST”) reserve the right to make changes, corrections, enhancements, modifications, and improvements to ST products and/or to this document at any time without notice. Purchasers should obtain the latest relevant information on ST products before placing orders. ST products are sold pursuant to ST’s terms and conditions of sale in place at the time of order acknowledgement.

Purchasers are solely responsible for the choice, selection, and use of ST products and ST assumes no liability for application assistance or the design of Purchasers’ products.

No license, express or implied, to any intellectual property right is granted by ST herein.

Resale of ST products with provisions different from the information set forth herein shall void any warranty granted by ST for such product.

ST and the ST logo are trademarks of ST. For additional information about ST trademarks, please refer to www.st.com/trademarks. All other product or service names are the property of their respective owners.

Information in this document supersedes and replaces information previously supplied in any prior versions of this document.

© 2021 STMicroelectronics – All rights reserved