

Automotive-grade dual N-channel 30 V, 5.9 mΩ typ., 20 A STripFET™ H5 Power MOSFET in a PowerFLAT™ 5x6 double island package

Datasheet - production data

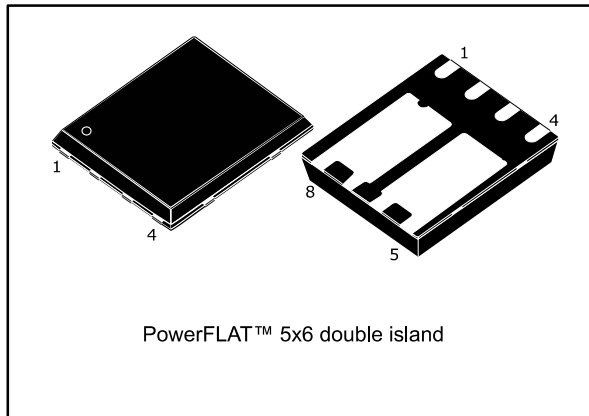
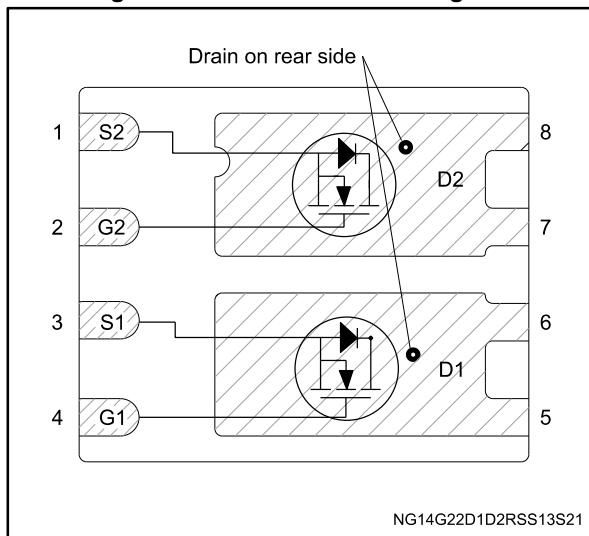


Figure 1: Internal schematic diagram



Features

Order code	V _{DS}	R _{DS(on)} max.	I _D	P _{TOT}
STL66DN3LLH5	30 V	6.5 mΩ	20 A	4.7 W

- Designed for automotive applications and AEC-Q101 qualified
- Logic level V_{GS(th)}
- 175 °C maximum junction temperature
- Wettable flanks package

Applications

- Switching applications

Description

This device is a dual N-channel Power MOSFET developed using STMicroelectronics' STripFET™ H5 technology. The device has been optimized to achieve very low on-state resistance, contributing to a FoM that is among the best in its class.

Table 1: Device summary

Order code	Marking	Package	Packing
STL66DN3LLH5	66DN3LH5	PowerFLAT™ 5x6 double island	Tape and reel

Contents

- 1 Electrical ratings 3**
- 2 Electrical characteristics 4**
 - 2.1 Electrical characteristics (curves) 6
- 3 Test circuits 8**
- 4 Package information 9**
 - 4.1 PowerFLAT™ 5x6 double island WF type C package information 9
 - 4.2 PowerFLAT™ 5x6 WF packing information 12
- 5 Revision history 14**



1 Electrical ratings

Table 2: Absolute maximum ratings

Symbol	Parameter	Value	Unit
V_{DS}	Drain-source voltage	30	V
V_{GS}	Gate-source voltage	±22	V
$I_D^{(1)}$	Drain current (continuous) at $T_{case} = 25\text{ °C}$	78.5	A
	Drain current (continuous) at $T_{case} = 100\text{ °C}$	55.5	
$I_D^{(2)}$	Drain current (continuous) at $T_{pcb} = 25\text{ °C}$	20	A
	Drain current (continuous) at $T_{pcb} = 100\text{ °C}$	14.2	
$I_{DM}^{(2)/(3)}$	Drain current (pulsed)	80	A
P_{TOT}	Total dissipation at $T_{case} = 25\text{ °C}$	72	W
$P_{TOT}^{(1)}$	Total dissipation at $T_{pcb} = 25\text{ °C}$	4.7	
T_{stg}	Storage temperature	-55 to 175	°C
T_j	Operating junction temperature		

Notes:

- (1) This value is rated according to R_{thj-c}
(2) When mounted on a 1-inch² FR-4, 2 Oz copper board, $t < 10\text{ s}$.
(3) Pulse width is limited by safe operating area.

Table 3: Thermal data

Symbol	Parameter	Value	Unit
$R_{thj-case}$	Thermal resistance junction-case	2.08	°C/W
$R_{thj-pcb}^{(1)}$	Thermal resistance junction-pcb	32	

Notes:

- (1) When mounted on a 1-inch² FR-4, 2 Oz copper board, $t < 10\text{ s}$.

Table 4: Avalanche characteristics

Symbol	Parameter	Value	Unit
I_{AV}	Avalanche current, not repetitive	18.5	A
$E_{AS}^{(1)}$	Single pulse avalanche energy	270	mJ

Notes:

- (1) starting $T_j = 25\text{ °C}$, $I_D = 38\text{ A}$, $V_{DD} = 24\text{ V}$.

2 Electrical characteristics

($T_{\text{case}} = 25\text{ °C}$ unless otherwise specified)

Table 5: Static

Symbol	Parameter	Test conditions	Min.	Typ.	Max.	Unit
$V_{(BR)DSS}$	Drain-source breakdown voltage	$V_{GS} = 0\text{ V}$, $I_D = 250\text{ }\mu\text{A}$	30			V
I_{DSS}	Zero gate voltage drain current	$V_{GS} = 0\text{ V}$, $V_{DS} = 30\text{ V}$			1	μA
		$V_{GS} = 0\text{ V}$, $V_{DS} = 30\text{ V}$, $T_C = 125\text{ °C}$			100	
I_{GSS}	Gate-body leakage current	$V_{DS} = 0\text{ V}$, $V_{GS} = \pm 22\text{ V}$			± 10	μA
$V_{GS(th)}$	Gate threshold voltage	$V_{DS} = V_{GS}$, $I_D = 250\text{ }\mu\text{A}$	1		3	V
$R_{DS(on)}$	Static drain-source on-resistance	$V_{GS} = 10\text{ V}$, $I_D = 10\text{ A}$		5.9	6.5	m Ω
		$V_{GS} = 4.5\text{ V}$, $I_D = 10\text{ A}$		7.1	7.9	

Table 6: Dynamic

Symbol	Parameter	Test conditions	Min.	Typ.	Max.	Unit
C_{iss}	Input capacitance	$V_{DS} = 25\text{ V}$, $f = 1\text{ MHz}$, $V_{GS} = 0\text{ V}$	-	1500	-	pF
C_{oss}	Output capacitance		-	230	-	
C_{riss}	Reverse transfer capacitance		-	23	-	
Q_g	Total gate charge	$V_{DD} = 15\text{ V}$, $I_D = 19\text{ A}$, $V_{GS} = 4.5\text{ V}$ (see Figure 14 : "Test circuit for gate charge behavior")	-	12	-	nC
Q_{gs}	Gate-source charge		-	5	-	
Q_{gd}	Gate-drain charge		-	4.4	-	

Table 7: Switching times

Symbol	Parameter	Test conditions	Min.	Typ.	Max.	Unit
$t_{d(on)}$	Turn-on delay time	$V_{DD} = 15\text{ V}$, $I_D = 9.5\text{ A}$ $R_G = 4.7\text{ }\Omega$, $V_{GS} = 10\text{ V}$ (see Figure 13 : "Test circuit for resistive load switching times" and Figure 18 : "Switching time waveform")	-	8.8	-	ns
t_r	Rise time		-	18	-	
$t_{d(off)}$	Turn-off delay time		-	26	-	
t_f	Fall time		-	4	-	

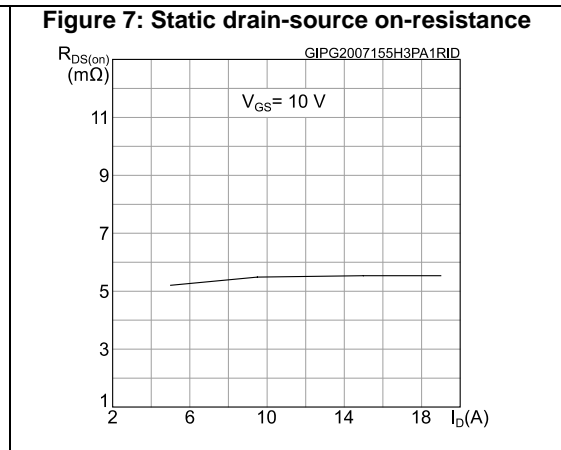
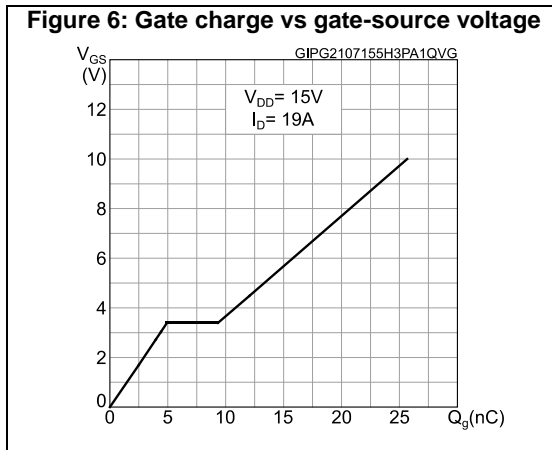
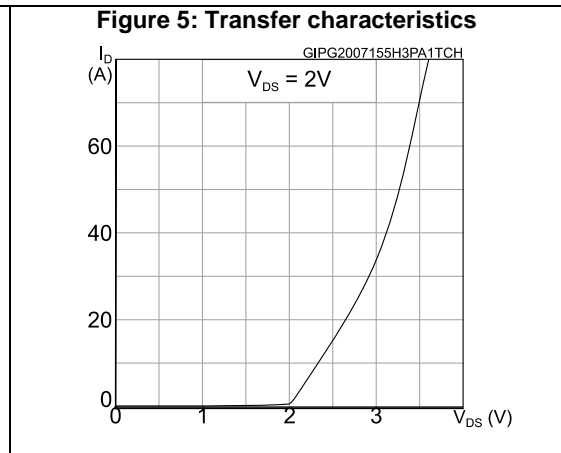
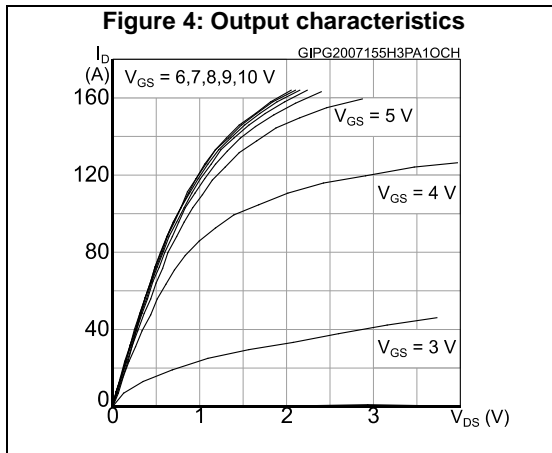
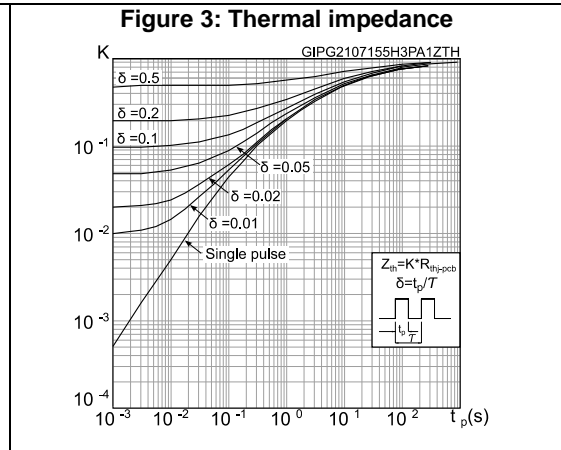
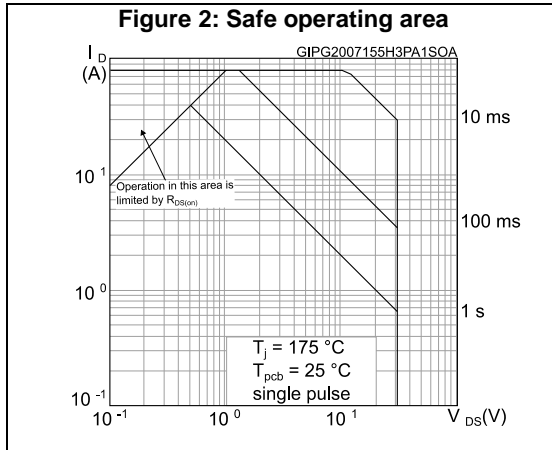
Table 8: Source-drain diode

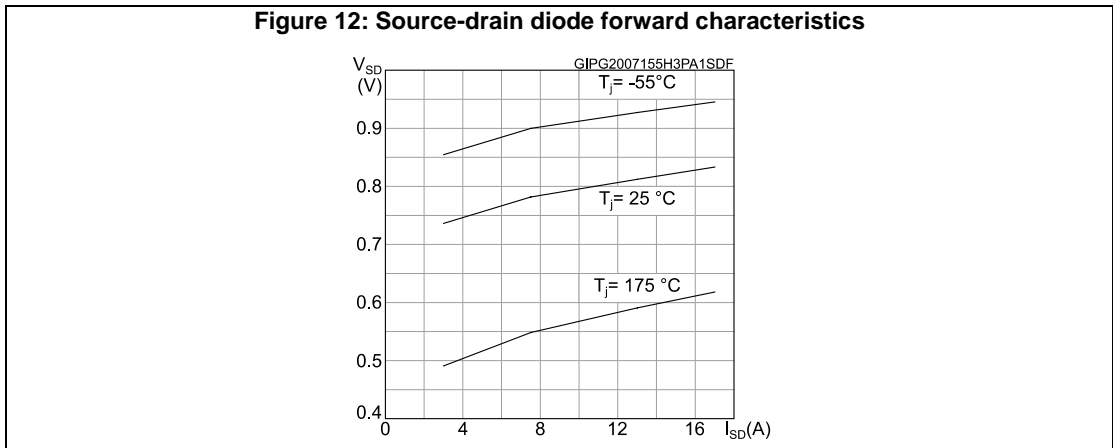
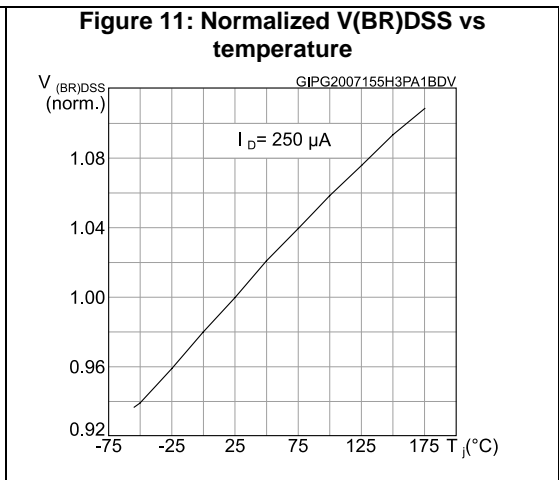
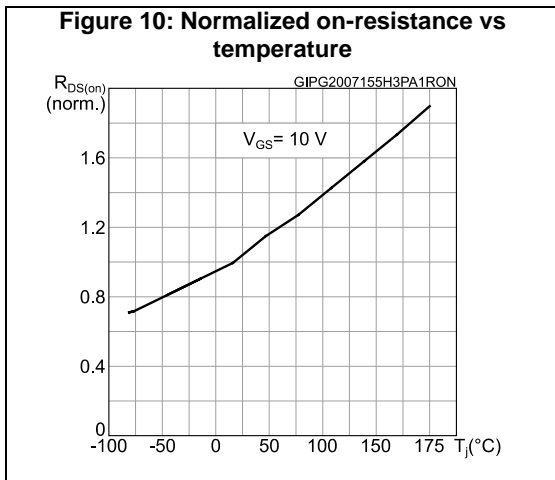
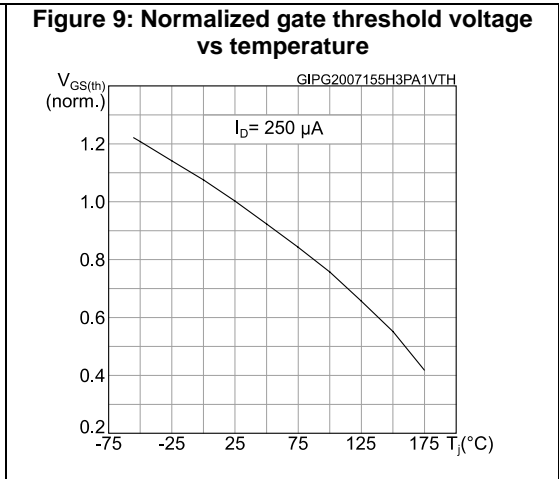
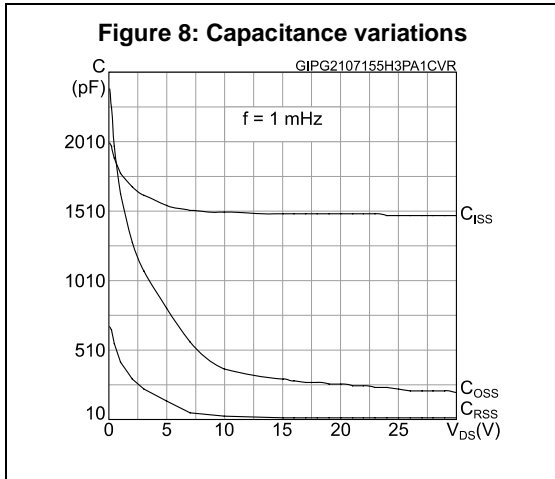
Symbol	Parameter	Test conditions	Min.	Typ.	Max.	Unit
I_{SD}	Source-drain current		-		20	A
$I_{SDM}^{(1)}$	Source-drain current (pulsed)		-		80	A
$V_{SD}^{(2)}$	Forward on voltage	$V_{GS} = 0\text{ V}$, $I_{SD} = 19\text{ A}$	-		1.1	V
t_{rr}	Reverse recovery time	$I_{SD} = 19\text{ A}$, $di/dt = 100\text{ A}/\mu\text{s}$, $V_{DD} = 25\text{ V}$, $T_j = 150\text{ }^\circ\text{C}$ (see <i>Figure 15: "Test circuit for inductive load switching and diode recovery times")</i>)	-	24		ns
Q_{rr}	Reverse recovery charge		-	12		nC
I_{RRM}	Reverse recovery current		-	1.8		A

Notes:

- (1) Pulse width is limited by safe operating area.
(2) Pulse test: pulse duration = 300 μs , duty cycle 1.5%.

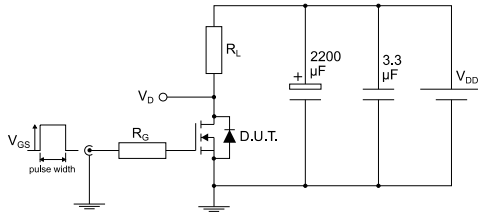
2.1 Electrical characteristics (curves)





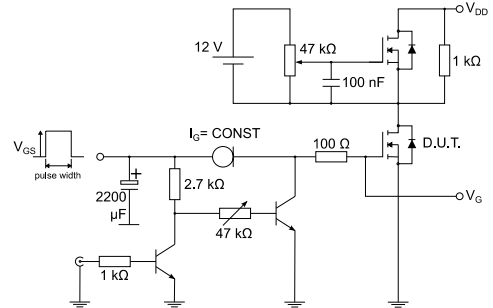
3 Test circuits

Figure 13: Test circuit for resistive load switching times



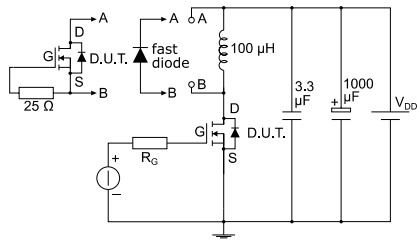
AM01468v1

Figure 14: Test circuit for gate charge behavior



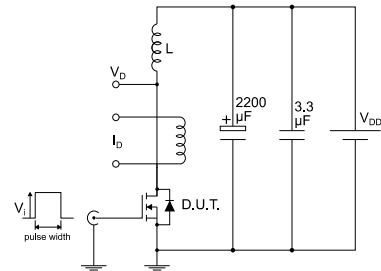
AM01468v1

Figure 15: Test circuit for inductive load switching and diode recovery times



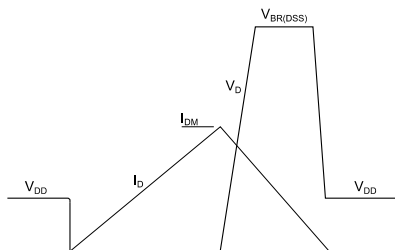
AM01470v1

Figure 16: Unclamped inductive load test circuit



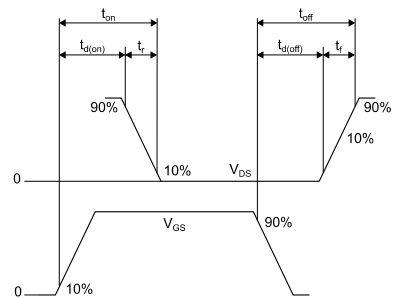
AM01471v1

Figure 17: Unclamped inductive waveform



AM01472v1

Figure 18: Switching time waveform



AM01473v1

4 Package information

In order to meet environmental requirements, ST offers these devices in different grades of ECOPACK® packages, depending on their level of environmental compliance. ECOPACK® specifications, grade definitions and product status are available at: www.st.com. ECOPACK® is an ST trademark.

4.1 PowerFLAT™ 5x6 double island WF type C package information

Figure 19: PowerFLAT™ 5x6 double island WF type C package outline

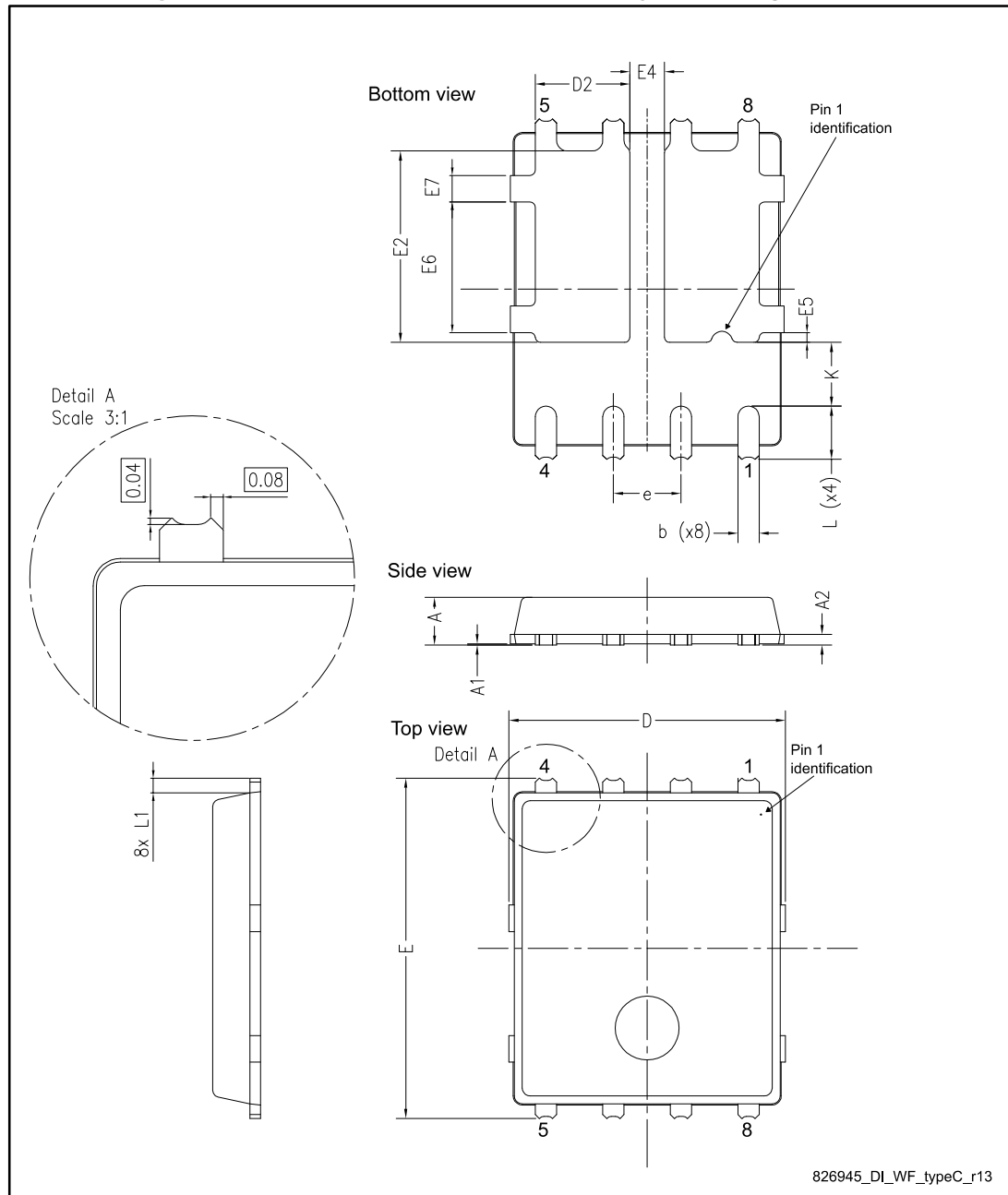
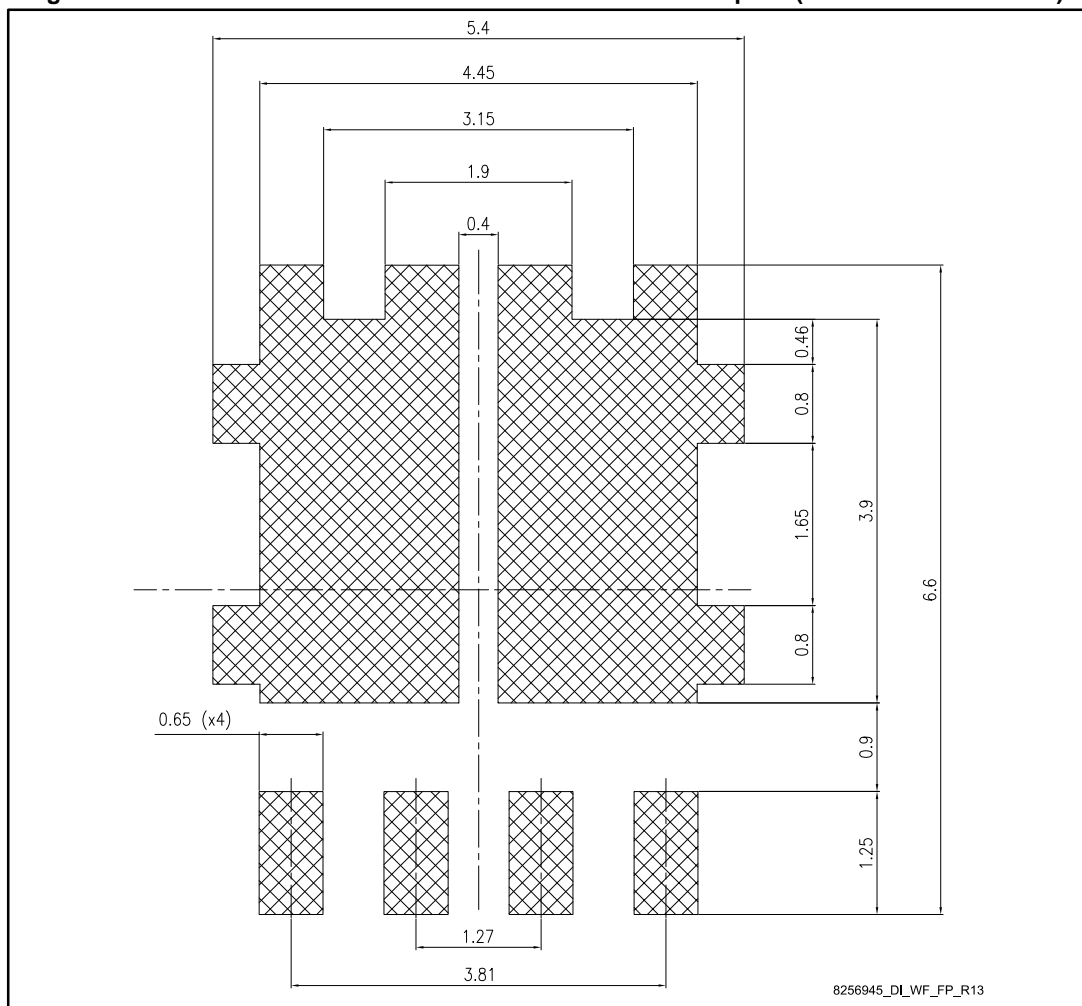


Table 9: PowerFLAT™ 5x6 double island WF type C mechanical data

Dim.	mm		
	Min.	Typ.	Max.
A	0.80		1.00
A1	0.02		0.05
A2		0.25	
b	0.30		0.50
D	5.00	5.20	5.40
D2	1.68		1.88
E	6.20	6.40	6.60
E2	3.50		3.70
E4	0.55		0.75
E5	0.08		0.28
E6	2.35		2.55
E7	0.40		0.60
e		1.27	
L	0.90		1.10
L1		0.275	
K	1.05		1.35

Figure 20: PowerFLAT™ 5x6 double island recommended footprint (dimensions are in mm)



4.2 PowerFLAT™ 5x6 WF packing information

Figure 21: PowerFLAT™ 5x6 WF tape

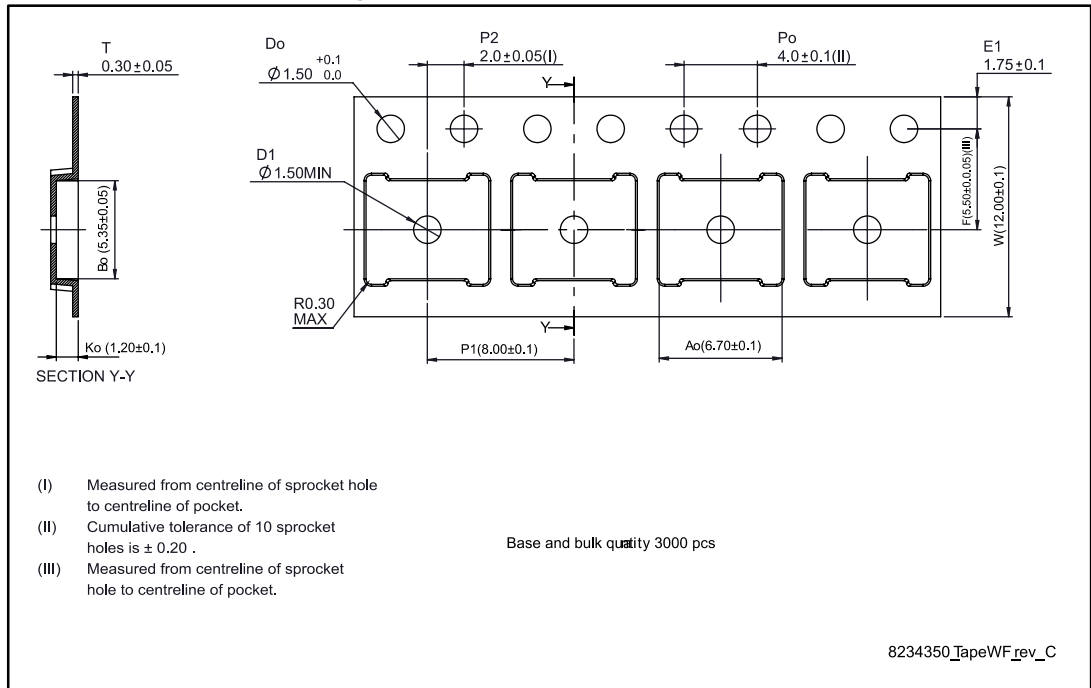


Figure 22: PowerFLAT™ 5x6 package orientation in carrier tape

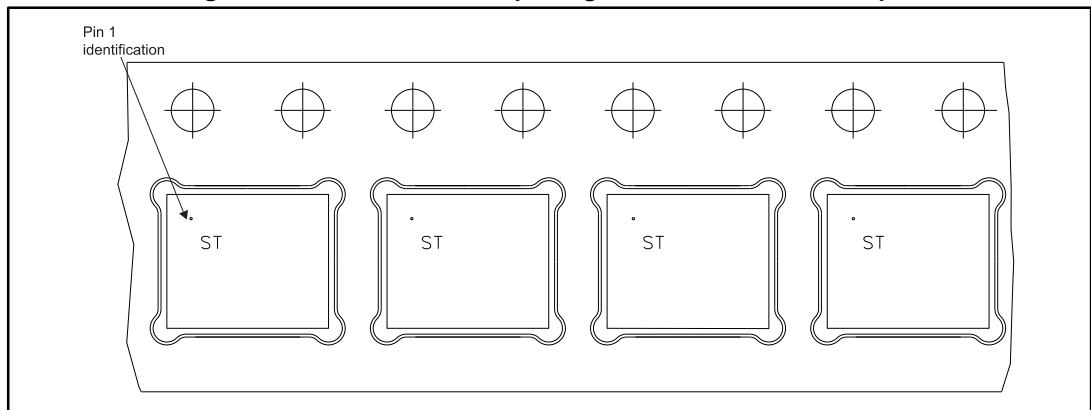
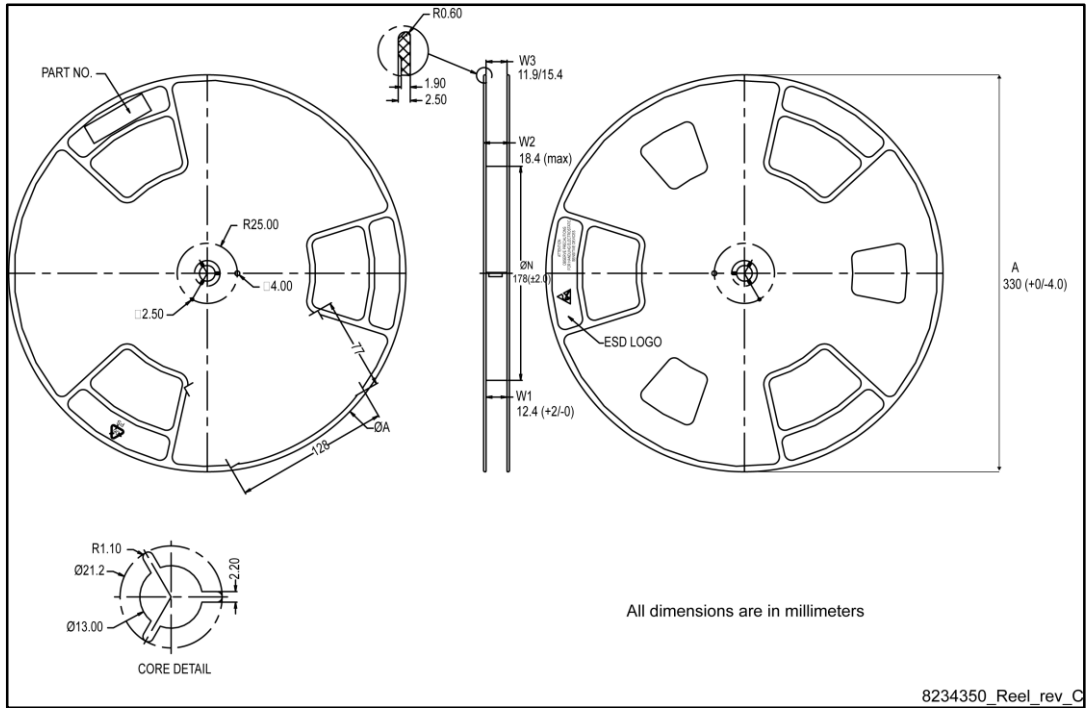


Figure 23: PowerFLAT™ 5x6 reel



5 Revision history

Table 10: Document revision history

Date	Revision	Changes
12-Oct-2011	1	First release.
14-Mar-2012	2	Document status changed from preliminary data to production data. Inserted Section 5: Packaging mechanical data. Minor text changes.
28-Aug-2015	3	Text and formatting changes throughout document Updated device marking information. Updated device package information.

IMPORTANT NOTICE – PLEASE READ CAREFULLY

STMicroelectronics NV and its subsidiaries ("ST") reserve the right to make changes, corrections, enhancements, modifications, and improvements to ST products and/or to this document at any time without notice. Purchasers should obtain the latest relevant information on ST products before placing orders. ST products are sold pursuant to ST's terms and conditions of sale in place at the time of order acknowledgement.

Purchasers are solely responsible for the choice, selection, and use of ST products and ST assumes no liability for application assistance or the design of Purchasers' products.

No license, express or implied, to any intellectual property right is granted by ST herein.

Resale of ST products with provisions different from the information set forth herein shall void any warranty granted by ST for such product.

ST and the ST logo are trademarks of ST. All other product or service names are the property of their respective owners.

Information in this document supersedes and replaces information previously supplied in any prior versions of this document.

© 2015 STMicroelectronics – All rights reserved