

LM1596/LM1496 Balanced Modulator-Demodulator

General Description

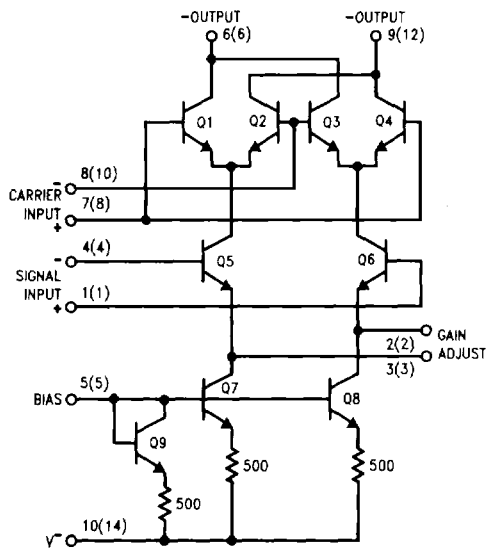
The LM1596/LM1496 are doubled balanced modulator-demodulators which produce an output voltage proportional to the product of an input (signal) voltage and a switching (carrier) signal. Typical applications include suppressed carrier modulation, amplitude modulation, synchronous detection, FM or PM detection, broadband frequency doubling and chopping.

The LM1596 is specified for operation over the -55°C to $+125^{\circ}\text{C}$ military temperature range. The LM1496 is specified for operation over the 0°C to $+70^{\circ}\text{C}$ temperature range.

Features

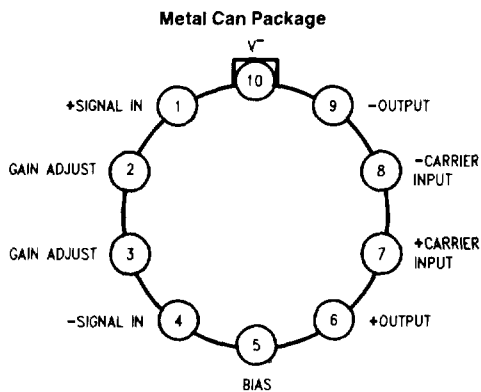
- Excellent carrier suppression
65 dB typical at 0.5 MHz
50 dB typical at 10 MHz
- Adjustable gain and signal handling
- Fully balanced inputs and outputs
- Low offset and drift
- Wide frequency response up to 100 MHz

Schematic and Connection Diagrams



TL/H/7887-1

Numbers in parentheses show DiP connections.



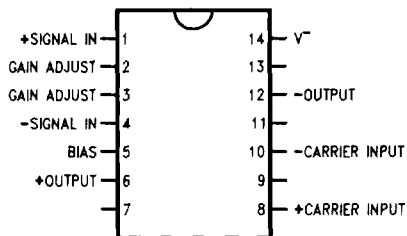
TL/H/7887-2

Top View

Note: Pin 10 is connected electrically to the case through the device substrate.

Order Number **LM1496H** or **LM1596H**
See NS Package Number **H08C**

Dual-In-Line and Small Outline Packages



TL/H/7887-3

Order Number **LM1496M** or **LM1496N**
See NS Package Number **M14A** or **N14A**

Absolute Maximum Ratings

If Military/Aerospace specified devices are required, please contact the National Semiconductor Sales Office/Distributors for availability and specifications.

Internal Power Dissipation (Note 1)	500 mW
Applied Voltage (Note 2)	30V
Differential Input Signal ($V_7 - V_8$)	$\pm 5.0V$
Differential Input Signal ($V_4 - V_1$)	$\pm (5 + I_5 R_0)V$
Input Signal ($V_2 - V_1, V_3 - V_4$)	5.0V
Bias Current (I_5)	12 mA
Operating Temperature Range LM1596	-55°C to +125°C
LM1496	0°C to +70°C
Storage Temperature Range	-65°C to +150°C

Soldering Information

- Dual-In-Line Package

Soldering (10 seconds)	260°C
------------------------	-------
- Small Outline Package

Vapor Phase (60 seconds)	215°C
Infrared (15 seconds)	220°C

See AN-450 "Surface Mounting Methods and their effects on Product Reliability" for other methods of soldering surface mount devices.

Electrical Characteristics ($T_A = 25^\circ\text{C}$, unless otherwise specified, see test circuit)

Parameter	Conditions	LM1596			LM1496			Units
		Min	Typ	Max	Min	Typ	Max	
Carrier Feedthrough	V_C 60 mVrms sine wave		40		40			μVrms
	f_C 1.0 kHz, offset adjusted							
	V_C 60 mVrms sine wave		140		140			μVrms
	f_C 10 kHz, offset adjusted							
	V_C 300 mV _{pp} square wave		0.04	0.2	0.04	0.2		mVrms
Carrier Suppression	f_C 1.0 kHz, offset adjusted							
	V_C 300 mV _{pp} square wave		20	100	20	150		mVrms
	f_C 1.0 kHz, not offset adjusted							
Carrier Suppression	f_S 10 kHz, 300 mVrms	50	65		50	65		dB
	f_C 500 kHz, 60 mVrms sine wave offset adjusted							
	f_S 10 kHz, 300 mVrms		50		50			dB
Transadmittance Bandwidth	f_C 10 MHz, 60 mVrms sine wave offset adjusted							
	R_L 50 Ω		300		300			MHz
	Carrier Input Port, V_C 60 mVrms sine wave							
Voltage Gain, Signal Channel	f_S 1.0 kHz, 300 mVrms sine wave		80		80			MHz
	Signal Input Port, V_S 300 mVrms sine wave							
Voltage Gain, Signal Channel	$V_7 - V_8 = 0.5\text{Vdc}$							
	V_S 100 mVrms, $f = 1.0$ kHz	2.5	3.5		2.5	3.5		V/V
Input Resistance, Signal Port	$V_7 - V_8 = 0.5\text{Vdc}$							
	$f = 5.0$ MHz		200		200			k Ω
Input Capacitance, Signal Port	$V_7 - V_8 = 0.5\text{Vdc}$							
	$f = 5.0$ MHz		2.0		2.0			pF
Single Ended Output Resistance	$f = 10$ MHz		40		40			k Ω
Single Ended Output Capacitance	$f = 10$ MHz		5.0		5.0			pF
Input Bias Current	$(I_1 + I_4)/2$		12	25	12	30		μA
Input Bias Current	$(I_7 + I_8)/2$		12	25	12	30		μA
Input Offset Current	$(I_1 - I_4)$		0.7	5.0	0.7	5.0		μA
Input Offset Current	$(I_7 - I_8)$		0.7	5.0	5.0	5.0		μA
Average Temperature Coefficient of Input Offset Current	$(-55^\circ\text{C} < T_A < +125^\circ\text{C})$ $(0^\circ\text{C} < T_A < +70^\circ\text{C})$		2.0			2.0		nA/ $^\circ\text{C}$ nA/ $^\circ\text{C}$
Output Offset Current	$(I_6 - I_9)$		14	50	14	60		μA
Average Temperature Coefficient of Output Offset Current	$(-55^\circ\text{C} < T_A < +125^\circ\text{C})$ $(0^\circ\text{C} < T_A < +70^\circ\text{C})$		90			90		nA/ $^\circ\text{C}$ nA/ $^\circ\text{C}$

Electrical Characteristics ($T_A = 25^\circ\text{C}$, unless otherwise specified, see test circuit) (Continued)

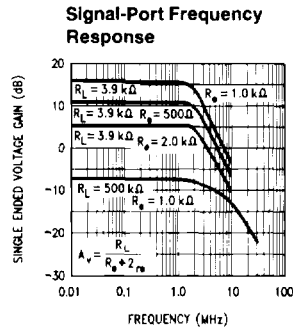
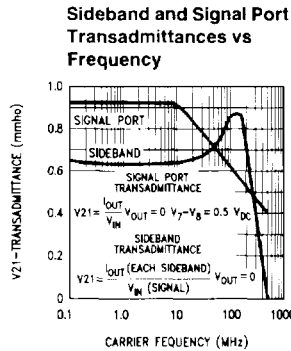
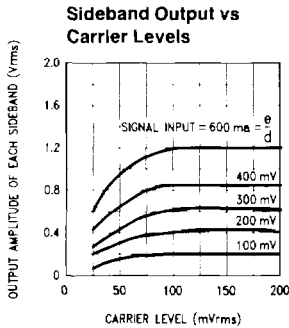
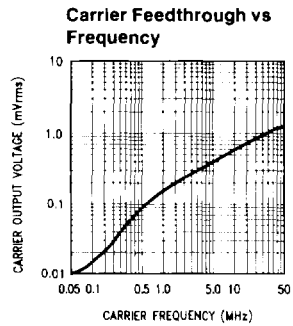
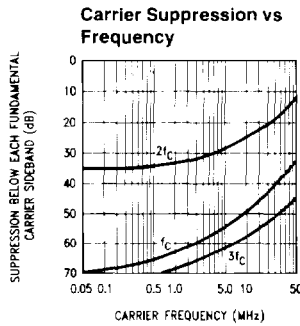
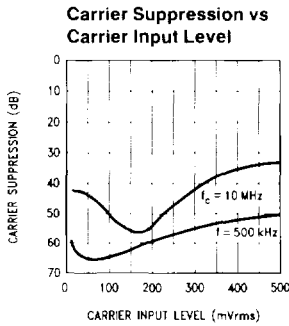
Parameter	Conditions	LM1596			LM1496			Units
		Min	Typ	Max	Min	Typ	Max	
Signal Port Common Mode Input Voltage Range	$f_S = 1.0 \text{ kHz}$		5.0			5.0		V_{p-p}
Signal Port Common Mode Rejection Ratio	$V_7 = V_8 = 0.5 \text{ Vdc}$		-85			85		dB
Common Mode Quiescent Output Voltage			8.0			8.0		Vdc
Differential Output Swing Capability			8.0			8.0		V_{p-p}
Positive Supply Current	$(I_{I6} + I_{I9})$		2.0	3.0		2.0	3.0	mA
Negative Supply Current	(I_{I10})		3.0	4.0		3.0	4.0	mA
Power Dissipation			33			33		mW

Note 1: LM1596 rating applies to case temperatures to $+125^\circ\text{C}$; derate linearly at $6.5 \text{ mW}/^\circ\text{C}$ for ambient temperature above 75°C . LM1496 rating applies to case temperatures to $+70^\circ\text{C}$.

Note 2: Voltage applied between pins 6-7, 8-1, 9-7, 9-8, 7-4, 7-1, 8-4, 6-8, 2-5, 3-5

Note 3: Refer to rets1596x drawing for specifications of military LM1596H versions

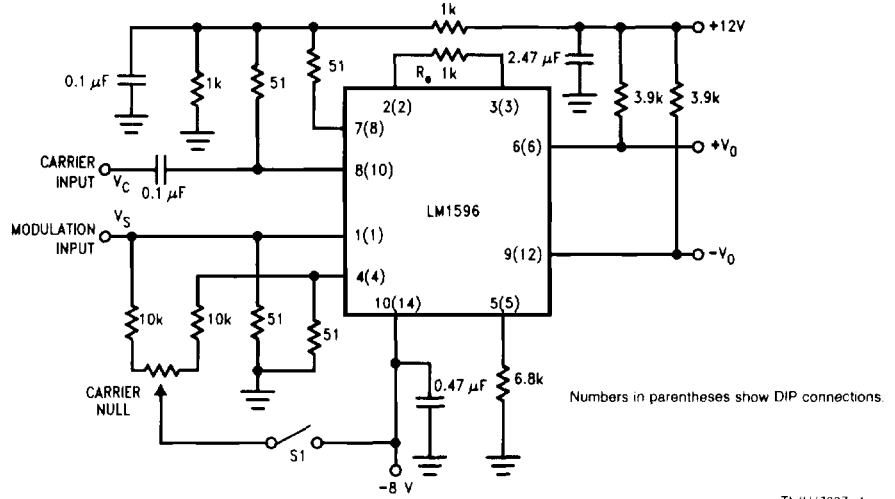
Typical Performance Characteristics



TL/H/7887-5

Typical Application and Test Circuit

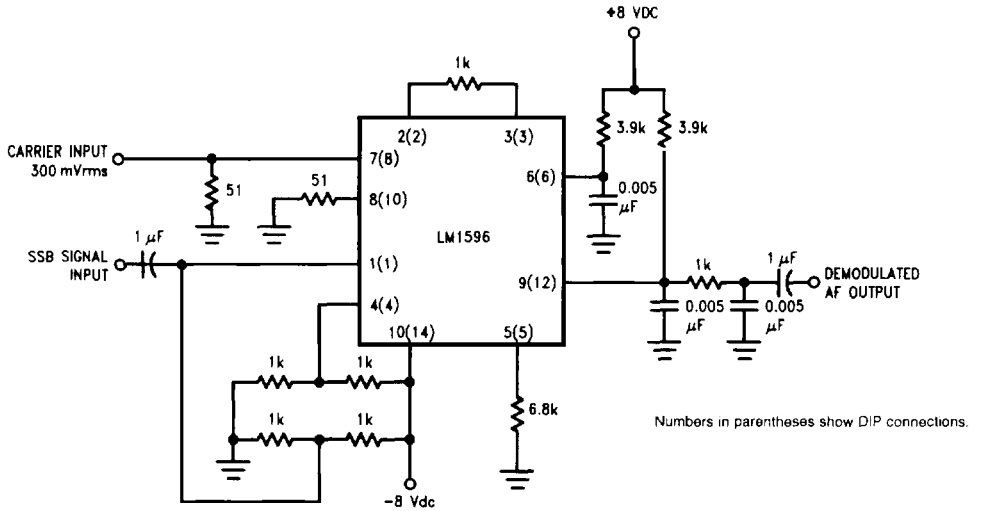
Suppressed Carrier Modulator



Note: S₁ is closed for "adjusted" measurements

TL/H/7887-4

SSB Product Detector

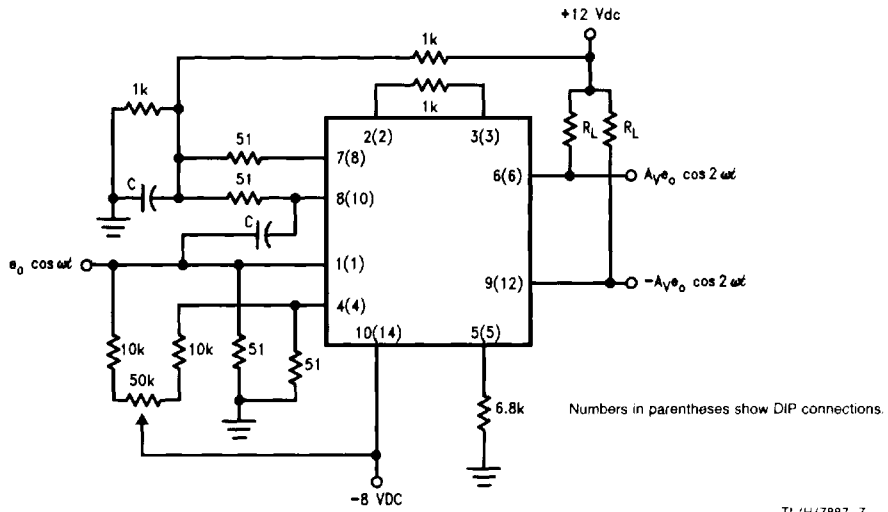


TL/H/7887-6

This figure shows the LM1596 used as a single sideband (SSB) suppressed carrier demodulator (product detector). The carrier signal is applied to the carrier input port with sufficient amplitude for switching operation. A carrier input level of 300 mVrms is optimum. The composite SSB signal is applied to the signal input port with an amplitude of 5.0 to 500 mVrms. All output signal components except the desired demodulated audio are filtered out, so that an offset adjustment is not required. This circuit may also be used as an AM detector by applying composite and carrier signals in the same manner as described for product detector operation.

Typical Applications (Continued)

Broadband Frequency Doubler



The frequency doubler circuit shown will double low-level signals with low distortion. The value of C should be chosen for low reactance at the operating frequency. Signal level at the carrier input must be less than 25 mV peak to maintain operation in the linear region of the switching differential amplifier. Levels to 50 mV peak may be used with some distortion of the output waveform. If a larger input signal is available a resistive divider may be used at the carrier input, with full signal applied to the signal input.