



Click to see this datasheet
in Simplified Chinese!



12-Bit Serializer Deserializer with Multiple Frequency Ranges

Features

- Low Power Consumption
- Low Power, Proprietary, CTL™ I/O Serial Interface
- Wide PLL Input Frequency Range
- Wide Parallel Supply Voltage Range: 1.65 to 3.6V
- Low Power Core Operation: $V_{DDSA}=2.5$ to 3.6V
- Built-in LV-CMOS Voltage Translation Capability with no External Components
- Adjustable Parallel Edge Rate
- Operates as Serializer or Deserializer
- Standby Power-Down Mode Support
- Built-in Differential Termination

Applications

- 8-Bit LCD Displays for Cell Phones
- 8/10-Bit Cell Phone Camera Interface
- 8-Bit LCD Displays for Printers

Related Application Notes

- *AN-5058 μSerDes™ Family Frequently Asked Questions*
- *AN-5061 μSerDes™ Layout Guidelines*

Ordering Information

| Order Number | Operating Temperature Range | Package Description | Packing Method |
|--------------|-----------------------------|---|----------------|
| FIN212ACMLX | -30 to 70°C | 32-Terminal Molded Leadless Package (MLP), Quad, JEDEC MO-220, 5mm Square | Tape & Reel |
| FIN212ACGFX | -30 to 70°C | 42-Ball Ultra Small-Scale Ball Grid Array (USS-BGA), JEDEC MO-195, 3.5 x 4.5mm Wide, 0.5mm Ball Pitch | Tape & Reel |
| FIN212ACBFX | -30 to 70°C | 36-Ball Ultra Small Scale Ball Grid Array (USS-BGA), 2.5mm Square, 0.4mm Ball Pitch (Preliminary) | Tape & Reel |



All standard Fairchild Semiconductor products are RoHS compliant and many are also "GREEN" or going green. For Fairchild's definition of "green" please visit: http://www.fairchildsemi.com/company/green/rohs_green.html

Description

The FIN212AC μSerDes™ is a low-power serializer / deserializer optimized for use in cell phone displays and camera paths. The device reduces a 12-bit data path to four wires. The device can be configured as a serializer or deserializer through the DIRI pin, minimizing component types in the system. For camera applications, an additional master clock can be passed in the opposite direction of data flow.

The device utilizes Fairchild's proprietary ultra-low power, low-EMI technology. LV-CMOS parallel output buffers have been implemented with slew rate control to adjust for capacitive loading and to minimize EMI. The device also supports an ultra-low power-down mode for conserving power in battery-operated applications.

The device is available in a 5x5mm MLP package to attach directly to a flex circuit, or in two choices of BGA, where space constraints are a concern.

μSerDes™ FIN212AC — 12-Bit Serializer Deserializer with Multiple Frequency Ranges

Pin Definitions

| Pin | I/O type | # of Pins | Description of Signals |
|---|----------|-----------|---|
| DP[1:12] | CMOS-I/O | 12 | LV-CMOS Parallel I/O. Direction controlled by DIRI pin. |
| CKREF | CMOS-IN | 1 | LV-CMOS clock input and PLL reference. |
| STROBE | CMOS-IN | 1 | LV-CMOS strobe input for latching data into the serializer. |
| CKP | CMOS-OUT | 1 | LV-CMOS word clock output. |
| DSO+(DSI-) ⁽¹⁾ DSO-(DSI+) | DIFF-I/O | 2 | CTL Differential serial I/O data signals. ⁽²⁾ DS(I)+: Positive signal of DS(I) pair; DS(I)-: Negative signal of DS(I) pair. |
| CKSI+, CKSI- | DIFF-IN | 2 | CTL Differential deserializer input bit clock. CKSI+: Positive signal of CKSI pair; CKSI-: Negative signal of CKSI pair. |
| CKSO+, CKSO- | DIFF-OUT | 2 | CTL Differential serializer output bit clock. CKSO+: Positive signal of CKSO pair; CKSO-: Negative signal of CKSO pair. |
| S0, S1 | CMOS-IN | 1 | DIRI=1: signals are used to define frequency range for the PLL. DIRI=0: Signals are used to define the edge rate of the deserializer parallel I/Os. |
| PLL0(PWS0) | CMOS-IN | 1 | DIRI=1: PLL0 signal is used to divide or adjust the serial frequency. DIRI=0: PWS0 signal is used to set the width of the CKP output pulse. |
| PLL1(PWS1) | CMOS-IN | 1 | DIRI=1: PLL1 Signal is used to divide the serial frequency. DIRI=0: PWS1 pin controls the output pulse width. |
| TEST / (XTRM) | CMOS_IN | 1 | DIRI=1: TEST=0, Normal Operation. DIRI=0: Termination enable functionality for deserializer. XTRM=0 Internal termination. XTRM=1 External termination required. Ground this pin for serializer. |
| CTL_ADJ (GND) | CMOS_IN | 1 | Adjusts CTL drive for serializer. Ground this pin for deserializer. |
| DIRI | IN | 1 | LV-CMOS Control Input. Used to control direction of data flow: DIRI= "1" Serializer, DIRI="0" Deserializer |
| /DIRO | OUT | 1 | LV-CMOS Output. Inversion of DIRI in normal operation mode. |
| VDDP | Supply | 1 | Power supply for parallel I/O and translation circuitry. |
| VDDS | Supply | 1 | Power supply for core and serial I/O. |
| VDDA | Supply | 1 | Power supply for analog PLL circuitry. |
| GND | Supply | 0 | Ground center pad, ground D4, E3 and NCs for 42-ball BGA. Ground B5, C2, C4 for 36-ball BGA. |

Notes:

1. () Indicate deserializer functionality when DIRI=0.
2. The DS serial port pins are arranged such that when one device is rotated 180 degrees from the other device, the serial connections properly align without the need for any traces or cable signals to cross. Other layout orientations may require that traces or cables cross.
3. All unused LV-CMOS input signals should be connected to GND or VDDP. Signals can be connected directly to the rail or through a resistor.
4. All unused LV-CMOS output signals should be allowed to float.

Pin Configurations

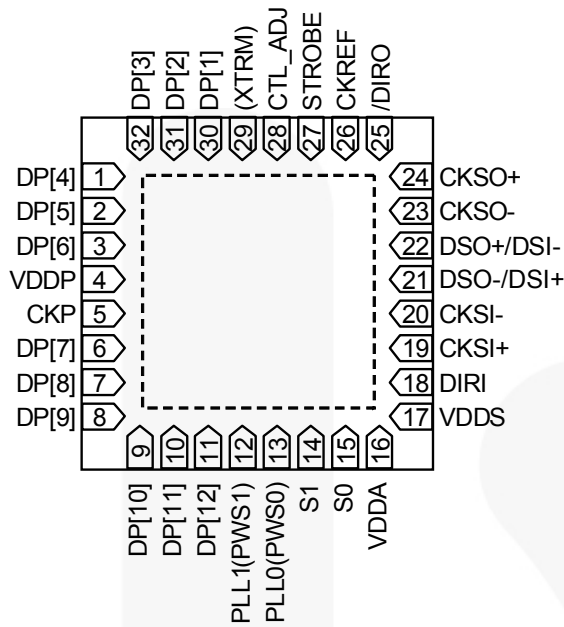
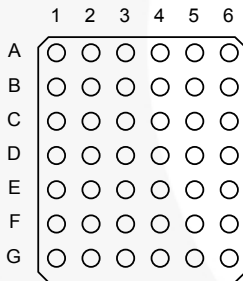
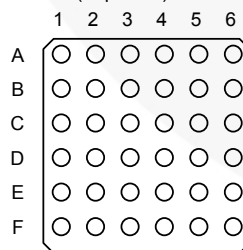


Figure 1. Pin Assignments for 32-Pin MLP (5x5mm, .5mm Pitch, Top View)



| | 1 | 2 | 3 | 4 | 5 | 6 |
|---|------|------|------------|------------|-----------|-----------|
| A | DP4 | DP2 | XTRM | CTL_ADJ | n/c | CKREF |
| B | DP6 | DP5 | DP1 | n/c | STROBE | /DIRO |
| C | CKP | N/C | DP3 | n/c | CKSO+ | CKSO- |
| D | N/C | DP7 | VDDP | GND | DSO-/DSI+ | DS0+/DSI- |
| E | DP8 | DP9 | GND | VDDDS | CKSI+ | CKSI- |
| F | DP10 | DP11 | n/c | VDDA | n/c | DIRI |
| G | DP12 | n/c | PLL1(PWS1) | PLL0(PWS0) | S1 | S0 |

Figure 2. Pin Assignments for 42 BGA (3.5x4.5mm, .5mm Pitch, Top View)



| | 1 | 2 | 3 | 4 | 5 | 6 |
|---|------|------|------------|---------|-----------|-----------|
| A | DP4 | DP2 | DP1 | (XTRM) | STROBE | CKREF |
| B | DP6 | DP5 | DP3 | CTL_ADJ | GND | /DIRO |
| C | CKP | GND | VDDP | GND | CKSO+ | CKSO- |
| D | DP7 | DP8 | GND | VDDDS | DSO-/DSI+ | DS0+/DSI- |
| E | DP9 | DP10 | PLL1(PWS1) | S0 | CKSI+ | CKSI- |
| F | DP11 | DP12 | PLL0(PWS0) | S1 | VDDA | DIRI |

Figure 3. Pin Assignments for 36 BGA (2.5x2.5mm, .4mm Pitch) Preliminary

Control Logic Circuitry

| Mode | PLL0 | PLL1 | S1 | S0 | DIRI | Description |
|------|------|------|----|----|------|--|
| 0 | X | X | 0 | 0 | X | Power-Down Mode |
| 1 | 1 | 0 | 0 | 1 | 1 | 12-Bit Serializer, Standard Clocking, 20MHz to 40MHz CKREF |
| 1 | 0 | 0 | 0 | 1 | 1 | 12-Bit Serializer, Over-Clocked PLL, 19MHz to 38.2MHz CKREF |
| 1 | X | X | 0 | 1 | 0 | 12-Bit Deserializer |
| 2 | 1 | 0 | 1 | 0 | 1 | 12-Bit Serializer, Standard Clocking, 5MHz to 14MHz CKREF |
| 2 | 0 | 0 | 1 | 0 | 1 | 12-Bit Serializer, Over-Clocked PLL, 4.7MHz to 13.3MHz CKREF |
| 2 | X | X | 1 | 0 | 0 | 12-Bit Deserializer |
| 3 | 1 | 0 | 1 | 1 | 1 | 12-Bit Serializer, Standard Clocking, 8MHz to 28MHz CKREF |
| 3 | 0 | 0 | 1 | 1 | 1 | 12-Bit Serializer, Over-Clocked PLL, 9.5MHz to 26.7MHz CKREF |
| 3 | X | X | 1 | 1 | 0 | 12-Bit Deserializer |

Table 1. Control Logic Circuitry

[DIRI] Direction Logic: The FIN212 can be configured as a 12-bit serializer or deserializer based on the state of the DIRI signal. When DIRI is 1, the device is a serializer. When DIRI is 0, the device is a deserializer. The /DIRO signal is an inversion of the DIRI signal. The /DIRO signal of the master can be used to drive the DIRI signal of the slave in applications where the interface needs to be turned around.

[S0, S1] Mode Select: The mode select signals, S1 and S0, are used for different purposes when the device is a serializer or a deserializer. For the serializer, the pins need to be set to the correct value of the input CKREF Frequency range.

For the deserializer the signals are used to select an edge rate value. The fastest edge rates correspond to the highest frequency mode. This relationship is maintained for all modes.

| Mode # | DIRI=0 | | Frequency Range |
|--------|--------|----|-----------------|
| | S1 | S0 | |
| 0 | 0 | 0 | Power-Down |
| 1 | 0 | 1 | FAST |
| 2 | 1 | 0 | SLOW |
| 3 | 1 | 1 | MEDIUM |

Table 2. Deserializer Edge Rates

[PLL0, PLL1] PLL Frequency Select Signals: The PLL1 and PLL0 signals provide additional flexibility in generating the serial clock frequency. The PLLn signals only function when the device is a serializer (DIRI=1). When the device is a slave, these pins are used for pulse width adjustment.

Over-clocking mode is used when the input reference clock has been implemented with significant spread spectrum. Over-clocking allows the serializer to tolerate a large amount of CKREF frequency spread.

No-Divide mode should be used for standard 8-bit pixel interface where the STROBE and CKREF frequencies are identical.

Divide-by-2 and Divide-by-3 modes are useful in microcontroller interfaces where the CKREF frequency is significantly higher than the required STROBE frequency.

| DIRI=1 | | Serializer Frequency Multiplier | |
|--------|------|---------------------------------|---------------|
| PLL1 | PLL0 | | |
| 0 | 0 | 7.3x | Over-clocking |
| 0 | 1 | 7x | No Divide |
| 1 | 0 | 3.5x | Divide by 2 |
| 1 | 1 | 2.3x | Divide by 3 |

Table 3. Frequency Multipliers

Internal STROBE Filter: When the PLL starts, the STROBE signal is internally held off until the PLL is locked. This prevents any spurious data from being passed through the device.

[PWS0, PWS1] Pulse Width Adjust Circuitry: The word clock strobe output (CKP) pulse width can be adjusted through the PWS0 and PWS1 signals. The signals can be used to lengthen the width of the LOW pulse or invert the pulse in RGB applications with a 50% duty cycle.

| DIRI=0 | | Low Time (Bits) No Divide | Polarity (CKP Read Edge) |
|--------|------|---------------------------|--------------------------|
| PWS1 | PWS0 | | |
| 0 | 0 | 7 | LH |
| 0 | 1 | 7 | HL |
| 1 | 0 | 13 | LH |
| 1 | 1 | 17 | LH |

Table 4. Pulse Width Adjust Circuitry at Serial CLK Period

Power-Down Functionality: When both S1 and S0 signals are 0, regardless of the state of the DIRI signal, the FIN212AC resets and powers down. The power-down mode shuts down all internal analog circuitry, disables the serial input and output of the device, and resets all internal digital logic. Table 5 indicates the state of the output buffers in Power-Down mode.

| Signal Pins | DIRI=1 | DIRI=0 |
|-------------|-----------------|----------------|
| DP[10:1] | Inputs Disabled | Outputs HIGH-Z |
| DP[12:11] | Inputs Disabled | Outputs HIGH-Z |
| CKP | HIGH | Outputs HIGH-Z |
| STROBE | Input Disabled | Input Disabled |
| CKREF | Input Disabled | Input Disabled |
| /DIRO | 0 | 1 |

Table 5. Output States

When an input is disabled, it does not draw current, regardless of the state or level of the input signal.

All of the LV-CMOS inputs must remain driven during power-down to ensure a low-power state

Turn-Around Functionality: The device passes and inverts the DIRI signal asynchronously to the /DIRO signal. Care must be taken by the system designer to ensure that no contention occurs between the deserializer outputs and the other devices on this port. Optimally the peripheral device driving the serializer should be put into a HIGH-impedance state prior to the DIRI signal being asserted. When a device with dedicated data outputs turns from a deserializer to a serializer, the dedicated outputs remain at the last logical value asserted. This value only changes if the device is once again turned around into a deserializer and the values are overwritten.

Strobe Pass-Through Mode: For some applications, it is desirable to pass a word clock across a differential signal pair in the opposite direction of serialization. The FIN212 supports this mode of operation. The following describes how to enable this functionality for an images sensor (see Figure 5).

Deserializer Configuration (DIRI=0)

1. Connect CKREF(BGA pin A6) to GROUND
2. Connect master clock to STROBE (BGA pin B5)

Serializer Configuration (DIRI=1)

1. CKSI passes master clock to CKP output (BGA pin C1)

[CTL_ADJ] CTL Drive Adjustment: The drive characteristics of the CTL I/O can be adjusted through the CTL_ADJ pin. Standard-level CTL drive is provided when the CTL_ADJ pin is zero. High- level drive is provided when CTL_ADJ pin is HIGH. High-drive should be used in noisy environments or when driving cables longer than 20cm. When in high-drive mode, CTL drive increases by approximately by 50%.

| CTL_ADJ | Description |
|---------|--------------------|
| 0 | Standard CTL Drive |
| 1 | High CTL Drive |

Table 6. CTL_ADJ Functionality

[XTRM] Test / XTRM Mode Functionality: For the deserializer, the (XTRM) signal can be used to enable or disable the internal termination resistor on the CKS and DS signals of the deserializer. When the internal termination is disabled, an external termination resistor is required for the CTL I/O to operate properly.

| (XTRM) | DIRI=0 (/XTRM) |
|--------|----------------------|
| 0 | Internal Termination |
| 1 | External Termination |

Table 7. (XTRM) Functionality

Serializer Operation Mode (DIRI=1)

The serializer configurations are described in the following sections. The basic serialization circuitry works similarly in all modes, but the actual data and clock streams differ if the frequency of CKREF is the same as or greater than the STROBE frequency. When CKREF equals STROBE, the CKREF and STROBE signals are physically connected together and are one signal. When CKREF does not equal STROBE, each signal is distinct and CKREF must be running at a frequency high enough to avoid any loss of data condition. CKREF must never be a lower frequency than STROBE. For proper serialization, the PLL should be stable and locked prior to sending valid data. For the following modes, refer to Table 1.

MODE 1,2,3; PLL1=0, PLL0=1; CKREF Equals STROBE

This mode is typically used when sending pixel data at a constant rate. Data is captured on the rising edge of the STROBE signal and serialized. The serial CLK frequency is exactly seven times the clock frequency. For example, a CKREF frequency of 10MHz results in a serial CLK frequency of 70MHz and a data transfer rate of 140Mbps. The serialized data stream is synchronized and sent source synchronously with a bit clock.

MODE 1,2,3; PLL1=0, PLL0=1; CKREF Does Not Equal STROBE

For microcontroller interfaces, a reference clock at the same frequency as the strobe is typically not available. Data transfers are typically not synchronous. To accommodate this type of transfer, a reference clock of a higher frequency than the fastest strobe frequency must

be provided to the CKREF signal. The CKREF clock signal must be continuously running for as long as data is being transferred. The actual serial transfer rate is dependent on the CKREF and the parallel transfer rate depends on the STROBE frequency. A data value of zero is sent when no valid data is present in the serial bit stream. The operation of the serializer otherwise remains the same. The exact frequency that the reference clock needs to run is dependent upon the stability of the CKREF and STROBE signal. If the source of the CKREF signal implements spread spectrum technology, the minimum frequency of this spread spectrum clock should be used in calculating the ratio of STROBE frequency to the CKREF frequency. Similarly if the STROBE signal has significant cycle-to-cycle variation, the maximum cycle-to-cycle time needs to be factored into the selection of the CKREF frequency. A STROBE frequency of 7MHz and a CKREF of 11MHz results in serial CLK frequency seven times the CKREF (77MHz) and a data transfer rate of 154Mbps.

MODES (1,2,3); PLL1=1,PLL0=0 (Divide-by-2) or PLL1=1,PLL0=1 (Divide-by-3)

For some microcontroller applications, the available reference frequency is significantly faster than the STROBE frequency required for the application. To more closely match the serial frequency with the strobe, the reference frequency can be divided by two or three. The serializer works identically to when CKREF is not equal to STROBE. Refer to the Deserializer Operation Mode section below for details.

Deserializer Operation Mode

The operation of the deserializer is dependent upon the data received on the DSI data signal pair and the CKSI clock signal pair. The following sections describe the operation of the deserializer under two distinct serializer source conditions. References to the CKREF and STROBE signals refer to the signals associated with the serializer device used to generate the serial data and clock signals. When operating in this mode, the internal serializer circuitry is disabled, including the parallel data input buffers. If there is a CKREF signal provided, the CKSO serial clock continues to transmit bit clocks.

DIRI = 0; Serializer Source: CKREF Equals STROBE
When the DIRI signal is asserted LOW, the device is configured as a deserializer. Data is captured on the

serial port and deserialized through a bit clock sent with the data. The falling edge of CKP occurs coincident with the parallel data transition.

DIRI=0; Serializer Source: CKREF Does Not Equal STROBE

The logical operation of the deserializer remains the same whether CKREF is equal in frequency to STROBE or at a higher frequency than STROBE. The duty cycle of CKP varies based on the ratio of the frequency of the CKREF signal to the STROBE signal. The average frequency of the CKP signal is equal to the STROBE frequency. The falling edge of CKP is coincident with data transition. The LOW time of the CKP signal is set by the state of the PWS1 and PWS0 signals.

Pulse Width Calculations

Pulse Width Low $T_{pwl} = (\text{divOut} * \text{Pwidth}) / (\text{CKREF} * 14)$

To meet minimum pulse width specification, $\text{divOut} * \text{Pwidth} \geq T_{pwl} * (\text{CKREF} * 14)$.

Bit times based on PWS0, PWS1 (Pwidth = 7, 13, 17), divide by divOut = 0.954, 1, 2, 3.

Example: $T_{pwl} = 60\text{ns}$ $\text{CKREF} = 26\text{MHz}$

$\text{CKP Pulsewidth} = (2 * 13) / (26\text{MHz} * 14)$

if $\text{DivOut} = 2$, $\text{Pwidth} = 13$ $\text{bitTimes} = 26$. $T_{pwl} = 71.4\text{ns}$

| Serializer Setup | | Deserializer Setup | | PLL DivOut | Pwidth | CKP-PWL Bit Times | CKREF Frequency | |
|------------------|------|--------------------|------|---------------|--------|----------------------|-----------------|-------|
| PLL1 | PLL0 | PWS1 | PWS0 | | | | 19.2MHz | 26Mhz |
| 0 | 0 | 0 | 0 | 0.954 | 7 | 6.7 | 24.8 | 18.3 |
| 0 | 0 | 0 | 1 | 0.954 | 7 | 6.7 | 24.8 | 18.3 |
| 0 | 0 | 1 | 0 | 0.954 | 13 | 12.4 | 46.1 | 34.1 |
| 0 | 0 | 1 | 1 | 0.954 | 17 | 16.2 | 60.3 | 44.6 |
| 0 | 1 | 0 | 0 | 1 | 7 | 7 | 26.0 | 19.2 |
| 0 | 1 | 0 | 1 | 1 | 7 | 7 | 26.0 | 19.2 |
| 0 | 1 | 1 | 0 | 1 | 13 | 13 | 48.4 | 35.7 |
| 0 | 1 | 1 | 1 | 1 | 17 | 17 | 63.2 | 46.7 |
| 1 | 0 | 0 | 0 | 2 | 7 | 14 | 52.1 | 38.5 |
| 1 | 0 | 0 | 1 | 2 | 7 | 14 | 52.1 | 38.5 |
| 1 | 0 | 1 | 0 | 2 | 13 | 26 | 96.7 | 71.4 |
| 1 | 0 | 1 | 1 | 2 | 17 | 34 | 126.5 | 93.4 |
| 1 | 1 | 0 | 0 | 3 | 7 | 21 | 78.1 | 57.7 |
| 1 | 1 | 0 | 1 | 3 | 7 | 21 | 78.1 | 57.7 |
| 1 | 1 | 1 | 0 | 3 | 13 | 39 | 145.1 | 107.1 |
| 1 | 1 | 1 | 1 | 3 | 17 | 51 | 189.7 | 140.1 |

Table 8. CKP Pulse Widths (in nanoseconds) for Standard Cell Phone Operating Frequencies⁽⁵⁾

Note:

5. CKP Pwidth assumes minimal slew rate at the 50% transition point.

Application Diagrams

The following application diagrams illustrate the most typical applications for the FIN212 device. Specific configurations of the control pins may vary based on the needs of a given system. The following recommendations are valid for all of the applications shown.

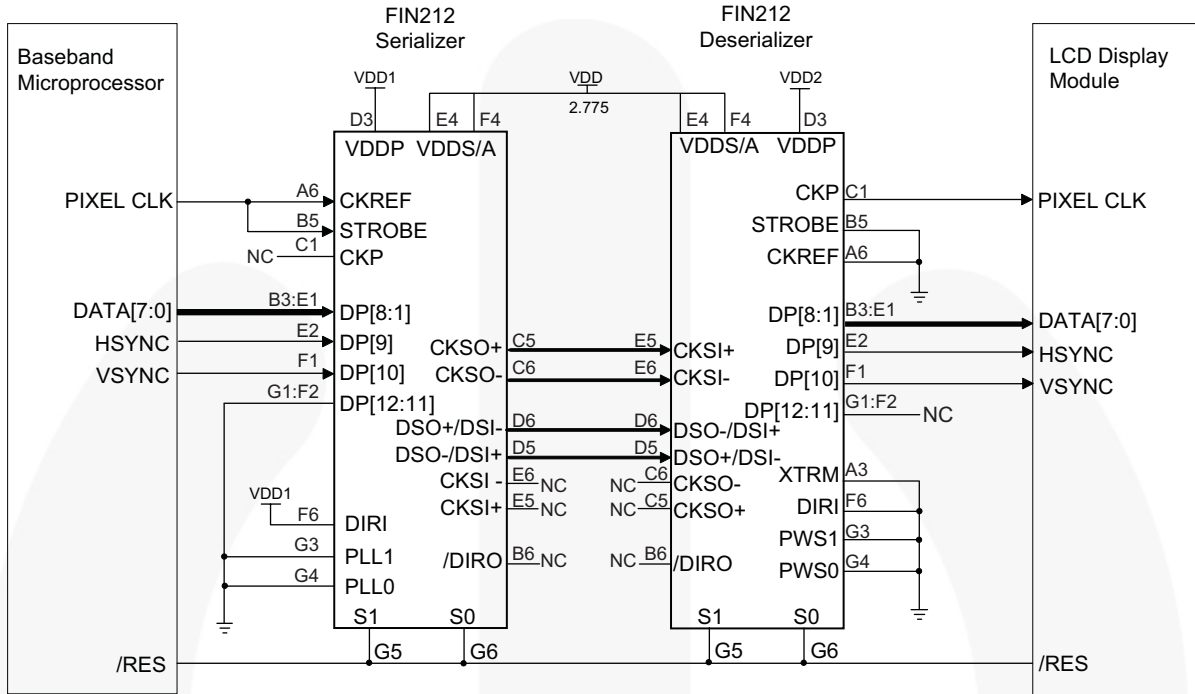


Figure 4. 8-Bit RGB Application (Example Shows BGA 42-Pin Package)

Serializer Configuration:

- PLL Frequency Mode: MODE 3 (S1=S0=1) 10-30MHz Frequency Range
- PLL Divide Mode: Over-Clocked Mode (PLL1=PLL0=0); 7.3 Serial Frequency Multiplier

Deserializer Configuration:

- Edge Rate Mode: Medium MODE 3 (S1=S0=1)
- Pulse Width Mode: Standard Non-Inverting, (PWS1=PWS0=0) Pulse Width; 3.5 x Serial CLK Period
- Pixel CLK is used to STROBE Display
- Pin number for BGA packages

Application Diagrams (Continued)

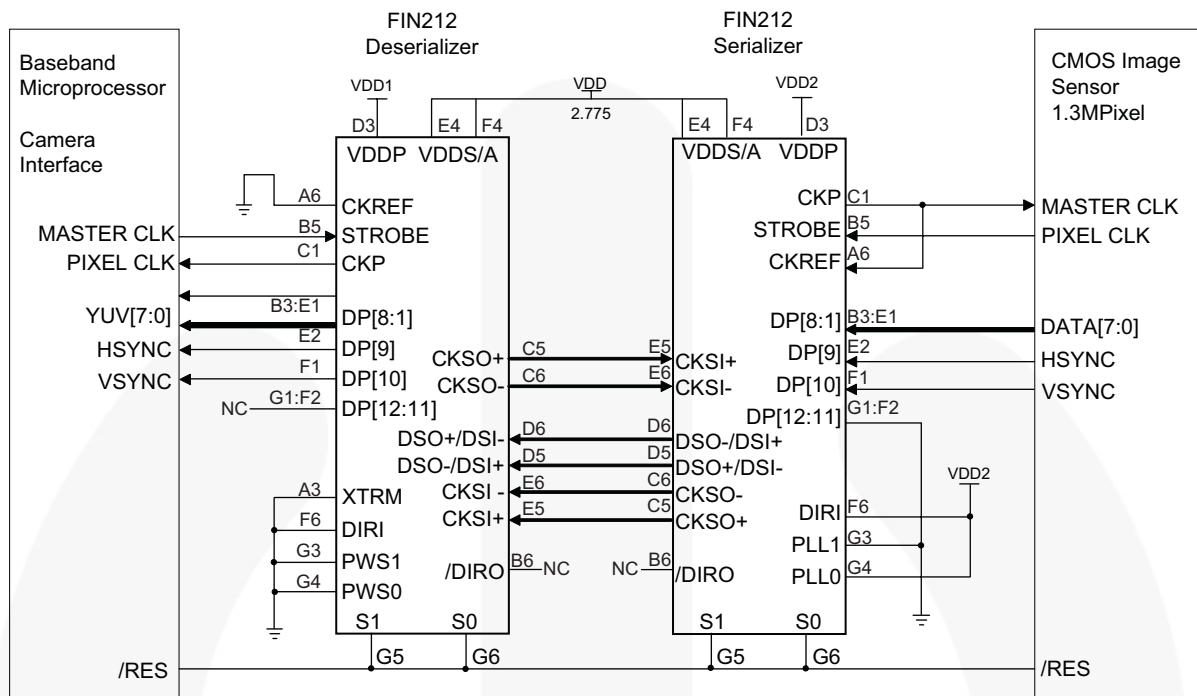


Figure 5. 8-Bit YUV 1.3MPixel CMOS Imager (Example Shows BGA 42-Pin Package)

Serializer Configuration:

- PLL Frequency Mode: MODE 3 (S1=S0=1) 10-30MHz Frequency Range
- PLL Divide Mode: Standard Not Over-Clocked (PLL1=0, PLL0=1) Multiplier 7x
- Master Clock Bypass Mode: (clock passes from CKSI to CKP, see the Strobe Pass-through Mode section)

Deserializer Configuration:

- Edge Rate Mode: Fast MODE 1 (S1=0, S0=1)
- Pulse Width Mode: Standard Non-Inverting, (PWS1=PWS0=0) Pulse Width; 3.5 x Serial CLK Period
- Master Clock Bypass Mode: Clock passes from STROBE to CKSO

Application Diagrams (Continued)

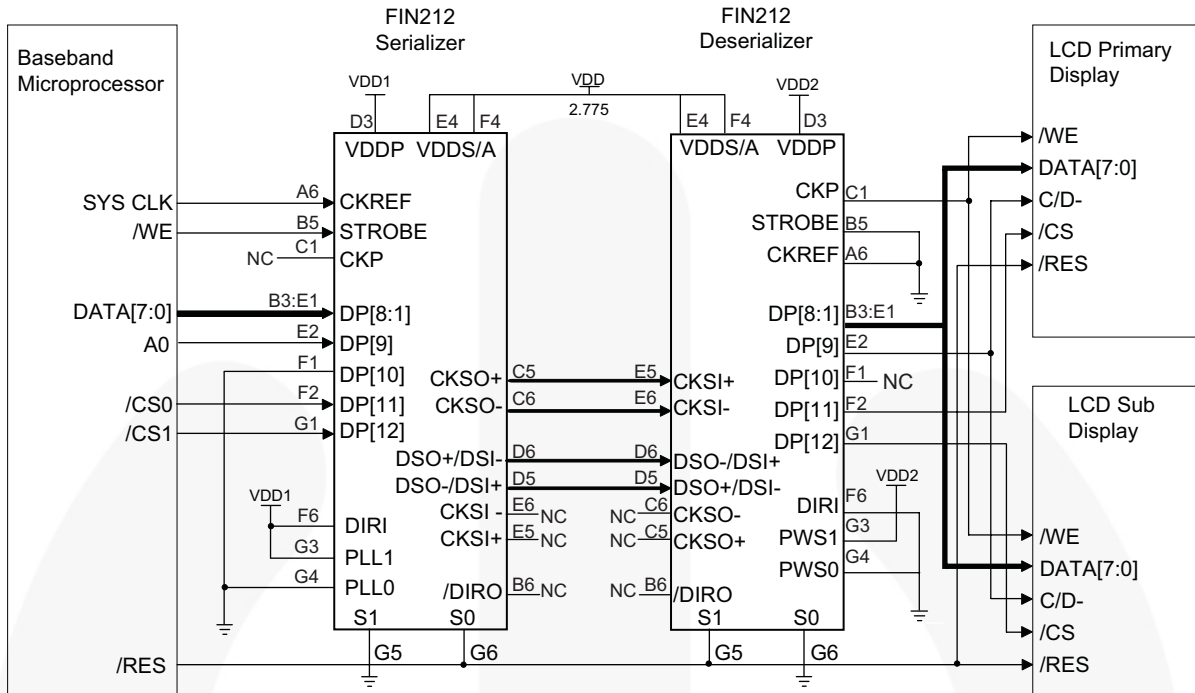


Figure 6. Dual Display with 8-Bit WRITE-Only Microcontroller Interface (Example Shows BGA 42-Pin Package)

Serializer Configuration:

- PLL Frequency Mode: MODE 1 (S1=0, S0=1) CKREF=26MHz
- STROBE Frequency = 10 MHz
- PLL Divide Mode: Divide-by 2 (PLL1=1, PLL0=0) Multiplier x 3.5

Deserializer Configuration:

- Edge Rate Mode: SLOW MODE 1 (S1=1, S0=0)
- Pulse Width Mode: 13-Bit Time Mode (PWS1=PWS0=0) (~71.4ns)

Additional Application Information

Flex Cabling: The serial I/O information is transmitted at a high serial rate. Care must be taken implementing this serial I/O flex cable. The following best practices should be used when developing the flex cabling or Flex PCB.

- Keep all four differential Serial Wires the same length.
- Do not allow noisy signals over or near differential serial wires.
Example: No LVCMOS traces over differential serial wires.
- Use only one ground plane or wire over the differential serial wires. Do not run ground over top and bottom.
- Design goal of 100-ohms differential characteristic impedance.
- Do not place test points on differential serial wires.
- Use differential serial wires a minimum of 2cm away from the antenna.
- For additional applications notes or flex guidelines see your sales rep or contact Fairchild directly.

Absolute Maximum Ratings

Stresses exceeding the absolute maximum ratings may damage the device. The device may not function or be operable above the recommended operating conditions and stressing the parts to these levels is not recommended. In addition, extended exposure to stresses above the recommended operating conditions may affect device reliability. The absolute maximum ratings are stress ratings only.

| Symbol | Parameter | Min. | Max. | Unit |
|-----------|--|------------|--------------|------|
| V_{DD} | Supply Voltage | -0.5V | +4.6 | V |
| | All Input/Output Voltage | -0.5 | $V_{DD}+0.5$ | V |
| | CTL Output Short-Circuit Duration | Continuous | | |
| T_{STG} | Storage Temperature Range | -65 | +150 | °C |
| T_J | Maximum Junction Temperature | +150 | | °C |
| T_L | Lead Temperature (Soldering, four seconds) | +260 | | °C |
| ESD | Human Body Model, JESD22-A114, Serial I/O Pins | | 14 | kV |
| | Human Body Model, JESD22-A114, All Pins | | 8 | kV |
| | Charged Device Model, JESD22-C101 | | 2 | kV |

Recommended Operating Conditions

The Recommended Operating Conditions table defines the conditions for actual device operation. Recommended operating conditions are specified to ensure optimal performance to the datasheet specifications. Fairchild does not recommend exceeding them or designing to Absolute Maximum Ratings.

| Symbol | Parameter | Min. | Max. | Unit |
|--------------------|-----------------------|------|------|------------------|
| V_{DDA}, V_{DDS} | Supply Voltage | 2.5 | 3.6 | V |
| V_{DDP} | Supply Voltage | 1.65 | 3.60 | V |
| T_A | Operating Temperature | -30 | +70 | °C |
| V_{DDA-PP} | Supply Noise Voltage | 100 | | mV _{PP} |

DC Electrical Characteristics

Values are provided for over-supply voltage and operating temperature ranges, unless otherwise specified.

| Symbol | Parameter | Test Conditions | Min. | Typ. ⁽⁶⁾ | Max. | Unit |
|-------------------------|--|---|-----------------------|---------------------|-----------------------|------|
| LVC MOS I/O | | | | | | |
| V _{IH} | Input High Voltage | | 0.65xV _{DDP} | | V _{DDP} | |
| V _{IL} | Input Low Voltage | | GND | | 0.35xV _{DDP} | V |
| V _{OH} | Output High Voltage | I _{OH} =-2.0mA, S1=0,S0=1 | 0.75xV _{DDP} | | V _{DDP} | V |
| | | I _{OH} =-0.4mA, S1=1,S0=0 | | | | |
| | | I _{OH} =-1.0mA, S1=1,S0=1 | | | | |
| V _{OL} | Output Low Voltage | I _{OL} =2.0mA, S1=0,S0=1 | 0 | | 0.25xV _{DDP} | V |
| | | I _{OL} =0.4mA, S1=1,S0=0 | | | | |
| | | I _{OL} =1.0mA, S1=1,S0=1 | | | | |
| I _{IN} | Input Current | V _{IN} = 0V to 3.6V | -5.0 | | 5.0 | µA |
| DIFFERENTIAL I/O | | | | | | |
| I _{ODH} | Output HIGH Source Current | V _{OS} =1.0V | CTL_ADJ=0 | | -2.0 | mA |
| | | | CTL_ADJ=1 | | -3.4 | |
| I _{ODL} | Output LOW Sink Current | V _{OS} =1.0V | CTL_ADJ=0 | | 1.2 | mA |
| | | | CTL_ADJ=1 | | 2.0 | |
| V _{GO} | Input Voltage Ground Offset ⁽⁷⁾ | | | 0 | | V |
| R _{TRM} | CKS Internal Receiver Termination Resistor | V _{ID} = 50mV, V _{IC} = 925mV, DIRI = 0 | 80 | 100 | 120 | Ω |
| | DS Internal Receiver Termination Resistor | V _{ID} =50mV, V _{IC} = 925mV, DIRI = 0 | 80 | 100 | 120 | Ω |

Notes:

- Typical values are given for V_{DD}=2.775V and T_A=25 °C. Positive current values refer to the current flowing into the device and negative values refer to the current flowing out of pins. Voltages are referenced to GROUND unless otherwise specified (except ΔV_{OD} and V_{OD}).
- V_{GO} is the difference in device ground levels between the CTL driver and the CTL receiver.

Power Supply Currents

| Symbol | Parameter | Test Conditions | Min. | Typ. | Max. | Unit | |
|----------------|---|--|--------------|-------|------|------|----|
| I_{DD_PD} | V _{DD} Power-Down Supply Current $I_{DD_PD} = I_{DDA} + I_{DDS} + I_{DDP}$ | S1 = S0 = 0, All Inputs at GND or VDD | | 0.1 | | µA | |
| I_{DD_SER1} | Dynamic Serializer Power Supply Current $I_{DD_SER1} = I_{DDA} + I_{DDS} + I_{DDP}$ | $f_{CKREF} = f_{STRB}$, PLL1=0, PLL0=1; CTL_ADJ=0; C _L = 0pF | S1=L S0=H | 20MHz | 13.0 | | mA |
| | | | | 40MHz | 19.0 | | mA |
| | | | S1=H S0=L | 5MHz | 9.5 | | mA |
| | | | | 14MHz | 17.0 | | mA |
| I_{DD_DES1} | Dynamic Deserializer Power Supply Current $I_{DD_DES1} = I_{DDA} + I_{DDS} + I_{DDP}$ | $f_{CKREF} = f_{STRB}$, PLL1=0, PLL0=1; CTL_ADJ=0; C _L = 0pF | S1=L S0=H | 20MHz | 10.0 | | mA |
| | | | | 40MHz | 14.0 | | mA |
| | | | S1=H S0=L | 5MHz | 8.0 | | mA |
| | | | | 14MHz | 9.0 | | mA |
| I_{DD_DES1} | Dynamic Deserializer Power Supply Current $I_{DD_DES1} = I_{DDA} + I_{DDS} + I_{DDP}$ | $f_{CKREF} = f_{STRB}$, PLL1=0, PLL0=1; CTL_ADJ=0; C _L = 0pF | S1=H S0=H | 8MHz | 9.0 | | mA |
| | | | | 28MHz | 12.0 | | mA |

AC Electrical Characteristics

Values are provided for over-supply voltage and operating temperature ranges, unless otherwise specified.

| Symbol | Parameter | Test Conditions | Min. | Typ. | Max. | Unit | |
|--|--|--|-----------------|------|------------------|-----------------|------------------|
| Serializer Input Operating Conditions | | | | | | | |
| f_{CKREF} | CKREF Clock Frequency (5MHz - >40MHz) | $f_{CKREF} = f_{STRB}$ | S1=0, S0=1 | 18 | | 40 | MHz |
| | | | S1=1, S0=0 | 5 | | 14 | |
| | | | S1=1, S0=1 | 10 | | 28 | |
| f_{STRB} | Strobe Frequency Relative to CKREF Frequency | $f_{CKREF} \neq f_{STRB}$ | PLL1=0, PLL0=0 | | | 100 | % of f_{CKREF} |
| | | | PLL1=0, PLL0=1 | | | 100 | |
| | | | PLL1=1, PLL0=0 | | | 50 | |
| | | | PLL1=1, PLL0=1 | | | $33\frac{1}{3}$ | |
| t_{CPWH} | CKREF DC | $T=1/f_{CKREF}$ | 0.2 | 0.5 | 0.8 | T | |
| t_{CPWL} | CKREF DC | $T=1/f_{CKREF}$ | 0.2 | 0.5 | 0.8 | T | |
| t_{CLKT} | LVC MOS Input Transition Time ⁽⁸⁾ | 10-90% | | | 20 | ns | |
| $t_{SPWH/L}$ | STROBE Pulse Width HIGH/LOW | $T=1/f_{CKREF}$ | $T \times 4/14$ | | $T \times 10/14$ | ns | |
| t_{STC} | DP _(n) Setup to STROBE | DIRI=1, f=5MHz Figure 7 | 2.5 | | | ns | |
| t_{HTC} | DP _(n) Hold to STROBE | | 2.0 | | | ns | |
| Serializer AC Electrical Characteristics | | | | | | | |
| t_{TCCD} | Transmitter Clock Input to Clock Output Delay ⁽⁹⁾ | DIRI=1, $f_{CKREF} = f_{STRB}$ Figure 9 | 21a+1.5 | | 23a+6.5 | ns | |
| Phase Lock Loop (PLL) AC Electrical Characteristics | | | | | | | |
| t_{TPLLS0} | Serializer PLL Stabilization Time | CKREF toggling and stable | 200 | | 600 | µs | |
| t_{TPLLD0} | PLL Disable Time Loss of Clock | | | | 30.0 | µs | |
| t_{TPLLD1} | PLL Power-Down Time | | | | 20.0 | ns | |

Notes:

8. Parameter is characterized, but not production tested.
9. The average bit time "a" is a function of the serializer CKREF frequency; $a=(1/f)/14$.

AC Electrical Characteristics (Continued)

Values are provided for over-supply and operating temperature ranges, unless otherwise specified.

| Symbol | Parameter | Test Conditions | | Min. | Typ. | Max. | Unit |
|---|---|---|-----------|------|-------|-------|------|
| Deserializer AC Electrical Characteristics | | | | | | | |
| t_{RCOL} | CKP OUT Low Time Figure 8 | | PWS1 | PWS0 | | | ns |
| | | $f_{STRB} = f_{CKREF}$ | 0 | 0 | 7a-3 | 7a+3 | |
| | | $f_{STRB} = f_{CKREF}$ | 0 | 1 | 7a-3 | 7a+3 | |
| | | $f_{STRB} = .5X f_{CKREF}$ | 1 | 0 | 13a-3 | 13a+3 | |
| | | $f_{STRB} = .5X f_{CKREF}$ | 1 | 1 | 17a-3 | 17a+3 | |
| t_{PDV} | Data Valid to CKP HIGH | (Rising Edge STROBE), $C_L=5pF$ Figure 8 | | 8a-3 | | 8a+3 | ns |
| t_{RFD} | Output Rise/Fall Time Data (20% to 80%) | $C_L=8pF$ | S1=0,S0=1 | | | 3.0 | ns |
| | | | S1=1,S0=0 | | | 8.0 | |
| | | | S1=1,S0=1 | | | 5.0 | |
| t_{RFC} | Output Rise/Fall Time CKP (20% to 80%) | $C_L=8pF$ | S1=0,S0=1 | | | 2.0 | ns |
| | | | S1=1,S0=0 | | | 7.0 | |
| | | | S1=1,S0=1 | | | 4.0 | |

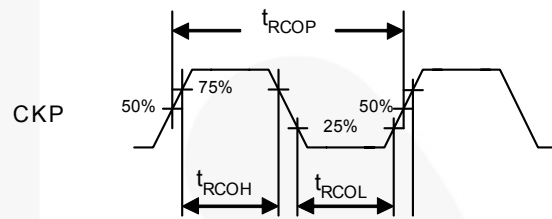
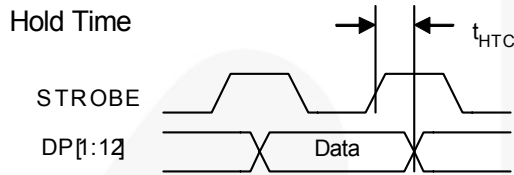
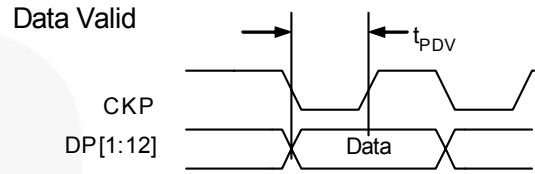
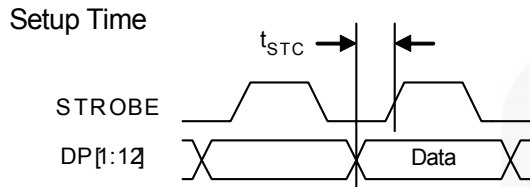
Logic Timing Controls

| Symbol | Parameter | Test Conditions | Min. | Typ. | Max. | Unit |
|------------------------------------|--|------------------------------|------|------|------|------|
| t_{PHL_DIR} , t_{PLH_DIR} | Propagation Delay DIRI to /DIRO | DIRI L->H or H->L | | | 17 | ns |
| t_{PLZ} , t_{PHZ} | Propagation Delay DIRI to DP | DIRI L->H or H->L | | | 25 | ns |
| t_{DISDES} | Deserializer Disable Time: S0 or S1 LOW to DP Tri-State | DIRI=0, Figure 10 | | | 25 | ns |
| t_{DISSER} | Serializer Disable Time: S0 or S1 LOW to CKP HIGH | DIRI=1; S1(0) and S0(1)=H->L | | | 25 | ns |

Pin Capacitance Tables

| Symbol | Parameter | Test Conditions | Min. | Typ. | Max. | Unit |
|---------------|---|-----------------------------------|------|------|------|------|
| C_{IN} | Capacitance of Input Only Signals | DIRI=1, S1=0, S0=0, $V_{DD}=2.5V$ | | 2.0 | | pF |
| C_{IO} | Capacitance of Parallel Port Pins DP[1:12] | DIRI=1, S1=0, S0=0, $V_{DD}=2.5V$ | | 2.0 | | pF |
| $C_{IO-DIFF}$ | Capacitance of Differential I/O Signals | DIRI=1, S1=0, S0=0, $V_{DD}=2.5V$ | | 2.0 | | pF |

Typical Performance Characteristics



Setup: MODE0="0" or "1", MODE1="1", SER/DES="1"

Setup: DIRI=0, CKSI and DS are valid signals.

Figure 7. Serializer Setup and Hold Time

Figure 8. Deserializer Data Valid Time and Clock Output Parameters

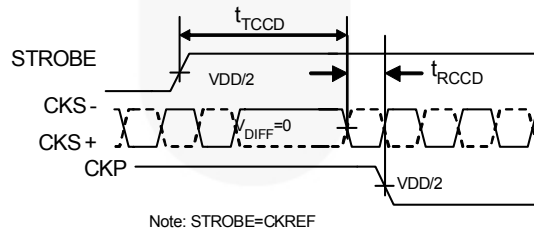
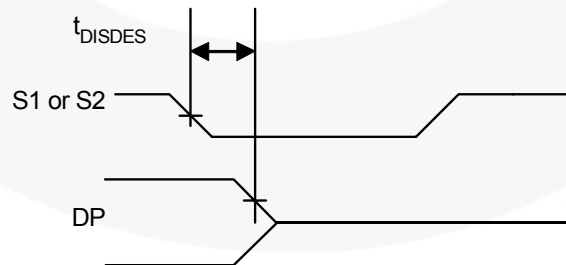


Figure 9. Clock Propagation Delay



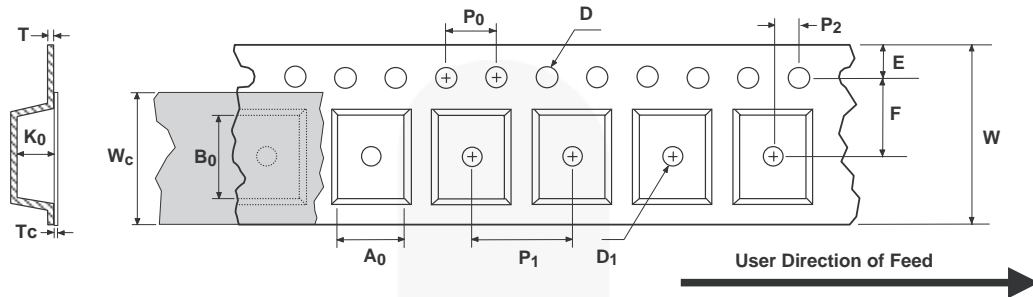
Note: If S1(2) is transitioning, S2(1) must =0 for test to be valid.

Figure 10. Deserializer Disable Timing

Tape and Reel Specifications

MLP Embossed Tape Dimensions

Dimensions are in millimeters unless otherwise noted.



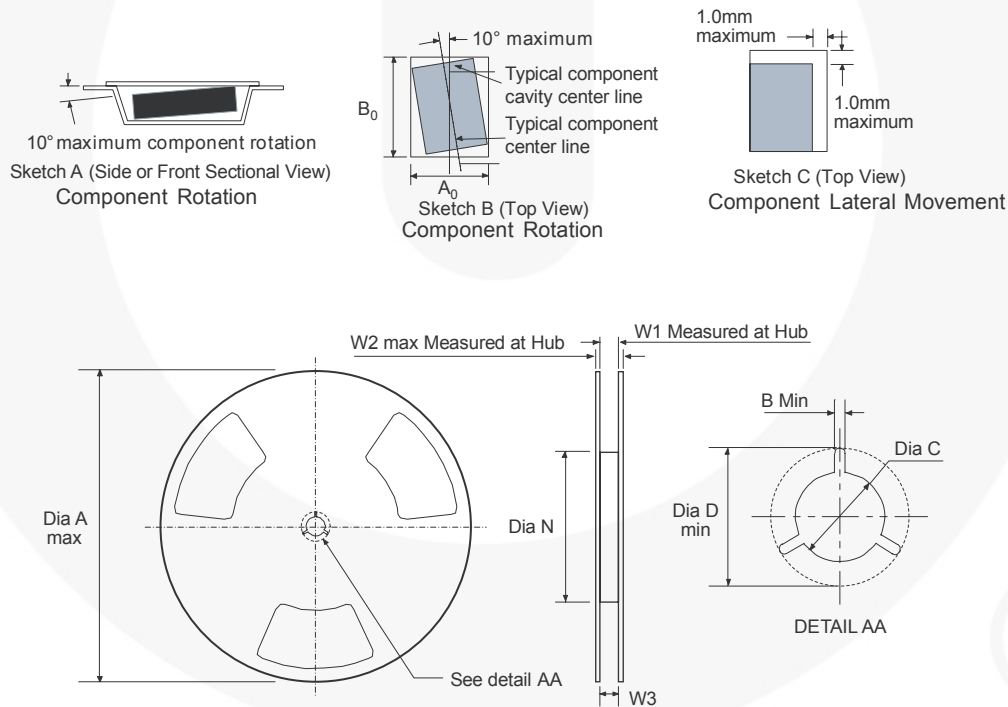
| Package | A ₀ ±0.1 | B ₀ ±0.1 | D ±0.5 | D ₁ Min. | E ±0.1 | F ±0.1 | K ₀ ±0.1 | P ₁ Typ. | P ₀ Typ. | P ₂ ±0.5 | T Typ. | T _c ±0/05 | W ±0.3 | W _c Typ. |
|---------|------------------------|------------------------|-----------|------------------------|-----------|-----------|------------------------|------------------------|------------------------|------------------------|-----------|-------------------------|-----------|------------------------|
| 5 x 5 | 5.35 | 5.35 | 1.55 | 1.50 | 1.75 | 5.50 | 1.40 | 8.00 | 4.00 | 2.00 | 0.30 | 0.07 | 12.00 | 9.30 |
| 6 x 6 | 5.35 | 5.35 | 1.55 | 1.50 | 1.75 | 5.50 | 1.40 | 8.00 | 4.00 | 2.00 | 0.30 | 0.07 | 12.00 | 9.30 |

Notes:

A₀, B₀, and K₀ dimensions are determined with respect to the EIA/JEDEC RS-481 rotational and lateral movement requirements (see sketches A, B, and C).

MLP Shipping Reel Dimensions

Dimensions are in millimeters unless otherwise noted.

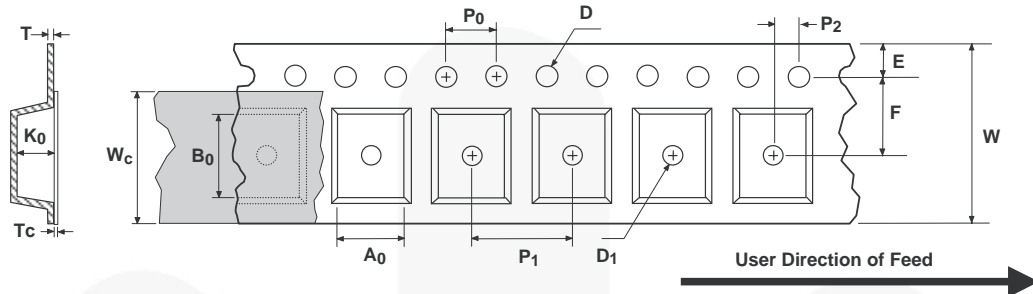


| Tape Width | Dia A Max. | Dim B Min. | Dia C +0.5/-0.2 | Dia D Min. | Dim N Min. | Dim W1 +2.0/-0 | Dim W2 | Dim W3 (LSL-USL) |
|------------|------------|------------|-----------------|------------|------------|----------------|--------|------------------|
| 8 | 330.0 | 1.5 | 13.0 | 20.2 | 178.0. | 8.4 | 14.4 | 7.9 ~ 10.4 |
| 12 | 330.0 | 1.5 | 13.0 | 20.2 | 178.0. | 12.4 | 18.4 | 11.9 ~ 15.4 |
| 16 | 330.0 | 1.5 | 13.0 | 20.2 | 178.0. | 16.4 | 22.4 | 15.9 ~ 19.4 |

Tape and Reel Specifications (Continued)

BGA Embossed Tape Dimensions

Dimensions are in millimeters unless otherwise noted.



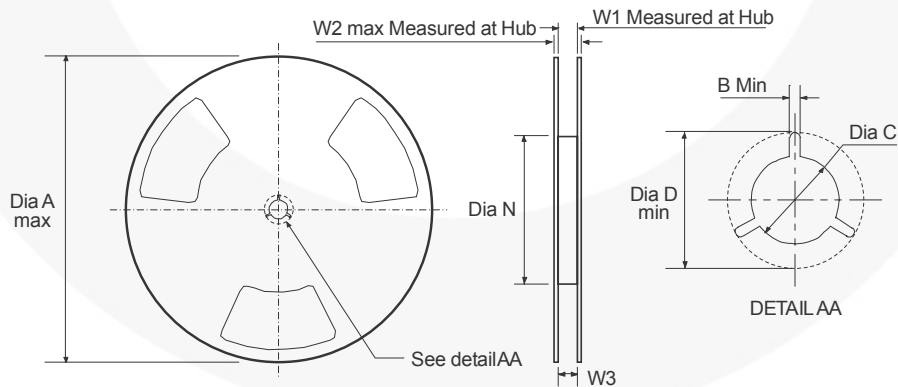
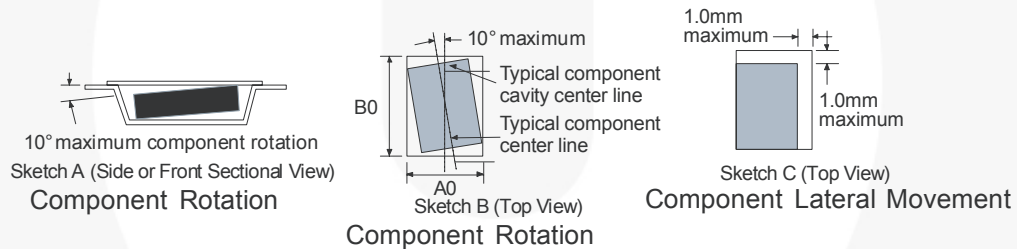
| Package | A ₀ ±0.1 | B ₀ ±0.1 | D ±0.5 | D ₁ Min. | E ±0.1 | F ±0.1 | K ₀ ±0.1 | P ₁ Typ. | P ₀ Typ. | P ₂ ±0.5 | T Typ. | T _c ±0/05 | W ±0.3 | W _c Typ. |
|-----------|------------------------|------------------------|-----------|------------------------|-----------|-----------|------------------------|------------------------|------------------------|------------------------|-----------|-------------------------|-----------|------------------------|
| 3.5 x 4.5 | 3.85 | 4.80 | 1.55 | 1.50 | 1.75 | 5.50 | 1.10 | 8.00 | 4.00 | 2.00 | 0.30 | 0.07 | 12.00 | 9.3 |

Notes:

A₀, B₀, and K₀ dimensions are determined with respect to the EIA/JEDEC RS-481 rotational and lateral movement requirements (see sketches A, B, and C).

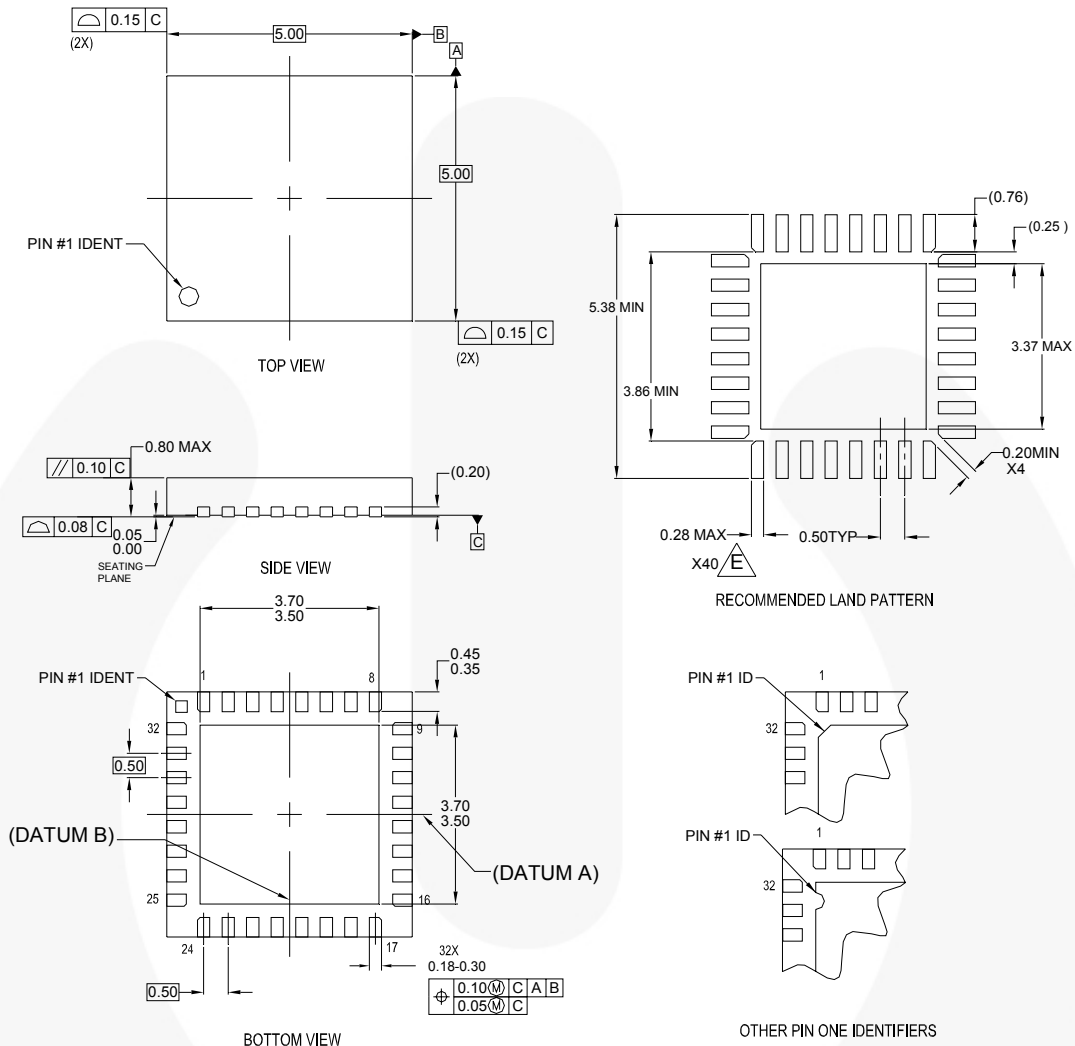
BGA Shipping Reel Dimensions

Dimensions are in millimeters unless otherwise noted.



| Tape Width | Dia A Max. | Dim B Min. | Dia C +0.5/-0.2 | Dia D Min. | Dim N Min. | Dim W1 +2.0/-0 | Dim W2 | Dim W3 (LSL-USL) |
|------------|------------|------------|-----------------|------------|------------|----------------|--------|------------------|
| 8 | 330.0 | 1.5 | 13.0 | 20.2 | 178.0. | 8.4 | 14.4 | 7.9 ~ 10.4 |
| 12 | 330.0 | 1.5 | 13.0 | 20.2 | 178.0. | 12.4 | 18.4 | 11.9 ~ 15.4 |
| 16 | 330.0 | 1.5 | 13.0 | 20.2 | 178.0. | 16.4 | 22.4 | 15.9 ~ 19.4 |

Physical Dimensions



NOTES:

- A. CONFORMS TO JEDEC REGISTRATION MO-220, VARIATION WHHD-4. THIS PACKAGE IS ALSO FOOTPRINT COMPATIBLE WITH WHHD-5.
- B. DIMENSIONS ARE IN MILLIMETERS.
- C. DIMENSIONS AND TOLERANCES PER ASME Y14.5M-1994.
- D. LAND PATTERN PER IPC SM-782.
- E. WIDTH REDUCED TO AVOID SOLDER BRIDGING.
- F. DIMENSIONS ARE NOT INCLUSIVE OF BURRS, MOLD FLASH, OR TIE BAR PROTRUSIONS.
- G. DRAWING FILENAME: MKT-MLP32Arev3.

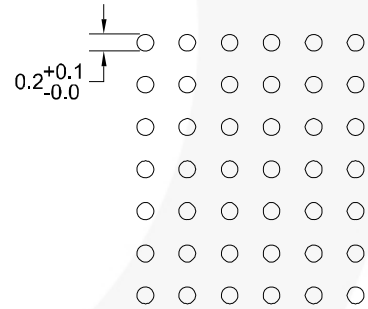
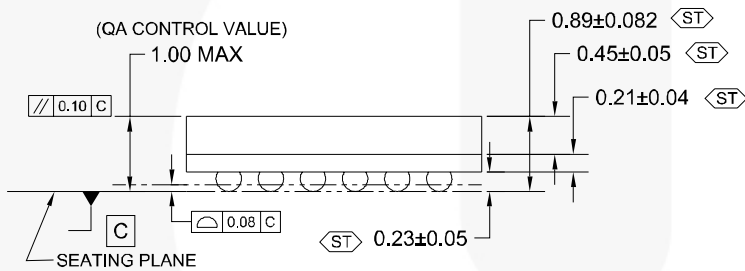
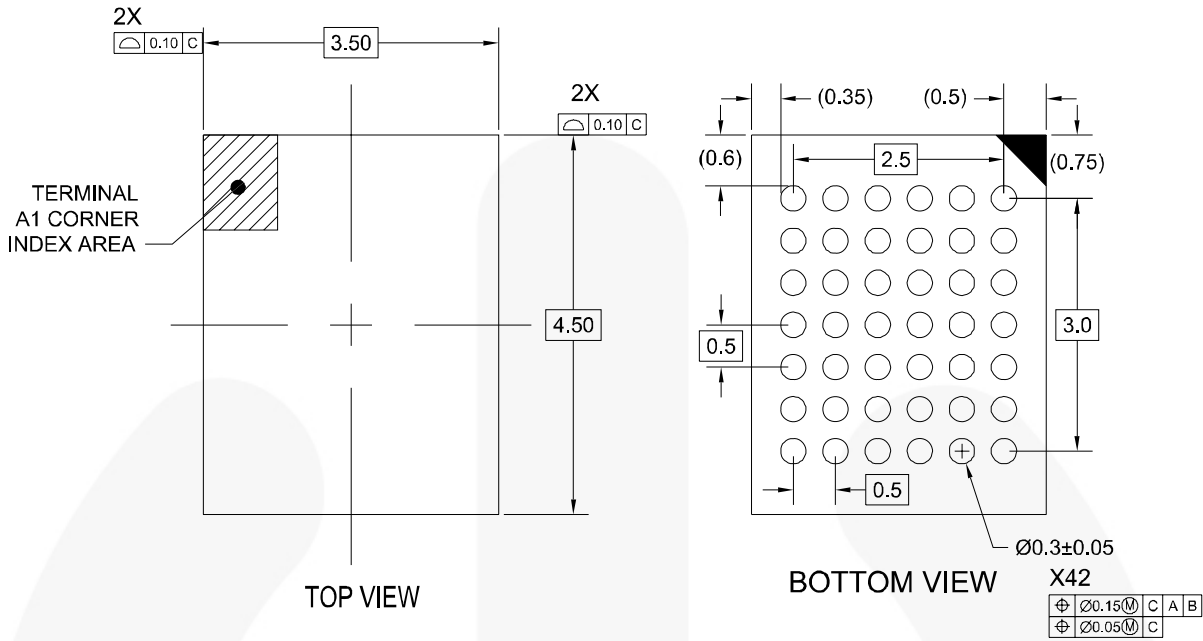
Figure 11. 32-Lead, Molded Leadless Package (MLP)

Package drawings are provided as a service to customers considering Fairchild components. Drawings may change in any manner without notice. Please note the revision and/or date on the drawing and contact a Fairchild Semiconductor representative to verify or obtain the most recent revision. Package specifications do not expand the terms of Fairchild's worldwide terms and conditions, specifically the warranty therein, which covers Fairchild products.

Always visit Fairchild Semiconductor's online packaging area for the most recent package drawings:

<http://www.fairchildsemi.com/packaging/>

Physical Dimensions (Continued)



NOTES:

- A. CONFORMS TO JEDEC REGISTRATION MO-195,
- B. DIMENSIONS ARE IN MILLIMETERS.
- C. DIMENSIONS AND TOLERANCES PER ASME Y14.5M, 1994
- D. STATISTICAL TOLERANCING FOR REFERENCE REFER TO MAX DIMENSION FOR QA INSPECTION
- E. LAND PATTERN RECOMMENDATION PER IPC-7351 TABLE 14-15
LAND PATTERN NAME PER TABLE 3-15: BGA50P+6X7-42

LAND PATTERN RECOMMENDATION

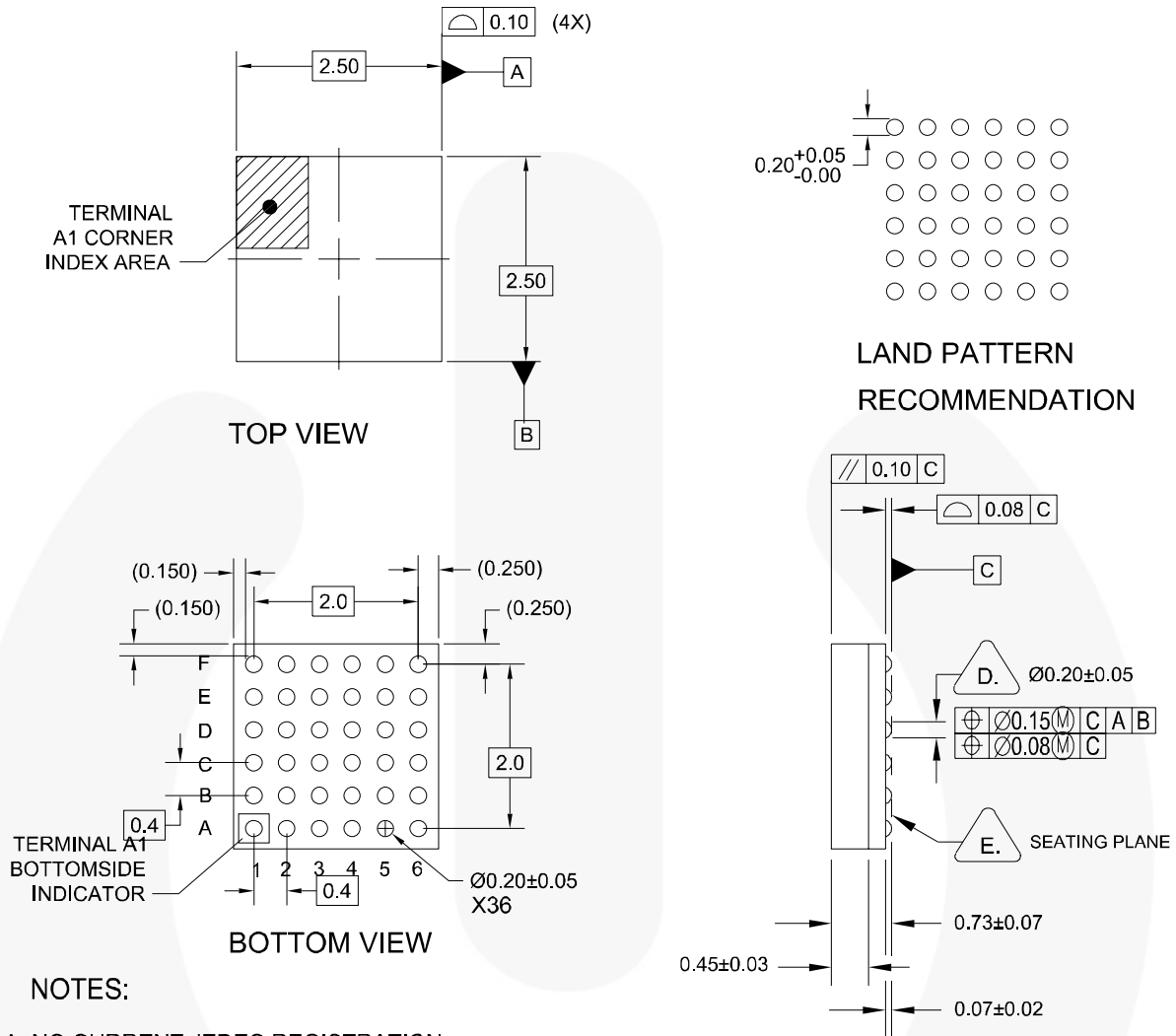
BGA42ArevB

Figure 12. 42-Ball, Ball Grid Array (BGA) Package

Package drawings are provided as a service to customers considering Fairchild components. Drawings may change in any manner without notice. Please note the revision and/or date on the drawing and contact a Fairchild Semiconductor representative to verify or obtain the most recent revision. Package specifications do not expand the terms of Fairchild's worldwide terms and conditions, specifically the warranty therein, which covers Fairchild products.

Always visit Fairchild Semiconductor's online packaging area for the most recent package drawings:
<http://www.fairchildsemi.com/packaging/>

Physical Dimensions (Continued)



NOTES:

- A. NO CURRENT JEDEC REGISTRATION
- B. DIMENSIONS ARE IN MILLIMETERS.
- C. DIMENSIONS AND TOLERANCES PER ASME Y14.5M, 1994
- D. DIMENSION IS MEASURED AT THE MAXIMUM SOLDER BUMP DIAMETER, PARALLEL TO PRIMARY DATUM C.
- E. PRIMARY DATUM C AND SEATING PLANE ARE DEFINED BY THE SPHERICAL CROWNS OF THE SOLDER BUMPS.
- F. LAND PATTERN RECOMENDATION PER IPC-7351 TABLE 14-15
LAND PATTERN NAME PER TABLE 3-15: BGA40P+6X7-42
- G. THE BASIC METAL LANDPATTERN GRID PITCH IS 0.40mm.
- H. THE DRAWING FILENAME AND REV IS BGA36rev3

BGA36Arev3

Figure 13. 36-Ball, Ball Grid Array (BGA) Package (Preliminary)

Package drawings are provided as a service to customers considering Fairchild components. Drawings may change in any manner without notice. Please note the revision and/or date on the drawing and contact a Fairchild Semiconductor representative to verify or obtain the most recent revision. Package specifications do not expand the terms of Fairchild's worldwide terms and conditions, specifically the warranty therein, which covers Fairchild products.

Always visit Fairchild Semiconductor's online packaging area for the most recent package drawings:
<http://www.fairchildsemi.com/packaging/>



TRADEMARKS

The following includes registered and unregistered trademarks and service marks, owned by Fairchild Semiconductor and/or its global subsidiaries, and is not intended to be an exhaustive list of all such trademarks.

- | | | | |
|---|--|---|---|
| ACEx [®] | FPS [™] | PDP SPM [™] | The Power Franchise [®] |
| Build it Now [™] | F-PFS [™] | Power-SPM [™] |  |
| CorePLUS [™] | FRFET [®] | PowerTrench [®] | TinyBoost [™] |
| CorePOWER [™] | Global Power Resource SM | Programmable Active Droop [™] | TinyBuck [™] |
| CROSSVOLT [™] | Green FPS [™] | QFET [®] | TinyLogic [®] |
| CTL [™] | Green FPS [™] e-Series [™] | QST [™] | TINYOPTO [™] |
| Current Transfer Logic [™] | GTO [™] | Quiet Series [™] | TinyPower [™] |
| EcoSPARK [®] | IntelliMAX [™] | RapidConfigure [™] | TinyPWM [™] |
| EfficientMax [™] | ISOPLANAR [™] | Saving our world, 1mW at a time [™] | TinyWire [™] |
| EZSWITCH [™] * | MegaBuck [™] | SmartMax [™] | µSerDes [™] |
|  | MICROCOUPLER [™] | SMART START [™] |  |
|  | MicroFET [™] | SPM [®] | UHC [®] |
| Fairchild [®] | MicroPak [™] | STEALTH [™] | Ultra FRFET [™] |
| Fairchild Semiconductor [®] | MillerDrive [™] | SuperFET [™] | UniFET [™] |
| FACT Quiet Series [™] | MotionMax [™] | SuperSOT [™] -3 | Vcx [™] |
| FACT [®] | Motion-SPM [™] | SuperSOT [™] -6 | VisualMax [™] |
| FAST [®] | OPTOLOGIC [®] | SuperSOT [™] -8 | |
| FastvCore [™] | OPTOPLANAR [®] | SupreMOS [™] | |
| FlashWriter [®] * | | SyncFET [™] | |
| | |  | |

* EZSWITCH[™] and FlashWriter[®] are trademarks of System General Corporation, used under license by Fairchild Semiconductor.

DISCLAIMER

FAIRCHILD SEMICONDUCTOR RESERVES THE RIGHT TO MAKE CHANGES WITHOUT FURTHER NOTICE TO ANY PRODUCTS HEREIN TO IMPROVE RELIABILITY, FUNCTION, OR DESIGN. FAIRCHILD DOES NOT ASSUME ANY LIABILITY ARISING OUT OF THE APPLICATION OR USE OF ANY PRODUCT OR CIRCUIT DESCRIBED HEREIN; NEITHER DOES IT CONVEY ANY LICENSE UNDER ITS PATENT RIGHTS, NOR THE RIGHTS OF OTHERS. THESE SPECIFICATIONS DO NOT EXPAND THE TERMS OF FAIRCHILD'S WORLDWIDE TERMS AND CONDITIONS, SPECIFICALLY THE WARRANTY THEREIN, WHICH COVERS THESE PRODUCTS.

LIFE SUPPORT POLICY

FAIRCHILD'S PRODUCTS ARE NOT AUTHORIZED FOR USE AS CRITICAL COMPONENTS IN LIFE SUPPORT DEVICES OR SYSTEMS WITHOUT THE EXPRESS WRITTEN APPROVAL OF FAIRCHILD SEMICONDUCTOR CORPORATION.

As used herein:

1. Life support devices or systems are devices or systems which, (a) are intended for surgical implant into the body or (b) support or sustain life, and (c) whose failure to perform when properly used in accordance with instructions for use provided in the labeling, can be reasonably expected to result in a significant injury of the user.
2. A critical component in any component of a life support, device, or system whose failure to perform can be reasonably expected to cause the failure of the life support device or system, or to affect its safety or effectiveness.

PRODUCT STATUS DEFINITIONS

Definition of Terms

| Datasheet Identification | Product Status | Definition |
|--------------------------|-----------------------|--|
| Advance Information | Formative / In Design | This datasheet contains the design specifications for product development. Specifications may change in any manner without notice. |
| Preliminary | First Production | This datasheet contains preliminary data; supplementary data will be published at a later date. Fairchild Semiconductor reserves the right to make changes at any time without notice to improve design. |
| No Identification Needed | Full Production | This datasheet contains final specifications. Fairchild Semiconductor reserves the right to make changes at any time without notice to improve the design. |
| Obsolete | Not In Production | This datasheet contains specifications on a product that is discontinued by Fairchild Semiconductor. The datasheet is for reference information only. |

Rev. I34