

**TIBPAL20L8-15C, TIBPAL20R4-15C, TIBPAL20R6-15C, TIBPAL20R8-15C**  
**TIBPAL20L8-20M, TIBPAL20R4-20M, TIBPAL20R6-20M, TIBPAL20R8-20M**  
**HIGH-PERFORMANCE IMPACT™ PAL® CIRCUITS**

SRPS021A – D2920, JUNE 1986 – REVISED DECEMBER 2010

- **High-Performance:  $f_{max}$  (w/o feedback)**  
TIBPAL20R' -15C Series . . . 45 MHz  
TIBPAL20R' -20M Series . . . 41.6 MHz
- **High-Performance . . . 45 MHz Min**
- **Reduced  $I_{CC}$  of 180 mA Max**
- **Functionally Equivalent, but Faster Than**  
**PAL20L8, PAL20R4, PAL20R6, PAL20R8**
- **Power-Up Clear on Registered Devices (All**  
**Register Outputs are Set Low, but Voltage**  
**Levels at the Output Pins Go High)**
- **Preload Capability on Output Registers**  
**Simplifies Testing**
- **Package Options Include Both Plastic and**  
**Ceramic Chip Carriers in Addition to Plastic**  
**and Ceramic DIPs**

DEVICE	I INPUTS	3-STATE O OUTPUTS	REGISTERED Q OUTPUTS	I/O PORT S
PAL20L8	14	2	0	6
PAL20R4	12	0	4 (3-state buffers)	4
PAL20R6	12	0	6 (3-state buffers)	2
PAL20R8	12	0	8 (3-state buffers)	0

**description**

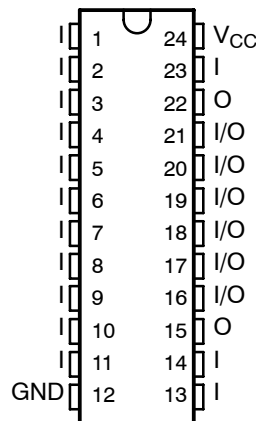
These programmable array logic devices feature high speed and functional equivalency when compared with currently available devices. These IMPACT™ circuits combine the latest Advanced Low-Power Schottky technology with proven titanium-tungsten fuses to provide reliable, high-performance substitutes for conventional TTL logic. Their easy programmability allows for quick design of custom functions and typically results in a more compact circuit board. In addition, chip carriers are available for further reduction in board space.

Extra circuitry has been provided to allow loading of each register asynchronously to either a high or low state. This feature simplifies testing because the registers can be set to an initial state prior to executing the test sequence.

The TIBPAL20' C series is characterized from 0°C to 75°C. The TIBPAL20' M series is characterized for operation over the full military temperature range of -55°C to 125°C.

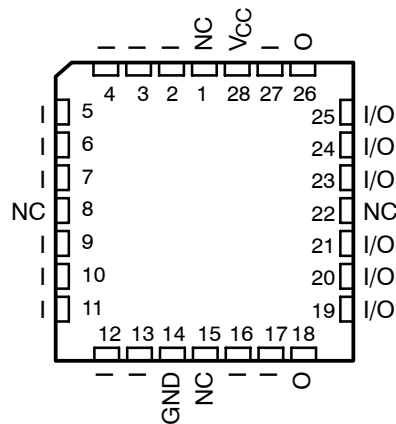
**TIBPAL20L8'**  
**C SUFFIX . . . JT OR NT PACKAGE**  
**M SUFFIX . . . JT OR W PACKAGE**

(TOP VIEW)



**TIBPAL20L8'**  
**C SUFFIX . . . FN PACKAGE**  
**M SUFFIX . . . FK PACKAGE**

(TOP VIEW)



NC – No internal connection  
Pin assignments in operating mode

IMPACT is a trademark of Texas Instruments Incorporated.  
PAL is a registered trademark of Advanced Micro Devices Inc.

PRODUCTION DATA information is current as of publication date.  
Products conform to specifications per the terms of Texas Instruments  
standard warranty. Production processing does not necessarily  
include testing of all parameters.



POST OFFICE BOX 655303 • DALLAS, TEXAS 75265

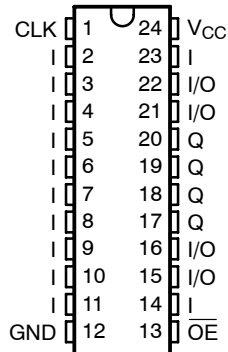
Copyright © 2010, Texas Instruments Incorporated

**TIBPAL20R4-15C, TIBPAL20R6-15C, TIBPAL20R8-15C**  
**TIBPAL20R4-20M, TIBPAL20R6-20M, TIBPAL20R8-20M**  
**HIGH-PERFORMANCE *IMPACT*™ PAL® CIRCUITS**

SRPS021A – D2920, JUNE 1986 – REVISED DECEMBER 2010

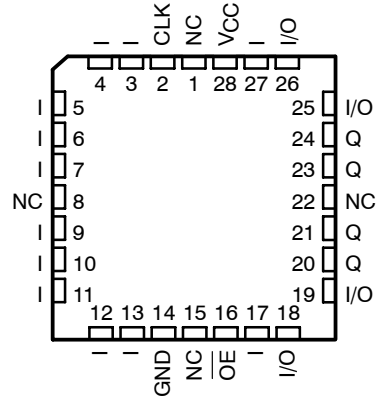
**TIBPAL20R4'**  
**C SUFFIX . . . JT OR NT PACKAGE**  
**M SUFFIX . . . JT OR W PACKAGE**

(TOP VIEW)



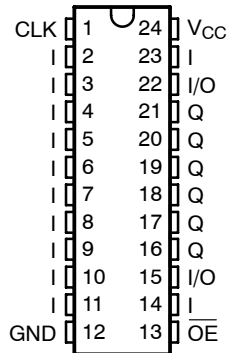
**TIBPAL20R4'**  
**C SUFFIX . . . FN PACKAGE**  
**M SUFFIX . . . FK PACKAGE**

(TOP VIEW)



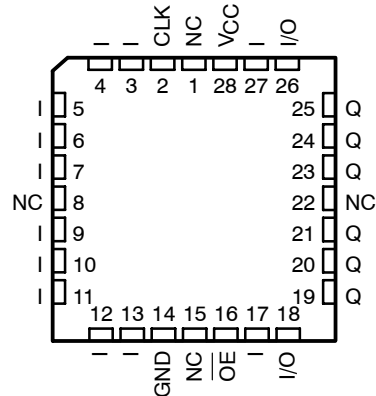
**TIBPAL20R6'**  
**C SUFFIX . . . JT OR NT PACKAGE**  
**M SUFFIX . . . JT OR W PACKAGE**

(TOP VIEW)



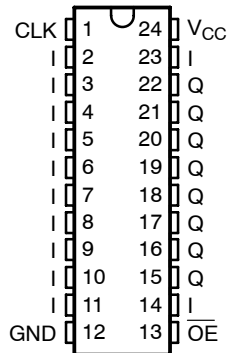
**TIBPAL20R6'**  
**C SUFFIX . . . FN PACKAGE**  
**M SUFFIX . . . FK PACKAGE**

(TOP VIEW)



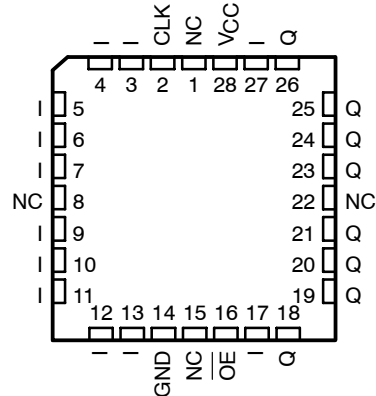
**TIBPAL20R8'**  
**C SUFFIX . . . JT OR NT PACKAGE**  
**M SUFFIX . . . JT OR W PACKAGE**

(TOP VIEW)



**TIBPAL20R8'**  
**C SUFFIX . . . FN PACKAGE**  
**M SUFFIX . . . FK PACKAGE**

(TOP VIEW)



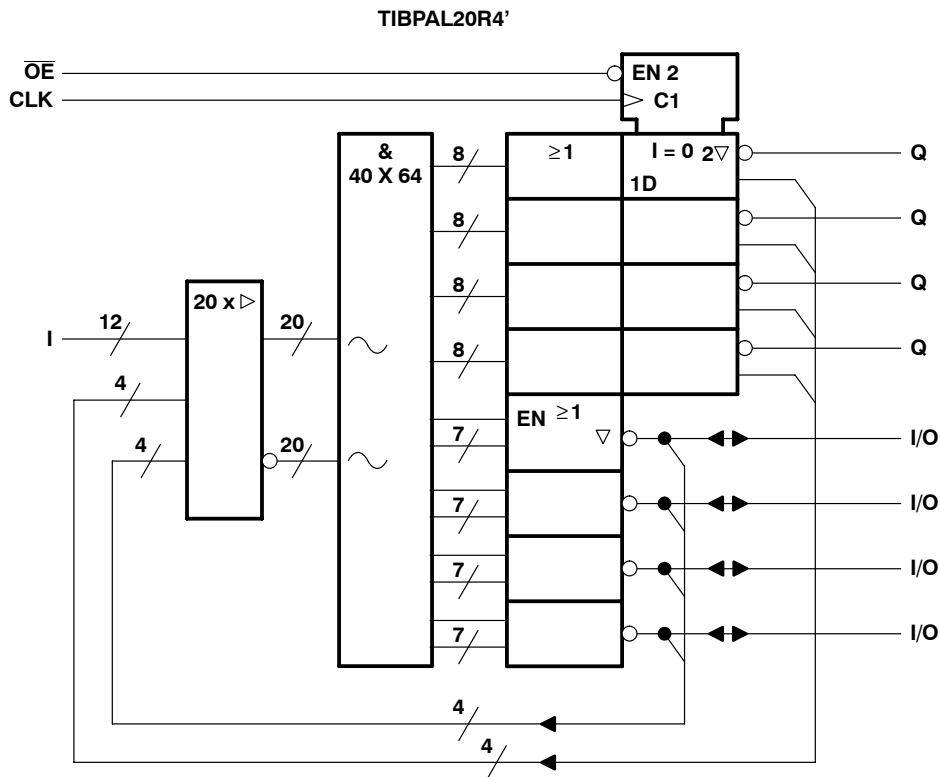
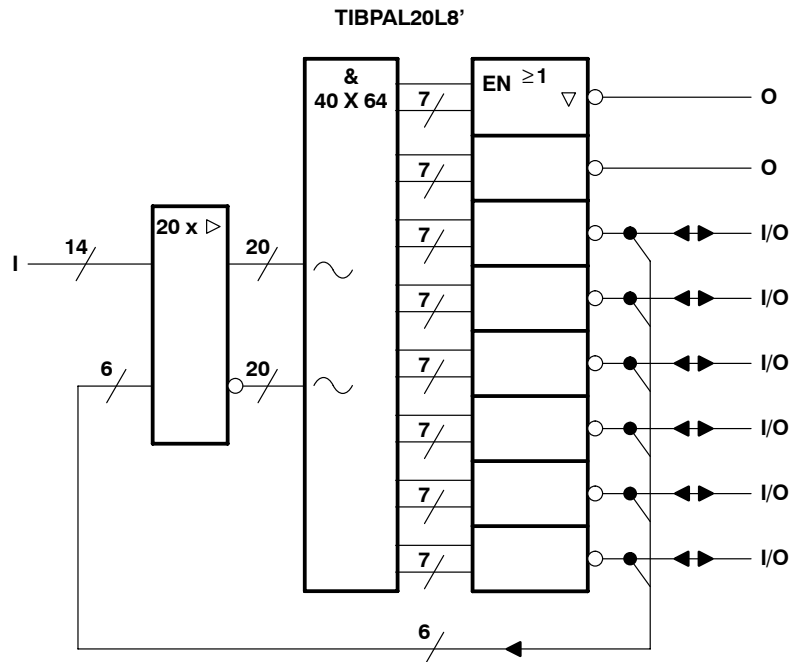
Pin assignments in operating mode

NC – No internal connection



POST OFFICE BOX 655303 • DALLAS, TEXAS 75265

functional block diagrams (positive logic)



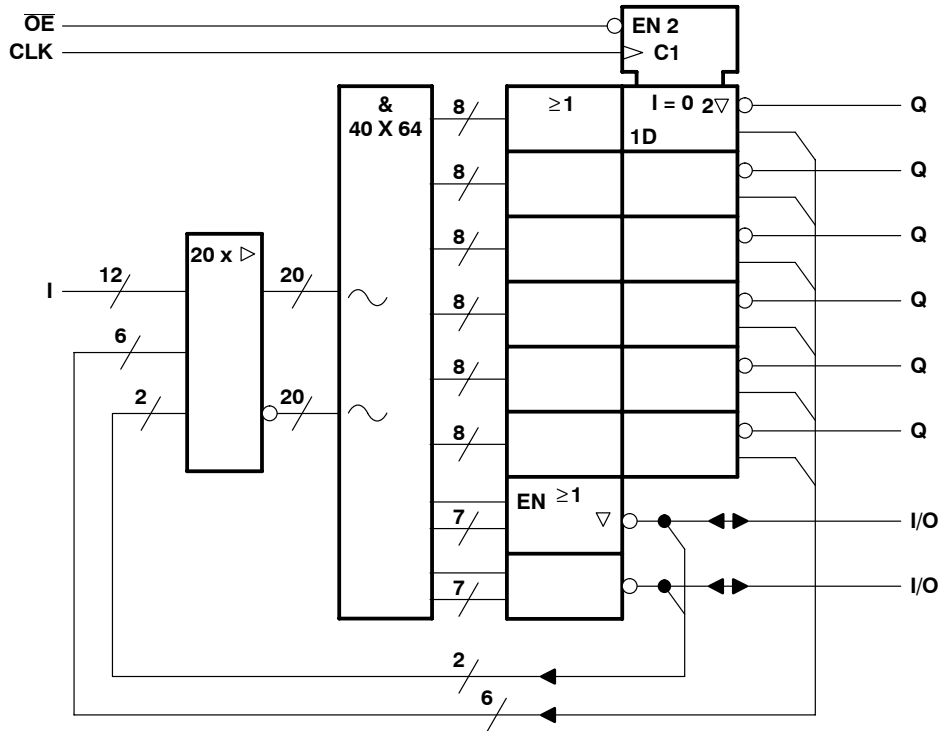
~ denotes fused inputs

**TIBPAL20R6-15C, TIBPAL20R8-15C**  
**TIBPAL20R6-20M, TIBPAL20R8-20M**  
**HIGH-PERFORMANCE *IMPACT*™ PAL® CIRCUITS**

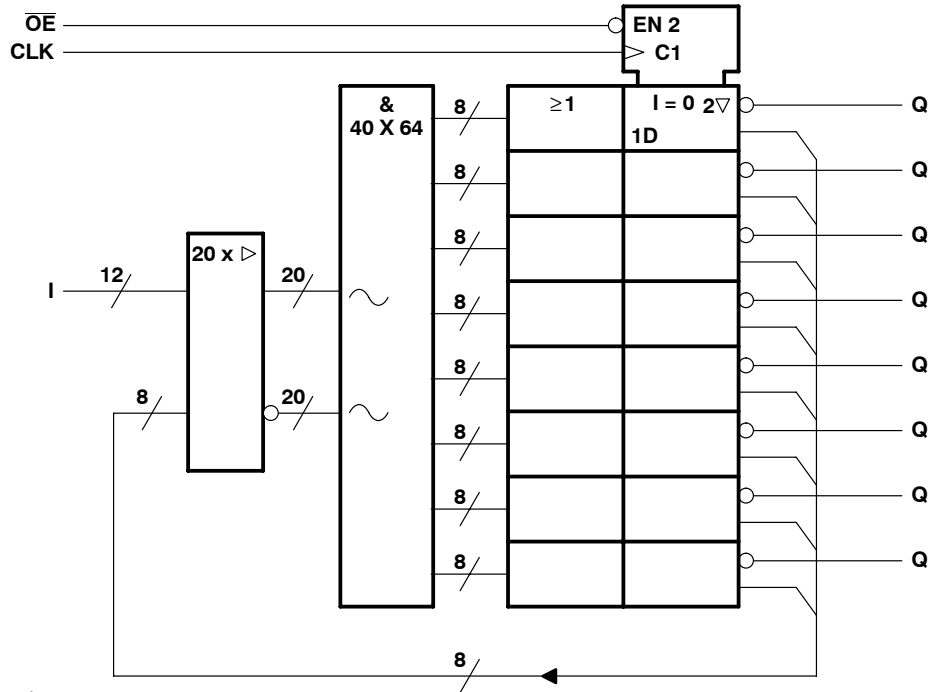
SRPS021A - D2920, JUNE 1986 - REVISED DECEMBER 2010

**functional block diagrams (positive logic)**

**TIBPAL20R6'**



**TIBPAL20R8'**

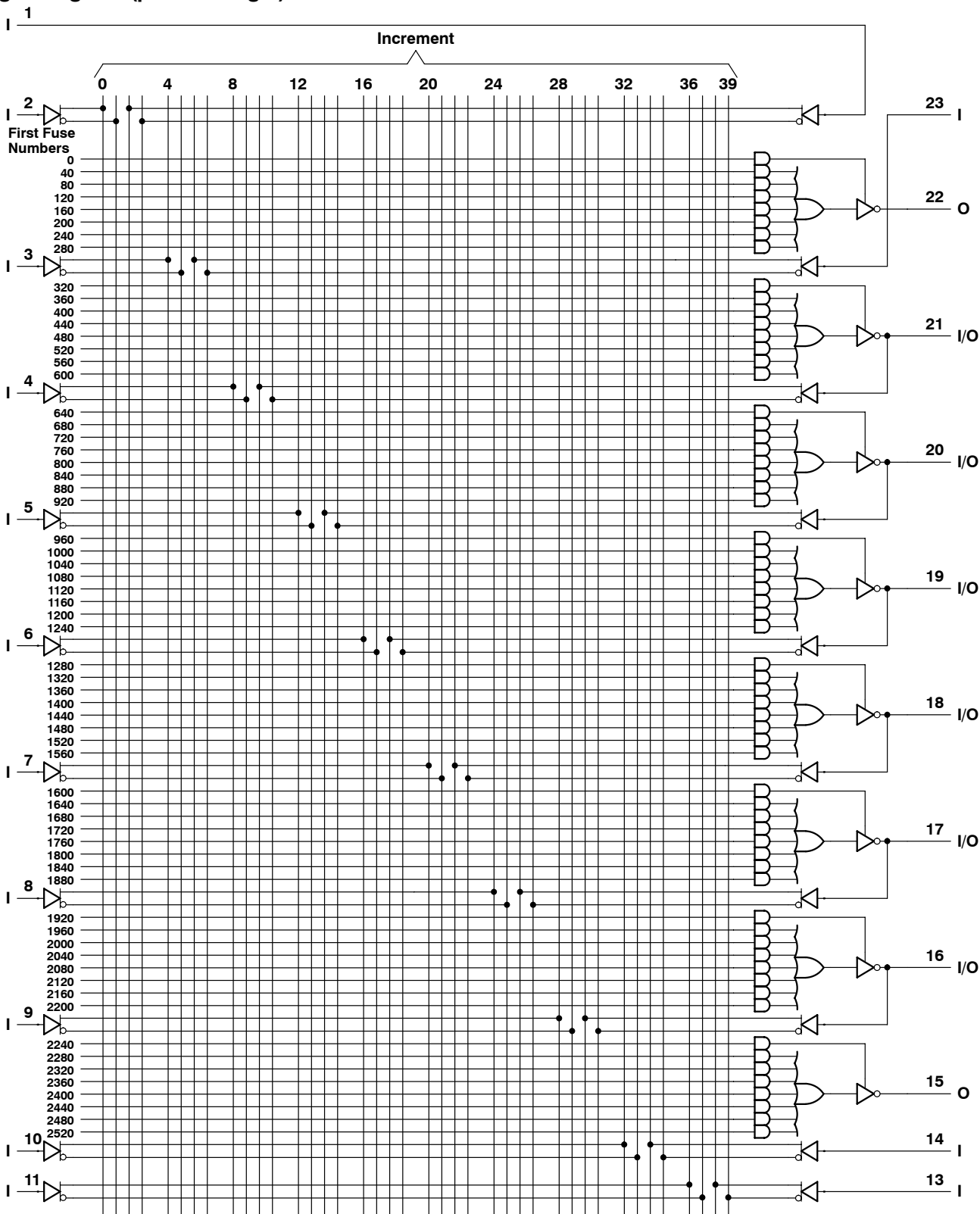


~ denotes fused inputs



POST OFFICE BOX 655303 • DALLAS, TEXAS 75265

logic diagram (positive logic)



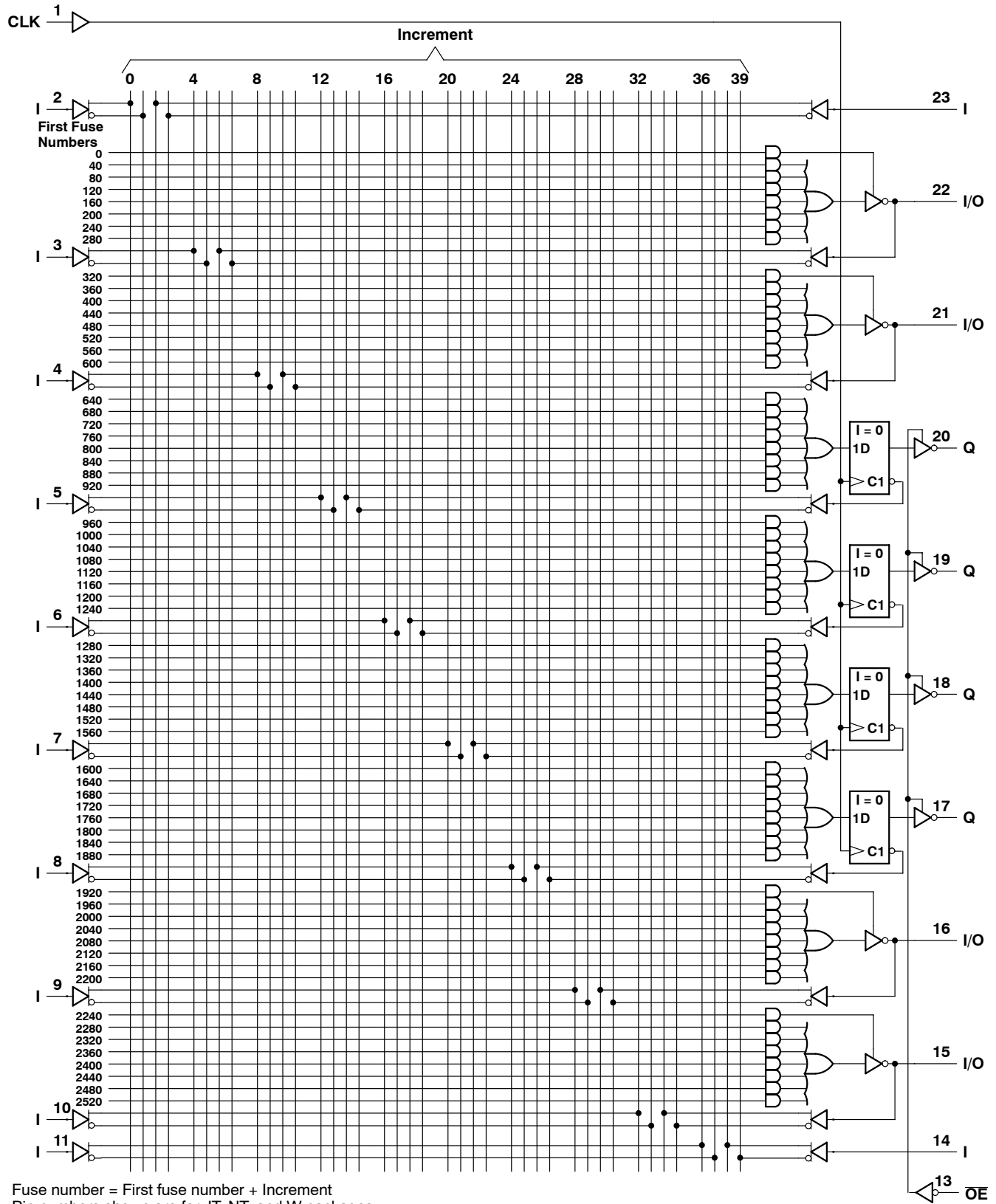
Fuse number = First fuse number + Increment  
 Pin numbers shown are for JT, NT, and W packages.



**TIBPAL20R4-15C**  
**TIBPAL20R4-20M**  
**HIGH-PERFORMANCE *IMPACT*™ PAL® CIRCUITS**

SRPS021A - D2920, JUNE 1986 - REVISED DECEMBER 2010

**logic diagram (positive logic)**

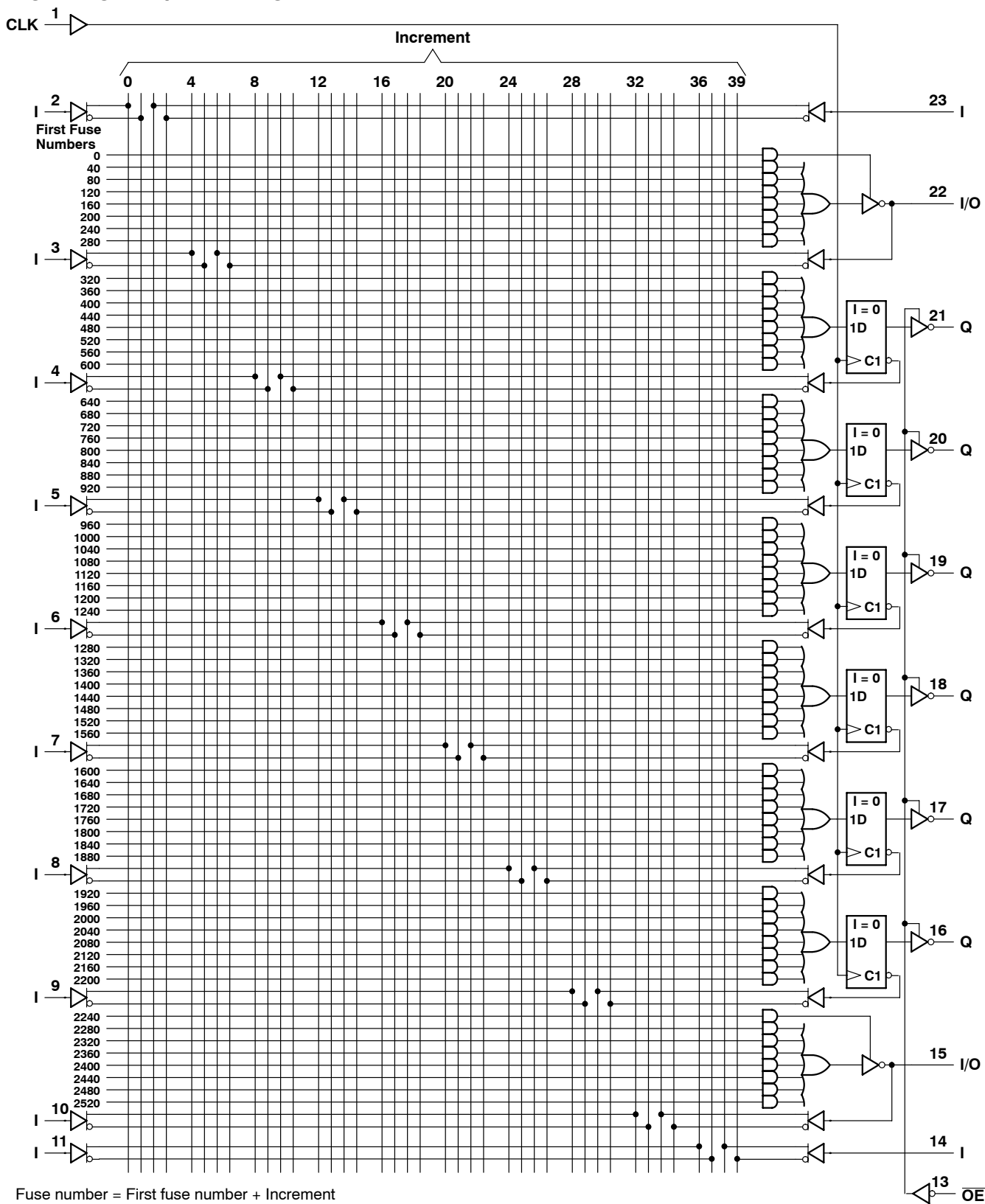


Fuse number = First fuse number + Increment  
 Pin numbers shown are for JT, NT, and W packages.



POST OFFICE BOX 655303 • DALLAS, TEXAS 75265

logic diagram (positive logic)

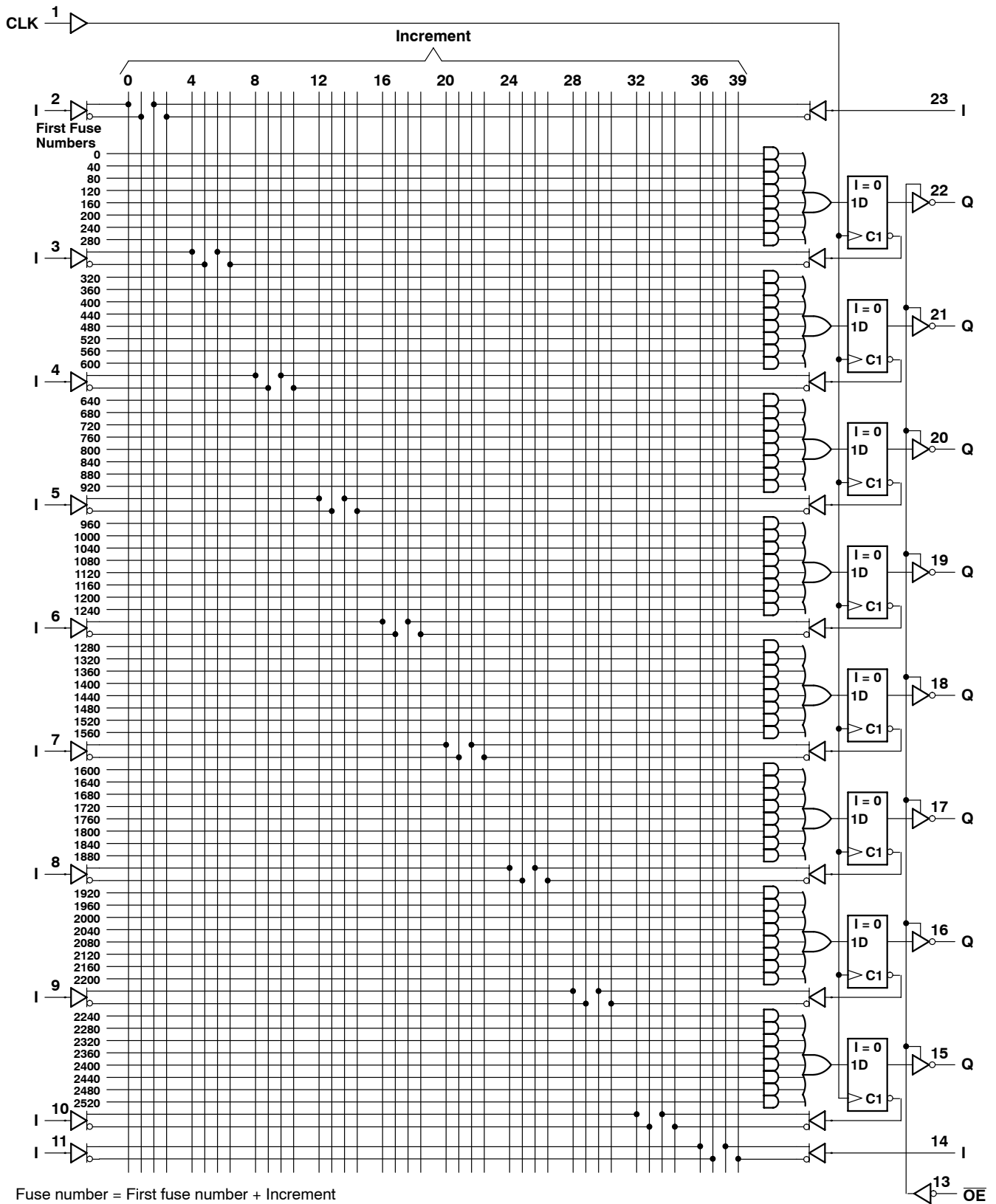


Fuse number = First fuse number + Increment  
 Pin numbers shown are for JT, NT, and W packages.

**TIBPAL20R8-15C**  
**TIBPAL20R8-20M**  
**HIGH-PERFORMANCE *IMPACT*™ PAL® CIRCUITS**

SRPS021A - D2920, JUNE 1986 - REVISED DECEMBER 2010

**logic diagram (positive logic)**



Fuse number = First fuse number + Increment  
 Pin numbers shown are for JT, NT, and W packages.



POST OFFICE BOX 655303 • DALLAS, TEXAS 75265



# TIBPAL20L8-15C, TIBPAL20R4-15C, TIBPAL20R6-15C, TIBPAL20R8-15C HIGH-PERFORMANCE *IMPACT*™ *PAL*® CIRCUITS

SRPS021A – D2920, JUNE 1986 – REVISED DECEMBER 2010

## absolute maximum ratings over operating free-air temperature range (unless otherwise noted)

Supply voltage, $V_{CC}$ (see Note 1) .....	7 V
Input voltage (see Note 1) .....	5.5 V
Voltage applied to disabled output (see Note 1) .....	5.5 V
Operating free-air temperature range .....	0°C to 75°C
Storage temperature range .....	–65°C to 150°C

NOTE 1: These ratings apply except for programming pins during a programming cycle.

## recommended operating conditions

		MIN	NOM	MAX	UNIT
$V_{CC}$	Supply voltage	4.75	5	5.25	V
$V_{IH}$	High-level input voltage	2		5.5	V
$V_{IL}$	Low-level input voltage			0.8	V
$I_{OH}$	High-level output current			–3.2	mA
$I_{OL}$	Low-level output current			24	mA
$f_{clock}^\dagger$	Clock frequency	0		45	MHz
$t_w^\dagger$	Pulse duration, clock	High	10		ns
		Low	12		
$t_{su}^\dagger$	Setup time, input or feedback before clock $\uparrow$	15			ns
$t_h^\dagger$	Hold time, input or feedback after clock $\uparrow$	0			ns
$T_A$	Operating free-air temperature	0	25	75	°C

$^\dagger f_{clock}$ ,  $t_w$ ,  $t_{su}$ , and  $t_h$  do not apply for TIBPAL20L8'.



# TIBPAL20L8-15C, TIBPAL20R4-15C, TIBPAL20R6-15C, TIBPAL20R8-15C HIGH-PERFORMANCE *IMPACT*™ *PAL*® CIRCUITS

SRPS021A – D2920, JUNE 1986 – REVISED DECEMBER 2010

## electrical characteristics over recommended operating free-air temperature range

PARAMETER		TEST CONDITIONS		MIN	TYP†	MAX	UNIT
V <sub>IK</sub>		V <sub>CC</sub> = 4.75 V,	I <sub>I</sub> = -18 mA		-0.8	-1.5	V
V <sub>OH</sub>		V <sub>CC</sub> = 4.75 V,	I <sub>OH</sub> = -3.2 mA	2.4			V
V <sub>OL</sub>		V <sub>CC</sub> = 4.75 V,	I <sub>OL</sub> = 24 mA		0.3	0.5	V
I <sub>OZH</sub>	O, Q outputs	V <sub>CC</sub> = 5.25 V,	V <sub>O</sub> = 2.7 V			20	μA
	I/O ports					100	
I <sub>OZL</sub>	O, Q outputs	V <sub>CC</sub> = 5.25 V,	V <sub>O</sub> = 0.4 V			-20	μA
	I/O ports					-250	
I <sub>I</sub>		V <sub>CC</sub> = 5.25 V,	V <sub>I</sub> = 5.5 V			0.1	mA
I <sub>IH</sub> ‡		V <sub>CC</sub> = 5.25 V,	V <sub>I</sub> = 2.7 V			25	μA
I <sub>IL</sub> ‡		V <sub>CC</sub> = 5.25 V,	V <sub>I</sub> = 0.4 V			-0.25	mA
I <sub>OS</sub> §		V <sub>CC</sub> = 5.25 V,	V <sub>O</sub> = 0.5 V	-30	-70	-130	mA
I <sub>CC</sub>		V <sub>CC</sub> = 5.25 V, Outputs open,	V <sub>I</sub> = 0, $\overline{OE}$ at V <sub>IH</sub>		120	180	mA

## switching characteristics over recommended ranges of supply voltage and operating free-air temperature (unless otherwise noted)

PARAMETER	FROM (INPUT)	TO (OUTPUT)	TEST CONDITION	MIN	TYP†	MAX	UNIT
f <sub>max</sub> ¶	With feedback		R1 = 200 Ω, R2 = 390 Ω, See Figure 3	37	40		MHz
	Without feedback			45	50		
t <sub>pd</sub>	I, I/O	O, I/O			12	15	ns
t <sub>pd</sub>	CLK↑	Q			8	12	ns
t <sub>en</sub>	$\overline{OE}$	Q			10	15	ns
t <sub>dis</sub>	$\overline{OE}$ ↑	Q			8	12	ns
t <sub>en</sub>	I, I/O	O, I/O			12	18	ns
t <sub>dis</sub>	I, I/O	O, I/O			12	15	ns

† All typical values are at V<sub>CC</sub> = 5 V, T<sub>A</sub> = 25°C.

‡ For I/O ports, the parameters I<sub>IH</sub> and I<sub>IL</sub> include the off-state output current.

§ Not more than one output should be shorted at a time, and the duration of the short-circuit should not exceed one second.

$$¶ f_{\max}(\text{with feedback}) = \frac{1}{t_{\text{su}} + t_{\text{pd}}(\text{CLK to Q})}, \quad f_{\max}(\text{without feedback}) = \frac{1}{t_{\text{w high}} + t_{\text{w low}}}$$

f<sub>max</sub> does not apply for TIBPAL20L8.



# TIBPAL20L8-20M, TIBPAL20R4-20M, TIBPAL20R6-20M, TIBPAL20R8-20M HIGH-PERFORMANCE *IMPACT*™ *PAL*® CIRCUITS

SRPS021A – D2920, JUNE 1986 – REVISED DECEMBER 2010

## absolute maximum ratings over operating free-air temperature range (unless otherwise noted)

Supply voltage, $V_{CC}$ (see Note 1) .....	7 V
Input voltage (see Note 1) .....	5.5 V
Voltage applied to disabled output (see Note 1) .....	5.5 V
Operating free-air temperature range .....	–55°C to 125°C
Storage temperature range .....	–65°C to 150°C

NOTE 1: These ratings apply except for programming pins during a programming cycle.

## recommended operating conditions

		MIN	NOM	MAX	UNIT
$V_{CC}$	Supply voltage	4.5	5	5.5	V
$V_{IH}$	High-level input voltage	2		5.5	V
$V_{IL}$	Low-level input voltage			0.8	V
$I_{OH}$	High-level output current			–2	mA
$I_{OL}$	Low-level output current			12	mA
$f_{clock}^\dagger$	Clock frequency	0		41.6	MHz
$t_w^\dagger$	Pulse duration, clock	High	12		ns
		Low	12		
$t_{su}^\dagger$	Setup time, input or feedback before clock $\uparrow$	20			ns
$t_h^\dagger$	Hold time, input or feedback after clock $\uparrow$	0			ns
$T_A$	Operating free-air temperature	–55	25	125	°C

$^\dagger f_{clock}$ ,  $t_w$ ,  $t_{su}$ , and  $t_h$  do not apply for TIBPAL20L8'.



# TIBPAL20L8-20M, TIBPAL20R4-20M, TIBPAL20R6-20M, TIBPAL20R8-20M HIGH-PERFORMANCE *IMPACT*™ *PAL*® CIRCUITS

SRPS021A – D2920, JUNE 1986 – REVISED DECEMBER 2010

## electrical characteristics over recommended operating free-air temperature range

PARAMETER		TEST CONDITIONS		MIN	TYP†	MAX	UNIT
V <sub>IK</sub>		V <sub>CC</sub> = 4.5 V,	I <sub>I</sub> = -18 mA		-0.8	-1.5	V
V <sub>OH</sub>		V <sub>CC</sub> = 4.5 V,	I <sub>OH</sub> = -2 mA	2.4	3.2		V
V <sub>OL</sub>		V <sub>CC</sub> = 4.5 V,	I <sub>OL</sub> = 12 mA		0.3	0.5	V
I <sub>OZH</sub>		V <sub>CC</sub> = 5.5 V,	V <sub>O</sub> = 2.7 V			100	μA
I <sub>OZL</sub> ‡	O, Q outputs	V <sub>CC</sub> = 5.5 V,	V <sub>O</sub> = 0.4 V			-20	μA
	I/O ports					-250	
I <sub>I</sub>		V <sub>CC</sub> = 5.5 V,	V <sub>I</sub> = 5.5 V			1	mA
I <sub>IH</sub> ‡	I/O ports	V <sub>CC</sub> = 5.5 V,	V <sub>I</sub> = 2.7 V			100	μA
	All others					25	
I <sub>IL</sub> ‡		V <sub>CC</sub> = 5.5 V,	V <sub>I</sub> = 0.4 V			-0.25	mA
I <sub>OS</sub> §		V <sub>CC</sub> = 5.5 V,	V <sub>O</sub> = 0.5 V	-30	-70	-250	mA
I <sub>CC</sub>		V <sub>CC</sub> = 5.5 V, Outputs open,	V <sub>I</sub> = 0, OE = V <sub>IH</sub>		120	180	mA

## switching characteristics over recommended ranges of supply voltage and operating free-air temperature (unless otherwise noted)

PARAMETER	FROM (INPUT)	TO (OUTPUT)	TEST CONDITION	MIN	TYP†	MAX	UNIT
f <sub>max</sub> ¶	With feedback		R1 = 390 Ω, R2 = 750 Ω, See Figure 3	28.5	40		MHz
	Without feedback			41.6	50		
t <sub>pd</sub>	I, I/O	O, I/O			12	20	ns
t <sub>pd</sub>	CLK↑	Q			8	15	ns
t <sub>en</sub>	OE	Q			10	20	ns
t <sub>dis</sub>	OE↑	Q			8	20	ns
t <sub>en</sub>	I, I/O	O, I/O			12	25	ns
t <sub>dis</sub>	I, I/O	O, I/O		12	20	ns	

† All typical values are at V<sub>CC</sub> = 5 V, T<sub>A</sub> = 25°C.

‡ For I/O ports, the parameters I<sub>IH</sub> and I<sub>IL</sub> include the off-state output current.

§ Not more than one output should be shorted at a time, and the duration of the short-circuit should not exceed one second. Set V<sub>O</sub> at 0.5 V to avoid test equipment ground degradation.

$$¶ f_{\max(\text{with feedback})} = \frac{1}{t_{\text{su}} + t_{\text{pd}}(\text{CLK to Q})}, \quad f_{\max(\text{without feedback})} = \frac{1}{t_{\text{w high}} + t_{\text{w low}}}$$

f<sub>max</sub> does not apply for TIBPAL20L8.



## programming information

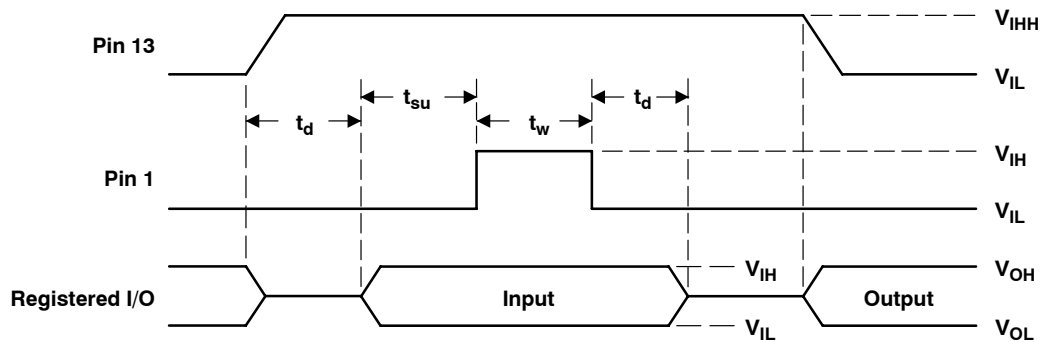
Texas Instruments programmable logic devices can be programmed using widely available software and inexpensive device programmers.

Complete programming specifications, algorithms, and the latest information on hardware, software, and firmware are available upon request. Information on programmers capable of programming Texas Instruments programmable logic is also available, upon request, from the nearest TI field sales office, local authorized TI distributor, or by calling Texas Instruments at (214) 997-5666.

## preload procedure for registered outputs (see Figure 1 and Notes 2 and 3)

The output registers can be preloaded to any desired state during device testing. This permits any state to be tested without having to step through the entire state-machine sequence. Each register is preloaded individually by following the steps given below.

- Step 1. With  $V_{CC}$  at 5 volts and Pin 1 at  $V_{IL}$ , raise Pin 13 to  $V_{IHH}$ .
- Step 2. Apply either  $V_{IL}$  or  $V_{IH}$  to the output corresponding to the register to be preloaded.
- Step 3. Pulse Pin 1, clocking in preload data.
- Step 4. Remove output voltage, then lower Pin 13 to  $V_{IL}$ . Preload can be verified by observing the voltage level at the output pin.



**Figure 1. Preload Waveforms**

NOTES: 2. Pin numbers shown are for JT, NT, and W packages only. If chip carrier socket adapter is not used, pin numbers must be changed accordingly.

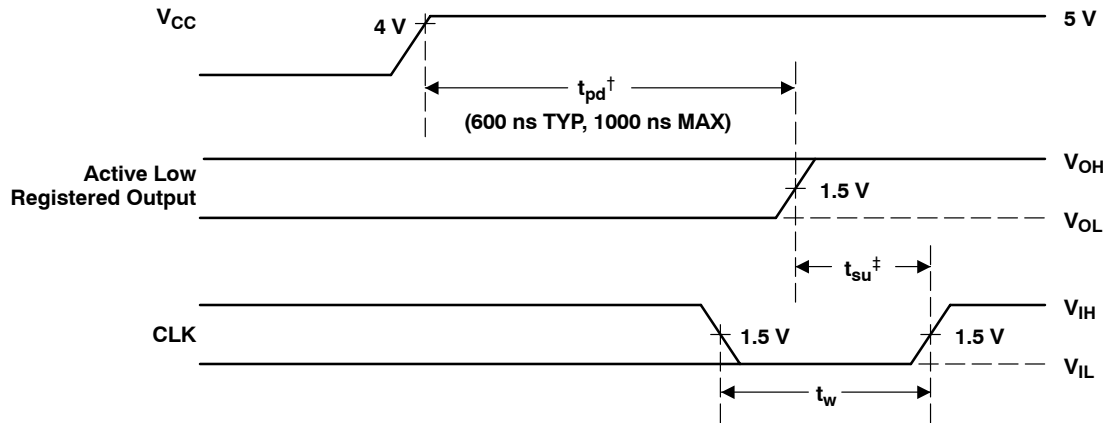
3.  $t_d = t_{su} = t_h = 100$  ns to 1000 ns  $V_{IHH} = 10.25$  V to 10.75 v

**TIBPAL20L8-15C, TIBPAL20R4-15C, TIBPAL20R6-15C, TIBPAL20R8-15C**  
**TIBPAL20L8-20M, TIBPAL20R4-20M, TIBPAL20R6-20M, TIBPAL20R8-20M**  
**HIGH-PERFORMANCE *IMPACT*™ PAL® CIRCUITS**

SRPS021 D- D2920, JUNE 1986 - REVISED DECEMBER 2010

**power-up reset (see Figure 2)**

Following power up, all registers are reset to zero. This feature provides extra flexibility to the system designer and is especially valuable in simplifying state-machine initialization. To ensure a valid power-up reset, it is important that the rise of  $V_{CC}$  be monotonic. Following power-up reset, a low-to-high clock transition must not occur until all applicable input and feedback setup times are met.

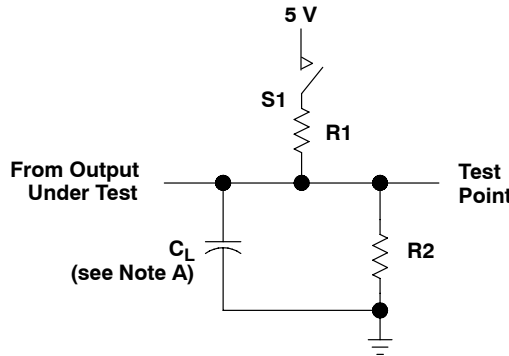


† This is the power-up reset time and applies to registered outputs only. The values shown are from characterization data.

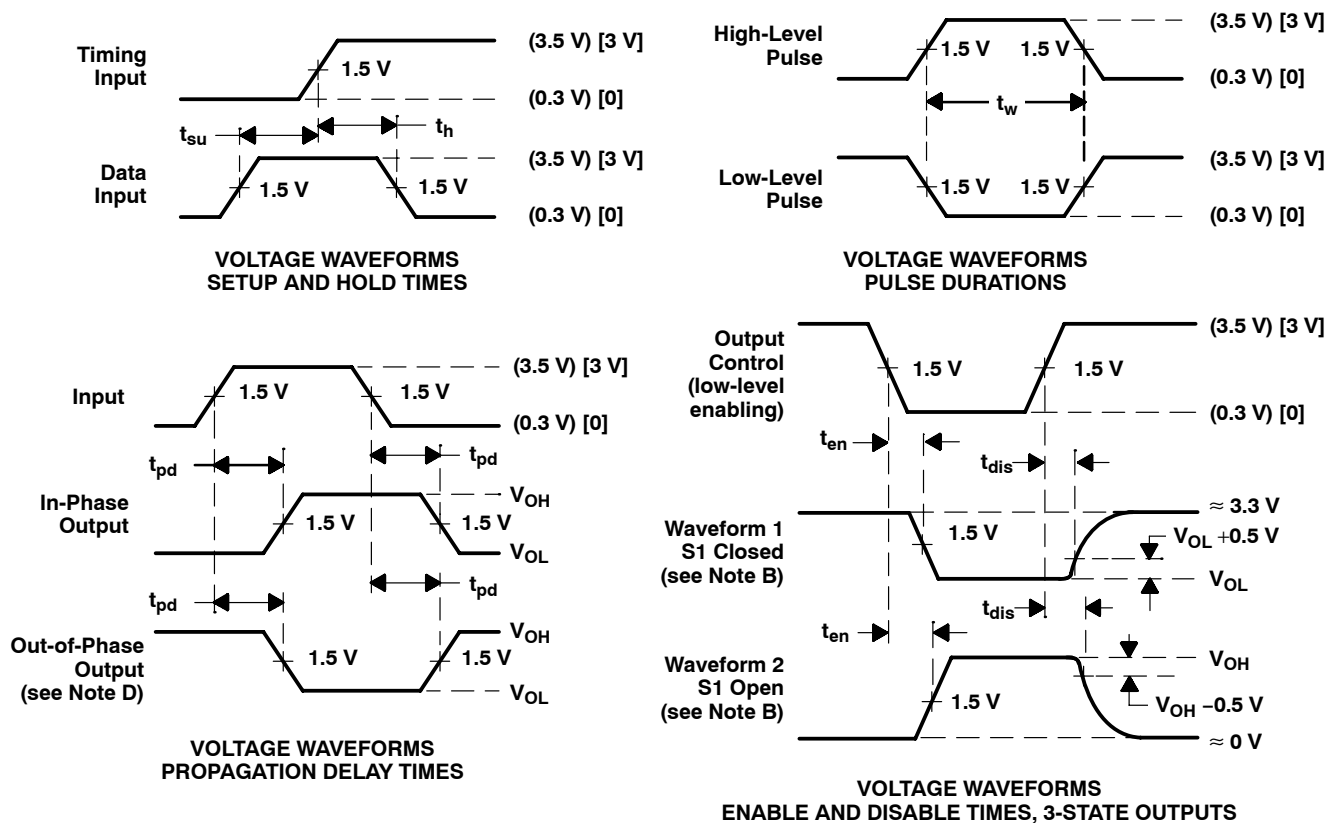
‡ This is the setup time for input or feedback.

**Figure 2. Power-Up Reset Waveforms**

PARAMETER MEASUREMENT INFORMATION



LOAD CIRCUIT FOR 3-STATE OUTPUTS



- NOTES: A.  $C_L$  includes probe and jig capacitance and is 50 pF for  $t_{pd}$  and  $t_{en}$ , 5 pF for  $t_{dis}$ .  
 B. Waveform 1 is for an output with internal conditions such that the output is low except when disabled by the output control. Waveform 2 is for an output with internal conditions such that the output is high except when disabled by the output control.  
 C. All input pulses have the following characteristics: For C suffix, use the voltage levels indicated in parentheses ( ).  $PRR \leq 1$  MHz,  $t_r = t_f \leq 2$  ns, duty cycle = 50%. For M suffix, use the voltage levels indicated in brackets [ ].  $PRR \leq 10$  MHz,  $t_r$  and  $t_f \leq 2$  ns, duty cycle = 50%.  
 D. When measuring propagation delay times of 3-state outputs, switch S1 is closed.  
 E. Equivalent loads may be used for testing.

Figure 3. Load Circuit and Voltage Waveforms

# TI North American Sales Offices

**ALABAMA:** Huntsville: (205) 837-7530  
**ARIZONA:** Phoenix: (602) 995-1007  
**CALIFORNIA:** Irvine: (714) 660-1200  
 San Diego: (619) 278-9600  
 Santa Clara: (408) 980-9000  
 Woodland Hills: (818) 704-8100  
**COLORADO:** Aurora: (303) 368-8000  
**CONNECTICUT:** Wallingford: (203) 269-0074  
**FLORIDA:** Altamonte Springs: (407) 260-2116  
 Fort Lauderdale: (305) 973-8502  
 Tampa: (813) 885-7588  
**GEORGIA:** Norcross: (404) 662-7967  
**ILLINOIS:** Arlington Heights: (708) 640-3000  
**INDIANA:** Carmel: (317) 573-6400  
 Fort Wayne: (219) 489-4697  
**KANSAS:** Overland Park: (913) 451-4511  
**MARYLAND:** Columbia: (410) 964-2003  
**MASSACHUSETTS:** Waltham: (617) 895-9100  
**MICHIGAN:** Farmington Hills: (313) 553-1581  
**MINNESOTA:** Eden Prairie: (612) 828-9300  
**MISSOURI:** St. Louis: (314) 821-8400  
**NEW JERSEY:** Iselin: (908) 750-1050  
**NEW MEXICO:** Albuquerque: (505) 345-2555  
**NEW YORK:** East Syracuse: (315) 463-9291  
 Fishkill: (914) 897-2900  
 Melville: (516) 454-6600  
 Pittsford: (716) 385-6770  
**NORTH CAROLINA:** Charlotte: (704) 527-0930  
 Raleigh: (919) 876-2725  
**OHIO:** Beachwood: (216) 765-7258  
 Beavercreek: (513) 427-6200  
**OREGON:** Beaverton: (503) 643-6758  
**PENNSYLVANIA:** Blue Bell: (215) 825-9500  
**PUERTO RICO:** Hato Rey: (809) 753-8700  
**TEXAS:** Austin: (512) 250-6769  
 Dallas: (214) 917-1264  
 Houston: (713) 778-6592  
 Midland: (915) 561-7137  
**UTAH:** Salt Lake City: (801) 466-8972  
**WISCONSIN:** Waukesha: (414) 798-1001  
**CANADA:** Nepean: (613) 726-1970  
 Richmond Hill: (416) 884-9181  
 St. Laurent: (514) 335-8392

# TI Regional Technology Centers

**CALIFORNIA:** Irvine: (714) 660-8140  
 Santa Clara: (408) 748-2222  
**GEORGIA:** Norcross: (404) 662-7945  
**ILLINOIS:** Arlington Heights: (708) 640-2909  
**INDIANA:** Indianapolis: (317) 573-6400  
**MASSACHUSETTS:** Waltham: (617) 895-9196  
**MEXICO:** Mexico City: 491-70834  
**MINNESOTA:** Minneapolis: (612) 828-9300  
**TEXAS:** Dallas: (214) 917-3881  
**CANADA:** Nepean: (613) 726-1970

## Customer Response Center

**TOLL FREE:** (800) 336-5236  
**OUTSIDE USA:** (214) 995-6611  
 (8:00 a.m. – 5:00 p.m. CST)

# TI Authorized North American Distributors

Alliance Electronics, Inc. (military product only)  
 Almac/Arrow  
 Anthem Electronics  
 Arrow/Schweber  
 Future Electronics (Canada)  
 GRS Electronics Co., Inc.  
 Hall-Mark Electronics  
 Marshall Industries  
 Newark Electronics  
 Rochester Electronics, Inc.  
 (obsolete product only) (508) 462-9332  
 Wyle Laboratories  
 Zeus Components

# TI Distributors

**ALABAMA:** Arrow/Schweber (205) 837-6955; Hall-Mark (205) 837-8700; Marshall (205) 881-9235.  
**ARIZONA:** Anthem (602) 966-6600; Arrow/Schweber (602) 437-0750; Hall-Mark (602) 431-0030; Marshall (602) 496-0290; Wyle (602) 437-2088.  
**CALIFORNIA: Los Angeles/Orange County:** Anthem (818) 775-1333, (714) 768-4444; Arrow/Schweber (818) 380-9686, (714) 838-5422; Hall-Mark (818) 773-4500, (714) 727-6000; Marshall (818) 878-7000, (714) 458-5301; Wyle (818) 880-9000, (714) 863-9953; Zeus (714) 921-9000, (818) 889-3838;  
**Sacramento:** Anthem (916) 624-9744; Hall-Mark (916) 624-9781; Marshall (916) 635-9700; Wyle (916) 638-5282;  
**San Diego:** Anthem (619) 453-9005; Arrow/Schweber (619) 565-4800; Hall-Mark (619) 268-1201; Marshall (619) 578-9600; Wyle (619) 565-9171; Zeus (619) 277-9681.  
**San Francisco Bay Area:** Anthem (408) 453-1200; Arrow/Schweber (408) 441-9700, (510) 430-9477; Hall-Mark (408) 432-4000; Marshall (408) 942-4600; Wyle (408) 727-2500; Zeus (408) 629-4789.  
**COLORADO:** Anthem (303) 790-4500; Arrow/Schweber (303) 799-0258; Hall-Mark (303) 790-1662; Marshall (303) 451-8383; Wyle (303) 457-9953.  
**CONNECTICUT:** Anthem (203) 575-1575; Arrow/Schweber (203) 265-7741; Hall-Mark (203) 271-2844; Marshall (203) 265-3822.  
**FLORIDA: Fort Lauderdale:** Arrow/Schweber (305) 429-8200; Hall-Mark (305) 971-9280; Marshall (305) 977-4880.  
**Orlando:** Arrow/Schweber (407) 333-9300; Hall-Mark (407) 830-5855; Marshall (407) 767-8585; Zeus (407) 788-9100.  
**Tampa:** Hall-Mark (813) 541-7440; Marshall (813) 573-1399.  
**GEORGIA:** Arrow/Schweber (404) 497-1300; Hall-Mark (404) 623-4400; Marshall (404) 923-5750.  
**ILLINOIS:** Anthem (708) 884-0200; Arrow/Schweber (708) 250-0500; Hall-Mark (312) 860-3800; Marshall (708) 490-0155; Newark (312) 784-5100.  
**INDIANA:** Arrow/Schweber (317) 299-2071; Hall-Mark (317) 872-8875; Marshall (317) 297-0483.  
**IOWA:** Arrow/Schweber (319) 395-7230.  
**KANSAS:** Arrow/Schweber (913) 541-9542; Hall-Mark (913) 888-4747; Marshall (913) 492-3121.  
**MARYLAND:** Anthem (301) 995-6640; Arrow/Schweber (301) 596-7800; Hall-Mark (301) 988-9800; Marshall (301) 622-1118; Zeus (301) 997-1118.  
**MASSACHUSETTS:** Anthem (508) 657-5170; Arrow/Schweber (508) 658-0900; Hall-Mark (508) 667-0902; Marshall (508) 658-0810; Wyle (617) 272-7300; Zeus (617) 246-8200.



**MICHIGAN: Detroit:** Arrow/Schweber (313) 462-2290; Hall-Mark (313) 416-5800; Marshall (313) 525-5850; Newark (313) 967-0600.  
**MINNESOTA:** Anthem (612) 944-5454; Arrow/Schweber (612) 941-5280; Hall-Mark (612) 881-2600; Marshall (612) 559-2211.  
**MISSOURI:** Arrow/Schweber (314) 567-6888; Hall-Mark (314) 291-5350; Marshall (314) 291-4650.  
**NEW JERSEY:** Anthem (201) 227-7960; Arrow/Schweber (201) 227-7880, (609) 596-8000; Hall-Mark (201) 515-3000, (609) 235-1900; Marshall (201) 882-0320, (609) 234-9100.  
**NEW MEXICO:** Alliance (505) 292-3360.  
**NEW YORK: Long Island:** Anthem (516) 864-6600; Arrow/Schweber (516) 231-1000; Hall-Mark (516) 737-0600; Marshall (516) 273-2424; Zeus (914) 937-7400.  
**Rochester:** Arrow/Schweber (716) 427-0300; Hall-Mark (716) 425-3300; Marshall (716) 235-7620.  
**Syracuse:** Marshall (607) 785-2345.  
**NORTH CAROLINA:** Arrow/Schweber (919) 876-3132; Hall-Mark (919) 872-0712; Marshall (919) 878-9882.  
**OHIO: Cleveland:** Arrow/Schweber (216) 248-3990; Hall-Mark (216) 349-4632; Marshall (216) 248-1788.  
**Columbus:** Hall-Mark (614) 888-3313.  
**Dayton:** Arrow/Schweber (513) 435-5563; Marshall (513) 898-4480; Zeus (513) 293-6162.  
**OKLAHOMA:** Arrow/Schweber (919) 252-7537; Hall-Mark (918) 254-6110.  
**OREGON:** Almac/Arrow (503) 629-8090; Anthem (503) 643-1114; Marshall (503) 644-5050; Wyle (503) 643-7900.  
**PENNSYLVANIA:** Anthem (215) 443-5150; Arrow/Schweber (215) 928-1800; GRS (215) 922-7037; (609) 964-8560; Marshall (412) 788-0441.  
**TEXAS: Austin:** Arrow/Schweber (512) 835-4180; Hall-Mark (512) 258-8848; Marshall (512) 837-1991; Wyle (512) 345-8853;  
**Dallas:** Anthem (214) 238-7100; Arrow/Schweber (214) 380-6464; Hall-Mark (214) 553-4300; Marshall (214) 233-5200; Wyle (214) 235-9953; Zeus (214) 783-7010;  
**Houston:** Arrow/Schweber (713) 530-4700; Hall-Mark (713) 781-6100; Marshall (713) 467-1666; Wyle (713) 879-9953.  
**UTAH:** Anthem (801) 973-8555; Arrow/Schweber (801) 973-6913; Marshall (801) 973-2288; Wyle (801) 974-9953.  
**WASHINGTON:** Almac/Arrow (206) 643-9992; Anthem (206) 483-1700; Marshall (206) 486-5747; Wyle (206) 881-1150.  
**WISCONSIN:** Arrow/Schweber (414) 792-0150; Hall-Mark (414) 797-7844; Marshall (414) 797-8400.  
**CANADA: Calgary:** Future (403) 235-5325;  
**Edmonton:** Future (403) 438-2858;  
**Montreal:** Arrow/Schweber (514) 421-7411; Future (514) 694-7710; Marshall (514) 694-8142  
**Ottawa:** Arrow/Schweber (613) 226-6903; Future (613) 820-8313.  
**Quebec:** Future (418) 897-6666.  
**Toronto:** Arrow/Schweber (416) 670-7769; Future (416) 612-9200; Marshall (416) 458-8046.  
**Vancouver:** Arrow/Schweber (604) 421-2333; Future (604) 294-1166.

## TI Die Processors

Chip Supply (407) 298-7100  
 Elmo Semiconductor (818) 768-7400  
 Minco Technology Labs (512) 834-2022

D0892



**PACKAGING INFORMATION**

Orderable Device	Status (1)	Package Type	Package Drawing	Pins	Package Qty	Eco Plan (2)	Lead/Ball Finish (6)	MSL Peak Temp (3)	Op Temp (°C)	Device Marking (4/5)	Samples
5962-87671013A	ACTIVE	LCCC	FD	28	1	TBD	POST-PLATE	N / A for Pkg Type	-55 to 125	5962- 87671013A TIBPAL20 L8-20MFDB	<a href="#">Samples</a>
5962-87671043A	ACTIVE	LCCC	FD	28	1	TBD	POST-PLATE	N / A for Pkg Type	-55 to 125	5962- 87671043A TIBPAL20 R4-20MFDB	<a href="#">Samples</a>
5962-8767104LA	ACTIVE	CDIP	JT	24	1	TBD	Call TI	N / A for Pkg Type	-55 to 125	5962-8767104LA TIBPAL20R4-20M JTB	<a href="#">Samples</a>
8412901XA	ACTIVE	LCCC	FK	28	1	TBD	POST-PLATE	N / A for Pkg Type	-55 to 125	8412901XA TIBPAL20 L8-20MFKB	<a href="#">Samples</a>
8412902LA	ACTIVE	CDIP	JT	24	1	TBD	Call TI	N / A for Pkg Type	-55 to 125	8412902LA TIBPAL20R8-20M JTB	<a href="#">Samples</a>
8412904LA	ACTIVE	CDIP	JT	24	1	TBD	Call TI	N / A for Pkg Type	-55 to 125	8412904LA TIBPAL20R4-20M JTB	<a href="#">Samples</a>
JM38510/50501BLA	ACTIVE	CDIP	JT	24	1	TBD	Call TI	N / A for Pkg Type	-55 to 125	JM38510/ 50501BLA	<a href="#">Samples</a>
JM38510/50502BLA	ACTIVE	CDIP	JT	24	1	TBD	Call TI	N / A for Pkg Type	-55 to 125	JM38510/ 50502BLA	<a href="#">Samples</a>
JM38510/50504BLA	ACTIVE	CDIP	JT	24	1	TBD	Call TI	N / A for Pkg Type	-55 to 125	JM38510/ 50504BLA	<a href="#">Samples</a>
M38510/50501BLA	ACTIVE	CDIP	JT	24	1	TBD	Call TI	N / A for Pkg Type	-55 to 125	JM38510/ 50501BLA	<a href="#">Samples</a>
M38510/50502BLA	ACTIVE	CDIP	JT	24	1	TBD	Call TI	N / A for Pkg Type	-55 to 125	JM38510/ 50502BLA	<a href="#">Samples</a>
M38510/50504BLA	ACTIVE	CDIP	JT	24	1	TBD	Call TI	N / A for Pkg Type	-55 to 125	JM38510/ 50504BLA	<a href="#">Samples</a>
TIBPAL20L8-20MJTB	LIFEBUY	CDIP	JT	24		TBD	Call TI	Call TI	-55 to 125	5962-8767101LA TIBPAL20L8-20M JTB	

Orderable Device	Status (1)	Package Type	Package Drawing	Pins	Package Qty	Eco Plan (2)	Lead/Ball Finish (6)	MSL Peak Temp (3)	Op Temp (°C)	Device Marking (4/5)	Samples
TIBPAL20R4-20MJT	ACTIVE	CDIP	JT	24	1	TBD	Call TI	N / A for Pkg Type	-55 to 125	TIBPAL20R4-20M JT	<a href="#">Samples</a>
TIBPAL20R4-20MJTB	ACTIVE	CDIP	JT	24	1	TBD	Call TI	N / A for Pkg Type	-55 to 125	5962-8767104LA TIBPAL20R4-20M JTB	<a href="#">Samples</a>
TIBPAL20R8-20MJTB	ACTIVE	CDIP	JT	24	1	TBD	Call TI	N / A for Pkg Type	-55 to 125	5962-8767102LA TIBPAL20R8-20M JTB	<a href="#">Samples</a>

(1) The marketing status values are defined as follows:

**ACTIVE:** Product device recommended for new designs.

**LIFEBUY:** TI has announced that the device will be discontinued, and a lifetime-buy period is in effect.

**NRND:** Not recommended for new designs. Device is in production to support existing customers, but TI does not recommend using this part in a new design.

**PREVIEW:** Device has been announced but is not in production. Samples may or may not be available.

**OBSOLETE:** TI has discontinued the production of the device.

(2) **RoHS:** TI defines "RoHS" to mean semiconductor products that are compliant with the current EU RoHS requirements for all 10 RoHS substances, including the requirement that RoHS substance do not exceed 0.1% by weight in homogeneous materials. Where designed to be soldered at high temperatures, "RoHS" products are suitable for use in specified lead-free processes. TI may reference these types of products as "Pb-Free".

**RoHS Exempt:** TI defines "RoHS Exempt" to mean products that contain lead but are compliant with EU RoHS pursuant to a specific EU RoHS exemption.

**Green:** TI defines "Green" to mean the content of Chlorine (Cl) and Bromine (Br) based flame retardants meet JS709B low halogen requirements of <=1000ppm threshold. Antimony trioxide based flame retardants must also meet the <=1000ppm threshold requirement.

(3) MSL, Peak Temp. - The Moisture Sensitivity Level rating according to the JEDEC industry standard classifications, and peak solder temperature.

(4) There may be additional marking, which relates to the logo, the lot trace code information, or the environmental category on the device.

(5) Multiple Device Markings will be inside parentheses. Only one Device Marking contained in parentheses and separated by a "~" will appear on a device. If a line is indented then it is a continuation of the previous line and the two combined represent the entire Device Marking for that device.

(6) Lead/Ball Finish - Orderable Devices may have multiple material finish options. Finish options are separated by a vertical ruled line. Lead/Ball Finish values may wrap to two lines if the finish value exceeds the maximum column width.

**Important Information and Disclaimer:**The information provided on this page represents TI's knowledge and belief as of the date that it is provided. TI bases its knowledge and belief on information provided by third parties, and makes no representation or warranty as to the accuracy of such information. Efforts are underway to better integrate information from third parties. TI has taken and continues to take reasonable steps to provide representative and accurate information but may not have conducted destructive testing or chemical analysis on incoming materials and chemicals. TI and TI suppliers consider certain information to be proprietary, and thus CAS numbers and other limited information may not be available for release.

In no event shall TI's liability arising out of such information exceed the total purchase price of the TI part(s) at issue in this document sold by TI to Customer on an annual basis.

JT (R-GDIP-T\*\*)

CERAMIC DUAL-IN-LINE

24 LEADS SHOWN



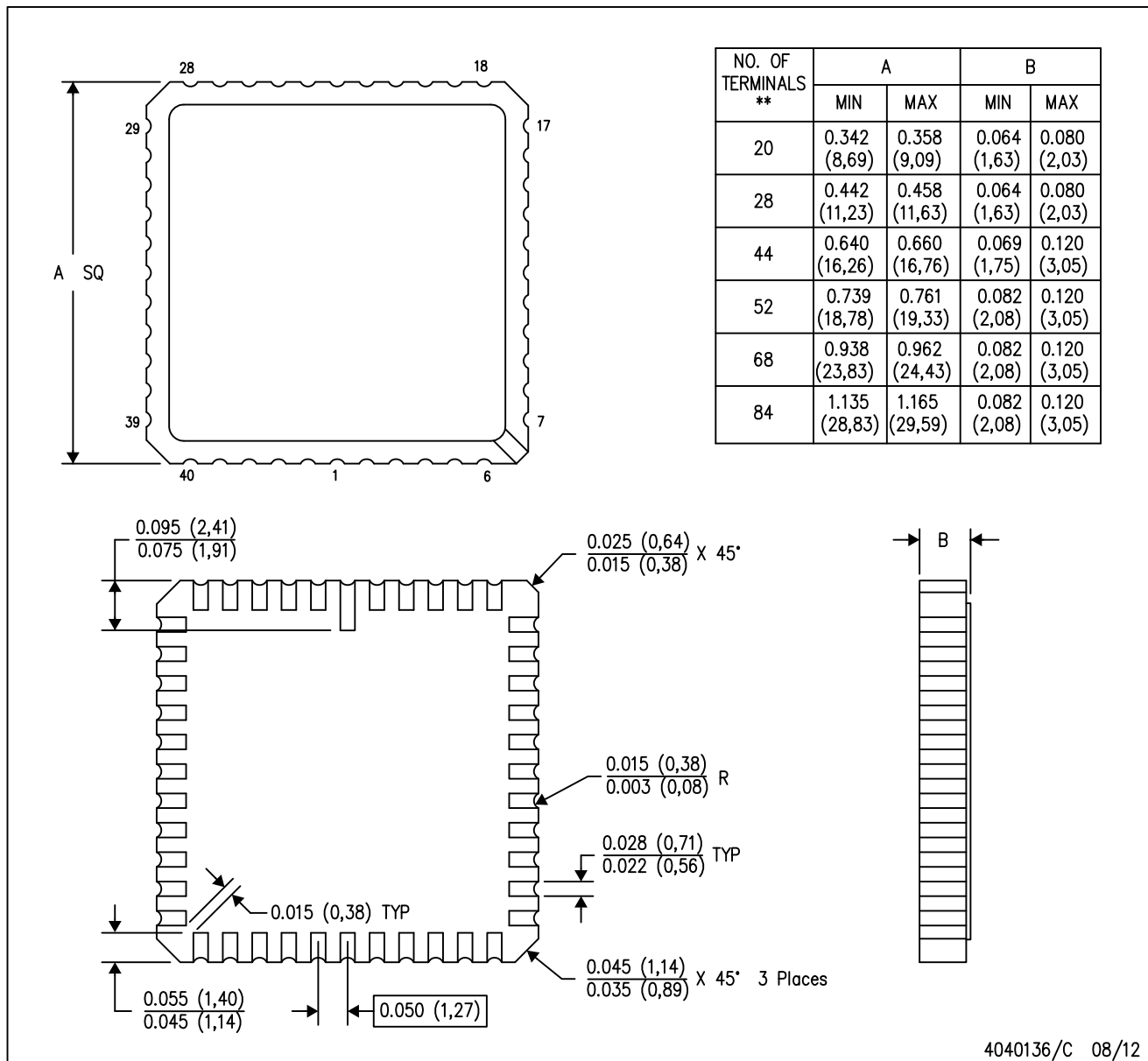
- NOTES: A. All linear dimensions are in inches (millimeters).  
 B. This drawing is subject to change without notice.  
 C. This package can be hermetically sealed with a ceramic lid using glass frit.  
 D. Index point is provided on cap for terminal identification.  
 E. Falls within MIL STD 1835 GDIP3-T24, GDIP4-T28, and JEDEC MO-058 AA, MO-058 AB

# MECHANICAL DATA

FD (S-CQCC-N\*\*)

LEADLESS CERAMIC CHIP CARRIER

44 TERMINAL SHOWN



- NOTES:
- All linear dimensions are in inches (millimeters).
  - This drawing is subject to change without notice.
  - This package can be hermetically sealed with a metal lid.
  - The terminals will be gold plated.
  - Falls within JEDEC MS-004.

FK (S-CQCC-N\*\*)

LEADLESS CERAMIC CHIP CARRIER

28 TERMINAL SHOWN



NO. OF TERMINALS **	A		B	
	MIN	MAX	MIN	MAX
20	0.342 (8,69)	0.358 (9,09)	0.307 (7,80)	0.358 (9,09)
28	0.442 (11,23)	0.458 (11,63)	0.406 (10,31)	0.458 (11,63)
44	0.640 (16,26)	0.660 (16,76)	0.495 (12,58)	0.560 (14,22)
52	0.740 (18,78)	0.761 (19,32)	0.495 (12,58)	0.560 (14,22)
68	0.938 (23,83)	0.962 (24,43)	0.850 (21,6)	0.858 (21,8)
84	1.141 (28,99)	1.165 (29,59)	1.047 (26,6)	1.063 (27,0)



4040140/D 01/11

- NOTES:
- All linear dimensions are in inches (millimeters).
  - This drawing is subject to change without notice.
  - This package can be hermetically sealed with a metal lid.
  - Falls within JEDEC MS-004

## IMPORTANT NOTICE AND DISCLAIMER

TI PROVIDES TECHNICAL AND RELIABILITY DATA (INCLUDING DATASHEETS), DESIGN RESOURCES (INCLUDING REFERENCE DESIGNS), APPLICATION OR OTHER DESIGN ADVICE, WEB TOOLS, SAFETY INFORMATION, AND OTHER RESOURCES "AS IS" AND WITH ALL FAULTS, AND DISCLAIMS ALL WARRANTIES, EXPRESS AND IMPLIED, INCLUDING WITHOUT LIMITATION ANY IMPLIED WARRANTIES OF MERCHANTABILITY, FITNESS FOR A PARTICULAR PURPOSE OR NON-INFRINGEMENT OF THIRD PARTY INTELLECTUAL PROPERTY RIGHTS.

These resources are intended for skilled developers designing with TI products. You are solely responsible for (1) selecting the appropriate TI products for your application, (2) designing, validating and testing your application, and (3) ensuring your application meets applicable standards, and any other safety, security, or other requirements. These resources are subject to change without notice. TI grants you permission to use these resources only for development of an application that uses the TI products described in the resource. Other reproduction and display of these resources is prohibited. No license is granted to any other TI intellectual property right or to any third party intellectual property right. TI disclaims responsibility for, and you will fully indemnify TI and its representatives against, any claims, damages, costs, losses, and liabilities arising out of your use of these resources.

TI's products are provided subject to TI's Terms of Sale ([www.ti.com/legal/termsofsale.html](http://www.ti.com/legal/termsofsale.html)) or other applicable terms available either on [ti.com](http://ti.com) or provided in conjunction with such TI products. TI's provision of these resources does not expand or otherwise alter TI's applicable warranties or warranty disclaimers for TI products.

Mailing Address: Texas Instruments, Post Office Box 655303, Dallas, Texas 75265  
Copyright © 2020, Texas Instruments Incorporated