

Registered Combinatorial EPLD

Features

- 12 I/O macrocells each having:
 - Registered, latched, or transparent array input
 - A choice of two clock sources
 - Global or local output enable (OE)
 - Up to 19 product terms (PTs) per output
 - Product term (PT) output polarity control
- 192 product terms with variable distribution to macrocells
 - An average of 14 PTs per macrocell sum node
- Two clock inputs with configurable polarity control

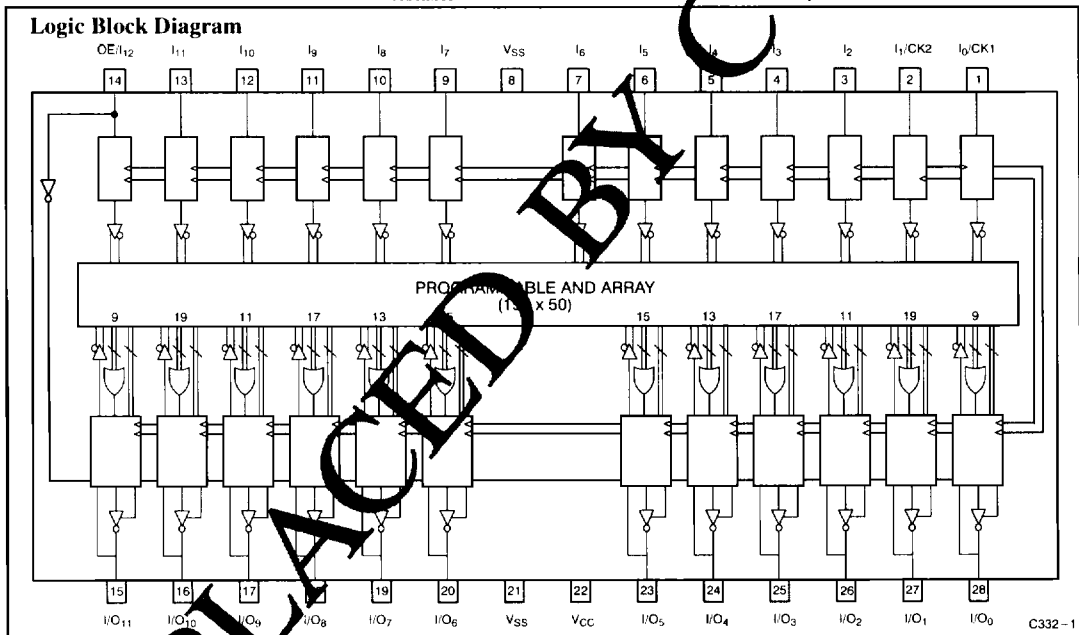
- 13 input macrocells, each having:
 - Complementary input
 - Register, latch, or transparent access
 - Two clock sources
- 15 ns t_{pp} max.
- Low power
 - 120 mA typical I_{CC} quiescent
 - 180 mA max.
 - Power-saving "Miser Bit" feature
- Security fuse
- 28-pin slim-line package; also available in 28-pin PLCC
- UV-erasable and reprogrammable
- Programming and operation 100% testable

Functional Description

The CY7C332 is a versatile combinatorial PLD with I/O registers on-board. There are 25 array inputs; each is a macrocell that may be configured as a register, latch, or simple buffer. Outputs have polarity and three-state control product terms. The allocation of product terms to I/O macrocells is varied so that functions of up to 19 product terms can be accommodated.

I/O Resources

Pins 1 through 7 and 9 through 14 function as dedicated array inputs. Pins 1 and 2 function as input clocks as well as normal array inputs. Pins 14 functions as a global output enable and all as a normal input.

2

Selection Guide

Generic Part Number	I_{CC1} (mA)		t_{CO}/t_{pp} (ns)		t_{IS} (ns)	
	Commercial	Military	Commercial	Military	Commercial	Military
7C332-15	130		18/15		3	
7C332-20	120	160	20	23/20	3	4
7C332-25	120	150	25	25	3	4
7C332-30		150		30		4

Document #: 38-00067-F