

27C512A

512K (64K x 8) CMOS EPROM

FEATURES

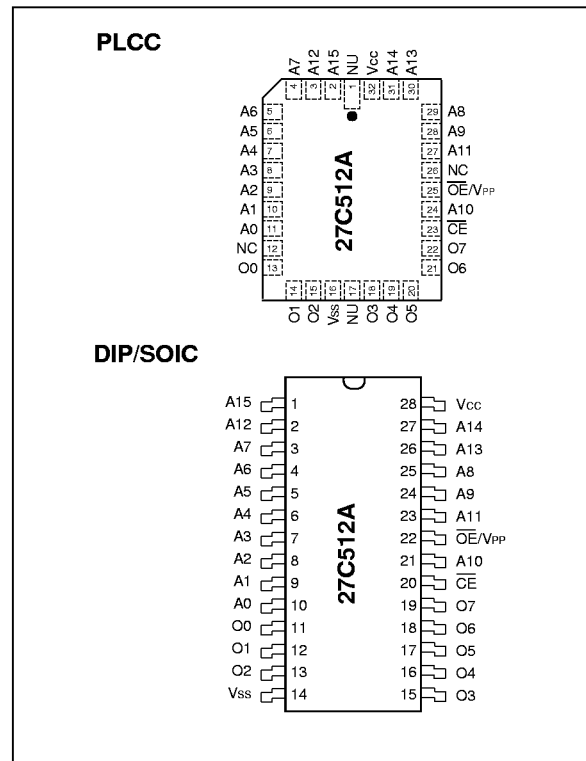
- High speed performance
- CMOS Technology for low power consumption
 - 25 mA Active current
 - 30 μ A Standby current
- Factory programming available
- Auto-insertion-compatible plastic packages
- Auto ID aids automated programming
- High speed express programming algorithm
- Organized 64K x 8: JEDEC standard pinouts
 - 28-pin Dual-in-line package
 - 32-pin PLCC Package
 - 28-pin SOIC package
 - Tape and reel
- Data Retention > 200 years
- Available for the following temperature ranges
 - Commercial: 0°C to +70°C
 - Industrial: -40°C to +85°C
 - Automotive: -40°C to +125°C

DESCRIPTION

The Microchip Technology Inc. 27C512A is a CMOS 512K bit electrically Programmable Read Only Memory (EPROM). The device is organized into 64K words by 8 bits (64K bytes). Accessing individual bytes from an address transition or from power-up (chip enable pin going low) is accomplished in less than 90 ns. This very high speed device allows the most sophisticated microprocessors to run at full speed without the need for WAIT states. CMOS design and processing enables this part to be used in systems where reduced power consumption and high reliability are requirements.

A complete family of packages is offered to provide the most flexibility in applications. For surface mount applications, PLCC or SOIC packaging is available. Tape or reel packaging is also available for PLCC or SOIC packages.

PACKAGE TYPES



1.0 ELECTRICAL CHARACTERISTICS

1.1 Maximum Ratings*

VCC and input voltages w.r.t. VSS -0.6V to +7.25V

VPP voltage w.r.t. VSS during programming -0.6V to +14V

Voltage on A9 w.r.t. VSS..... -0.6V to +13.5V

Output voltage w.r.t. VSS.....-0.6V to VCC +1.0V

Storage temperature -65°C to +150°C

Ambient temp. with power applied..... -65°C to +125°C

*Notice: Stresses above those listed under "Maximum Ratings" may cause permanent damage to the device. This is a stress rating only and functional operation of the device at those or any other conditions above those indicated in the operation listings of this specification is not implied. Exposure to maximum rating conditions for extended periods may affect device reliability.

TABLE 1-1: PIN FUNCTION TABLE

Name	Function
A0-A15	Address Inputs
\overline{CE}	Chip Enable
\overline{OE}/V_{PP}	Output Enable/Programming Voltage
O0 - O7	Data Output
VCC	+5V Power Supply
VSS	Ground
NC	No Connection; No Internal Connection
NU	Not Used; No External Connection is Allowed

TABLE 1-2: READ OPERATION DC CHARACTERISTICS

VCC = +5V ±10% Commercial: Tamb = 0°C to +70°C Industrial: Tamb = -40°C to +85°C Extended (Automotive): Tamb = -40°C to +125°C							
Parameter	Part*	Status	Symbol	Min	Max	Units	Conditions
Input Voltages	all	Logic "1" Logic "0"	V _{IH} V _{IL}	2.0 -0.5	V _{CC} +1 0.8	V V	
Input Leakage	all		I _{LI}	-10	10	µA	V _{IN} = 0 to V _{CC}
Output Voltages	all	Logic "1" Logic "0"	V _{OH} V _{OL}	2.4	0.45	V V	I _{OH} = -400 µA I _{OL} = 2.1 mA
Output Leakage	all	—	I _{LO}	-10	10	µA	V _{OUT} = 0V to V _{CC}
Input Capacitance	all	—	C _{IN}	—	6	pF	V _{IN} = 0V; Tamb = 25°C; f = 1 MHz
Output Capacitance	all	—	C _{OUT}	—	12	pF	V _{OUT} = 0V; Tamb = 25°C; f = 1 MHz
Power Supply Current, Active	C I, E	TTL input TTL input	I _{CC} I _{CC}	— —	25 35	mA mA	V _{CC} = 5.5V f = 1 MHz; $\overline{OE}/V_{PP} = \overline{CE} = V_{IL}$; I _{OUT} = 0 mA; V _{IL} = -0.1 to 0.8V; V _{IH} = 2.0 to V _{CC} ; Note 1
Power Supply Current, Standby	C I, E all	TTL input TTL input CMOS input	I _{CC(S)TLL} I _{CC(S)TLL} I _{CC(S)CMOS}	— — —	1 2 30	mA mA µA	$\overline{CE} = V_{CC} \pm 0.2V$

* Parts: C=Commercial Temperature Range; I, E=Industrial and Extended Temperature Ranges

Note 1: Typical active current increases .75 mA per MHz up to operating frequency for all temperature ranges.

TABLE 1-3: READ OPERATION AC CHARACTERISTICS

AC Testing Waveform:		V _{IH} = 2.4V and V _{IL} = .45V; V _{OH} = 2.0V and V _{OL} = 0.8V									
Output Load:		1 TTL Load + 100 pF									
Input Rise and Fall Times:		10 ns									
Ambient Temperature:		Commercial:				T _{amb} = 0°C to +70°C					
		Industrial:				T _{amb} = -40°C to +85°C					
		Extended (Automotive):				T _{amb} = -40°C to +125°C					
Parameter	Sym	27C512-90*		27C512-10*		27C512-12		27C512-15		Units	Conditions
		Min	Max	Min	Max	Min	Max	Min	Max		
Address to Output Delay	t _{ACC}	—	90	—	100	—	120	—	150	ns	$\overline{CE} = \overline{OE}/V_{PP} = V_{IL}$
\overline{CE} to Output Delay	t _{CE}	—	90	—	100	—	120	—	150	ns	$\overline{OE}/V_{PP} = V_{IL}$
\overline{OE} to Output Delay	t _{OE}	—	40	—	40	—	50	—	60	ns	$\overline{CE} = V_{IL}$
\overline{OE} to Output High Impedance	t _{OFF}	0	35	0	35	0	40	0	45	ns	
Output Hold from Address, \overline{CE} or \overline{OE} / V _{PP} , whichever occurred first	t _{OH}	0	—	0	—	0	—	0	—	ns	

*90/10 AC Testing Waveforms: V_{IH} = 3.0V and V_{IL} = 0V; V_{OH} = 1.5V and V_{OL} = 1.5V
Output Load: 1 TTL Load + 30 pF

FIGURE 1-1: READ WAVEFORMS

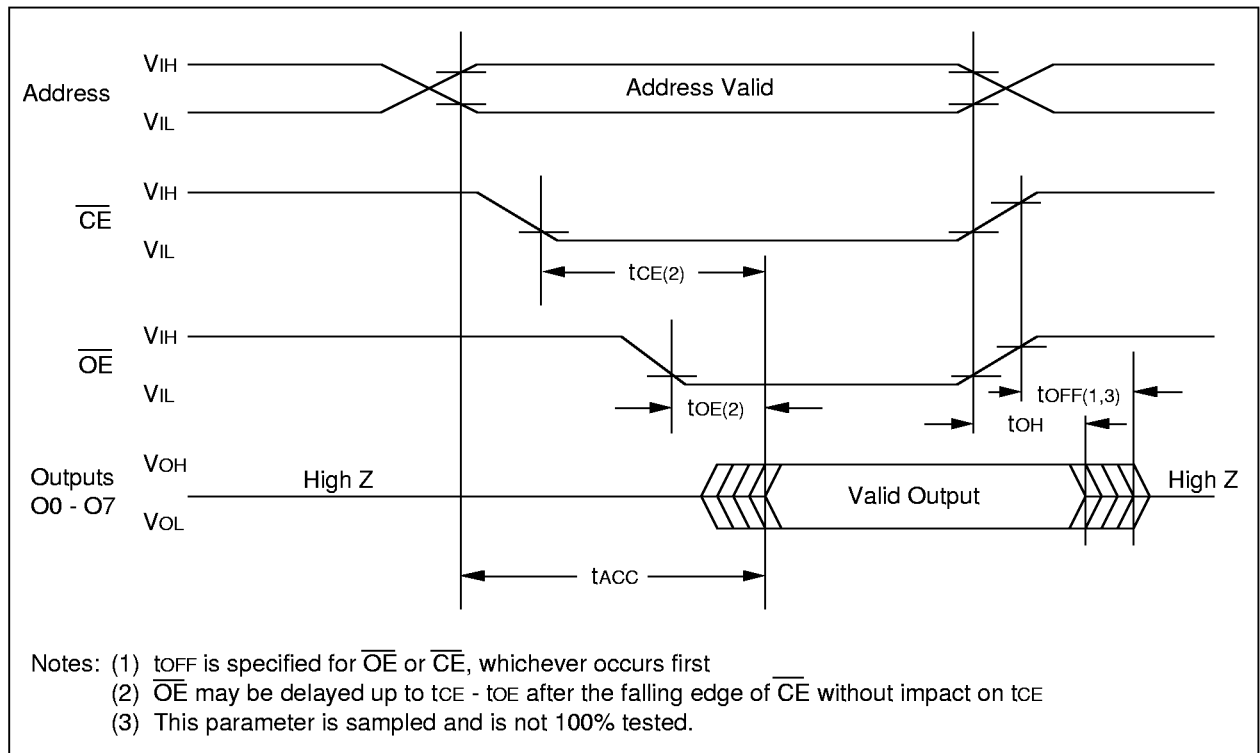


TABLE 1-4: PROGRAMMING DC CHARACTERISTICS

Ambient Temperature: $T_{amb} = 25^{\circ}\text{C} \pm 5^{\circ}\text{C}$ $V_{CC} = 6.5\text{V} \pm 0.25\text{V}$, $\overline{\text{OE}}/V_{PP} = V_H = 13.0\text{V} \pm 0.25\text{V}$						
Parameter	Status	Symbol	Min.	Max.	Units	Conditions (See Note 1)
Input Voltages	Logic "1"	V_{IH}	2.0	$V_{CC}+1$	V	
	Logic "0"	V_{IL}	-0.1	0.8	V	
Input Leakage	—	I_{LI}	-10	10	μA	$V_{IN} = 0\text{V to } V_{CC}$
Output Voltages	Logic "1"	V_{OH}	2.4		V	$I_{OH} = -400 \mu\text{A}$
	Logic "0"	V_{OL}	—	0.45	V	$I_{OL} = 2.1 \text{ mA}$
VCC Current, program & verify	—	I_{CC2}	—	35	mA	$\overline{\text{CE}} = V_{IL}$
$\overline{\text{OE}}/V_{PP}$ Current, program	—	I_{PP2}	—	25	mA	
A9 Product Identification	—	V_{ID}	11.5	12.5	V	

Note 1: V_{CC} must be applied simultaneously or before V_{PP} voltage on $\overline{\text{OE}}/V_{PP}$ and removed simultaneously or after the V_{PP} voltage on $\overline{\text{OE}}/V_{PP}$.

TABLE 1-5: PROGRAMMING AC CHARACTERISTICS

for Program, Program Verify and Program Inhibit Modes		AC Testing Waveform: $V_{IH}=2.4\text{V}$ and $V_{IL}=0.45\text{V}$; $V_{OH}=2.0\text{V}$; $V_{OL}=0.8\text{V}$ Ambient Temperature: $25^{\circ}\text{C} \pm 5^{\circ}\text{C}$ $V_{CC} = 6.5\text{V} \pm 0.25\text{V}$, $\overline{\text{OE}}/V_{PP} = V_H = 13.0\text{V} \pm 0.25\text{V}$				
Parameter	Symbol	Min.	Max.	Units	Remarks	
Address Set-Up Time	tAS	2	—	μs		
Data Set-Up Time	tDS	2	—	μs		
Data Hold Time	tDH	2	—	μs		
Address Hold Time	tAH	0	—	μs		
Float Delay (2)	tDF	0	130	ns		
VCC Set-Up Time	tVCS	2	—	μs		
Program Pulse Width (1)	tPW	95	105	μs	100 μs typical	
$\overline{\text{CE}}$ Set-Up Time	tCES	2	—	μs		
$\overline{\text{OE}}$ Set-Up Time	tOES	2	—	μs		
$\overline{\text{OE}}$ Hold Time	tOEH	2	—	μs		
$\overline{\text{OE}}$ Recovery Time	tOR	2	—	μs		
$\overline{\text{OE}}/V_{PP}$ Rise Time During Programming	tPRT	50	—	ns		

Note 1: For express algorithm, initial programming width tolerance is 100 $\mu\text{s} \pm 5\%$.

2: This parameter is only sampled and not 100% tested. Output float is defined as the point where data is no longer driven (see timing diagram).

FIGURE 1-2: PROGRAMMING WAVEFORMS (1)

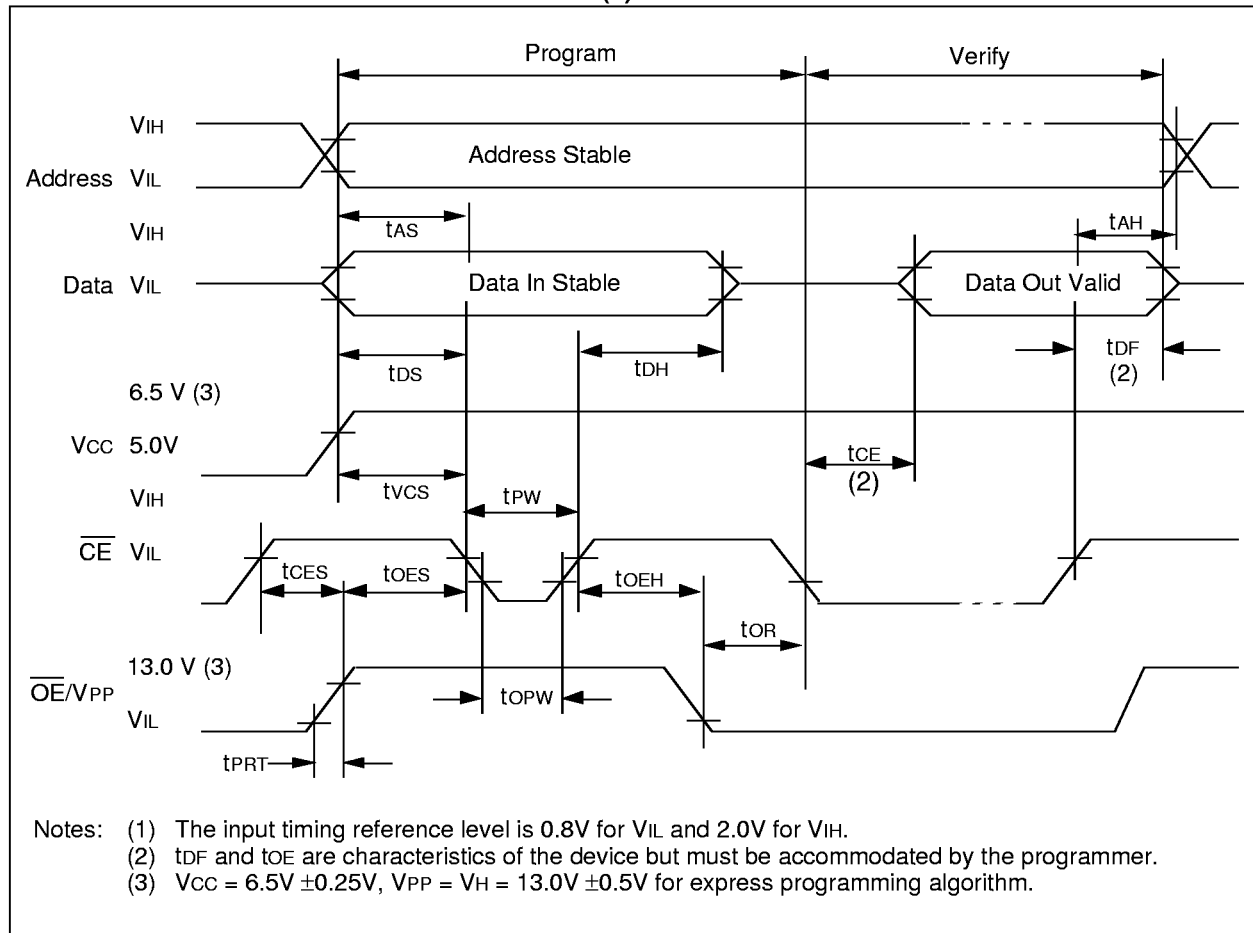


TABLE 1-6: MODES

Operation Mode	\overline{CE}	$\overline{OE/VPP}$	A9	O0 - O7
Read	VIL	VIL	X	DOUT
Program	VIL	VH	X	DIN
Program Verify	VIL	VIL	X	DOUT
Program Inhibit	VIH	VH	X	High Z
Standby	VIH	X	X	High Z
Output Disable	VIL	VIH	X	High Z
Identity	VIL	VIL	VH	Identity Code

X = Don't Care

1.2 Read Mode

(See Timing Diagrams and AC Characteristics)

Read Mode is accessed when

- the CE pin is low to power up (enable) the chip
- the OE/VPP pin is low to gate the data to the output pins

For Read operations, if the addresses are stable, the address access time (tACC) is equal to the delay from \overline{CE} to output (tCE). Data is transferred to the output after a delay (tOE) from the falling edge of $\overline{OE/VPP}$.

1.3 Standby Mode

The standby mode is entered when the \overline{CE} pin is high, and the program mode is not identified.

When this conditions are met, the supply current will drop from 25 mA to 30 μ A.

1.4 Output Enable \overline{OE}/VPP

This multifunction pin eliminates bus connection in multiple bus microprocessor systems and the outputs go to high impedance when:

- the \overline{OE}/VPP pin is high (V_{IH}).

When a V_H input is applied to this pin, it supplies the programming voltage (V_{PP}) to the device.

1.5 Erase Mode (UV Windowed Versions)

Windowed products offer the ability to erase the memory array. The memory matrix is erased to the all "1's" state as a result of being exposed to ultraviolet light. To ensure complete erasure, a dose of 15 watt-second/ cm^2 is required. This means that the device window must be placed within one inch and directly underneath an ultraviolet lamp with a wavelength of 2537 Angstroms, intensity of 12,000 mW/cm^2 for approximately 40 minutes.

1.6 Programming Mode

The Express algorithm must be used for best results. It has been developed to improve programming yields and throughput times in a production environment. Up to 10 100-microsecond pulses are applied until the byte is verified. A flowchart of the Express algorithm is shown in Figure 1-3.

Programming takes place when:

- V_{CC} is brought to the proper voltage,
- \overline{OE}/V_{PP} is brought to the proper V_H level, and
- \overline{CE} line is low.

Since the erased state is "1" in the array, programming of "0" is required. The address to be programmed is set via pins A0 - A15 and the data to be programmed is presented to pins O0 - O7. When data and address are stable, a low going pulse on the \overline{CE} line programs that location.

1.7 Verify

After the array has been programmed it must be verified to ensure all the bits have been correctly programmed. This mode is entered when all the following conditions are met:

- V_{CC} is at the proper level,
- the \overline{OE}/V_{PP} pin is low, and
- the \overline{CE} line is low.

1.8 Inhibit

When programming multiple devices in parallel with different data, only \overline{CE} needs to be under separate control to each device. By pulsing the \overline{CE} line low on a particular device, that device will be programmed; all other devices with \overline{CE} held high will not be programmed with the data (although address and data will be available on their input pins).

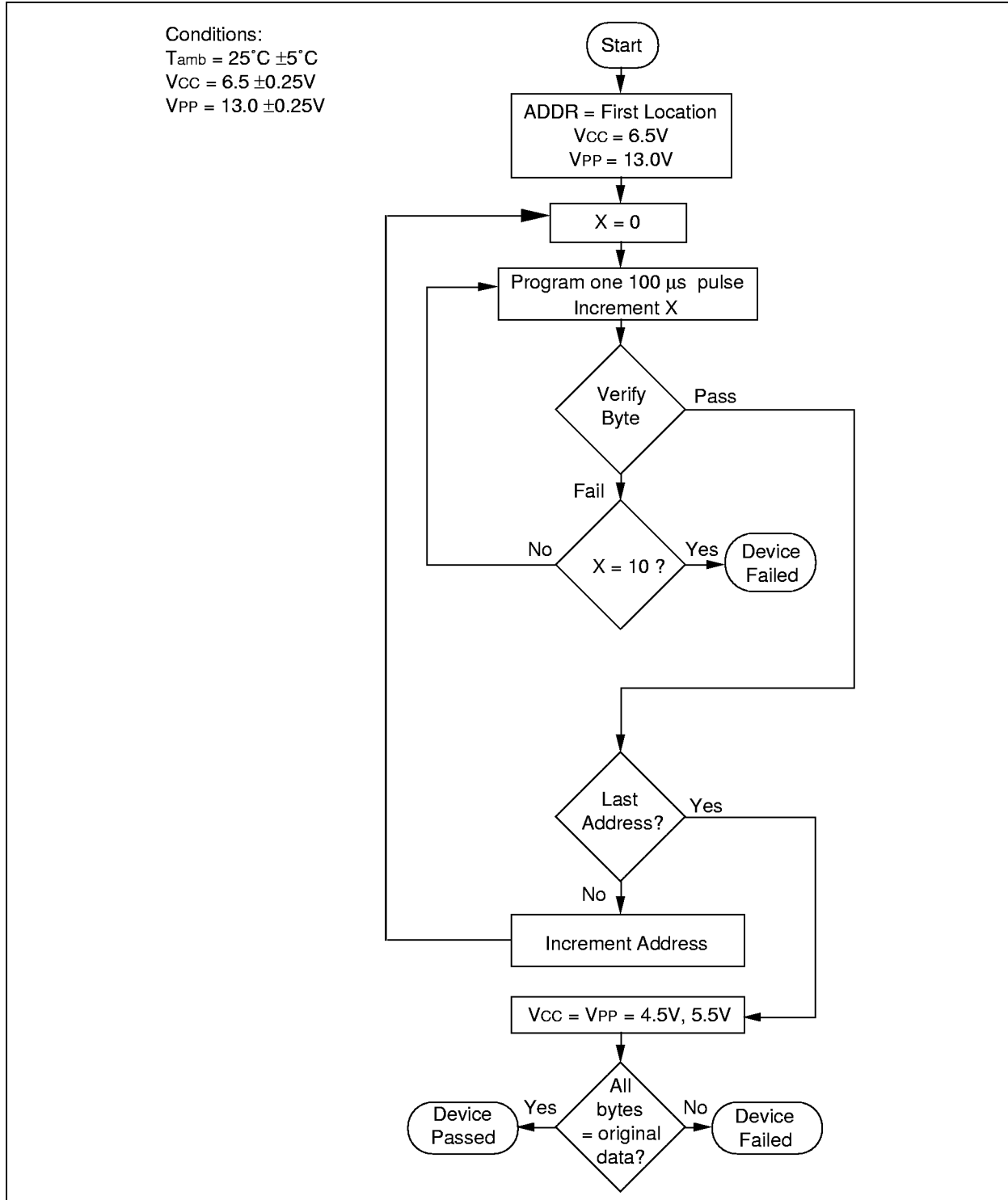
1.9 Identity Mode

In this mode specific data is output which identifies the manufacturer as Microchip Technology Inc. and the device type. This mode is entered when Pin A9 is taken to V_H (11.5V to 12.5V). The \overline{CE} and \overline{OE}/V_{PP} lines must be at V_{IL} . A0 is used to access any of the two non-erasable bytes whose data appears on O0 through O7.

Pin \rightarrow	Input	Output								
Identity \downarrow	A0	0	0	0	0	0	0	0	0	H e x
		7	6	5	4	3	2	1	0	
Manufacturer	V_{IL}	0	0	1	0	1	0	0	1	29
Device Type*	V_{IH}	1	0	0	0	1	1	0	0	0D

* Code subject to change

FIGURE 1-3: PROGRAMMING EXPRESS ALGORITHM



27C512A

NOTES:

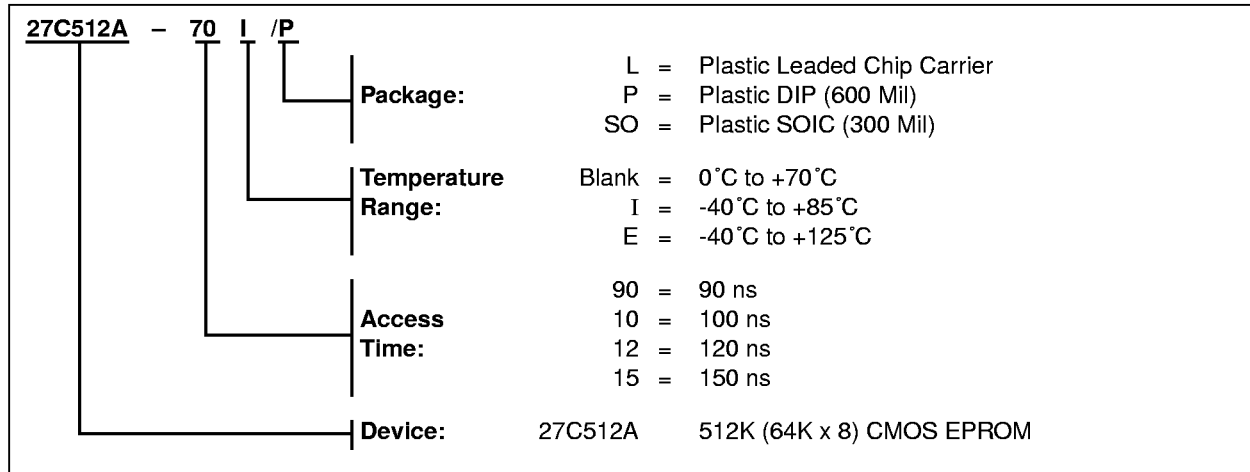
NOTES:

27C512A

NOTES:

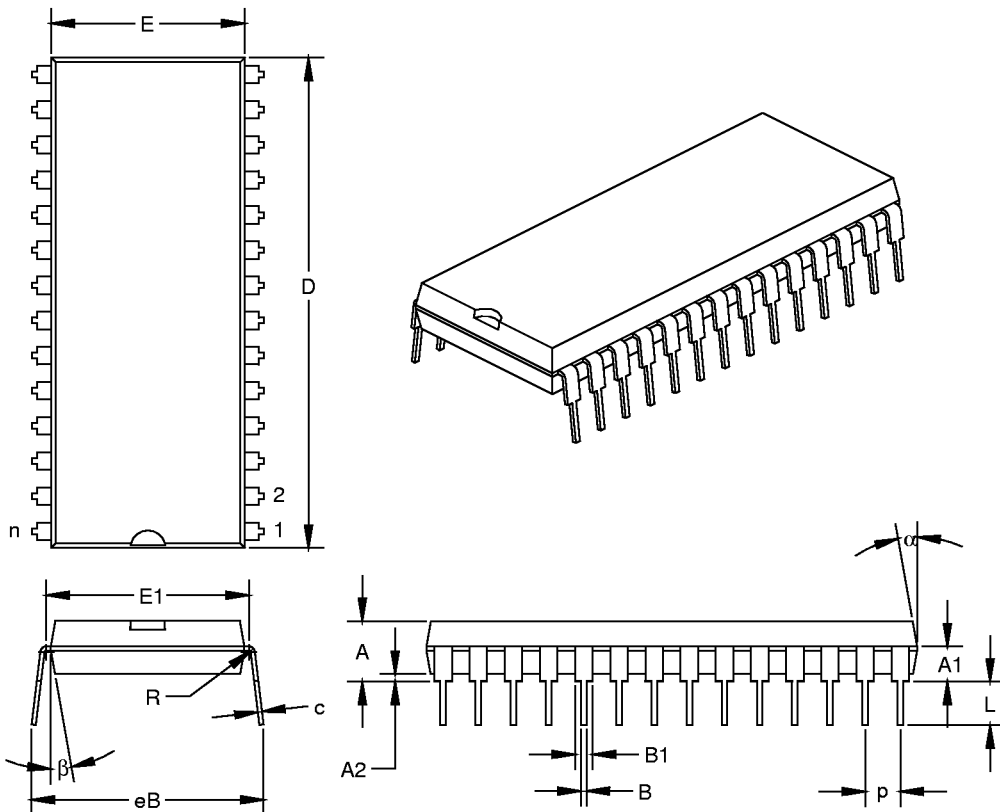
27C512A Product Identification System

To order or to obtain information (e.g., on pricing or delivery), please use listed part numbers, and refer to factory or listed sales offices.



Packaging Diagrams and Parameters

Package Type: K04-079 28-Lead Plastic Dual In-line (P) – 600 mil



Units		INCHES*			MILLIMETERS		
		MIN	NOM	MAX	MIN	NOM	MAX
Dimension Limits							
PCB Row Spacing			0.600			15.24	
Number of Pins	n		28			28	
Pitch	p		0.100			2.54	
Lower Lead Width	B	0.014	0.016	0.018	0.36	0.41	0.46
Upper Lead Width	B1 [†]	0.040	0.050	0.060	1.02	1.27	1.52
Shoulder Radius	R	0.000	0.005	0.010	0.00	0.13	0.25
Lead Thickness	c	0.008	0.012	0.015	0.20	0.29	0.38
Top to Seating Plane	A	0.160	0.173	0.185	4.06	4.38	4.70
Top of Lead to Seating Plane	A1	0.081	0.101	0.121	2.04	2.55	3.06
Base to Seating Plane	A2	0.015	0.023	0.030	0.38	0.57	0.76
Tip to Seating Plane	L	0.115	0.125	0.135	2.92	3.18	3.43
Package Length	D [‡]	1.380	1.395	1.465	35.05	35.43	37.20
Molded Package Width	E [‡]	0.505	0.550	0.555	12.80	13.97	14.10
Radius to Radius Width	E1	0.567	0.577	0.587	14.40	14.66	14.91
Overall Row Spacing	eB	0.640	0.660	0.680	16.26	16.76	17.27
Mold Draft Angle Top	α	5	10	15	5	10	15
Mold Draft Angle Bottom	β	5	10	15	5	10	15

* Controlling Parameter.

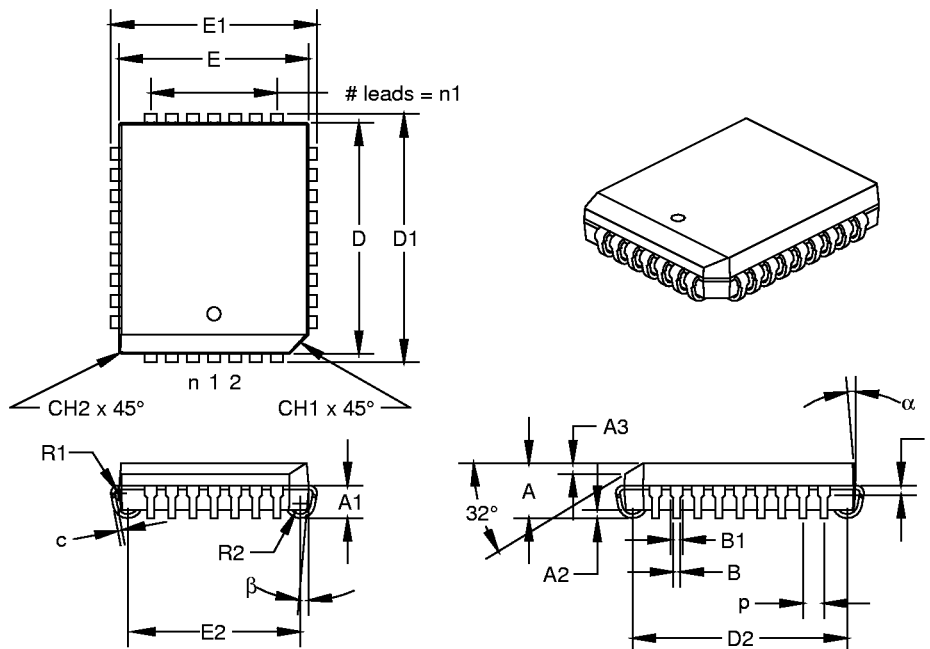
[†] Dimension "B1" does not include dam-bar protrusions. Dam-bar protrusions shall not exceed 0.003" (0.076 mm) per side or 0.006" (0.152 mm) more than dimension "B1."

[‡] Dimensions "D" and "E" do not include mold flash or protrusions. Mold flash or protrusions shall not exceed 0.010" (0.254 mm) per side or 0.020" (0.508 mm) more than dimensions "D" or "E."

JEDEC equivalent: MS-011 AB

Packaging Diagrams and Parameters

Package Type: K04-023 32-Lead Plastic Leaded Chip Carrier (L) – Rectangle



Units		INCHES*			MILLIMETERS		
Dimension Limits		MIN	NOM	MAX	MIN	NOM	MAX
Number of Pins	n		32			32	
Pitch	p		0.050			1.27	
Overall Pack. Height	A	0.127	0.131	0.135	3.23	3.33	3.43
Shoulder Height	A1	0.060	0.078	0.095	1.52	1.97	2.41
Standoff	A2	0.015	0.020	0.025	0.38	0.51	0.64
Side 1 Chamfer Dim.	A3	0.021	0.026	0.031	0.53	0.66	0.79
Corner Chamfer (1)	CH1	0.035	0.045	0.055	0.89	1.14	1.40
Corner Chamfer (other)	CH2	0.000	0.005	0.010	0.00	0.13	0.25
Overall Pack. Width	E1	0.485	0.490	0.495	12.32	12.45	12.57
Overall Pack. Length	D1	0.585	0.590	0.595	14.86	14.99	15.11
Molded Pack. Width	E [‡]	0.447	0.450	0.453	11.35	11.43	11.51
Molded Pack. Length	D [‡]	0.547	0.550	0.553	13.89	13.97	14.05
Footprint Width	E2	0.380	0.410	0.440	9.65	10.41	11.18
Footprint Length	D2	0.480	0.510	0.540	12.19	12.95	13.72
Pins along Width	n1		7			7	
Lead Thickness	c	0.008	0.010	0.012	0.20	0.25	0.30
Upper Lead Width	B1 [†]	0.026	0.029	0.032	0.66	0.74	0.81
Lower Lead Width	B	0.013	0.017	0.021	0.33	0.43	0.53
Upper Lead Length	L	0.010	0.020	0.030	0.25	0.51	0.76
Shoulder Inside Radius	R1	0.003	0.008	0.013	0.08	0.20	0.33
J-Bend Inside Radius	R2	0.020	0.025	0.030	0.51	0.64	0.76
Mold Draft Angle Top	α	0	5	10	0	5	10
Mold Draft Angle Bottom	β	0	5	10	0	5	10

* Controlling Parameter.

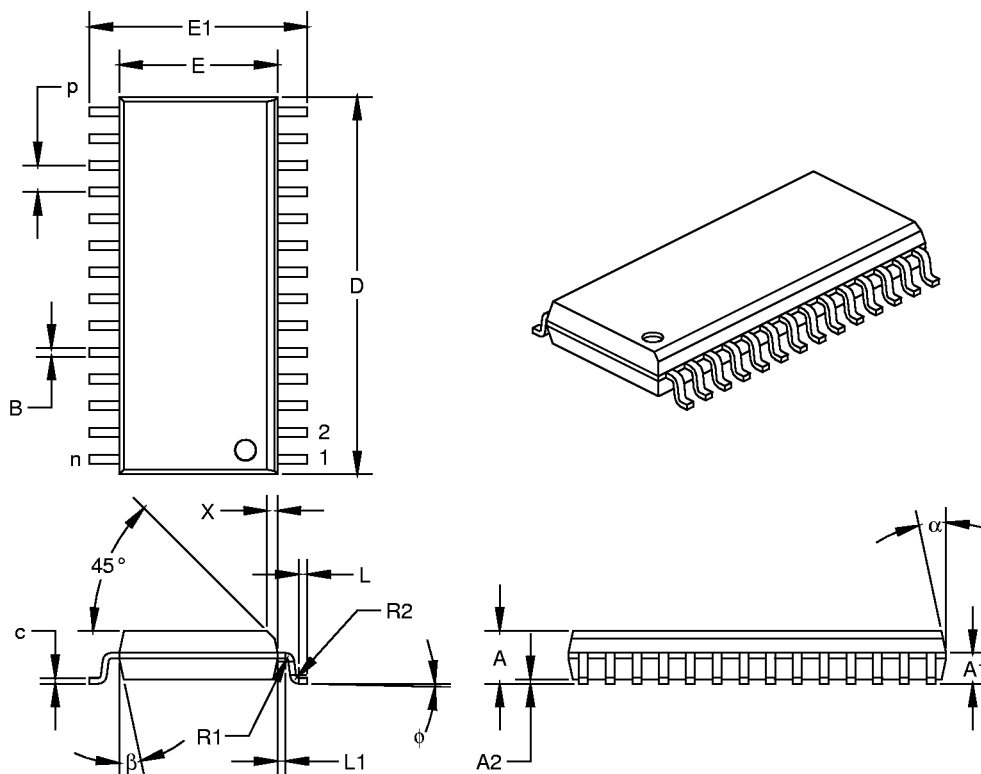
† Dimension "B1" does not include dam-bar protrusions. Dam-bar protrusions shall not exceed 0.003" (0.076 mm) per side or 0.006" (0.152 mm) more than dimension "B1."

‡ Dimensions "D" and "E" do not include mold flash or protrusions. Mold flash or protrusions shall not exceed 0.010" (0.254 mm) per side or 0.020" (0.508 mm) more than dimensions "D" or "E."

JEDEC equivalent: MS-016 AE

Packaging Diagrams and Parameters

Package Type: K04-052 28-Lead Plastic Small Outline (SO) – Wide, 300 mil



Units		INCHES*			MILLIMETERS		
		MIN	NOM	MAX	MIN	NOM	MAX
Dimension Limits							
Pitch	p		0.050			1.27	
Number of Pins	n		28			28	
Overall Pack. Height	A	0.093	0.099	0.104	2.36	2.50	2.64
Shoulder Height	A1	0.048	0.058	0.068	1.22	1.47	1.73
Standoff	A2	0.004	0.008	0.011	0.10	0.19	0.28
Molded Package Length	D [‡]	0.700	0.706	0.712	17.78	17.93	18.08
Molded Package Width	E [‡]	0.292	0.296	0.299	7.42	7.51	7.59
Outside Dimension	E1	0.394	0.407	0.419	10.01	10.33	10.64
Chamfer Distance	X	0.010	0.020	0.029	0.25	0.50	0.74
Shoulder Radius	R1	0.005	0.005	0.010	0.13	0.13	0.25
Gull Wing Radius	R2	0.005	0.005	0.010	0.13	0.13	0.25
Foot Length	L	0.011	0.016	0.021	0.28	0.41	0.53
Foot Angle	φ	0	4	8	0	4	8
Radius Centerline	L1	0.010	0.015	0.020	0.25	0.38	0.51
Lead Thickness	c	0.009	0.011	0.012	0.23	0.27	0.30
Lower Lead Width	B [†]	0.014	0.017	0.019	0.36	0.42	0.48
Mold Draft Angle Top	α	0	12	15	0	12	15
Mold Draft Angle Bottom	β	0	12	15	0	12	15

* Controlling Parameter.

† Dimension "B" does not include dam-bar protrusions. Dam-bar protrusions shall not exceed 0.003" (0.076 mm) per side or 0.006" (0.152 mm) more than dimension "B."

‡ Dimensions "D" and "E" do not include mold flash or protrusions. Mold flash or protrusions shall not exceed 0.010" (0.254 mm) per side or 0.020" (0.508 mm) more than dimensions "D" or "E."

JEDEC equivalent: MS-013 AE