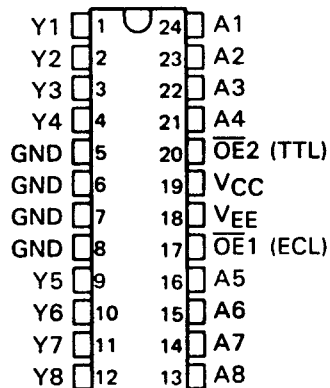


# SN100KT5542, SN100KT5543 OCTAL TTL-TO-ECL TRANSLATORS WITH OUTPUT ENABLE

SDZS002A – D3134, AUGUST 1988 – REVISED JANUARY 1989

- 100K Compatible
- ECL and TTL Control Inputs
- P-N-P Inputs Reduce DC Loading
- New Flow-Through Architecture to Optimize PCB Layout
- Center-Pin VCC, VEE and GND Configurations to Minimize High-Speed Switching Noise
- ESD Protection Exceeds 2000 V, MIL-STD-883C Method 3015
- Package Options Include "Small Outline" Packages and Standard Plastic 300-mil DIPs

DW, OR NT PACKAGE  
(TOP VIEW)



## description

These octal TTL-to-ECL translators are designed to provide an efficient translation function between a TTL signal environment to a 100K ECL signal environment. The designer has a choice of inverting ('5542) or true ('5543) outputs. Two pins,  $\overline{OE1}$  and  $\overline{OE2}$ , are allowed for output enable control. These control inputs are ORed together with  $\overline{OE1}$  being ECL compatible and  $\overline{OE2}$  being TTL compatible. This offers the choice of controlling the outputs of the device from either a TTL or ECL signal environment. The outputs, when disabled, go to a normal ECL logic low level.

The SN100KT5542 and SN100KT5543 are characterized for operation from 0°C to 85°C.

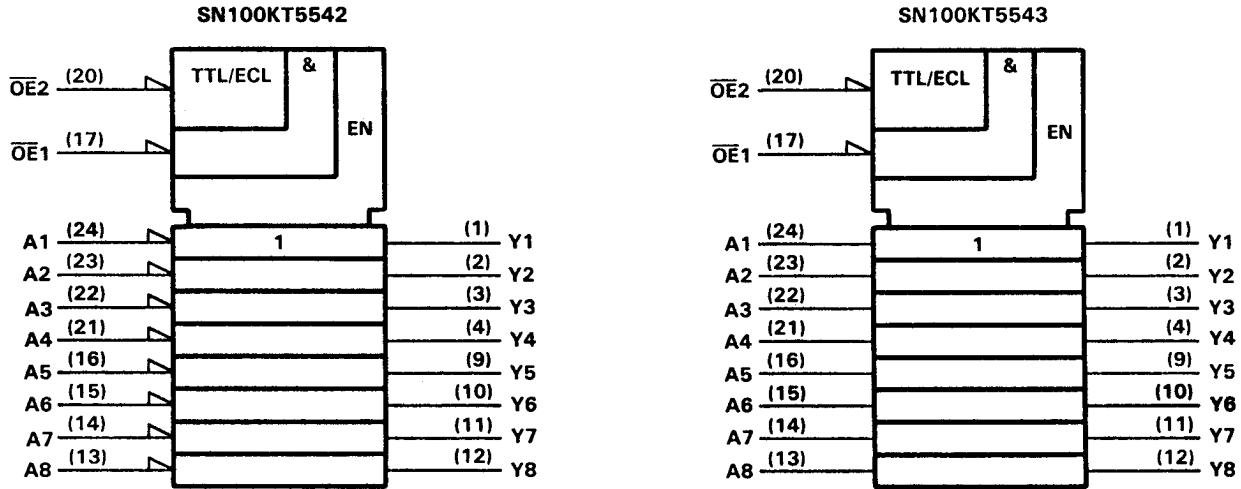
FUNCTION TABLE

OUTPUT CONTROL		DATA INPUT	OUTPUT	
$\overline{OE1}$	$\overline{OE2}$	A	'5542	'5543
H	X	X	L	L
X	H	X	L	L
L	L	L	H	L
L	L	H	L	H

# SN100KT5542, SN100KT5543 OCTAL TTL-TO-ECL TRANSLATORS WITH OUTPUT ENABLE

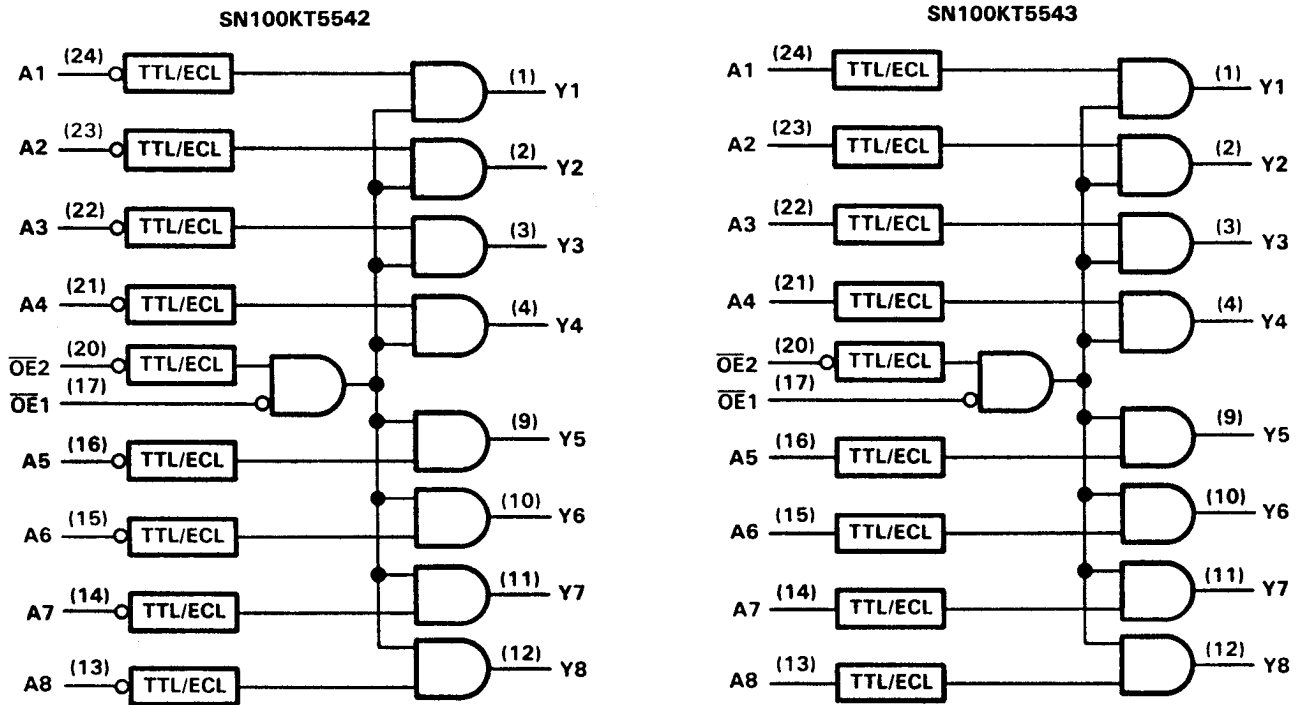
SDZS002A – D3134, AUGUST 1988 – REVISED JANUARY 1989

## logic symbols†



†These symbols are in accordance with ANSI/IEEE Std 91-1984 and IEC Publication 617-12.

## logic diagrams (positive logic)



POST OFFICE BOX 655303 • DALLAS, TEXAS 75265

# SN100KT5542, SN100KT5543 OCTAL TTL-TO-ECL TRANSLATORS WITH OUTPUT ENABLE

SDZS002A – D3134, AUGUST 1988 – REVISED JANUARY 1989

## absolute maximum ratings over operating ambient temperature range (unless otherwise noted)<sup>†</sup>

Supply voltage, $V_{CC}$ .....	–0.5 V to 7 V
Supply voltage, $V_{EE}$ .....	–8 V to 0 V
Input voltage (TTL) (See Note 1) .....	–1.2 V to 7 V
Input voltage (ECL) .....	$V_{EE}$ to 0 V
Input current (TTL) .....	–30 mA to 5 mA
Operating ambient temperature range .....	0°C to 85°C
Storage temperature range .....	–65°C to 150°C

<sup>†</sup>Stresses beyond those listed under "absolute maximum ratings" may cause permanent damage to the device. These are stress ratings only, and functional operation of the device at these or any other conditions beyond those indicated under "recommended operating conditions" is not implied. Exposure to absolute-maximum-rated conditions for extended periods may affect device reliability.

NOTE 1: The input voltage ratings may be exceeded provided the input current ratings are observed.

## recommended operating conditions (see Note 2)

	MIN	NOM	MAX	UNIT
$V_{CC}$ TTL Supply voltage	4.5	5	5.5	V
$V_{EE}$ ECL Supply voltage	–4.2	–4.5	–4.8	V
$V_{IH}$ TTL High-level input voltage	2			V
$V_{IL}$ TTL Low-level input voltage			0.8	V
$V_{IH}$ ECL High-level input voltage <sup>‡</sup>	–1150		–840	mV
$V_{IL}$ ECL Low-level input voltage <sup>‡</sup>	–1810		–1490	mV
$I_{IK}$ TTL Input clamp current			–18	mA
$T_A$ Operating ambient temperature (see Note 3)	0		85	°C

<sup>‡</sup>The algebraic convention, in which the least positive (most negative) value is designated minimum, is used in this data sheet for logic voltage levels only.

NOTES: 2. If unused,  $\overline{OE}1$  should be tied directly to –2 V.

3. Each 100KT series circuit has been designed to meet the dc specifications shown in the test table after thermal equilibrium has been established. The circuit is in a test socket or mounted on a printed circuit board and transverse air flow greater than 500 linear ft/min is maintained.



# SN100KT5542, SN100KT5543

## OCTAL TTL-TO-ECL TRANSLATORS WITH OUTPUT ENABLE

SDZS002A – D3134, AUGUST 1988 – REVISED JANUARY 1989

electrical characteristics over recommended operating ambient temperature range (unless otherwise noted) (see Note 3)

		PARAMETER	MIN	TYP <sup>†</sup>	MAX	UNIT
V <sub>IK</sub>	A inputs and $\overline{OE}2$	V <sub>CC</sub> = 4.5 V, V <sub>EE</sub> = -4.2 V, I <sub>I</sub> = -18 mA			-1.2	V
I <sub>I</sub>	A inputs and $\overline{OE}2$	V <sub>CC</sub> = 5.5 V, V <sub>EE</sub> = -4.8 V, V <sub>I</sub> = 7 V			0.1	mA
I <sub>IH</sub>	A inputs and $\overline{OE}2$	V <sub>CC</sub> = 5.5 V, V <sub>EE</sub> = -4.8 V, V <sub>I</sub> = 2.7 V			20	μA
I <sub>IL</sub>	A inputs and $\overline{OE}2$	V <sub>CC</sub> = 5.5 V, V <sub>EE</sub> = -4.8 V, V <sub>I</sub> = 0.5 V			-0.50	mA
I <sub>IH</sub>	$\overline{OE}1$ only	V <sub>CC</sub> = 5.5 V, V <sub>EE</sub> = -4.8 V, V <sub>I</sub> = -840 mV			350	μA
I <sub>IL</sub>	$\overline{OE}1$ only	V <sub>CC</sub> = 5.5 V, V <sub>EE</sub> = -4.8 V, V <sub>I</sub> = -1810 mV	0.50			μA
V <sub>OH</sub> <sup>‡</sup>		V <sub>CC</sub> = 4.5 V, V <sub>EE</sub> = -4.5 V ± 0.3 V (see Note 4)	-1020		-840	mV
V <sub>OL</sub> <sup>‡</sup>		V <sub>CC</sub> = 4.5 V, V <sub>EE</sub> = -4.5 V ± 0.3 V (see Note 4)	-1810		-1605	mV
I <sub>CCH</sub>		V <sub>CC</sub> = 5.5 V, V <sub>EE</sub> = -4.8 V		14	22	mA
I <sub>CCL</sub>		V <sub>CC</sub> = 5.5 V, V <sub>EE</sub> = -4.8 V		16	25	mA
I <sub>EE</sub>		V <sub>CC</sub> = 5.5 V, V <sub>EE</sub> = -4.8 V		-67	-106	mA
C <sub>i</sub>		V <sub>CC</sub> = 5 V, V <sub>EE</sub> = -4.5 V, F = 10 MHz		5		pF

switching characteristics over recommended ranges of operating ambient temperature and supply voltage (unless otherwise noted) (see Figure 1 and Note 4)

PARAMETER	FROM (INPUT)	TO (OUTPUT)	MIN	TYP <sup>†</sup>	MAX	UNIT
t <sub>PLH</sub>	Any A	Y	0.1	1.6	3.6	ns
t <sub>PHL</sub>			0.1	1.4	3	
t <sub>PLH</sub>	$\overline{OE}1$ (ECL)	Y	0.8	2.7	4.6	ns
t <sub>PHL</sub>			0.5	2.4	4.3	
t <sub>PLH</sub>	$\overline{OE}2$ (TTL)	Y	0.8	2.5	5.1	ns
t <sub>PHL</sub>			0.7	2.3	4.3	
t <sub>r</sub>		Y	1.5			ns
t <sub>f</sub>			1.5			

<sup>†</sup>All typical values are at V<sub>CC</sub> = 5 V, V<sub>EE</sub> = -4.5 V, T<sub>A</sub> = 25°C.

<sup>‡</sup>The algebraic convention, in which the least positive (most negative) value is designated minimum, is used in this data sheet for logic voltage levels and temperature only.

NOTES: 3. Each 100KT series circuit has been designed to meet the dc specifications shown in the electrical characteristics table after thermal equilibrium has been established. The circuit is in a test socket or mounted on a printed circuit board and transverse air flow greater than 500 linear ft/min is maintained.

4. Outputs are terminated through a 50-Ω resistor to -2 V.

# SN100KT5542, SN100KT5543

## OCTAL TTL-TO-ECL TRANSLATORS WITH OUTPUT ENABLE

SDZS002A – D3134, AUGUST 1988 – REVISED JANUARY 1989

electrical characteristics over recommended operating ambient temperature range (unless otherwise noted) (see Note 3)

		PARAMETER	MIN	TYP†	MAX	UNIT
$V_{IK}$	A inputs and $\overline{OE}2$	$V_{CC} = 4.5\text{ V}, V_{EE} = -4.2\text{ V}, I_I = -18\text{ mA}$			-1.2	V
$I_I$	A inputs and $\overline{OE}2$	$V_{CC} = 5.5\text{ V}, V_{EE} = -4.8\text{ V}, V_I = 7\text{ V}$			0.1	mA
$I_{IH}$	A inputs and $\overline{OE}2$	$V_{CC} = 5.5\text{ V}, V_{EE} = -4.8\text{ V}, V_I = 2.7\text{ V}$			20	$\mu\text{A}$
$I_{IL}$	A inputs and $\overline{OE}2$	$V_{CC} = 5.5\text{ V}, V_{EE} = -4.8\text{ V}, V_I = 0.5\text{ V}$			-0.50	mA
$I_{IH}$	$\overline{OE}1$ only	$V_{CC} = 5.5\text{ V}, V_{EE} = -4.8\text{ V}, V_I = -840\text{ mV}$			350	$\mu\text{A}$
$I_{IL}$	$\overline{OE}1$ only	$V_{CC} = 5.5\text{ V}, V_{EE} = -4.8\text{ V}, V_I = -1810\text{ mV}$	0.50			$\mu\text{A}$
$V_{OH}^\ddagger$		$V_{CC} = 4.5\text{ V}, V_{EE} = -4.5\text{ V} \pm 0.3\text{ V}$ (see Note 4)	-1020		-840	mV
$V_{OL}^\ddagger$		$V_{CC} = 4.5\text{ V}, V_{EE} = -4.5\text{ V} \pm 0.3\text{ V}$ (see Note 4)	-1810		-1605	mV
$I_{CCH}$		$V_{CC} = 5.5\text{ V}, V_{EE} = -4.8\text{ V}$		17	25	mA
$I_{CCL}$		$V_{CC} = 5.5\text{ V}, V_{EE} = -4.8\text{ V}$		15	21	mA
$I_{EE}$		$V_{CC} = 5.5\text{ V}, V_{EE} = -4.2\text{ V}$		-72	-104	mA
$C_i$		$V_{CC} = 5\text{ V}, V_{EE} = -4.5\text{ V}, F = 10\text{ MHz}$		5		pF

switching characteristics over recommended ranges of operating ambient temperature and supply voltage (unless otherwise noted) (see Figure 1 and Note 4)

PARAMETER	FROM (INPUT)	TO (OUTPUT)	MIN	TYP†	MAX	UNIT
$t_{PLH}$	Any A	Y	0.1	1.3	3.2	ns
$t_{PHL}$			0.1	1.5	3.6	
$t_{PLH}$	$\overline{OE}1$ (ECL)	Y	0.5	2.1	4.4	ns
$t_{PHL}$			0.8	2.3	4.4	
$t_{PLH}$	$\overline{OE}2$ (TTL)	Y	0.6	2.2	4.5	ns
$t_{PHL}$			0.7	2.5	4.6	
$t_r$		Y		1.5		ns
$t_f$				1.5		

†All typical values are at  $V_{CC} = 5\text{ V}, V_{EE} = -4.5\text{ V}, T_A = 25^\circ\text{C}$ .

‡The algebraic convention, in which the least positive (most negative) value is designated minimum, is used in this data sheet for logic voltage levels and temperature only.

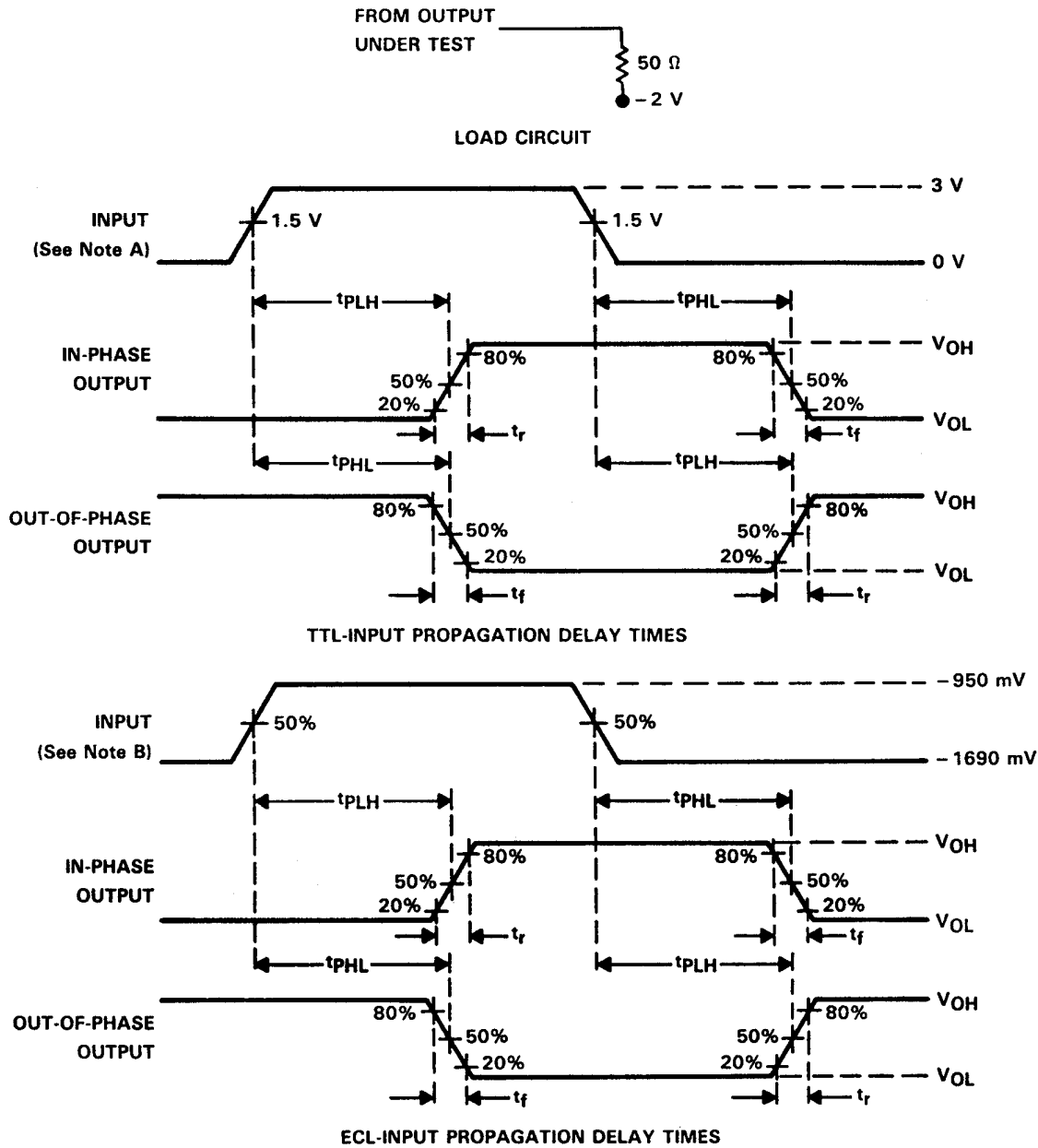
NOTES: 3. Each 100KT series circuit has been designed to meet the dc specifications shown in the electrical characteristics table after thermal equilibrium has been established. The circuit is in a test socket or mounted on a printed circuit board and transverse air flow greater than 500 linear ft/min is maintained.

4. Outputs are terminated through a 50- $\Omega$  resistor to -2 V.

# SN100KT5542, SN100KT5543 OCTAL TTL-TO-ECL TRANSLATORS WITH OUTPUT ENABLE

SDZS002A – D3134, AUGUST 1988 – REVISED JANUARY 1989

## PARAMETER MEASUREMENT INFORMATION



- NOTES: A. For TTL inputs, input pulses are supplied by generators having the following characteristics: PRR  $\leq$  10 MHz,  $Z_o = 50 \Omega$ ,  $t_r = 2.5$  ns,  $t_f = 2.5$  ns.  
 B. For ECL inputs, input pulses are supplied by generators having the following characteristics: PRR  $\leq$  10 MHz,  $Z_o = 50 \Omega$ ,  $t_r = 0.7$  ns,  $t_f = 0.7$  ns.  
 C. The outputs are measured one at a time with one input transition per measurement.

FIGURE 1. LOAD CIRCUIT AND VOLTAGE WAVEFORMS

**PACKAGING INFORMATION**

Orderable Device	Status <sup>(1)</sup>	Package Type	Package Drawing	Pins	Package Qty	Eco Plan <sup>(2)</sup>	Lead/Ball Finish	MSL Peak Temp <sup>(3)</sup>
SN100KT5542DW	OBSOLETE	SOIC	DW	24		TBD	Call TI	Call TI
SN100KT5542NT	OBSOLETE	PDIP	NT	24		TBD	Call TI	Call TI
SN100KT5543DW	OBSOLETE	SOIC	DW	24		TBD	Call TI	Call TI
SN100KT5543NT	OBSOLETE	PDIP	NT	24		TBD	Call TI	Call TI

<sup>(1)</sup> The marketing status values are defined as follows:

**ACTIVE:** Product device recommended for new designs.

**LIFEBUY:** TI has announced that the device will be discontinued, and a lifetime-buy period is in effect.

**NRND:** Not recommended for new designs. Device is in production to support existing customers, but TI does not recommend using this part in a new design.

**PREVIEW:** Device has been announced but is not in production. Samples may or may not be available.

**OBSOLETE:** TI has discontinued the production of the device.

<sup>(2)</sup> Eco Plan - The planned eco-friendly classification: Pb-Free (RoHS) or Green (RoHS & no Sb/Br) - please check <http://www.ti.com/productcontent> for the latest availability information and additional product content details.

**TBD:** The Pb-Free/Green conversion plan has not been defined.

**Pb-Free (RoHS):** TI's terms "Lead-Free" or "Pb-Free" mean semiconductor products that are compatible with the current RoHS requirements for all 6 substances, including the requirement that lead not exceed 0.1% by weight in homogeneous materials. Where designed to be soldered at high temperatures, TI Pb-Free products are suitable for use in specified lead-free processes.

**Green (RoHS & no Sb/Br):** TI defines "Green" to mean Pb-Free (RoHS compatible), and free of Bromine (Br) and Antimony (Sb) based flame retardants (Br or Sb do not exceed 0.1% by weight in homogeneous material)

<sup>(3)</sup> MSL, Peak Temp. -- The Moisture Sensitivity Level rating according to the JEDEC industry standard classifications, and peak solder temperature.

**Important Information and Disclaimer:**The information provided on this page represents TI's knowledge and belief as of the date that it is provided. TI bases its knowledge and belief on information provided by third parties, and makes no representation or warranty as to the accuracy of such information. Efforts are underway to better integrate information from third parties. TI has taken and continues to take reasonable steps to provide representative and accurate information but may not have conducted destructive testing or chemical analysis on incoming materials and chemicals. TI and TI suppliers consider certain information to be proprietary, and thus CAS numbers and other limited information may not be available for release.

In no event shall TI's liability arising out of such information exceed the total purchase price of the TI part(s) at issue in this document sold by TI to Customer on an annual basis.

## IMPORTANT NOTICE

Texas Instruments Incorporated and its subsidiaries (TI) reserve the right to make corrections, modifications, enhancements, improvements, and other changes to its products and services at any time and to discontinue any product or service without notice. Customers should obtain the latest relevant information before placing orders and should verify that such information is current and complete. All products are sold subject to TI's terms and conditions of sale supplied at the time of order acknowledgment.

TI warrants performance of its hardware products to the specifications applicable at the time of sale in accordance with TI's standard warranty. Testing and other quality control techniques are used to the extent TI deems necessary to support this warranty. Except where mandated by government requirements, testing of all parameters of each product is not necessarily performed.

TI assumes no liability for applications assistance or customer product design. Customers are responsible for their products and applications using TI components. To minimize the risks associated with customer products and applications, customers should provide adequate design and operating safeguards.

TI does not warrant or represent that any license, either express or implied, is granted under any TI patent right, copyright, mask work right, or other TI intellectual property right relating to any combination, machine, or process in which TI products or services are used. Information published by TI regarding third-party products or services does not constitute a license from TI to use such products or services or a warranty or endorsement thereof. Use of such information may require a license from a third party under the patents or other intellectual property of the third party, or a license from TI under the patents or other intellectual property of TI.

Reproduction of information in TI data books or data sheets is permissible only if reproduction is without alteration and is accompanied by all associated warranties, conditions, limitations, and notices. Reproduction of this information with alteration is an unfair and deceptive business practice. TI is not responsible or liable for such altered documentation.

Resale of TI products or services with statements different from or beyond the parameters stated by TI for that product or service voids all express and any implied warranties for the associated TI product or service and is an unfair and deceptive business practice. TI is not responsible or liable for any such statements.

Following are URLs where you can obtain information on other Texas Instruments products and application solutions:

<b>Products</b>		<b>Applications</b>	
Amplifiers	<a href="http://amplifier.ti.com">amplifier.ti.com</a>	Audio	<a href="http://www.ti.com/audio">www.ti.com/audio</a>
Data Converters	<a href="http://dataconverter.ti.com">dataconverter.ti.com</a>	Automotive	<a href="http://www.ti.com/automotive">www.ti.com/automotive</a>
DSP	<a href="http://dsp.ti.com">dsp.ti.com</a>	Broadband	<a href="http://www.ti.com/broadband">www.ti.com/broadband</a>
Interface	<a href="http://interface.ti.com">interface.ti.com</a>	Digital Control	<a href="http://www.ti.com/digitalcontrol">www.ti.com/digitalcontrol</a>
Logic	<a href="http://logic.ti.com">logic.ti.com</a>	Military	<a href="http://www.ti.com/military">www.ti.com/military</a>
Power Mgmt	<a href="http://power.ti.com">power.ti.com</a>	Optical Networking	<a href="http://www.ti.com/opticalnetwork">www.ti.com/opticalnetwork</a>
Microcontrollers	<a href="http://microcontroller.ti.com">microcontroller.ti.com</a>	Security	<a href="http://www.ti.com/security">www.ti.com/security</a>
		Telephony	<a href="http://www.ti.com/telephony">www.ti.com/telephony</a>
		Video & Imaging	<a href="http://www.ti.com/video">www.ti.com/video</a>
		Wireless	<a href="http://www.ti.com/wireless">www.ti.com/wireless</a>

Mailing Address: Texas Instruments  
Post Office Box 655303 Dallas, Texas 75265