

National Semiconductor is now part of
Texas Instruments.

Search <http://www.ti.com/> for the latest technical
information and details on our current products and services.

LM57

Resistor-Programmable Temperature Switch and Analog Temperature Sensor

General Description

The LM57 is a precision, dual-output, temperature switch with integrated analog temperature sensor. The trip temperature (T_{TRIP}) is programmable by using two external 1% resistors. Using extremely small packaged resistors (0.5 mm x 1 mm), the LM57 can be programmed to any of 256 trip temperatures while consuming very little board space. The V_{TEMP} output delivers an analog output voltage which is proportional with a negative temperature coefficient (NTC) to the measured temperature.

Built-in temperature hysteresis (T_{HYST}) keeps the output stable in an environment of thermal oscillation. The digital temperature switch outputs will go active when the die temperature exceeds T_{TRIP} and will release when the temperature falls below a temperature equal to T_{TRIP} minus T_{HYST} . One of the digital outputs, T_{OVER} , is active-high with a push-pull structure. The other digital output, $\overline{T_{OVER}}$, is active-low with an open-drain structure.

Driving the TRIP-TEST input high will make the digital outputs active. A processor can read the logic level of the temperature switch outputs, confirming that they changed to their active state. This allows for in-situ verification that the comparator and output circuitry are functional after system assembly. When the TRIP-TEST pin is high, the trip-level reference voltage appears at the Vtemp pin. The system could then use this voltage to calibrate the sensor for even tighter accuracy. Tying T_{OVER} to TRIP-TEST will latch the output after it trips. It can be cleared by forcing TRIP-TEST low or powering off the LM57.

As it draws only 28 μ A max from its supply, it has very low self-heating, about 0.02°C in still air.

Applications

- Cell phones
- Wireless transceivers
- Digital cameras
- Personal digital assistants (PDA's)
- Battery management
- Automotive
- Disk drives
- Games
- Appliances

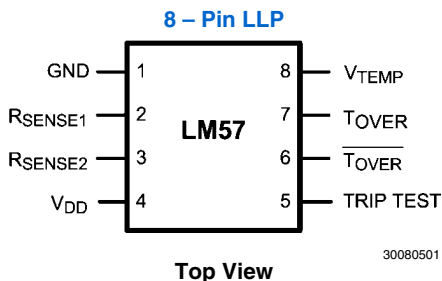
Features

- Trip temperature set by external resistors
- External resistor tolerance contributes zero error
- Push-pull and open-drain temperature switch outputs
- Wide operating temperature and trip-temperature range of -50°C to 150°C
- Very linear analog V_{TEMP} temperature sensor output
- Analog and digital outputs are short-circuit protected
- TRIP-TEST pin allows in-system testing
- Latching function for the digital outputs
- Very small 2.5 mm by 2.5 mm 8-Pin LLP package

Key Specifications

■ Supply voltage	2.4V to 5.5V
■ Supply current	24 μ A (typ)
■ Temperature switch accuracy	$\pm 1.5^\circ\text{C}$
■ Analog (V_{TEMP}) Accuracy	$\pm 0.7^\circ\text{C}$
■ Operating temperature	-50°C to 150°C
■ Hysteresis magnitude	5°C, 10°C

Connection Diagram



Typical Application

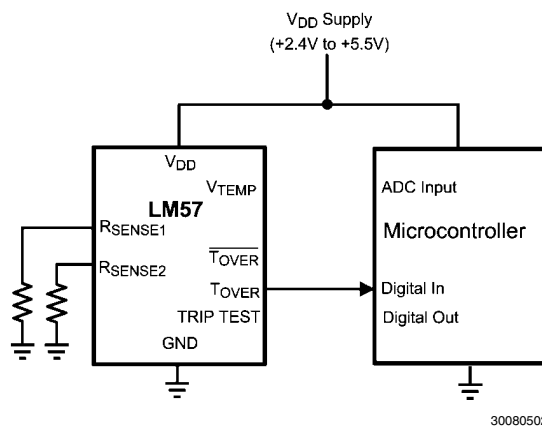
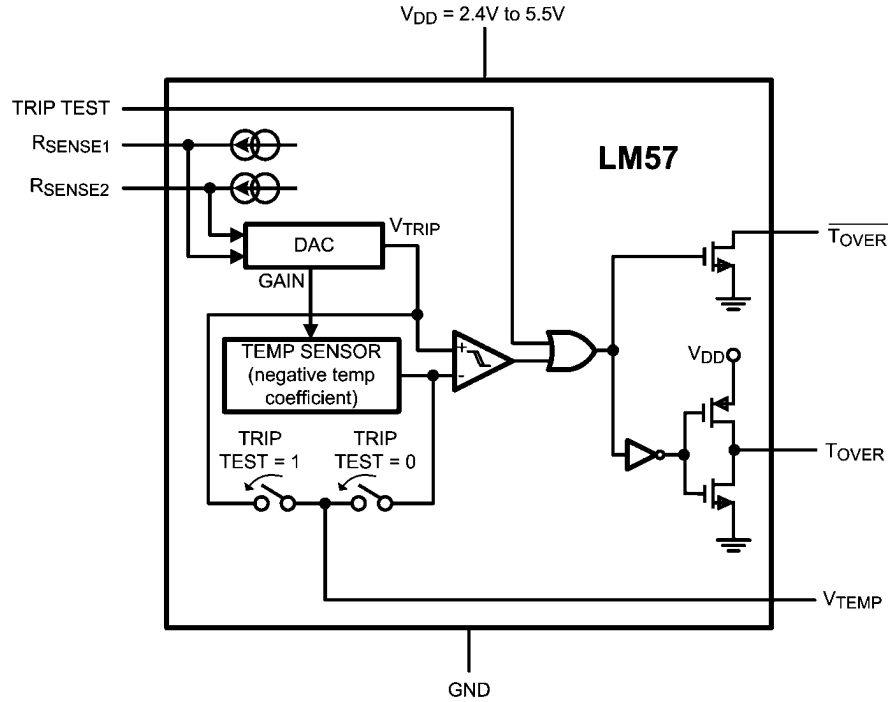


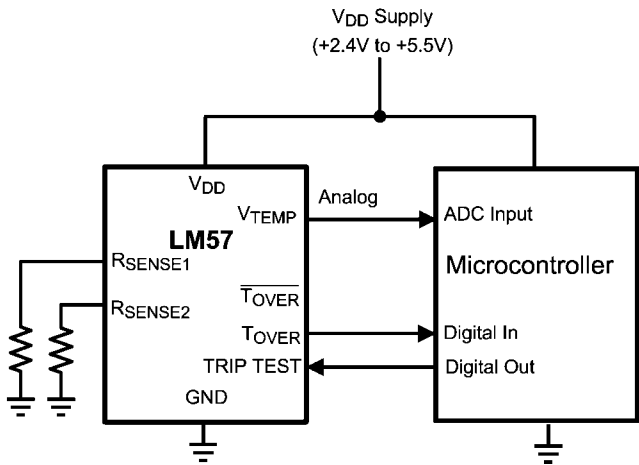
FIGURE 1. Over-Temperature Output to Microcontroller Digital Input

Block Diagram



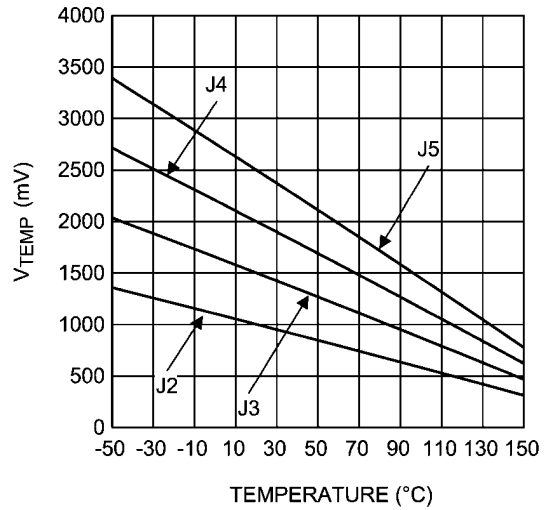
30080503

Typical Application



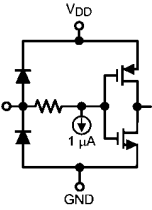
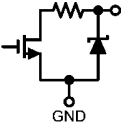
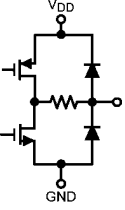
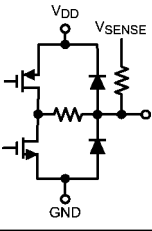
30080576

Typical Temperature Characteristics



30080508

Pin Descriptions

Pin No.	Name	Type	Equivalent Circuit	Description
1	GND	Ground		Power Supply Ground
2	R _{SENSE1}			Trip-Point Resistor Sense. One of two sense pins which selects the temperature at which T _{OVER} and \overline{T}_{OVER} will go active.
3	R _{SENSE2}			Trip-Point Resistor Sense. One of two sense pins which selects the temperature at which T _{OVER} and \overline{T}_{OVER} will go active.
4	V _{DD}	Power		Supply Voltage
5	TRIP TEST	Digital Input		<p>TRIP TEST pin. Active High input.</p> <p>If TRIP TEST = 0 (Default), then the V_{TEMP} output has the analog temperature sensor output voltage.</p> <p>If TRIP TEST = 1, then T_{OVER} and \overline{T}_{OVER} outputs are asserted and V_{TEMP} = V_{TRIP}, the Temperature Trip Voltage.</p> <p>Tie this pin to ground if not used.</p>
6	\overline{T}_{OVER}	Digital Output		<p>Over Temperature Switch output</p> <p>Active Low, Open-drain (See Section 2.1 regarding required pull-up resistor.)</p> <p>Asserted when the measured temperature exceeds the Trip Point Temperature or if TRIP TEST = 1</p> <p>This pin may be left open if not used.</p>
7	T _{OVER}	Digital Output		<p>Over Temperature Switch output</p> <p>Active High, Push-Pull</p> <p>Asserted when the measured temperature exceeds the Trip Point Temperature or if TRIP TEST = 1</p> <p>This pin may be left open if not used.</p>
8	V _{TEMP}	Analog Output		<p>V_{TEMP} Analog Voltage Output</p> <p>If TRIP TEST = 0, then V_{TEMP} = V_{TS}, Temperature Sensor Output Voltage</p> <p>If TRIP TEST = 1, then V_{TEMP} = V_{TRIP}, Temperature Trip Voltage</p> <p>This pin may be left open if not used.</p>
Thermal Pad (LLP package only)				Connect to GND

Ordering Information

Package	Part Number	Package Marking	Transport Media	NSC Drawing
8-Pin LLP	LM57BISD-5	57B5	1k Units Tape and Reel	SDA08B
	LM57BISDX-5	57B5	4.5k Units Tape and Reel	SDA08B
	LM57BISD-10	57B9	1k Units Tape and Reel	SDA08B
	LM57BISDX-10	57B9	4.5k Units Tape and Reel	SDA08B
	LM57CISD-5	57C5	1k Units Tape and Reel	SDA08B
	LM57CISDX-5	57C5	4.5k Units Tape and Reel	SDA08B
	LM57CISD-10	57C9	1k Units Tape and Reel	SDA08B
	LM57CISDX-10	57C9	4.5k Units Tape and Reel	SDA08B

Note:

The "-5" suffix is for 5°C hysteresis

The "-10" suffix is for 10°C hysteresis

Contact National Semiconductor Corporation for high temperature die (above 150°C).

Absolute Maximum Ratings (Note 1)

Supply Voltage	-0.3V to 6V
Voltage at \overline{T}_{OVER}	-0.3V to 6V
Voltage at T_{OVER} , V_{TEMP} , TRIP-TEST, R_{SENSE1} , and R_{SENSE2}	-0.3V to ($V_{DD} + 0.3V$)
Current at any pin	5 mA
Storage Temperature Range	-65°C to 150°C
ESD Susceptibility (Note 2)	
Human Body Model	5500V
Machine Model	450V
Charged Device Model	1250V

Operating Ratings (Note 1)

Specified Temperature Range	-50°C to 150°C
Supply Voltage Range	+2.4 V to 5.5V

Soldering process must comply with National's Reflow Temperature Profile specifications. Refer to www.national.com/packaging. (Note 3)

Accuracy Characteristics There are four gains corresponding to each of the four Temperature Trip Point Ranges.

J2 is the sensor gain used for Temperature Trip Point -41°C to 51.8°C.

J3 is for Trip Points 52°C to 97°C.

J4 for 97°C to 119°C.

J5 for 119°C to 150°C.

Trip Point Accuracy

Parameter	Condition			LM57B	LM57C	Units (Max)
Trip Point Accuracy (Includes 1% set-resistor tolerance) (Note 9)	J2	$T_A = -41^\circ\text{C}$ to 52°C	$V_{DD} = 2.4\text{V}$ to 5.5V	± 1.5	± 2.3	$^\circ\text{C}$
	J3	$T_A = 52^\circ\text{C}$ to 97°C	$V_{DD} = 2.4\text{V}$ to 5.5V	± 1.5	± 2.3	$^\circ\text{C}$
	J4	$T_A = 97^\circ\text{C}$ to 119°C	$V_{DD} = 2.4\text{V}$ to 5.5V	± 1.5	± 2.3	$^\circ\text{C}$
	J5	$T_A = 119^\circ\text{C}$ to 150°C	$V_{DD} = 2.4\text{V}$ to 5.5V	± 1.5	± 2.3	$^\circ\text{C}$

 V_{TEMP} Analog Temperature Sensor Output Accuracy

These limits do not include DC load regulation. These stated accuracy limits are with reference to the values in the LM57 V_{TEMP} Temperature-to-Voltage Table.

Parameter	Condition			LM57B	LM57C	Units (Max)
V_{TEMP} Accuracy (These stated accuracy limits are with reference to the values in the LM57 Temperature-to-Voltage Table) (Note 9)	J2	$T_A = -50^\circ\text{C}$ to 150°C	$V_{DD} = 2.4\text{V}$ to 5.5V	± 0.95	± 1.3	$^\circ\text{C}$
	J3	$T_A = -50^\circ\text{C}$ to 150°C	$V_{DD} = 2.4\text{V}$ to 5.5V	± 0.8	± 1.3	$^\circ\text{C}$
	J4	$T_A = 20^\circ\text{C}$ to 50°C	$V_{DD} = 2.4\text{V}$ to 5.5V	± 0.7	± 1.3	$^\circ\text{C}$
		$T_A = 0^\circ\text{C}$ to 150°C	$V_{DD} = 2.7\text{V}$ to 5.5V	± 0.7	± 1.3	
		$T_A = -50^\circ\text{C}$ to 0°C	$V_{DD} = 3.1\text{V}$ to 5.5V	± 0.8	± 1.3	
	J5	$T_A = 60^\circ\text{C}$ to 150°C	$V_{DD} = 2.4\text{V}$ to 5.5V	± 0.7	± 1.3	$^\circ\text{C}$
		$T_A = 20^\circ\text{C}$ to 50°C	$V_{DD} = 2.9\text{V}$ to 5.5V	± 0.7	± 1.3	
		$T_A = 0^\circ\text{C}$ to 150°C	$V_{DD} = 3.2\text{V}$ to 5.5V	± 0.7	± 1.3	
$T_A = -50^\circ\text{C}$ to 0°C		$V_{DD} = 4.0\text{V}$ to 5.5V	± 0.8	± 1.3		

Electrical Characteristics

Unless otherwise noted, these specifications apply for $V_{DD} = 2.4V$ to $5.5V$. **Boldface** limits apply for $T_A = T_J = T_{MIN}$ to T_{MAX} ; All other limits apply to $T_A = T_J = +25^\circ C$, unless otherwise noted.

Symbol	Parameter	Conditions	Min (Note 5)	Typ (Note 4)	Max (Note 5)	Units
Temperature Sensor						
	V_{TEMP} Sensor Gain	J2 $-41^\circ C$ to $52^\circ C$		-5.166		mV/ $^\circ C$
		J3 $52^\circ C$ to $97^\circ C$		-7.752		
		J4 $97^\circ C$ to $119^\circ C$		-10.339		
		J5 $119^\circ C$ to $150^\circ C$		-12.924		
	Line Regulation DC: Supply-to- V_{TEMP} (Note 6)	$V_{DD} = 2.4V$ to $5.5V$, Gain = J4, Temp = $90^\circ C$		0.18		mV
				58		$\mu V/V$
				-84		dB
	Load Regulation: V_{TEMP} Output (Note 10)	Source $\leq 240 \mu A$, ($V_{DD} - V_{TEMP}$) ≥ 200 mV			-1	mV
		Sink $\leq 300 \mu A$, $V_{TEMP} \geq 360$ mV			1	
		Source or Sink = $100 \mu A$		1		Ω
	Load Capacitance: V_{TEMP} Output (Note 11)	No output series resistor required (See section 5.2)			1100	pF
I_s	Supply Current: Quiescent (Note 7)			24	28	μA
TRIP-TEST Input						
V_{IH}	Logic "1" Threshold Voltage		$V_{DD} - 0.5$			V
V_{IL}	Logic "0" Threshold Voltage				0.5	V
I_{IH}	Logic "1" Input Current			1.4	3	μA
I_{IL}	Logic "0" Input Leakage Current (Note 8)			0.001	1	μA
T_{OVER} (Push-Pull, Active-High) Output						
V_{OH}	Logic "1" Push-Pull Output Voltage	Source $\leq 600 \mu A$	$V_{DD} - 0.2$			V
		Source ≤ 1.2 mA	$V_{DD} - 0.45$			
V_{OL}	Logic "0" Output Voltage	Sink $\leq 600 \mu A$			0.2	V
		Sink ≤ 1.2 mA			0.45	
T_{OVER} (Open-Drain, Active-Low) Output						
V_{OL}	Logic "0" Output Voltage	Sink $\leq 600 \mu A$			0.2	V
		Sink ≤ 1.2 mA			0.45	
I_{OH}	Logic "1" Output Leakage Current (Note 8)	Temperature = $30^\circ C$		0.001	1	μA
Hysteresis						
T_{HYST}	Hysteresis Temperature	5 $^\circ C$ hysteresis option	4.7	5	5.4	$^\circ C$
		10 $^\circ C$ hysteresis option	9.6	10	10.6	$^\circ C$
Timing						
t_{EN}	Time from power on to Digital Output Enabled (Note 11)			1.0	2.9	ms
t_{VTEMP}	Time from Power on to Analog Temperature (V_{TEMP}) valid (Note 11)			1.0	2.9	ms

Note 1: Absolute Maximum Ratings indicate limits beyond which damage may occur. Operating Ratings indicate conditions for which the device is intended to be functional, but specific performance is not guaranteed. For guaranteed specifications and test conditions, see the Electrical Characteristics.

Note 2: The Human Body Model (HBM) is a 100 pF capacitor charged to the specified voltage then discharged through a 1.5 k Ω resistor into each pin. The Machine Model (MM) is a 200 pF capacitor charged to the specified voltage then discharged directly into each pin. The Charged Device Model (CDM) is a specified circuit characterizing an ESD event that occurs when a device acquires charge through some triboelectric (frictional) or electrostatic induction processes and then abruptly touches a grounded object or surface.

Note 3: Reflow temperature profiles are different for lead-free and non-lead-free packages.

Note 4: Typicals are at $T_J = T_A = 25^\circ\text{C}$ and represent most likely parametric norm.

Note 5: Limits are guaranteed to National's AOQL (Average Outgoing Quality Level).

Note 6: Line regulation (DC) is calculated by subtracting the output voltage at the highest supply voltage from the output voltage at the lowest supply voltage. The typical DC line regulation specification does not include the output voltage shift discussed in Section 5.3.

Note 7: Supply Current refers to the quiescent current of the LM57 only and does not include any load current

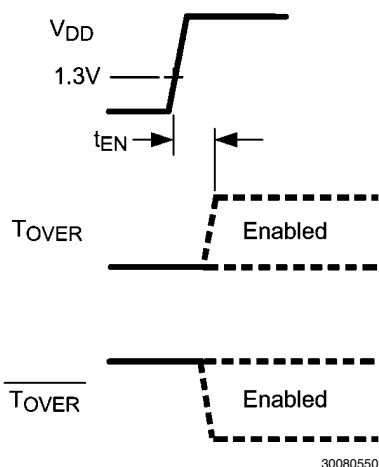
Note 8: This current is leakage current only and is therefore highest at high temperatures. Prototype test indicate that the leakage is well below 1 μA over the full temperature range. This 1 μA specification reflects the limitations of measuring leakage at room temperature. For this reason only, the leakage current is not guaranteed at a lower value.

Note 9: Accuracy is defined as the error between the measured and reference output voltages, tabulated in the Conversion Table at the specified conditions of supply gain setting, voltage, and temperature (expressed in $^\circ\text{C}$). Accuracy limits include line regulation within the specified conditions. Accuracy limits do not include load regulation; they assume no DC load.

Note 10: Source currents are flowing out of the LM57. Sink currents are flowing into the LM57. Load Regulation is calculated by measuring V_{temp} at 0 μA and subtracting the value with the conditions specified.

Note 11: Guaranteed by design and characterization.

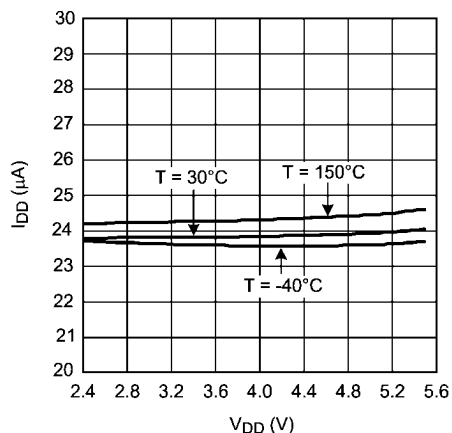
Definitions of t_{EN} and t_{VTEMP}



30080551

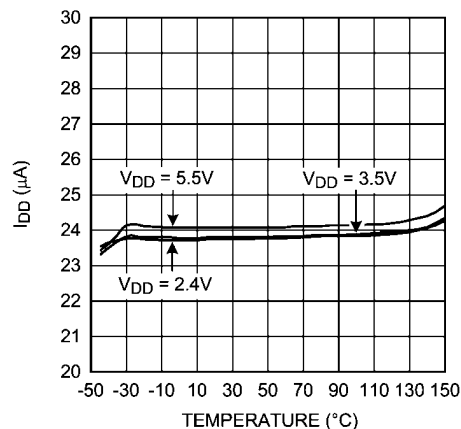
Typical Performance Characteristics

Supply Current vs. Supply Voltage



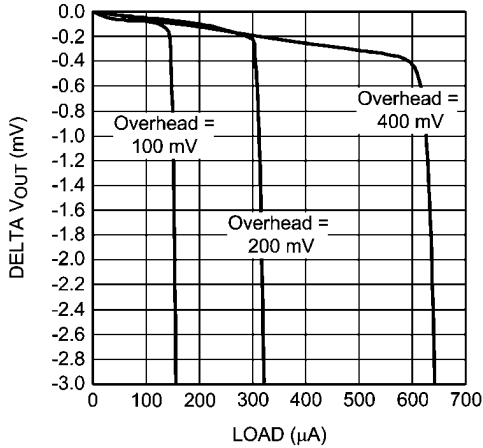
30080569

Supply Current vs. Temperature



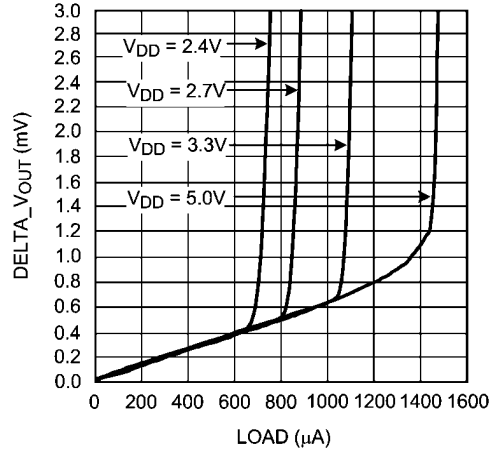
30080570

Load Regulation: Change in V_{TEMP} vs. Source Current
Overhead is $V_{DD}-V_{TEMP}$



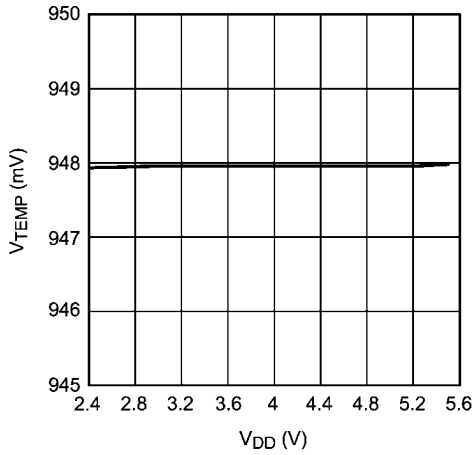
30080567

Load Regulation: Change in V_{TEMP} vs. Sink Current



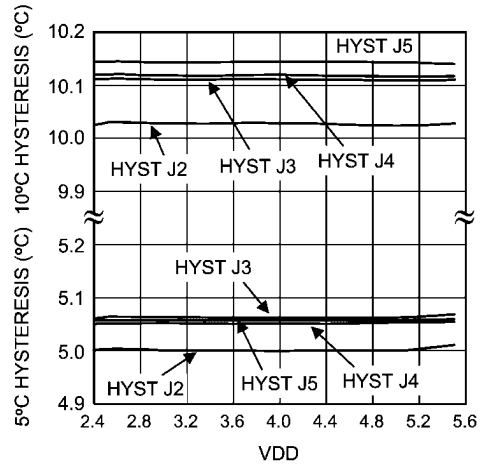
30080568

Line Regulation: V_{TEMP} vs. Supply Voltage



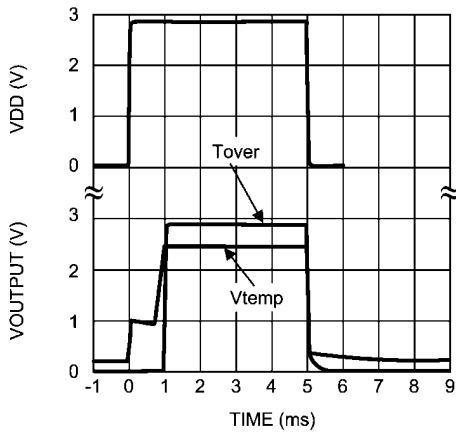
30080572

Line Regulation: Hysteresis vs. Supply Voltage 30°C



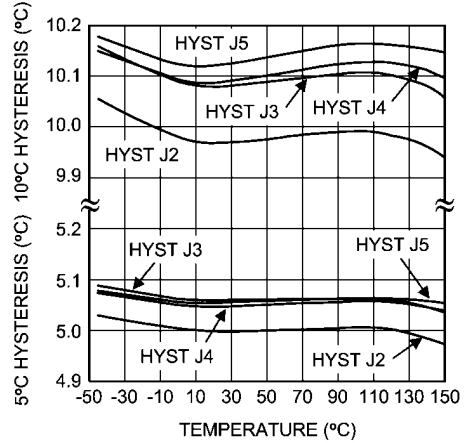
30080526

Start - Up Response



30080525

Hysteresis vs. Temperature



30080527

Application Information

1.0 RESISTOR PROGRAMMING

Trip Point (°C) vs. Set-Resistor Values (Ω)

		R _{SENSE2}												
		J2				J3			J4		J5			
		976k	825k	698k	590k	499k	412k	340k	280k	226k	178k	140k	105k	75k
R _{SENSE1}	976k	-40.7	-16.3	7.3	30.4	52.7	67.8	82.7	97.5	108.6	119.6	128.5	137.3	146.1
	825k	-39.1	-14.8	8.8	31.8	53.7	68.7	83.7	98.2	109.3	120.2	129.0	137.8	146.6
	698k	-37.6	-13.3	10.2	33.2	54.6	69.6	84.6	98.9	110.0	120.7	129.6	138.4	147.2
	590k	-36.0	-11.8	11.7	34.7	55.6	70.6	85.5	99.6	110.7	121.3	130.1	138.9	147.7
	499k	-34.5	-10.3	13.1	36.1	56.5	71.5	86.5	100.3	111.4	121.8	130.7	139.5	148.3
	412k	-32.9	-8.8	14.6	37.5	57.4	72.5	87.4	100.9	112.1	122.4	131.2	140.0	148.8
	340k	-31.4	-7.3	16.1	39.0	58.4	73.4	88.3	101.6	112.8	122.9	131.8	140.6	149.3
	280k	-29.9	-5.8	17.5	40.4	59.3	74.3	89.3	102.3	113.5	123.5	132.3	141.1	149.9
	226k	-28.3	-4.3	18.9	41.8	60.3	75.3	90.2	103.0	114.2	124.0	132.9	141.7	
	178k	-26.8	-2.9	20.4	43.2	61.2	76.2	91.1	103.7	114.9	124.6	133.4	142.2	
	140k	-25.3	-1.4	21.8	44.7	62.1	77.1	92.1	104.4	115.6	125.2	134.0	142.8	
	105k	-23.8	0.0	23.2	46.1	63.1	78.1	93.0	105.1	116.3	125.7	134.5	143.3	
	75k	-22.3	1.5	24.7	47.5	64.0	79.0	93.9	105.8	117.0	126.3	135.1	143.9	
	46.4k	-20.8	3.0	26.1	48.9	65.0	79.9	94.8	106.5	117.6	126.8	135.6	144.4	
	22.6k	-19.3	4.4	27.5	50.3	65.9	80.9	95.8	107.2	118.3	127.4	136.2	145.0	
0.01k	-17.8	5.9	28.9	51.8	66.8	81.8	96.7	107.9	119.0	127.9	136.7	145.5		

V_{TEMP} (mV) at the Trip Point vs. Set-Resistor Value (Ω)

		R _{SENSE2}												
		J2				J3			J4		J5			
		976k	825k	698k	590k	499k	412k	340k	280k	226k	178k	140k	105k	75k
R _{SENSE1}	976k	1306.2	1183.8	1064.0	945.6	1243.7	1125.3	1006.8	1185.3	1066.0	1184.0	1064.6	944.8	825.0
	825k	1298.5	1176.2	1056.6	938.2	1236.3	1117.9	999.3	1177.8	1058.5	1176.6	1057.1	937.3	817.5
	698k	1290.7	1168.7	1049.1	930.8	1228.9	1110.5	991.9	1170.4	1051.0	1169.1	1049.6	929.8	810.1
	590k	1283.0	1161.2	1041.7	923.4	1221.5	1103.1	984.5	1163.0	1043.6	1161.6	1042.1	922.3	802.7
	499k	1275.3	1153.6	1034.3	916.0	1214.1	1095.7	977.1	1155.5	1036.1	1154.2	1034.6	914.8	795.2
	412k	1267.6	1146.1	1026.8	908.6	1206.7	1088.3	969.7	1148.1	1028.6	1146.7	1027.2	907.3	787.8
	340k	1259.9	1138.6	1019.4	901.2	1199.3	1080.9	962.2	1140.7	1021.1	1139.2	1019.7	899.8	780.3
	280k	1252.2	1131.0	1012.0	893.8	1191.9	1073.5	954.8	1133.2	1013.6	1131.7	1012.2	892.3	772.9
	226k	1244.6	1123.5	1004.6	886.4	1184.5	1066.0	947.3	1125.8	1006.1	1124.3	1004.7	884.8	
	178k	1237.0	1116.0	997.3	879.0	1177.1	1058.6	939.9	1118.3	998.7	1116.8	997.2	877.3	
	140k	1229.4	1108.6	989.9	871.6	1169.7	1051.2	932.5	1110.9	991.2	1109.3	989.7	869.8	
	105k	1221.8	1101.2	982.5	864.2	1162.3	1043.8	925.0	1103.5	983.7	1101.8	982.2	862.3	
	75k	1214.1	1093.7	975.2	856.8	1154.9	1036.4	917.6	1096.0	976.2	1094.4	974.8	854.8	
	46.4k	1206.5	1086.3	967.8	849.4	1147.5	1029.0	910.2	1088.6	968.7	1086.9	967.3	847.3	
	22.6k	1198.9	1078.9	960.4	842.0	1140.1	1021.6	902.7	1081.2	961.2	1079.4	959.8	839.8	
0.01k	1191.3	1071.4	953.1	834.6	1132.7	1014.2	895.3	1073.7	953.8	1072.0	952.3	832.3		

1.1 Selection of R_{SET} Resistors

To set the trip point:

- (1) Locate the desired trip temperature on the Trip Point Table.
- (2) Identify the corresponding R_{SENSE2} value by following the column up to the resistor value.
- (3) Identify the corresponding R_{SENSE1} value by following the row leftwards to the resistor value.
- (4) Use only the EIA E96 standard resistor values from the list.
- (5) Use only the resistor with 1% tolerance and a temperature coefficient of 100ppm (or better). These restrictions are nec-

essary to stay at the selected setting, and not to slip into an adjacent setting.

(6) This is consistent with using resistors from the Thick Film Chip Resistors CRCW0402 family. These are available with very small dimensions of $L = 1.0\text{mm}$, $W = 0.5\text{mm}$, $H = 0.35\text{mm}$.

(7) Note that the resistor tolerance does not diminish the accuracy of the trip point. See patent #6,924,758.

2.0 LM57 V_{TEMP} TEMPERATURE-TO-VOLTAGE TABLE

Temperature (°C)	V_{TEMP} (mV)			
	J2	J3	J4	J5
-50	1353	2029	2705	3381
-49	1348	2021	2695	3369
-48	1343	2014	2685	3357
-47	1338	2006	2675	3344
-46	1333	1999	2665	3332
-45	1328	1992	2655	3319
-44	1323	1984	2646	3307
-43	1318	1977	2636	3294
-42	1313	1969	2626	3282
-41	1308	1962	2616	3269
-40	1303	1954	2606	3257
-39	1298	1947	2596	3244
-38	1293	1939	2586	3232
-37	1288	1932	2576	3219
-36	1283	1924	2566	3207
-35	1278	1917	2556	3194
-34	1273	1909	2546	3182
-33	1268	1902	2536	3169
-32	1263	1894	2526	3157
-31	1258	1887	2516	3144
-30	1253	1879	2506	3132
-29	1248	1872	2495	3119
-28	1243	1864	2485	3107
-27	1238	1857	2475	3094
-26	1233	1849	2465	3082
-25	1228	1841	2455	3069
-24	1223	1834	2445	3056
-23	1218	1826	2435	3044
-22	1213	1819	2425	3031
-21	1208	1811	2415	3019
-20	1203	1804	2405	3006
-19	1198	1796	2395	2993
-18	1193	1789	2385	2981
-17	1188	1781	2375	2968
-16	1182	1773	2365	2956
-15	1177	1766	2354	2943
-14	1172	1758	2344	2930

Temperature (°C)	V_{TEMP} (mV)			
	J2	J3	J4	J5
-13	1167	1751	2334	2918
-12	1162	1743	2324	2905
-11	1157	1735	2314	2892
-10	1152	1728	2304	2880
-9	1147	1720	2294	2867
-8	1142	1713	2284	2854
-7	1137	1705	2273	2842
-6	1132	1697	2263	2829
-5	1127	1690	2253	2816
-4	1122	1682	2243	2803
-3	1117	1675	2233	2791
-2	1112	1667	2223	2778
-1	1106	1659	2212	2765
0	1101	1652	2202	2753
1	1096	1644	2192	2740
2	1091	1636	2182	2727
3	1086	1629	2172	2714
4	1081	1621	2161	2702
5	1076	1613	2151	2689
6	1071	1606	2141	2676
7	1066	1598	2131	2663
8	1061	1590	2121	2650
9	1055	1583	2110	2638
10	1050	1575	2100	2625
11	1045	1567	2090	2612
12	1040	1560	2080	2599
13	1035	1552	2069	2586
14	1030	1544	2059	2574
15	1025	1537	2049	2561
16	1020	1529	2039	2548
17	1015	1521	2028	2535
18	1009	1514	2018	2522
19	1004	1506	2008	2509
20	999	1498	1997	2497
21	994	1490	1987	2484
22	989	1483	1977	2471
23	984	1475	1967	2458

Temperature (°C)	V _{TEMP} (mV)			
	J2	J3	J4	J5
24	979	1467	1956	2445
25	973	1460	1946	2432
26	968	1452	1936	2419
27	963	1444	1925	2406
28	958	1436	1915	2394
29	953	1429	1905	2381
30	948	1421	1894	2368
31	942	1413	1884	2355
32	937	1405	1874	2342
33	932	1398	1863	2329
34	927	1390	1853	2316
35	922	1382	1843	2303.0
36	917	1374	1832	2290
37	911	1367	1822	2277
38	906	1359	1811	2264
39	901	1351	1801	2251
40	896	1343	1791	2238
41	891	1335	1780	2225
42	885	1328	1770	2212
43	880	1320	1759	2199
44	875	1312	1749	2186
45	870	1304	1739	2173
46	865	1296	1728	2160
47	859	1289	1718	2147
48	854	1281	1707	2134
49	849	1273	1697	2121
50	844	1265	1687	2108
51	839	1257	1676	2095
52	833	1249	1666	2082
53	828	1242	1655	2069
54	823	1234	1645	2056
55	818	1226	1634	2043
56	812	1218	1624	2030
57	807	1210	1613	2016
58	802	1202	1603	2003
59	797	1194	1592	1990
60	791	1187	1582	1977
61	786	1179	1571	1964
62	781	1171	1561	1951
63	776	1163	1550	1938
64	770	1155	1540	1925
65	765	1147	1529	1911
66	760	1139	1519	1898
67	755	1131	1508	1885
68	749	1124	1498	1872
69	744	1116	1487	1859
70	739	1108	1477	1846
71	734	1100	1466	1833

Temperature (°C)	V _{TEMP} (mV)			
	J2	J3	J4	J5
72	728	1092	1456	1819
73	723	1084	1445	1806
74	718	1076	1435	1793
75	713	1068	1424	1780
76	707	1060	1413	1767
77	702	1052	1403	1753
78	697	1044	1392	1740
79	691	1036	1382	1727
80	686	1028	1371	1714
81	681	1021	1360	1700
82	675	1013	1350	1687
83	670	1005	1339	1674
84	665	997	1329	1661
85	660	989	1318	1647
86	654	981	1307	1634
87	649	973	1297	1621
88	644	965	1286	1607
89	638	957	1276	1594
90	633	949	1265	1581
91	628	941	1254	1568
92	622	933	1244	1554
93	617	925	1233	1541
94	612	917	1222	1528
95	606	909	1212	1514
96	601	901	1201	1501
97	596	893	1190	1488
98	590	885	1180	1474
99	585	877	1169	1461
100	580	869	1158	1448
101	574	861	1148	1434
102	569	853	1137	1421
103	564	845	1126	1407
104	558	837	1115	1394
105	553	829	1105	1381
106	548	821	1094	1367
107	542	813	1083	1354
108	537	805	1073	1340
109	531	797	1062	1327
110	526	788	1051	1314
111	521	780	1040	1300
112	515	772	1030	1287
113	510	764	1019	1273
114	505	756	1008	1260
115	499	748	997	1246
116	494	740	986	1233
117	488	732	976	1219
118	483	724	965	1206
119	478	716	954	1192

Temperature (°C)	V _{TEMP} (mV)			
	J2	J3	J4	J5
120	472	708	943	1179
121	467	700	933	1165
122	461	692	922	1152
123	456	683	911	1138
124	451	675	900	1125
125	445	667	889	1111
126	440	659	878	1098
127	434	651	868	1084
128	429	643	857	1071
129	424	635	846	1057
130	418	627	835	1044
131	413	618	824	1030
132	407	610	813	1017
133	402	602	803	1003
134	396	594	792	989
135	391	586	781	976
136	386	578	770	962

Temperature (°C)	V _{TEMP} (mV)			
	J2	J3	J4	J5
137	380	570	759	949
138	375	561	748	935
139	369	553	737	921
140	364	545	726	908
141	358	537	716	894
142	353	529	705	881
143	347	520	694	867
144	342	512	683	853
145	336	504	672	840
146	331	496	661	826
147	326	488	650	812
148	320	480	639	799
149	315	471	628	785
150	309	463	617	771

Note: The Rset resistors select a trip point and a corresponding Vtemp gain (J2, J3, J4, or J5). The trip point range associated with a given gain is shown in bold on this table. The Vtemp gain is selected by the Rset resistors. Vtemp is valid over the entire temperature range.

2.1 LM57 V_{TEMP} Voltage -To-Temperature Equations

Trip-Point Region	LM57 Trip Point Range	V _{TEMP} (mV) Equations T(°C)
J2	-41°C to 52°C	$V_{TEMP} = 947.6 - 5.166(T-30) - 0.00129(T-30)^2$
J3	52°C to 97°C	$V_{TEMP} = 1420.9 - 7.752(T-30) - 0.00191(T-30)^2$
J4	97°C to 119°C	$V_{TEMP} = 1894.3 - 10.339(T-30) - 0.00253(T-30)^2$
J5	119°C to 150°C	$V_{TEMP} = 2367.7 - 12.924(T-30) - 0.00316(T-30)^2$

3.0 T_{OVER} AND $\overline{T_{\text{OVER}}}$ DIGITAL OUTPUTS

The T_{OVER} Active High, Push-Pull Output and the $\overline{T_{\text{OVER}}}$ Active Low, Open-Drain Output both assert at the same time whenever the Die Temperature reaches the Trip Point. They also assert simultaneously whenever the TRIP TEST pin is set high. Both outputs de-assert when the die temperature goes below the (Temperature Trip Point) - (Hysteresis). These two types of digital outputs enable the user the flexibility to choose the type of output that is most suitable for his design.

Either the T_{OVER} or the $\overline{T_{\text{OVER}}}$ Digital Output pins can be left open if not used.

The $\overline{T_{\text{OVER}}}$ Active Low, Open-Drain Digital Output, if used, requires a pull-up resistor between this pin and V_{DD} .

3.1 T_{OVER} and $\overline{T_{\text{OVER}}}$ Noise Immunity

The LM57 has some noise immunity to a premature trigger due to noise on the power supply. With the die temperature at 1°C below the trip point, there are no premature triggers for a square wave injected into the power supply with a magnitude of $100\text{ mV}_{\text{PP}}$ over a frequency range of 100 Hz to 2 MHz. Above the frequency a premature trigger may occur.

With the die temperature at 2°C below the trip point, and a magnitude of $200\text{ mV}_{\text{PP}}$, there are no premature triggers from 100 Hz to 300 kHz. Above that frequency a premature trigger may occur.

Therefore if the supply line is noisy, it is recommended that a local supply decoupling cap be used to reduce that noise.

4.0 TRIP TEST DIGITAL INPUT

The TRIP TEST pin provides a means to test the digital outputs by causing them to assert, regardless of temperature.

In addition, when the TRIP TEST pin is pulled high the V_{TEMP} pin will be at the V_{TRIP} voltage.

5.0 V_{TEMP} ANALOG TEMPERATURE SENSOR OUTPUT

The V_{TEMP} push-pull output provides the ability to sink and source significant current. This is beneficial when, for example, driving dynamic loads like an input stage on an analog-to-digital converter (ADC). In these applications the source current is required to quickly charge the input capacitor of the ADC. See the Applications Circuits section for more discussion of this topic. The LM57 is ideal for this and other applications which require strong source or sink current.

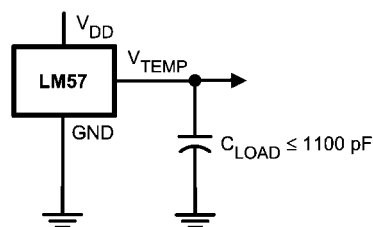
5.1 V_{TEMP} Noise Considerations

A load capacitor on V_{TEMP} can help to filter noise.

For noisy environments, a 100 nF supply decoupling cap placed across V_{DD} and GND pins of LM57 is recommended.

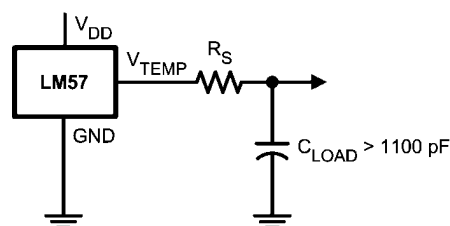
5.2 V_{TEMP} Capacitive Loads

The V_{TEMP} Output handles capacitive loading well. In an extremely noisy environment, or when driving a switched sampling input on an ADC, it may be necessary to add some filtering to minimize noise coupling. Without any precautions, the V_{TEMP} can drive a capacitive load less than or equal to 1100 pF as shown in [Figure 2](#). For capacitive loads greater than 1100 pF , a series resistor is required on the output, as shown in [Figure 3](#), to maintain stable conditions.



30080516

FIGURE 2. LM57 No Isolation Resistor Required



30080517

C_{LOAD}	Minimum R_S
1.1 nF to 99 nF	3 k Ω
100 nF to 999 nF	1.5 k Ω
1 μF	750 Ω

FIGURE 3. LM57 with Series Resistor for Capacitive Loading greater than 1100 pF .

5.3 V_{TEMP} Voltage Shift

The LM57 is very linear over temperature and supply voltage range. Due to the intrinsic behavior of an NMOS/PMOS rail-to-rail buffer, a slight shift in the output can occur when the supply voltage is ramped over the operating range of the device. The location of the shift is determined by the relative levels of V_{DD} and V_{TEMP} . The shift typically occurs when $V_{\text{DD}} - V_{\text{TEMP}} = 1.0\text{V}$.

This slight shift (a few millivolts) takes place over a wide change (approximately 200 mV) in V_{DD} or V_{TEMP} . Since the shift takes place over a wide temperature change of 5°C to 20°C , V_{TEMP} is always monotonic. The accuracy specifications in the Electrical Characteristics table already includes this possible shift.

6.0 MOUNTING AND TEMPERATURE CONDUCTIVITY

The LM57 can be applied easily in the same way as other integrated-circuit temperature sensors. It can be glued or cemented to a surface.

To ensure good temperature conductivity, the backside of the LM57 die is directly attached to the exposed pad. The temperatures of the lands and traces to the other leads of the LM57 will also affect the temperature reading.

Alternatively, the LM57 can be mounted inside a sealed-end metal tube, and can then be dipped into a bath or screwed into a threaded hole in a tank. As with any IC, the LM57 and accompanying wiring and circuits must be kept insulated and dry, to avoid leakage and corrosion. This is especially true if the circuit may operate at cold temperatures where condensation can occur. If moisture creates a short circuit from the

V_{TEMP} output to ground or V_{DD} , the V_{TEMP} output from the LM57 will not be correct. Printed-circuit coatings are often used to ensure that moisture cannot corrode the leads or circuit traces.

The LM57's junction temperature is the actual temperature being measured. The thermal resistance junction-to-ambient (θ_{JA}) is the parameter (from Figure 4) used to calculate the rise of a device junction temperature due to its power dissipation. The equation used to calculate the rise in the LM57's die temperature is

$$T_J = T_A + \theta_{JA} [(V_{DD}I_Q) + (V_{DD} - V_{TEMP}) I_L]$$

where T_A is the ambient temperature, I_Q is the quiescent current, I_L is the load current on V_{temp} .

For example, in an application where $T_A = 30^\circ\text{C}$, $V_{DD} = 5.5\text{ V}$, $I_{DD} = 28\ \mu\text{A}$, J5 gain, $V_{TEMP} = 2368\text{ mV}$, and $I_L = 0\ \mu\text{A}$, the total temperature rise would be $[152^\circ\text{C}/\text{W} * 5.5\text{V} * 28\ \mu\text{A}] = 0.023^\circ\text{C}$. To minimize self-heating, the load current on V_{temp} should be minimized.

Device Number	Thermal Resistance (θ_{JA})	NS Package Number
LM57	152° C/W	SDA08B

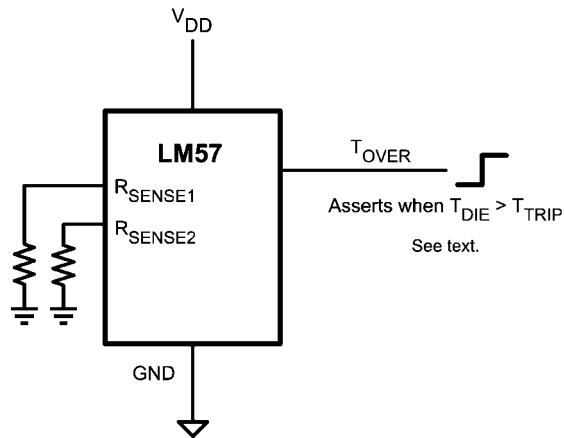
FIGURE 4. LM57 Thermal Resistance

7.0 Rset TABLE

The LM57 uses the voltage at the two R_{sense} pins to set the trip point for the temperature switch. It is possible to drive the

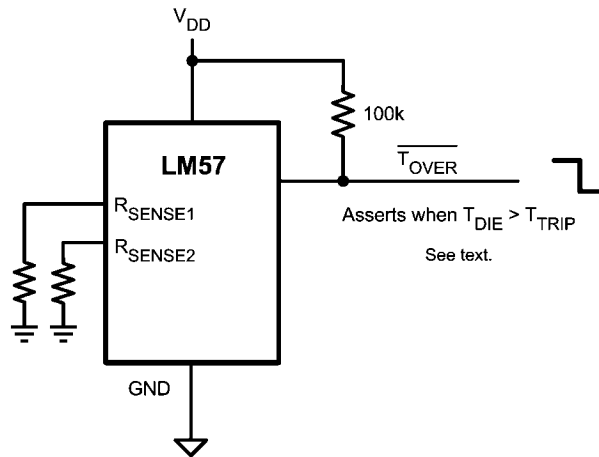
two R_{sense} pins with a voltage equal to the value generated by the resistor and the internal current-source and have the same switch point. Thus one can use an external DAC to drive each R_{sense} pin, allowing for the temperature trip point to be set dynamically by the system processor. The table shows the R_{set} value and its corresponding generated R_{sense} pin voltage (the "Center Value").

Rset Values (k Ω) vs Rsense Voltage (mV)	
Rset (Ω)	Rsense Voltage (mV)
	Center Value
976k	1875
825k	1585
698k	1341
590k	1134
499k	959
412k	792
340k	653
280k	538
226k	434
178k	342
140k	269
105k	202
75k	146
46.4k	87
22.6k	43
0.01k	0



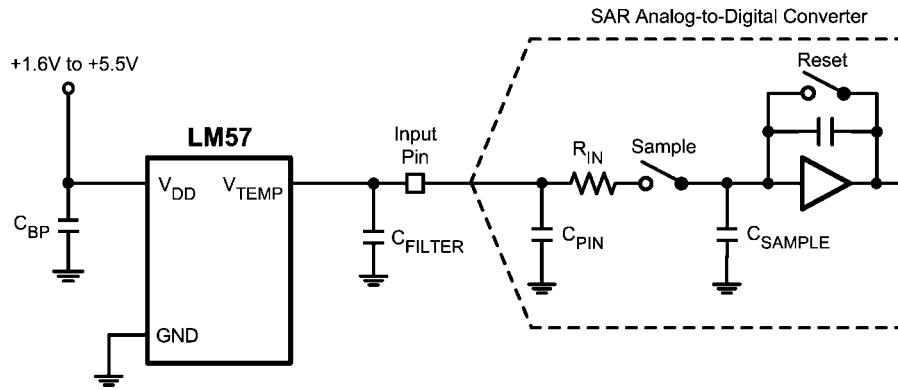
30080561

FIGURE 5. Temperature Switch Using Push-Pull Output



30080562

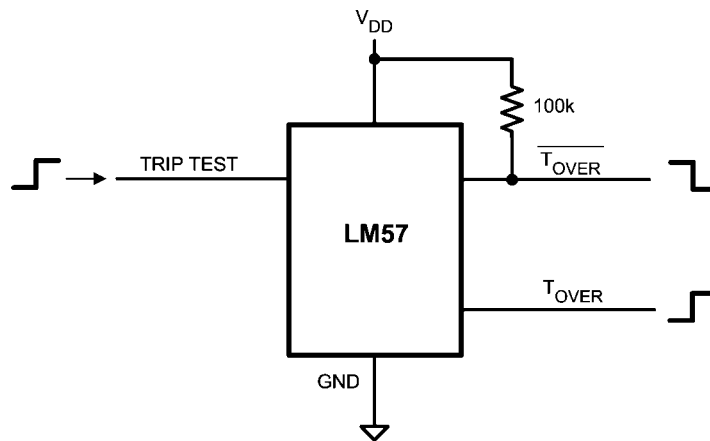
FIGURE 6. Temperature Switch Using Open-Drain Output



30080528

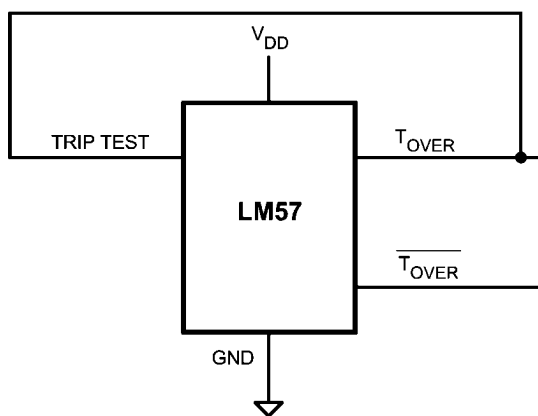
Most CMOS ADCs found in microcontrollers and ASICs have a sampled data comparator input structure. When the ADC charges the sampling cap, it requires instantaneous charge from the output of the analog source such as the LM57 temperature sensor and many op amps. This requirement is easily accommodated by the addition of a capacitor (C_{FILTER}). The size of C_{FILTER} depends on the size of the sampling capacitor and the sampling frequency. Since not all ADCs have identical input stages, the charge requirements will vary. This general ADC application is shown as an example only.

FIGURE 7. Suggested Connection to a Sampling Analog-to-Digital Converter Input Stage



30080560

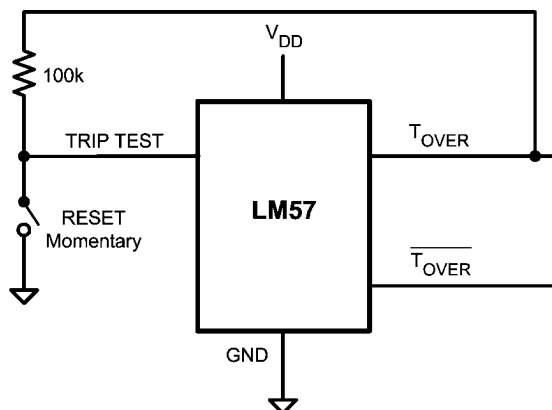
FIGURE 8. TRIP TEST Digital Output Test Circuit



30080573

When T_{OVER} goes active high, it drives Trip Test high. Trip Test high causes T_{OVER} to stay high. It is therefore latched. To release the latch: Power down then power up. The LM57 always comes up in a released condition.

FIGURE 9. Simple Latch Circuit

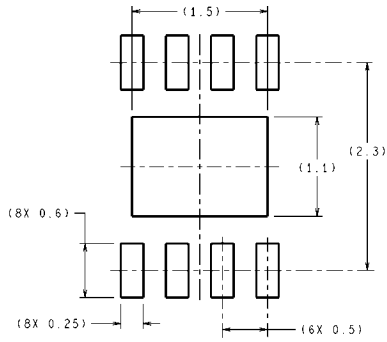


30080565

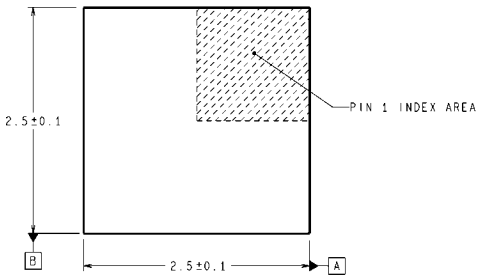
The TRIP TEST pin, normally used to check the operation of the T_{OVER} and \overline{T}_{OVER} pins, may be used to latch the outputs whenever the temperature exceeds the programmed limit and causes the digital outputs to assert. As shown in the figure, when T_{OVER} goes high the TRIP TEST input is also pulled high and causes T_{OVER} output to latch high and the \overline{T}_{OVER} output to latch low. Momentarily switching the TRIP TEST input low will reset the LM57 to normal operation. The resistor limits the current out of the T_{OVER} output pin.

FIGURE 10. Latch Circuit using T_{OVER} Output

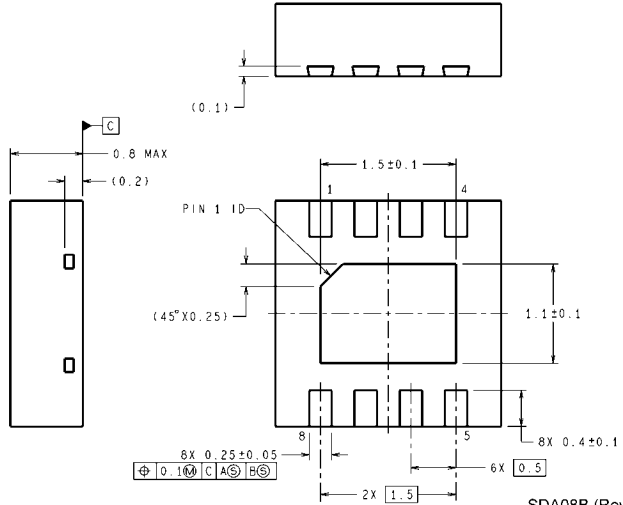
Physical Dimensions inches (millimeters) unless otherwise noted



RECOMMENDED LAND PATTERN



DIMENSIONS ARE IN MILLIMETERS
DIMENSIONS IN () FOR REFERENCE ONLY



8-Pin LLP
NS Package Number SDA08B

SDA08B (Rev A)

Notes

Notes

For more National Semiconductor product information and proven design tools, visit the following Web sites at:
www.national.com

Products		Design Support	
Amplifiers	www.national.com/amplifiers	WEBENCH® Tools	www.national.com/webench
Audio	www.national.com/audio	App Notes	www.national.com/appnotes
Clock and Timing	www.national.com/timing	Reference Designs	www.national.com/refdesigns
Data Converters	www.national.com/adc	Samples	www.national.com/samples
Interface	www.national.com/interface	Eval Boards	www.national.com/evalboards
LVDS	www.national.com/lvds	Packaging	www.national.com/packaging
Power Management	www.national.com/power	Green Compliance	www.national.com/quality/green
Switching Regulators	www.national.com/switchers	Distributors	www.national.com/contacts
LDOs	www.national.com/ldo	Quality and Reliability	www.national.com/quality
LED Lighting	www.national.com/led	Feedback/Support	www.national.com/feedback
Voltage References	www.national.com/vref	Design Made Easy	www.national.com/easy
PowerWise® Solutions	www.national.com/powerwise	Applications & Markets	www.national.com/solutions
Serial Digital Interface (SDI)	www.national.com/sdi	Mil/Aero	www.national.com/milaero
Temperature Sensors	www.national.com/tempensors	SolarMagic™	www.national.com/solarmagic
PLL/VCO	www.national.com/wireless	PowerWise® Design University	www.national.com/training

THE CONTENTS OF THIS DOCUMENT ARE PROVIDED IN CONNECTION WITH NATIONAL SEMICONDUCTOR CORPORATION ("NATIONAL") PRODUCTS. NATIONAL MAKES NO REPRESENTATIONS OR WARRANTIES WITH RESPECT TO THE ACCURACY OR COMPLETENESS OF THE CONTENTS OF THIS PUBLICATION AND RESERVES THE RIGHT TO MAKE CHANGES TO SPECIFICATIONS AND PRODUCT DESCRIPTIONS AT ANY TIME WITHOUT NOTICE. NO LICENSE, WHETHER EXPRESS, IMPLIED, ARISING BY ESTOPPEL OR OTHERWISE, TO ANY INTELLECTUAL PROPERTY RIGHTS IS GRANTED BY THIS DOCUMENT.

TESTING AND OTHER QUALITY CONTROLS ARE USED TO THE EXTENT NATIONAL DEEMS NECESSARY TO SUPPORT NATIONAL'S PRODUCT WARRANTY. EXCEPT WHERE MANDATED BY GOVERNMENT REQUIREMENTS, TESTING OF ALL PARAMETERS OF EACH PRODUCT IS NOT NECESSARILY PERFORMED. NATIONAL ASSUMES NO LIABILITY FOR APPLICATIONS ASSISTANCE OR BUYER PRODUCT DESIGN. BUYERS ARE RESPONSIBLE FOR THEIR PRODUCTS AND APPLICATIONS USING NATIONAL COMPONENTS. PRIOR TO USING OR DISTRIBUTING ANY PRODUCTS THAT INCLUDE NATIONAL COMPONENTS, BUYERS SHOULD PROVIDE ADEQUATE DESIGN, TESTING AND OPERATING SAFEGUARDS.

EXCEPT AS PROVIDED IN NATIONAL'S TERMS AND CONDITIONS OF SALE FOR SUCH PRODUCTS, NATIONAL ASSUMES NO LIABILITY WHATSOEVER, AND NATIONAL DISCLAIMS ANY EXPRESS OR IMPLIED WARRANTY RELATING TO THE SALE AND/OR USE OF NATIONAL PRODUCTS INCLUDING LIABILITY OR WARRANTIES RELATING TO FITNESS FOR A PARTICULAR PURPOSE, MERCHANTABILITY, OR INFRINGEMENT OF ANY PATENT, COPYRIGHT OR OTHER INTELLECTUAL PROPERTY RIGHT.

LIFE SUPPORT POLICY

NATIONAL'S PRODUCTS ARE NOT AUTHORIZED FOR USE AS CRITICAL COMPONENTS IN LIFE SUPPORT DEVICES OR SYSTEMS WITHOUT THE EXPRESS PRIOR WRITTEN APPROVAL OF THE CHIEF EXECUTIVE OFFICER AND GENERAL COUNSEL OF NATIONAL SEMICONDUCTOR CORPORATION. As used herein:

Life support devices or systems are devices which (a) are intended for surgical implant into the body, or (b) support or sustain life and whose failure to perform when properly used in accordance with instructions for use provided in the labeling can be reasonably expected to result in a significant injury to the user. A critical component is any component in a life support device or system whose failure to perform can be reasonably expected to cause the failure of the life support device or system or to affect its safety or effectiveness.

National Semiconductor and the National Semiconductor logo are registered trademarks of National Semiconductor Corporation. All other brand or product names may be trademarks or registered trademarks of their respective holders.

Copyright© 2010 National Semiconductor Corporation

For the most current product information visit us at www.national.com



National Semiconductor
Americas Technical
Support Center
Email: support@nsc.com
Tel: 1-800-272-9959

National Semiconductor Europe
Technical Support Center
Email: europe.support@nsc.com

National Semiconductor Asia
Pacific Technical Support Center
Email: ap.support@nsc.com

National Semiconductor Japan
Technical Support Center
Email: jpn.feedback@nsc.com