

## TW2867C

### 4-Channel Video Decoders and Audio Codecs For Security Applications

FN8257  
Rev. 0.00  
February 9, 2012

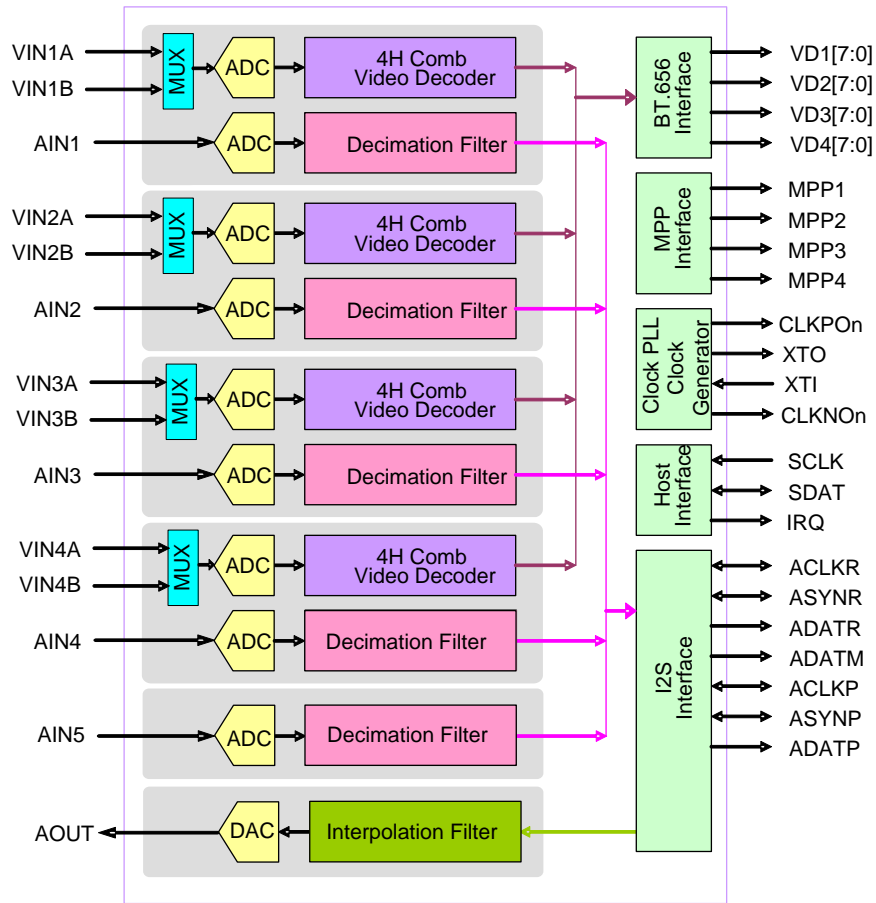
The TW2867 includes four high quality NTSC/PAL/SECAM video decoders that convert analog composite video signal to digital component YCbCr data for security applications. Each channel contains 10 bit ADC and proprietary clamp and gain controllers and utilizes 4H comb filter for separating luminance & chrominance to reduce cross noise artifacts. The TW2867 adopts the image enhancement techniques, such as IF compensation filter, CTI and programmable peaking. The TW2867 also includes audio CODEC, which has five audio Analog-to-Digital converters and one Digital-to-Analog converter. A built-in audio controller can generate digital outputs for recording/mixing and accepts digital input for playback.

- Programmable audio sample rate that covers popular frequencies of 8/16/32/44.1/48kHz
- Supports a two-wire serial host interface
- Integrated clock PLL for 108MHz clock output.
- Ultra low power consumption (Typical 431.88mW)
- 128 pin LQFP package

## Features

- Accepts all NTSC(M/4.43) / PAL(B/D/G/H/I/K/L/M/N/60)/SECAM standards with auto detection
- Integrated four video analog anti-aliasing filters and 10 bit CMOS ADCs
- High performance adaptive 4H comb filters for all NTSC/PAL standards
- IF compensation filter for improvement of color demodulation
- Color Transient Improvement (CTI)
- Automatic white peak control
- Programmable hue, saturation, contrast, brightness and sharpness
- Proprietary fast video locking system for non-realtime application
- Supports the standard ITU-R BT.656 format or time multiplexed output with 54/108MHz
- Provides simultaneous four channel Full D1 and CIF time-multiplexed outputs with 54MHz.
- Integrated five audio ADCs and one audio DAC
- Provides multi-channel audio mixed analog output
- Supports I2S/DSP Master/Slave interface for record output and playback input
- PCM 8/16 bit and u-Law/A-Law 8bit for audio word length

## Block Diagram



## Ordering Information

PART NUMBER (NOTE 1)	PART MARKING	PACKAGE (Pb-free)	PKG. DWG. #
TW2867-QLC1-CR	TW2867 QLC1-CR	128 Ld LQFP	Q128.14x14

NOTE:

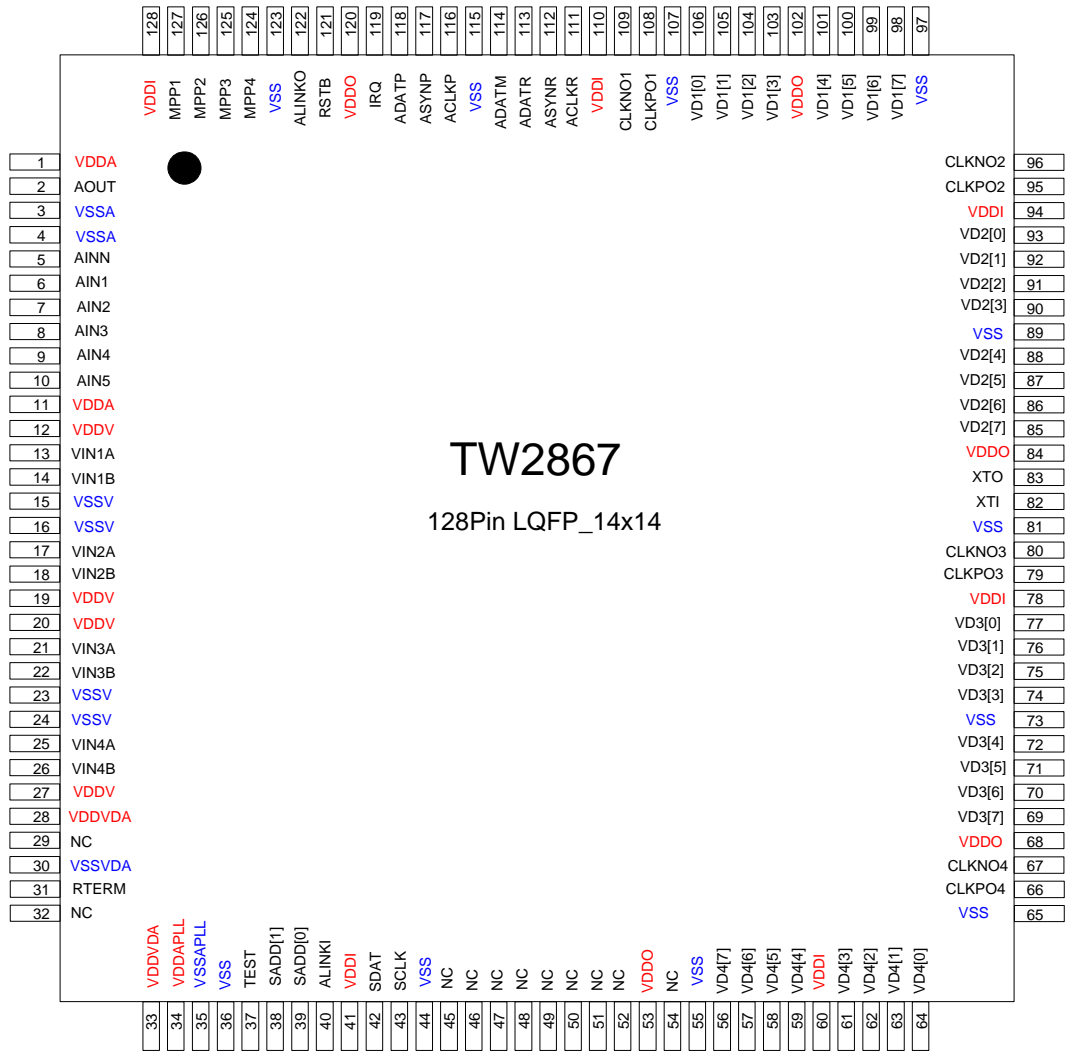
1. These Intersil Pb-free plastic packaged products employ special Pb-free material sets, molding compounds/die attach materials, and 100% matte tin plate plus anneal (e3 termination finish, which is RoHS compliant and compatible with both SnPb and Pb-free soldering operations). Intersil Pb-free products are MSL classified at Pb-free peak reflow temperatures that meet or exceed the Pb-free requirements of IPC/JEDEC J STD-020.

# Table of Contents

Pin Diagram.....	5	0x07(CH1)/0x17(CH2)/0x27(CH3)/0x37(CH4) – Cropping Register, High.....	61
Pin Descriptions .....	6	0x08(CH1)/0x18(CH2)/0x28(CH3)/0x38(CH4) – Vertical Delay Register, Low.....	61
Analog Video/Audio Interface Pins.....	6	0x09(CH1)/0x19(CH2)/0x29(CH3)/0x39(CH4) – Vertical Active Register, Low.....	61
Digital Video/Audio Interface Pins.....	7	0x0A(CH1)/0x1A(CH2)/0x2A(CH3)/0x3A(CH4) – Horizontal Delay Register, Low.....	61
System Control Pins.....	8	0x0B(CH1)/0x1B(CH2)/0x2B(CH3)/0x3B(CH4) – Horizontal Active Register, Low.....	62
Power and Ground Pins.....	9	0x0C(CH1)/0x1C(CH2)/0x2C(CH3)/0x3C(CH4) – Macrovision Detection.....	62
Functional Description .....	10	0x0D(CH1)/0x1D(CH2)/0x2D(CH3)/0x3D(CH4) – Chip STATUS II.....	62
Video Input Formats.....	10	0x0E(CH1)/0x1E(CH2)/0x2E(CH3)/0x3E(CH4) – Standard Selection.....	63
Analog Frontend.....	11	0x0F(CH1)/0x1F(CH2)/0x2F(CH3)/0x3F(CH4) – Standard Recognition.....	64
Decimation Filter.....	12	0xE4(CH1)/0xE7(CH2)/0xEA(CH3)/0xED(CH4) – Vertical Scaling Register, Low.....	64
Automatic Gain Control and Clamping.....	13	0xE5(CH1)/0xE8(CH2)/0xEB(CH3)/0xEE(CH4) – Scaling Register, High.....	64
Sync Processing.....	13	0xE6(CH1)/0xE9(CH2)/0xEC(CH3)/0xEF(CH4) – Horizontal Scaling Register, Low.....	64
Y/C Separation.....	13	0xA4(CH1)/0xA5(CH2)/0xA6(CH3)/0xA7(CH4) – ID Detection Control.....	65
Color Decoding.....	15	0xC4(CH1)/0xC5(CH2)/0xC6(CH3)/0xC7(CH4) – H monitor.....	65
Chrominance Demodulation.....	15	0x80 – Software Reset Control Register.....	65
ACC (Automatic Color gain control).....	16	0x81 – Analog Control Register.....	66
Chrominance Processing.....	16	0x82 – Analog Control Register2.....	66
Chrominance Gain, Offset and Hue Adjustment.....	16	0x83 – Control Register I.....	67
CTI (Color Transient Improvement).....	16	0x84 – Color Killer Hysteresis Control Register.....	67
Luminance Processing.....	16	0x85 – Vertical Sharpness.....	67
Video Cropping.....	17	0x86 – Coring Control Register.....	68
<b>VDELAY + VACTIVE &lt; Total number of lines per field.....</b>	<b>17</b>	0x87 – Clamping Gain.....	68
Video Scaler.....	18	0x88 – Individual AGC Gain.....	68
Output Format.....	21	0x8A – White Peak Threshold.....	68
ITU-R BT.656 Format.....	21	0x8B – Clamp level.....	68
Two Channel ITU-R BT.656 Time-multiplexed Format with 54MHz.....	22	0x8C – Sync Amplitude.....	69
Four Channel CIF Time-multiplexed Format with 54MHz.....	23	0x8D – Sync Miss Count Register.....	69
Four Channel D1 Time-division-multiplexed Format with 108MHz.....	25	0x8E – Clamp Position Register.....	69
Output Enabling Act.....	27	0x8F – Vertical Control I.....	69
Video Output Channel Selection.....	27	0x90 – Vertical Control II.....	70
Extra Sync Output.....	27	0x91 – Color Killer Level Control.....	70
Audio Codec.....	30	0x92 – Comb Filter Control.....	70
Audio Clock Master/Slave mode.....	32	0x93 – Luma Delay and H Filter Control.....	70
Audio Detection.....	32	0x94 – Miscellaneous Control I.....	70
Multi-Chip Operation.....	32	0x95 – LOOP Control Register.....	71
Serial Audio Interface.....	35	0x96 – Miscellaneous Control II.....	71
Playback Input.....	35	0x97 – CLAMP MODE.....	72
Record Output.....	36	0x98 – HSLowCTL.....	72
Mix Output.....	37	0x99 – HSBEGIN.....	72
Audio Clock Slave Mode Data Output Timing.....	38	0x9A – HSEND.....	73
ACLKP/ASYNP Slave Mode Data Input Timing.....	40	0x9B – OVSDLY.....	73
Audio Clock Generation.....	42	0x9C – OVSEND.....	73
Audio Clock Auto Setup.....	44	0x9D – HBLEN.....	73
Host Interface.....	45	0x9E – NOVID.....	74
Serial Interface.....	45	0x9F(CH1)/0x67(CH2)/0x68(CH3)/0x69(CH4) – Clock Output Delay Control Register.....	75
Interrupt Interface.....	46	0xA8 ~0xA9 – Horizontal Scaler Pre-filter Control Register.....	75
Squared Pixel Mode Operation.....	46	0xA8 – Horizontal Scaler Pre-filter Control Register.....	75
Clock PLL.....	47	0xA9 – Horizontal Scaler Pre-filter Control Register.....	76
Control Register.....	48	Video AGC Control.....	76
Register Map.....	48	0xAA – Video AGC Control.....	76
Register Descriptions.....	59	0xAB – Video AGC Control.....	77
0x00(CH1)/0x10(CH2)/0x20(CH3)/0x30(CH4) – Video Status Register.....	59	0xAC – Video AGC Control.....	77
0x01(CH1)/0x11(CH2)/0x21(CH3)/0x31(CH4) – BRIGHTNESS Control Register.....	59	0xAD – Video AGC Control.....	77
0x02(CH1)/0x12(CH2)/0x22(CH3)/0x32(CH4) – CONTRAST Control Register.....	59	0xAE – Video AGC Control.....	77
0x03(CH1)/0x13(CH2)/0x23(CH3)/0x33(CH4) – SHARPNESS Control Register.....	60	0xAF – Vertical Peaking Level Control.....	78
0x04(CH1)/0x14(CH2)/0x24(CH3)/0x34(CH4) – Chroma (U) Gain Register.....	60	0xB0 – Vertical Peaking Level Control.....	78
0x05(CH1)/0x15(CH2)/0x25(CH3)/0x35(CH4) – Chroma (V) Gain Register.....	60		
0x06(CH1)/0x16(CH2)/0x26(CH3)/0x36(CH4) – Hue Control Register.....	60		

0xB1 – NOVIDMODE .....	79	Clock Polarity Control.....	106
Audio ADC Digital Input Offset Control .....	79	0xFB – Clock Polarity Control .....	106
0xB3 – Audio ADC Digital Input Offset Control .....	79	0x6D – Clock Polarity Control .....	107
0xB4 – Audio ADC Digital Input Offset Control .....	80	Enable Video and Audio Detection.....	108
0xB5 – Audio ADC Digital Input Offset Control .....	80	0xFC – Enable Video and Audio Detection.....	108
0xB6 – Audio ADC Digital Input Offset Control .....	80	0x73 – Enable Video and Audio Detection .....	108
0xB7 – Audio ADC Digital Input Offset Control .....	80	Status of Video and Audio Detection.....	109
0x75 – Audio ADC Digital Input Offset Control.....	80	0xFF – Status of Video and Audio Detection .....	109
0x76 – Audio ADC Digital Input Offset Control.....	80	0x74 – Status of Video and Audio Detection .....	109
Analog Audio ADC Digital Output Value.....	81	Device ID and Revision ID Flag.....	109
0xB8 – Analog Audio ADC Digital Output Value.....	81	0xFE – Device ID and Revision ID Flag.....	109
0xB9 – Analog Audio ADC Digital Output Value.....	81	0xFF – Device ID and Revision ID Flag.....	110
0xBA – Analog Audio ADC Digital Output Value .....	81	0x60 – Clock PLL Control.....	110
0xBB – Analog Audio ADC Digital Output Value .....	81	0x61 – 108MHz Clock Select.....	111
0xBC – Analog Audio ADC Digital Output Value .....	81	0x65 – VIDEO Bus Tri-state Control .....	111
0x77 – Analog Audio ADC Digital Output Value.....	81	0x66 – Optional Clock Output.....	112
0x78 – Analog Audio ADC Digital Output Value.....	82	0x6E – Reserved.....	113
Adjusted Analog Audio ADC Digital Input Value.....	82	0x6F – Reserved.....	113
0xBD – Adjusted Analog Audio ADC Digital Input Value.....	82	0x70 – Audio Clock Control.....	113
0xBE – Adjusted Analog Audio ADC Digital Input Value .....	82	0x71 – Digital Audio Input Control.....	114
0xBF – Adjusted Analog Audio ADC Digital Input Value.....	82	ADATM I2S Output Select.....	115
0xC0 – Adjusted Analog Audio ADC Digital Input Value.....	82	0x7B – ADATM I2S Output Select.....	115
0xC1 – Adjusted Analog Audio ADC Digital Input Value.....	83	0x7C – ADATM I2S Output Select.....	116
0x79 – Adjusted Analog Audio ADC Digital Input Value .....	83	AIN5 Record Output .....	116
0x7A – Adjusted Analog Audio ADC Digital Input Value.....	83	0x7D – AIN5 Record Output.....	116
MPP Pin Output Mode Control.....	84	0x89 – Audio Fs Mode Control .....	117
0xC8 – MPP Pin Output Mode Control.....	84	0xB2 – VDLOSS Output .....	117
0xC9 – MPP Pin Output Mode Control.....	85	0x50 – Audio DAC Gain Control.....	118
0xCA – Video Channel Output Control.....	86	0x51 – Audio DAC Low Pass Bias Control .....	119
0xCB – Four Channel CIF Time-multiplexed Format .....	87	0x52 – Audio DAC LPF and Bias Control.....	120
0xCC – 2nd Channel Selection .....	88	0x53 – Audio DAC Test Control .....	121
0xCD – 1st Channel Selection.....	89	0x54 – Audio ADC Control.....	122
0xCE – Analog Power Down Control.....	90	0x58 – AVDS Status(Test Purpose only) .....	122
0xCF – Serial Mode Control.....	90	0x59 – AVDS Power Control(Test Purpose only).....	123
0xD0, 0xD1, 0x7F - Analog Audio Input Gain .....	91	0x5A – VSAVE.....	123
0xD2 – Number of Audio to be Recorded.....	92	0x5B– Video Output Pin Drive .....	124
0xD3, 0xD4, 0xD5, 0xD6, 0xD7, 0xD8, 0xDA – Sequence of Audio to be Recorded.....	93	0x5C– Video Output Pin Drive .....	124
0xDB –Master Control .....	94	0x5D – CH2 Miscellaneous Control II on BGCTL=1 .....	125
u-Law/A-Law Output and Mix Mute Control.....	95	0x5E – CH3 Miscellaneous Control II on BGCTL=1 .....	125
0xDC –u-Law/A-Law Output and Mix Mute Control .....	95	0x5F – CH4 Miscellaneous Control II on BGCTL=1.....	126
0x7E – MIX_MUTE_A5 .....	95	<b>Electrical Information .....</b>	<b>127</b>
Mix Ratio Value .....	96	<b>Absolute Maximum Ratings.....</b>	<b>127</b>
0x72 – Mix Ratio Value.....	96	<b>Recommended Operating Conditions.....</b>	<b>127</b>
0xDD – Mix Ratio Value .....	96	<b>DC Electrical Parameters .....</b>	<b>128</b>
0xDE – Mix Ratio Value .....	97	<b>XTI and Video Data/ Sync Timing.....</b>	<b>129</b>
0xDF – Analog Audio Output Gain.....	97	<b>Digital Serial Audio Interface Timing.....</b>	<b>130</b>
0xE0 – Mix Output Selection.....	98	<b>Serial Host Interface Timing.....</b>	<b>131</b>
Audio Detection Period and Audio Detection Threshold.....	99	<b>Video Decoder Parameter 1.....</b>	<b>132</b>
0xE1 – Audio Detection Period and Audio Detection Threshold.....	99	<b>Video Decoder Parameter 2.....</b>	<b>133</b>
0xE2 – Audio Detection Threshold.....	100	<b>Analog Audio Parameters.....</b>	<b>134</b>
0xE3 – Audio Detection Threshold.....	100	<b>Audio Decimation Filter Response .....</b>	<b>135</b>
Audio Clock Increment .....	100	<b>Application Schematic.....</b>	<b>136</b>
0xF0 – Audio Clock Increment.....	100	<b>Package Outline Drawing .....</b>	<b>137</b>
0xF1 – Audio Clock Increment.....	100	<b>Datasheet Revision History.....</b>	<b>138</b>
0xF2 – Audio Clock Increment.....	100		
Audio Clock Number.....	101		
0xF3 – Audio Clock Number.....	101		
0xF4 – Audio Clock Number.....	101		
0xF5 – Audio Clock Number.....	101		
0xF6 – Serial Clock Divider .....	101		
0xF7 – Left/Right Clock Divider.....	101		
0xF8 – Audio Clock Control .....	102		
0xF9 – Video Miscellaneous Function Control.....	103		
Output Enable Control and Clock Output Control.....	104		
0xFA – Output Enable Control and Clock Output Control.....	104		
0x6A – Clock Output Control .....	105		
0x6B – Clock Output Control .....	105		
0x6C – Output Enable Control and Clock Output Control.....	106		

# Pin Diagram



## Pin Descriptions

### Analog Video/Audio Interface Pins

NAME	NUMBER	TYPE	DESCRIPTION
VIN1A	13	A	Composite video input A of channel 1.
VIN1B	14	A	Composite video input B of channel 1.
VIN2A	17	A	Composite video input A of channel 2.
VIN2B	18	A	Composite video input B of channel 2.
VIN3A	21	A	Composite video input A of channel 3.
VIN3B	22	A	Composite video input B of channel 3.
VIN4A	25	A	Composite video input A of channel 4.
VIN4B	26	A	Composite video input B of channel 4.
NC	29	A	Not connected.
NC	32	A	Not connected.
RTERM	31	A	Analog video resistance term.
AIN1	6	A	Audio input of channel 1.
AIN2	7	A	Audio input of channel 2.
AIN3	8	A	Audio input of channel 3.
AIN4	9	A	Audio input of channel 4.
AIN5	10	A	Audio input of channel 5.
AINN	5	A	Audio input negative control.
AOUT	2	A	Audio mixing output.

## Digital Video/Audio Interface Pins

NAME	NUMBER	TYPE	DESCRIPTION
VD1[7:0]	98,99,100,101, 103,104,105,106	0	Video data output of channel 1.
VD2[7:0]	85,86,87,88, 90,91,92,93	0	Video data output of channel 2.
VD3[7:0]	69,70,71,72, 74,75,76,77	0	Video data output of channel 3.
VD4[7:0]	56,57,58,59, 61,62,63,64	0	Video data output of channel 4.
MPP1	127	0	HS/VS/FLD/ACTIVE/NOVID of channel 1.
MPP2	126	0	HS/VS/FLD/ACTIVE/NOVID of channel 2.
MPP3	125	0	HS/VS/FLD/ACTIVE/NOVID of channel 3.
MPP4	124	0	HS/VS/FLD/ACTIVE/NOVID of channel 4.
NC	45,46,47,48, 49,50,51,52	I	Not connected.
ACLKR	111	IO	Audio serial clock input/output of record.
ASYNR	112	IO	Audio serial sync input/output of record.
ADATR	113	0	Audio serial data output of record.
ADATM	114	0	Audio serial data output of mixing.
ACLKP	116	IO	Audio serial clock input/output of playback.
ASYNP	117	IO	Audio serial sync input/output of playback.
ADATP	118	I	Audio serial data input of playback.
ALINKI	40	I	Audio Multi-chip operation serial input.
ALINKO	122	0	Audio Multi-chip operation serial output.

## System Control Pins

NAME	NUMBER	TYPE	DESCRIPTION
RSTB	121	I	System reset.
XTI	82	I	Crystal 54MHz(27MHz) connection or Oscillator clock input.
XTO	83	O	For crystal 54MHz(27MHz) connection.
CLKP01	108	O	27/54/108MHz clock output.
CLKN01	109	O	27/54/108MHz clock output.
CLKP02	95	O	27/54/108MHz clock output.
CLKN02	96	O	27/54/108MHz clock output.
CLKP03	79	O	27/54/108MHz clock output.
CLKN03	80	O	27/54/108MHz clock output.
CLKP04	66	O	27/54/108MHz clock output.
CLKN04	67	O	27/54/108MHz clock output.
NC	54	I/O	Not connected.
TEST	37	I	Test pin. Connect to ground.
SCLK	43	I	Serial control clock line.
SDAT	42	IO	Serial control data line.
SADD[1:0]	38,39	I	Serial control address.
IRQ	119	O	Interrupt request output.



## Power and Ground Pins

NAME	NUMBER	TYPE	DESCRIPTION
VDDI	41,60,78,94 110,128	P	1.2V Power for internal logic.
VDDO	53,68,84, 102,120	P	3.3V Power for output driver.
VSS	36,44,55,65, 73,81,89,97, 107,115,123	G	Ground for internal logic and output driver.
VDDV	12,19,20,27	P	3.3V Power for analog video ADC.
VSSV	15,16,23,24	G	Ground for analog video ADC.
VDDVDA	28,33	P	3.3V Power for analog.
VSSVDA	30	G	Ground for analog.
VDDA	1,11	P	3.3V Power for analog audio.
VSSA	3,4	G	Ground for analog audio.
VDDAPLL	34	P	3.3V Power for analog clock PLL.
VSSAPLL	35	G	Ground for analog clock PLL.

# Functional Description

## Video Input Formats

The TW2867 has built-in automatic standard discrimination circuitry. The circuit uses burst-phase, burst-frequency and frame rate to identify NTSC, PAL or SECAM color signals. The standards that can be identified are NTSC (M), NTSC (4.43), PAL (B, D, G, H, I), PAL (M), PAL (N), PAL (60) and SECAM (M). Each standard can be included or excluded in the standard recognition process by software control. The exceptions are the base standard NTSC and PAL, which are always enabled. The identified standard is indicated by the Standard Selection (SDT) register. Automatic standard detection can be overridden by software controlled standard selection.

TW2867 supports all common video formats as shown in Table 1.

TABLE 1. VIDEO INPUT FORMATS SUPPORTED BY THE TW2867

FORMAT	LINES	FIELDS	FSC	COUNTRY
NTSC-M	525	60	3.579545 MHz	U.S., many others
NTSC-Japan (4)	525	60	3.579545 MHz	Japan
PAL-B, G, N	625	50	4.433619 MHz	Many
PAL-D	625	50	4.433619 MHz	China
PAL-H	625	50	4.433619 MHz	Belgium
PAL-I	625	50	4.433619 MHz	Great Britain, others
PAL-M	525	60	3.575612 MHz	Brazil
PAL-CN	625	50	3.582056 MHz	Argentina
SECAM	625	50	4.406MHz 4.250MHz	France, Eastern Europe, Middle East, Russia
PAL-60	525	60	4.433619 MHz	China
NTSC (4.43)	525	60	4.433619 MHz	Transcoding

NOTE:

2. NTSC-Japan has 0 IRE setup.

## Analog Frontend

The TW2867 contains four 10-bit ADC (Analog to Digital Converters) to digitize the analog video inputs. The ADC can be put into power-down mode by the V\_ADC\_PWDN register. The TW2867 also contains an anti-aliasing filter to prevent out-of-band frequency in analog video input signal. So there is no need of external components in analog input pin except ac coupling capacitor and termination resistor. The following Figure 1 shows the frequency response of the anti-aliasing filter.

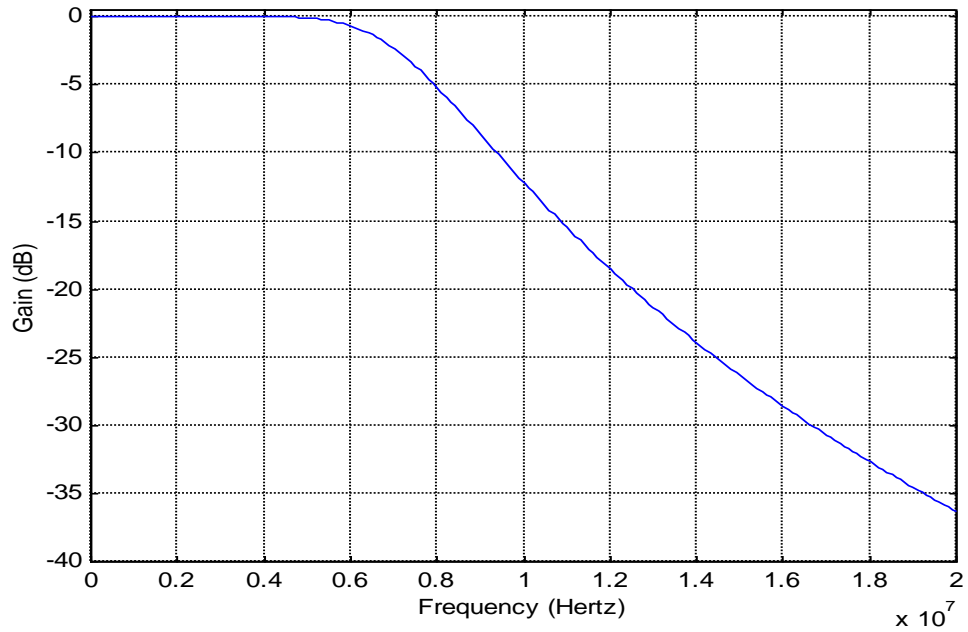


FIGURE 1. THE FREQUENCY RESPONSE OF ANTI-ALIASING FILTER

## DECIMATION FILTER

The digitized composite video data are over-sampled to simplify the design of analog filter. The decimation filter is required to achieve optimum performance and prevent high frequency components from being aliased back into the video image when down-sampled. Figure 2 shows the characteristic of the decimation filter.

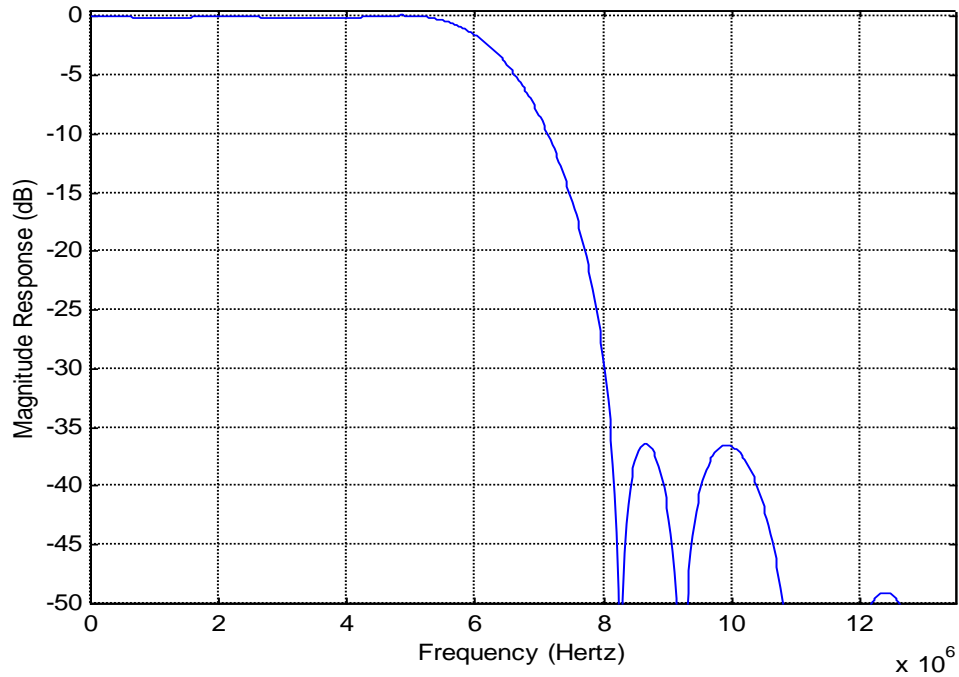


FIGURE 2. THE CHARACTERISTIC OF THE DECIMATION FILTER

## Automatic Gain Control and Clamping

All four analog channels have built-in clamping circuit that restores the signal DC level. The Y channel restores the back porch of the digitized video to a level of 60. This operation is automatic through internal feedback loop. The Automatic Gain Control (AGC) of the Y channel adjusts input gain so that the sync tip is at a desired level. Programmable white peak protection logic is included to prevent saturation in the case of abnormal signal proportion between sync and white peak level.

## Sync Processing

The sync processor of TW2867 detects horizontal synchronization and vertical synchronization signals in the composite video or in the Y signal of an S-video or component signal. The processor contains a digital phase-locked-loop and decision logic to achieve reliable sync detection in stable signal as well as in unstable signals such as those from VCR fast forward or backward.

The vertical sync separator detects the vertical synchronization pattern in the input video signals. In addition, the actual sync determination is controlled by a detection window to provide more reliable synchronization. An option is available to provide faster responses for certain applications. The field status is determined at vertical synchronization time. The field logic can also be controlled to toggle automatically while tracking the input.

## Y/C Separation

The color-decoding block contains the luma/chroma separation for the composite video signal and multi-standard color demodulation. For NTSC and PAL standard signals, the luma/chroma separation can be done either by comb filter or notch/band-pass filter combination. For SECAM standard signals, adaptive notch/band-pass filter is used. The default selection for NTSC/PAL is comb filter.

In the case of comb filter, the TW2867 separates luma (Y) and chroma (C) of a NTSC/PAL composite video signal using a proprietary 4H adaptive comb filter. The filter uses a four-line buffer. Adaptive logic combines the upper-comb and the lower-comb results based on the signal changes among the previous, current and next lines. This technique leads to excellent Y/C separation with small cross luma and cross color at both horizontal and vertical edges.

Due to the line buffer used in the comb filter, there is always two lines processing delay at the output except for the component input mode which has only one line delay.

If notch/band-pass filter is selected, the characteristics of the filters are shown in the filter curve section.

Figure 3 shows the frequency response of notch filter for each system NTSC and PAL. Figure 4 shows the frequency response of Chroma Band Pass Filter Curves.

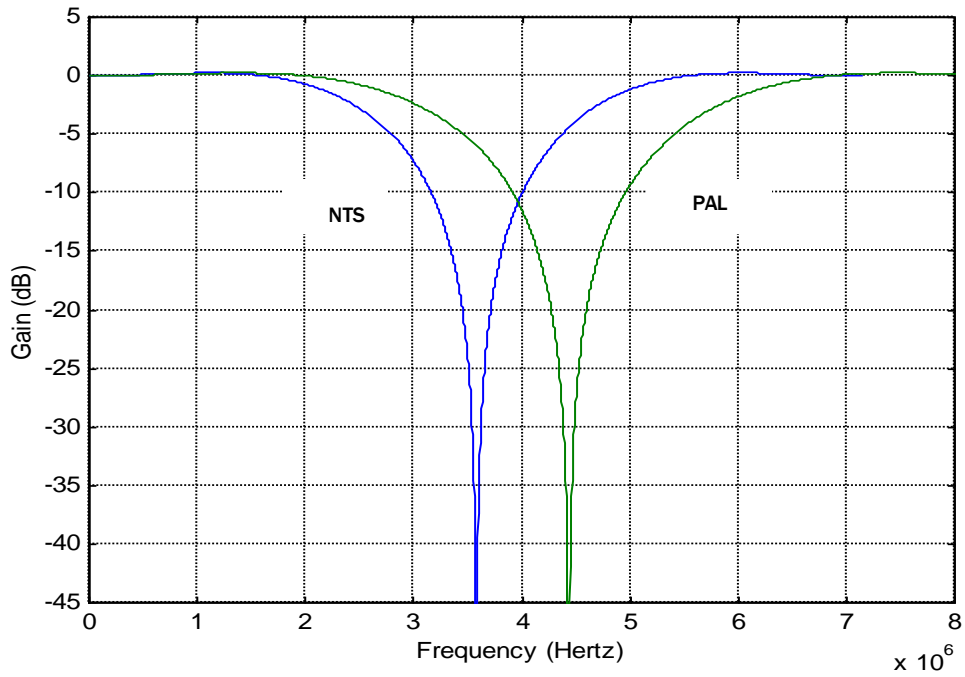


FIGURE 3. THE CHARACTERISTICS OF LUMINANCE NOTCH FILTER FOR PAL

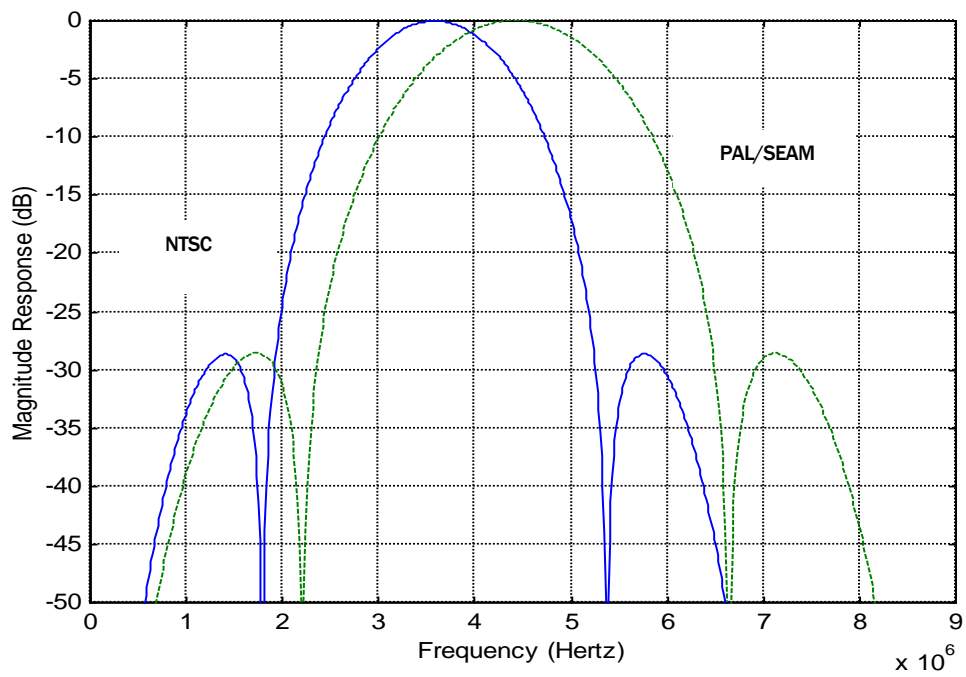


FIGURE 4. CHROMA BAND PASS FILTER CURVES

## Color Decoding

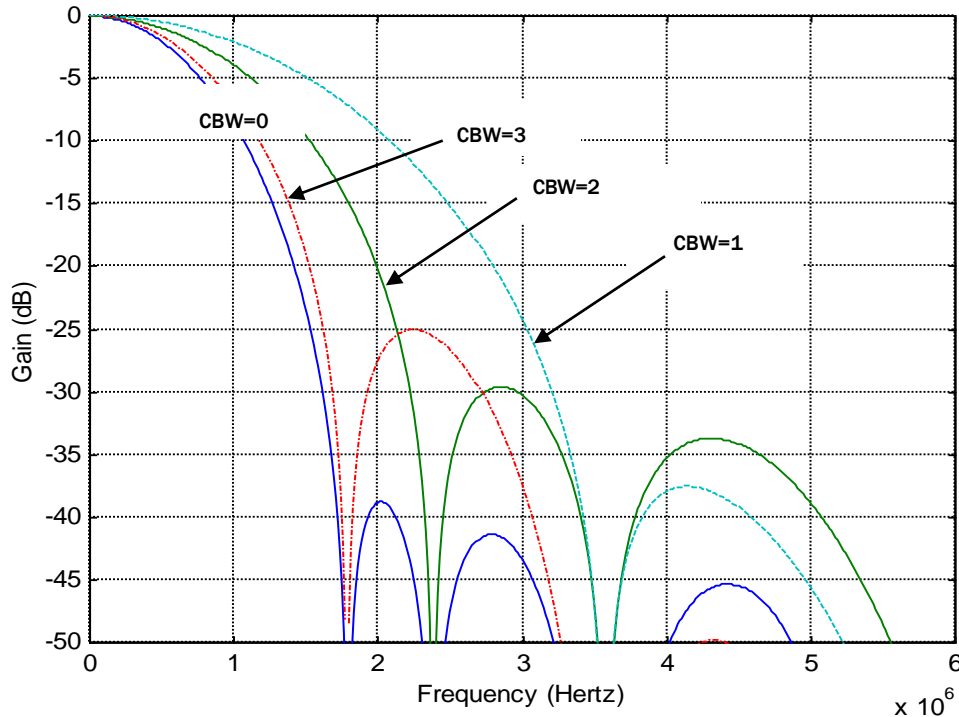
### CHROMINANCE DEMODULATION

The color demodulation for NTSC and PAL standard is done by first quadrature mixing the chroma signal to the base band. A low-pass filter is then used to remove carrier signal and yield chroma components. The low-pass filter characteristic can be selected for optimized transient color performance. For the PAL system, the PAL ID or the burst phase switching is identified to aid the PAL color demodulation.

For SECAM, the color information is FM modulated onto different carrier. The demodulation process therefore consists of FM demodulator and de-emphasis filter. During the FM demodulation, the chroma carrier frequency is identified and used to control the SECAM color demodulation.

**THE SUB-CARRIER SIGNAL FOR USE IN THE COLOR DEMODULATOR IS GENERATED BY DIRECT DIGITAL SYNTHESIS PLL THAT LOCKS ONTO THE INPUT SUB-CARRIER REFERENCE (COLOR BURST). THIS ARRANGEMENT ALLOWS ANY SUB-STANDARD OF NTSC AND PAL TO BE DEMODULATED EASILY WITH SINGLE CRYSTAL FREQUENCY.**

Figure 5 shows the frequency response of Chrominance Low-Pass Filter Curves.



**FIGURE 5. CHROMINANCE LOW-PASS FILTER CURVES**

## ACC (AUTOMATIC COLOR GAIN CONTROL)

The Automatic Chroma Gain Control (ACC) compensates for reduced amplitudes caused by high-frequency loss in video signal. In the NTSC/PAL standard, the color reference signal is the burst on the back porch. It is measured to control the chroma output gain. The range of ACC control is -6db to +24db.

## Chrominance Processing

### CHROMINANCE GAIN, OFFSET AND HUE ADJUSTMENT

When decoding NTSC signals, TW2867 can adjust the hue of the chroma signal. The hue is defined as a phase shift of the subcarrier with respect to the burst. This phase shift of NTSC decoding can be programmed through a control register. For the PAL standard, the PAL delay line is provided to compensate any hue error; therefore, there is no hue adjustment available. The color saturation can be adjusted by changing the gain of Cb and Cr signals for all NTSC, PAL and SECAM formats. The Cb and Cr gain can be adjusted independently for flexibility.

### CTI (COLOR TRANSIENT IMPROVEMENT)

The TW2867 provides the Color Transient Improvement function to further enhance the image quality. The CTI enhance the color edge transient without any overshoot or under-shoot.

## Luminance Processing

The TW2867 adjusts brightness by adding a programmable value (in register BRIGHTNESS) to the Y signal. It adjusts the picture contrast by changing the gain (in register CONTRAST) of the Y signal.

The TW2867 also provide programmable peaking function to further enhance the video sharpness. The peaking control has built-in coring function to prevent enhancement of noise.

Figure 6 shows the characteristics of the peaking filter for four different gain modes and different center frequencies.

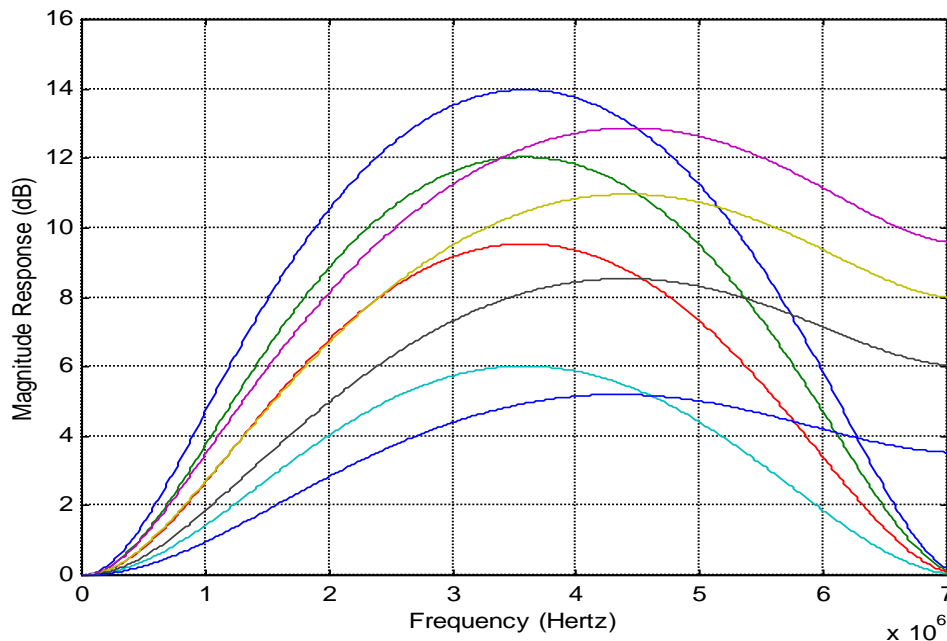


FIGURE 6. THE CHARACTERISTIC OF LUMINANCE PEAKING FILTER



## Video Cropping

Cropping allows only subsection of a video image to be output. The active video region is determined by HDELAY, HACTIVE, VDELAY and VACTIVE register as illustrated in Fig7. The VACTIVE signal can be programmed to indicate the number of active lines to be displayed in a video field, and the HACTIVE signal can be programmed to indicate the number of active pixels to be displayed in a video line. The start of the field or frame in the vertical direction is indicated by the leading edge of VSYNC. The start of the line in the horizontal direction is indicated by the leading edge of the HSYNC. The start of the active lines from vertical sync edge is indicated by the VDELAY register. The start of the active pixels from the horizontal edge is indicated by the HDELAY register. The sizes and location of the active video are determined by HDELAY, HACTIVE, VDELAY, and VACTIVE registers. These registers are 8-bit wide, the lower 8-bits is, respectively, in HDELAY\_LO, HACTIVE\_LO, VDELAY\_LO, and VACTIVE\_LO. Their upper 2-bit shares the same register CROP\_HI.

The Horizontal delay register (HDELAY) determines the number of pixels delay between the leading edge of HSYNC and the leading edge of the HACTIVE. Note that this value is referenced to the un-scaled pixel number. The Horizontal active register (HACTIVE) determines the number of active pixels to be output or scaled after the delay from the sync edge is met. This value is also referenced to the un-scaled pixel number. Therefore, if the scaling ratio is changed, the active video region used for scaling remain unchanged as set by the HACTIVE register, but the valid pixels output are equal or reduced due to down scaling. In order for the cropping to work properly, the following equation should be satisfied.

$$\text{HDELAY} + \text{HACTIVE} < \text{Total number of pixels per line.}$$

For NTSC output at 13.5 MHz pixel rate, the total number of pixels is 858. For PAL output at 13.5 MHz rate, the total number of pixels is 864. HACTIVE should be set to 720.

The Vertical delay register (VDELAY) determines the number of lines delay between the leading edge of the VSYNC and the start of the active video lines. It indicates number of lines to skip at the start of a frame before asserting the VACTIVE signal. This value is referenced to the incoming scan lines before the vertical scaling. The number of scan lines is 525 for the 60Hz systems and 625 for the 50Hz systems. The Vertical active register (VACTIVE) determines the number of lines to be used in the vertical scaling. Therefore, the number of scan lines output is equal or less than the value set in this register depending on the vertical scaling ratio. In order for the vertical cropping to work properly, the following equation should be observed.

$$\text{VDELAY} + \text{VACTIVE} < \text{Total number of lines per field}$$

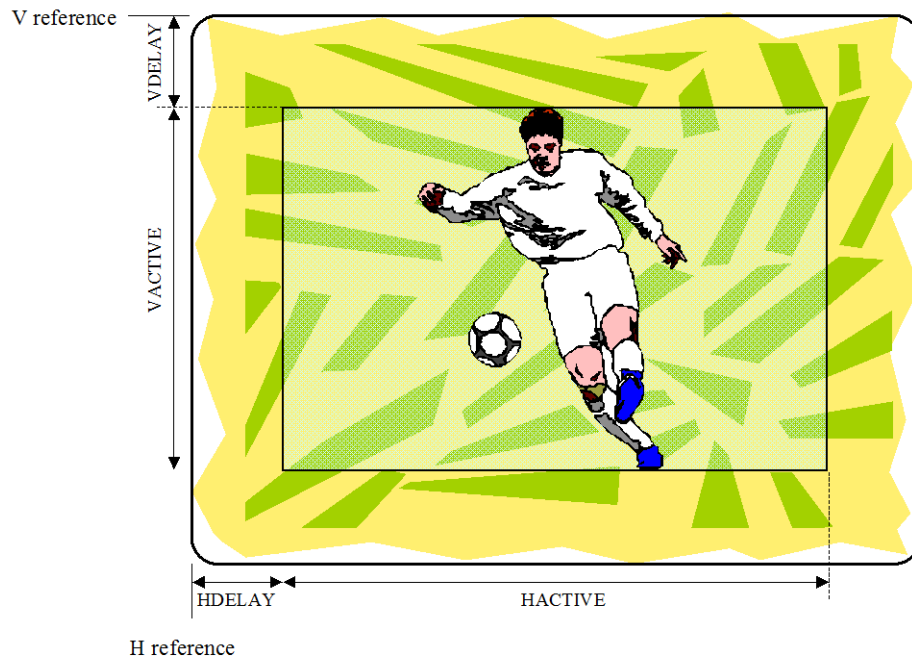


FIGURE 7. THE EFFECT OF CROPPING REGISTERS

## Video Scaler

The TW2867 can independently reduce the output video image size in both horizontal and vertical directions using arbitrary scaling ratios up to 1/16 in each direction. The horizontal scaling employs a dynamic 6-tap 32-phase interpolation filter for luma and a 2-tap 8-phase interpolation filter for chroma because of the limited bandwidth of the chroma data. The vertical scaling uses simple line dropping algorithm. Therefore, the use of non-integer vertical scaling ration is not recommended.

Downscaling is achieved by programming the horizontal scaling ratio register (HSCALE) and vertical scaling ratio register (VSCALE). When outputting unscaled video, the TW2867 will output CCIR601 compatible 720 pixels per line or any number of pixels per line as specified by the HACTIVE register. The standard output for Square Pixel mode is 640 pixels for 60 Hz system and 768 pixels for 50 Hz systems. If the number of output pixels required is smaller than 720 in CCIR601 compatible mode or the number specified by the HACTIVE register, the 12-bit HSCALE register, which is the concatenation of two 8-bit registers SCALE\_HI and HSCALE\_LO, is used to reduce the output pixels to the desired number.

Following is an example using pixel ratio to determine the horizontal scaling ratio. These equations should be used to determine the scaling ratio to be written into the 12-bit HSCALE register assuming HACTIVE is programmed with 720 active pixels per line:

$$\text{NTSC:} \quad \text{HSCALE} = \lceil 720 / N_{\text{pixel\_desired}} \rceil * 256$$

$$\text{PAL:} \quad \text{HSCALE} = \lceil (720 / N_{\text{pixel\_desired}}) \rceil * 256$$

Where:  $N_{\text{pixel\_desired}}$  is the nominal number of pixel per line.

For example, to output a CCIR601 compatible NTSC stream at SIF resolution, the HSCALE value can be found as:

$$\text{HSCALE} = \lceil (720 / 320) \rceil * 256 = 576 = 0x0240$$

However, to output a SQ compatible NTSC stream at SIF resolution, the HSCALE value should be found as:

$$\text{HSCALE} = \lceil (640/320) \rceil * 256 = 512 = 0x200$$

In this case, with total resolution of 768 per line, the HACTIVE should have a value of 640.

The vertical scaling determines the number of vertical lines output by the TW2867. The vertical scaling register (VSCALE) is a 12-bit register, which is the concatenation of a 4-bit register SCALE\_HI and an 8-bit register VSCALE\_LO. The maximum scaling ratio is 16:1. Following equations should be used to determine the scaling ratio to be written into the 12-bit VSCALE register assuming VACTIVE is programmed with 240 or 288 active lines per field.

$$\text{60Hz system: } \text{VSCALE} = \lceil 240 / N_{\text{line\_desired}} \rceil * 256$$

$$\text{50Hz system: } \text{VSCALE} = \lceil 288 / N_{\text{line\_desired}} \rceil * 256$$

Where:  $N_{\text{line\_desired}}$  is the number of active lines output per field.

The scaling ratios for some popular formats are listed in Table 2. Figure 8 shows Horizontal Scaler Pre-Filter Curves.

TABLE 2. HSCALE AND VSCALE VALUE FOR SOME POPULAR VIDEO FORMATS.

SCALING RATIO	FORMAT	TOTAL RESOLUTION	OUTPUT RESOLUTION	HSCALE VALUES	VSCALE (FRAME)
1:1	NTSC SQ	780x525	640x480	0x0100	0x0100
	NTSC CCIR601	858x525	720x480	0x0100	0x0100
	PAL SQ	944x625	768x576	0x0100	0x0100
	PAL CCIR601	864x625	720x576	0x0100	0x0100
2:1 (CIF)	NTSC SQ	390x262	320x240	0x0200	0x0200
	NTSC CCIR601	429x262	360x240	0x0200	0x0200
	PAL SQ	472x312	384x288	0x0200	0x0200
	PAL CCIR601	432x312	360x288	0x0200	0x0200
4:1 (QCIF)	NTSC SQ	195x131	160x120	0x0400	0x0400
	NTSC CCIR601	214x131	180x120	0x0400	0x0400
	PAL SQ	236x156	192x144	0x0400	0x0400
	PAL CCIR601	216x156	180x144	0x0400	0x0400

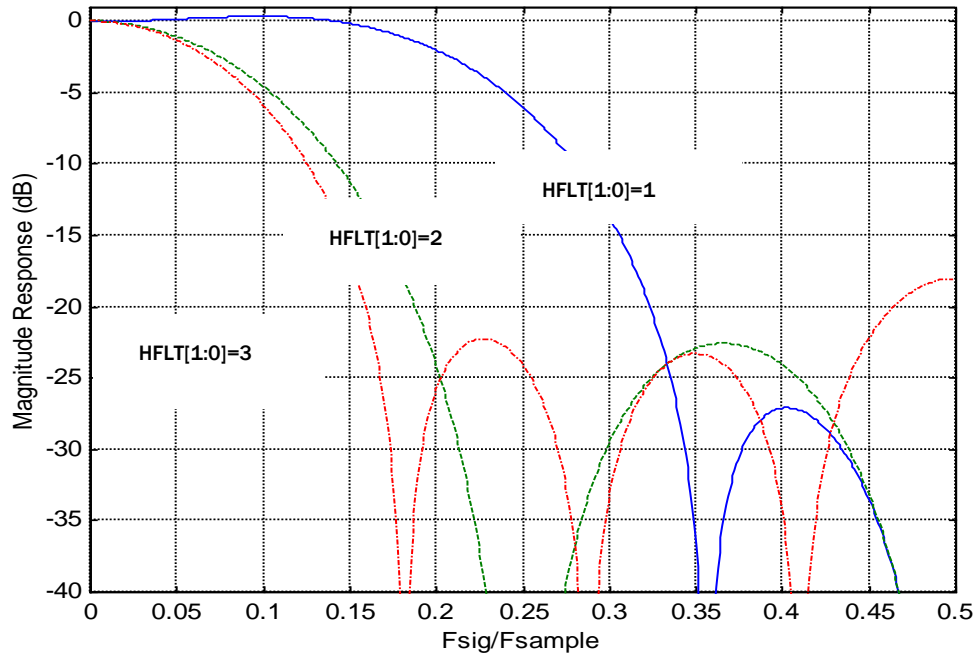


FIGURE 8. HORIZONTAL SCALER PRE-FILTER CURVES

## Output Format

The TW2867 supports a standard ITU-R BT.656 format. All video data and timing signal of four channels are synchronous with the pins CLKPO<sub>n</sub> or CLKNO<sub>n</sub> output. Therefore, CLKPO<sub>n</sub> or CLKNO<sub>n</sub> can be connected to four channel interfaces for synchronizing data. And, the phase of CLKPO<sub>n</sub> or CLKNO<sub>n</sub> can be controlled by delay unit via the CLKPO<sub>n</sub>\_DEL or CLKNO<sub>n</sub>\_DEL registers and polarity inverse cell via the CLKPO<sub>n</sub>\_POL or CLKNO<sub>n</sub>\_POL registers independently.

### ITU-R BT.656 FORMAT

In ITU-R BT.656 format, SAV and EAV sequences are inserted into the data stream to indicate the active video time. It is noted that the number of active pixels per line is constant in this mode regardless of the actual incoming line length. The output timing is illustrated in. The SAV and EAV sequences are shown in Table 3. An optional set of 656 SAV/EAV code sequence can be enabled to identify no-video status using the NOVID\_656 bit.

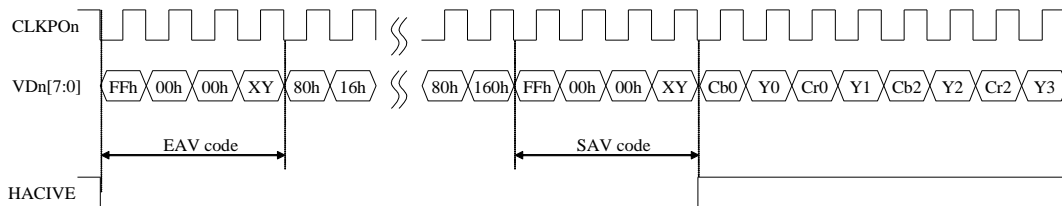


FIGURE 9. TIMING DIAGRAM OF ITU-R BT.656 FORMAT

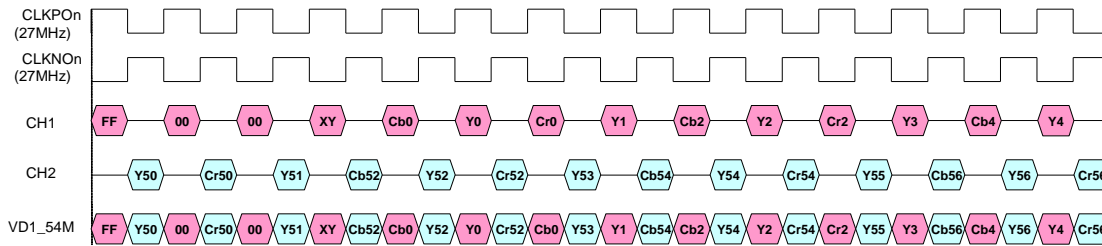
TABLE 3. ITU-R BT.656 SAV AND EAV CODE SEQUENCE

CONDITION			656 FVH VALUE			SAV/EAV CODE SEQUENCE				
FIELD	V TIME	H TIME	F	V	H	FIRST	SECOND	THIRD	FOURTH	
									NORMAL	OPTION*
EVEN	Blank	EAV	1	1	1	0xFF	0x00	0x00	0xF1	0x71
EVEN	Blank	SAV	1	1	0	0xFF	0x00	0x00	0xEC	0x6C
EVEN	Active	EAV	1	0	1	0xFF	0x00	0x00	0xDA	0x5A
EVEN	Active	SAV	1	0	0	0xFF	0x00	0x00	0xC7	0x47
ODD	Blank	EAV	0	1	1	0xFF	0x00	0x00	0xB6	0x36
ODD	Blank	SAV	0	1	0	0xFF	0x00	0x00	0xAB	0x2B
ODD	Active	EAV	0	0	1	0xFF	0x00	0x00	0x9D	0x1D
ODD	Active	SAV	0	0	0	0xFF	0x00	0x00	0x80	0x00

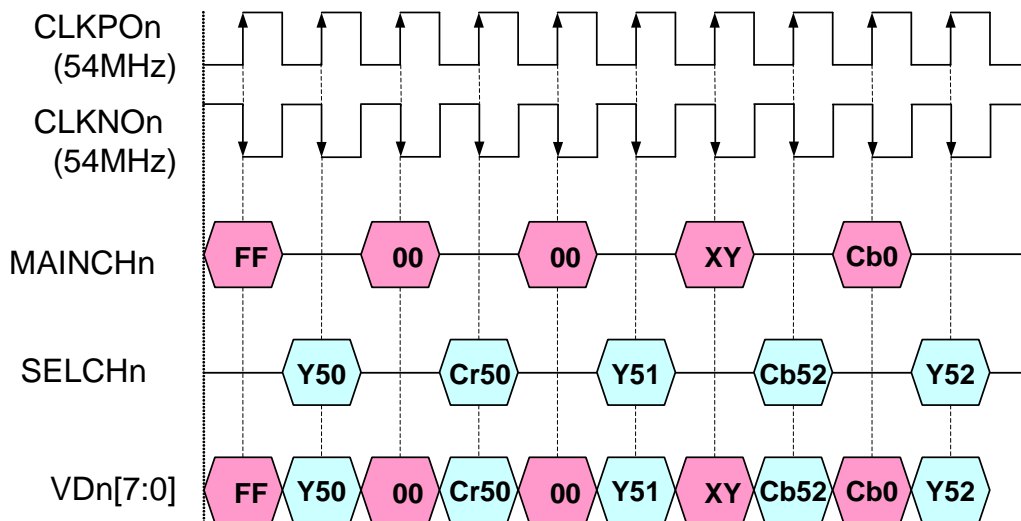
NOTE: \* OPTION INCLUDES VIDEO LOSS INFORMATION IN ITU-R BT.656

**TWO CHANNEL ITU-R BT.656 TIME-MULTIPLEXED FORMAT WITH 54MHZ**

The TW2867 supports two channels ITU-R BT.656 time-multiplexed format with 54MHz that is useful to security application requiring two channel outputs through one channel video port. The CHMDn register enables the dual ITU-R BT.656 time-multiplexed format and the MAINCHn/SELCHn register selects channel output to be multiplexed with its own channel on each VD pins. To de-multiplex the time-multiplexed data in the back end chip, the channel ID can be inserted in the data stream using the CHID\_MD register. Two kinds of channel ID format can be supported. One is horizontal blanking code with channel ID and the other is ITU-R BT.656 sync code with channel ID. Figure 10 illustrates the logical timing diagram in the case of CH1 and CH2 time-multiplexed output through CH1 video output port. Figure 11 and Figure 12 illustrate VDn[7:0]/CLKPOn/CLKNOn pin default timing with 54MHz/27MHz clock output mode.



**FIGURE 10. TIMING DIAGRAM OF TWO CHANNEL TIME-MULTIPLEXED FORMAT**



**FIGURE 11. PIN OUTPUT TIMING OF TWO CHANNEL TIME-MULTIPLEXED FORMAT WITH 54MHZ CLOCK.**

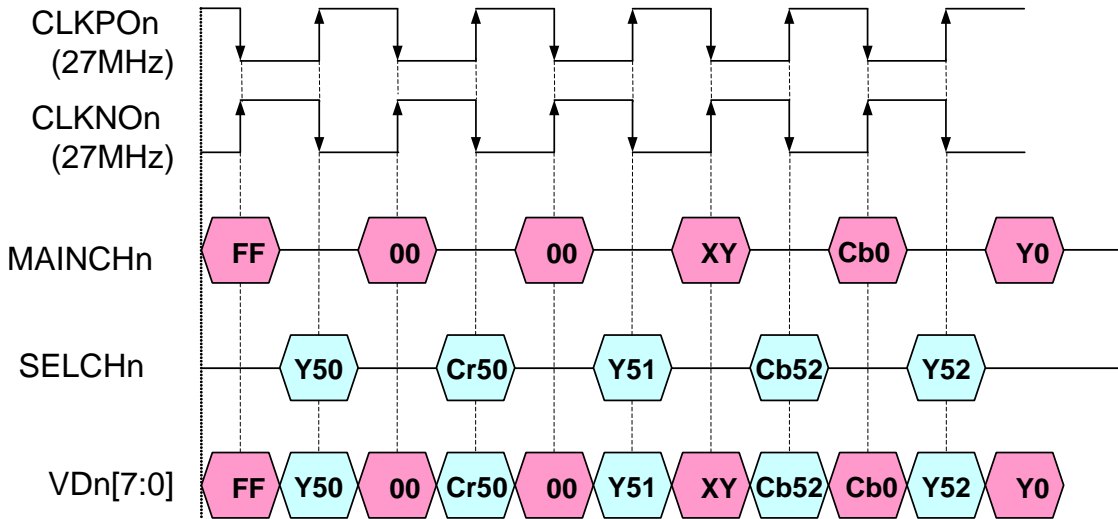


FIGURE 12. PIN OUTPUT TIMING OF TWO CHANNEL TIME-MULTIPLEXED FORMAT WITH 27MHZ CLOCK.

**FOUR CHANNEL CIF TIME-MULTIPLEXED FORMAT WITH 54MHZ**

Four channel CIF (360x480) time-multiplexed format is also provided for specific security application using the CIF\_54M register. For this format, each channel ITU-R BT.656 data stream is down-sampled into 13.5MHz ITU-R BT.656 data stream except the sync code. Optionally, the vertical scaling can also be enabled to support Quad (360x240) format using the VSCL\_ENA register. Then, these four 13.5MHz ITU-R BT.656 data stream are time-multiplexed into 54MHz data stream. This format requires only one channel video port to transfer whole four channel CIF data independently. When CIF\_54M register is set to 1, TW2867 can support one channel video port to transfer whole four channel CIF data independently and the other video port to transfer two channel Full D1 ITU-R BT.656 time-multiplexed format simultaneously. To de-multiplex the time-multiplexed data in the back end chip, the channel ID can be inserted in the data stream using the CHID\_MD register. Two kinds of channel ID format can be supported. One is horizontal blanking code with channel ID and the other is ITU-R BT.656 sync code with channel ID. Optionally, when the vertical scaling is enabled, the ITU-R BT.656 sync code will be skipped in the invalid line through the VSCL\_SYNC register. Figure 13, Figure 14 and Table 4 illustrates the timing diagram and detailed channel ID format for four channel CIF time-multiplexed format with 54MHz.

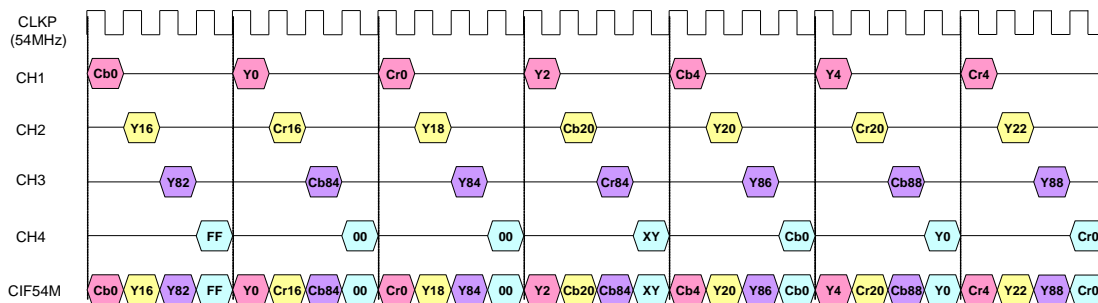


FIGURE 13. LOGICAL TIMING DIAGRAM OF 4 CH CIF TIME-MULTIPLEXED FORMAT

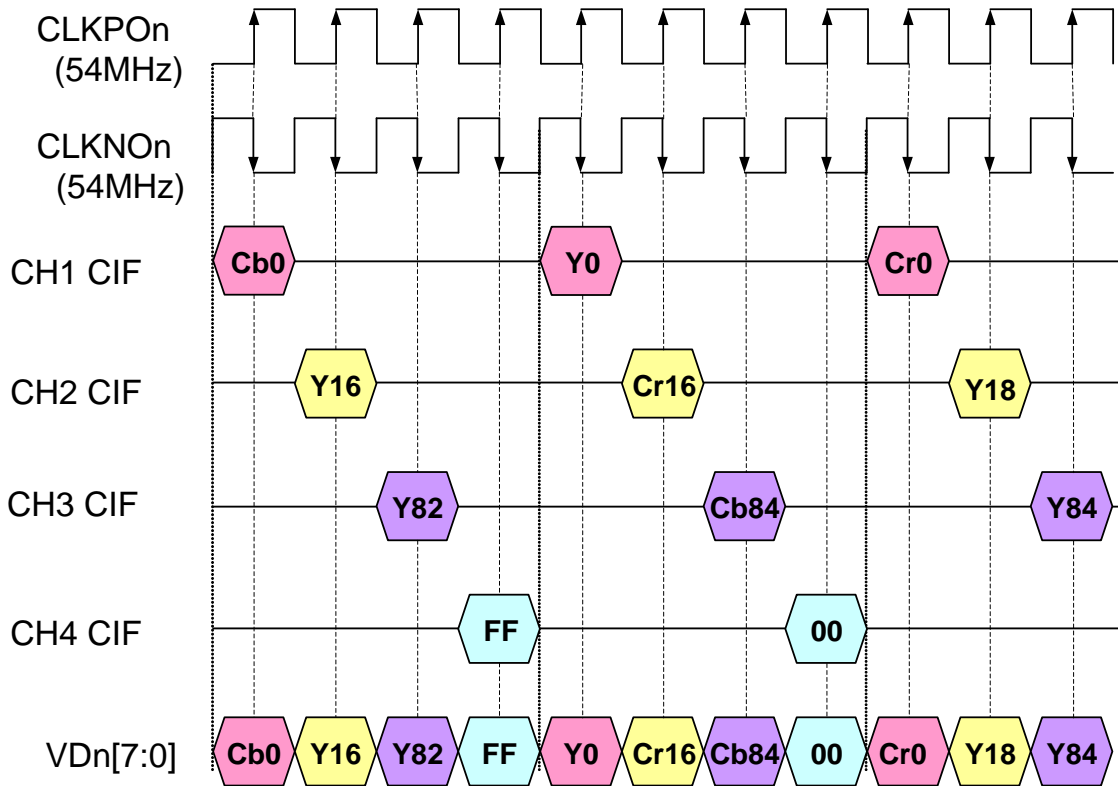


FIGURE 14. PIN OUTPUT TIMING OF 4 CH CIF TIME-MULTIPLEXED FORMAT WITH 54MHZ CLOCK



TABLE 4. THE CHANNEL ID FORMAT FOR 4 CH CIF TIME-MULTIPLEXED FORMAT WITH 54MHZ

Condition			656 FVH Value			SAV/EAV Code Sequence						
Field	Vtime	Htime	F	V	H	First	Second	Third	Fourth			
									Ch1	Ch2	Ch3	Ch4
EVEN	Blank	EAV	1	1	1	0xFF	0x00	0x00	0xF0	0xF1	0xF2	0xF3
EVEN	Blank	SAV	1	1	0	0xFF	0x00	0x00	0xE0	0xE1	0xE2	0xE3
EVEN	Active	EAV	1	0	1	0xFF	0x00	0x00	0xD0	0xD1	0xD2	0xD3
EVEN	Active	SAV	1	0	0	0xFF	0x00	0x00	0xC0	0xC1	0xC2	0xC3
ODD	Blank	EAV	0	1	1	0xFF	0x00	0x00	0xB0	0xB1	0xB2	0xB3
ODD	Blank	SAV	0	1	0	0xFF	0x00	0x00	0xA0	0xA1	0xA2	0xA3
ODD	Active	EAV	0	0	1	0xFF	0x00	0x00	0x90	0x91	0x92	0x93
ODD	Active	SAV	0	0	0	0xFF	0x00	0x00	0x80	0x81	0x82	0x83

(a) ITU-R BT.656 Sync Code with Channel ID

Channel	H Blanking Code with Channel ID		
	Y	Cb	Cr
Ch1	8'h10	8'h80	8'h80
Ch2	8'h11	8'h81	8'h81
Ch3	8'h12	8'h82	8'h82
Ch4	8'h13	8'h83	8'h83

(b) Horizontal Blanking Code with Channel ID

**FOUR CHANNEL D1 TIME-DIVISION-MULTIPLEXED FORMAT WITH 108MHZ**

Four channel of D1 (720x480) at 27MHz video stream that are time-division-multiplexed at 108MHz data rate format is implemented in TW2867 for security surveillance application. In order to reduce pin counts (thus shrink chip size) on both decoder's digital output port and the input port of the back end compression Codec devices, TW2867 implements single 8 bit bus at 4 times the base band pixel clock rate of 27MHz. While quadrupling the data rate on a single bus to meet the new requirement, individually, each channel data arrangement still retains the base band 27MHz ITU-R BT.656 specification. For interface that can accept the new 108MHz clock bus, only one single clock at 108MHz is required. Embedded timing (SAV-EAV) code and Channel ID are inserted into each channel for de-multiplexing and separation of channel data.

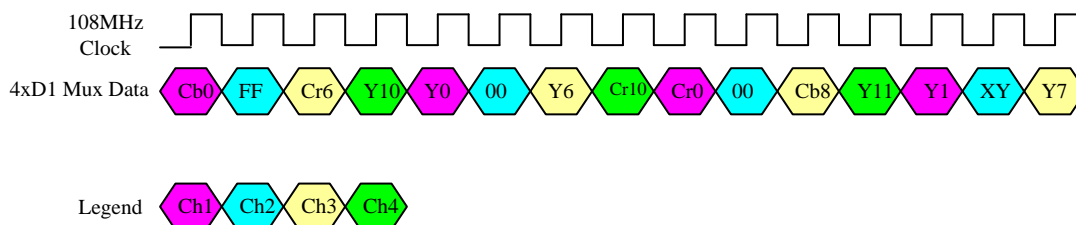


FIGURE 15. TIMING DIAGRAM OF 108MHZ 4 CH D1 TIME-DIVISION-MULTIPLEXED VIDEO DATA

Figure 15 depicts the temporal arrangement of the video data in 108MHz data rate. Each channel is byte level time-division multiplexed (TDM). Main clock is 108MHz clock.

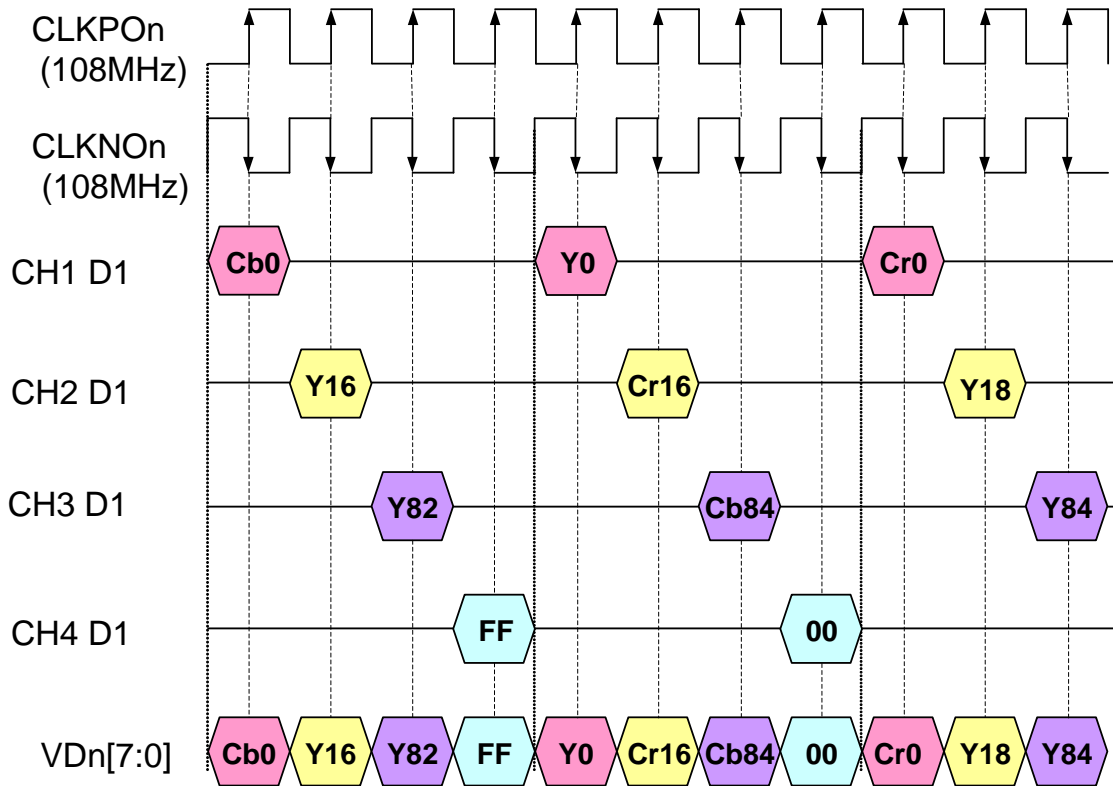


FIGURE 16. PIN OUTPUT TIMING OF 108MHZ 4 CH D1 TIME-DIVISION-MULTIPLEXED VIDEO DATA WITH 108MHZ CLOCK

TABLE 5. SHOWS THE SPECIAL FORMAT OF ITU-R BT. 656 EMBEDDED TIMING CODE AND CHANNEL ID CODE

Condition			656 FVH Value			SAV-EAV Code						
Field	V-time	H-time	F	V	H	First	Second	Third	Fourth			
									Ch1	Ch2	Ch3	Ch4
EVEN	BLANK	EAV	1	1	1	0xFF	0x00	0x00	0xF0	0xF1	0xF2	0xF3
EVEN	BLANK	SAV	1	1	0	0xFF	0x00	0x00	0xE0	0xE1	0xE2	0xE3
EVEN	ACTIVE	EAV	1	0	1	0xFF	0x00	0x00	0xD0	0xD1	0xD2	0xD3
EVEN	ACTIVE	SAV	1	0	0	0xFF	0x00	0x00	0xC0	0xC1	0xC2	0xC3
ODD	BLANK	EAV	0	1	1	0xFF	0x00	0x00	0xB0	0xB1	0xB2	0xB3
ODD	BLANK	SAV	0	1	0	0xFF	0x00	0x00	0xA0	0xA1	0xA2	0xA3
ODD	ACTIVE	EAV	0	0	1	0xFF	0x00	0x00	0x90	0x91	0x92	0x93
ODD	ACTIVE	SAV	0	0	0	0xFF	0x00	0x00	0x80	0x81	0x82	0x83

### OUTPUT ENABLING ACT

After power-up, the TW2867 registers have unknown values. The RSTB pin must be asserted and released to bring all registers to its default values. After reset, the TW2867 data outputs are tri-stated. The OE register should be written after reset to enable outputs desired.

### VIDEO OUTPUT CHANNEL SELECTION

If CHMDn[1:0] in Reg0xCA is set to 0hex, MAINCHn[1:0] in Reg0xCD selects one number of Video Channels to be output on VDn[7:0] pin as Single Channel ITU-R BT.656(D1) Format output. If CHMDn[1:0] in Reg0xCA is set to 1hex, MAINCHn[1:0] in Reg0xCD and SELCHn[1:0] in Reg0xCC select two numbers of Video Channels to be output on VDn[7:0] pin as Two Channel ITU-R BT.656(D1) Time-multiplexed Format output. If CHMDn[1:0] in Reg0xCA is set to 2hex, Four Channel ITU-R BT.656(D1) Time-multiplexed Format is output on VDn[7:0] pin.

### EXTRA SYNC OUTPUT

The additional timing information such as syncs and field flag are also supported through the MPP pins. The video output timing is illustrated in Figure 17 and Figure 18 TW2867 HS/VS/FLD output function is compatible to TW9907 Video decoder HSYNC/VSYNC/FIELD output function. Start of VS timing is controlled by VSHT register (V timing) and OVSDLY register (H timing). End of VS timing is controlled by OVSEND register (V Timing). Start of FLD timing is controlled by OFDLY register (V timing). Start of HS timing is controlled by HSBEGIN register and End of HS timing is controlled by HSEND register.

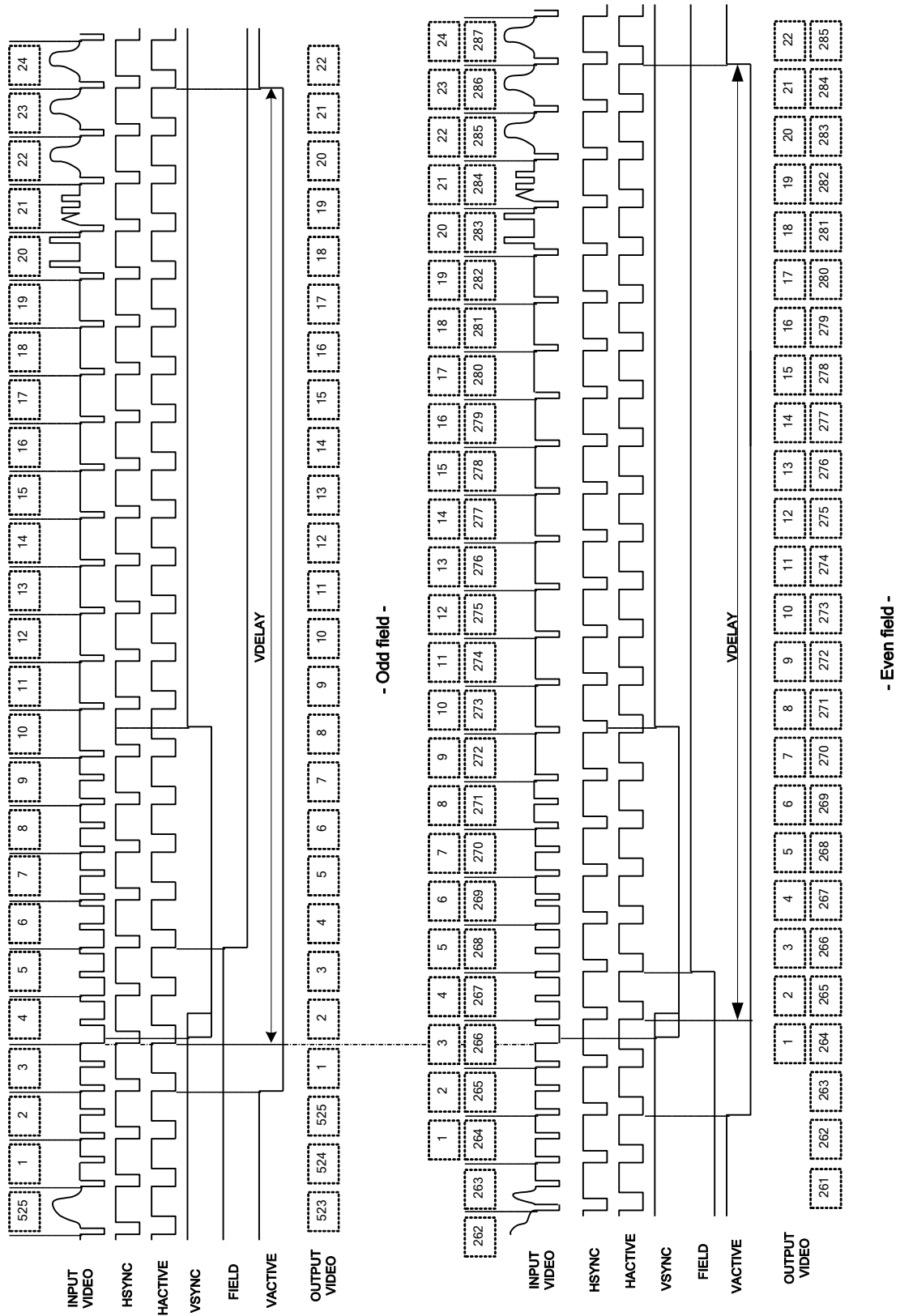


FIGURE 17. VERTICAL TIMING DIAGRAM FOR 60HZ/525 LINE SYSTEM

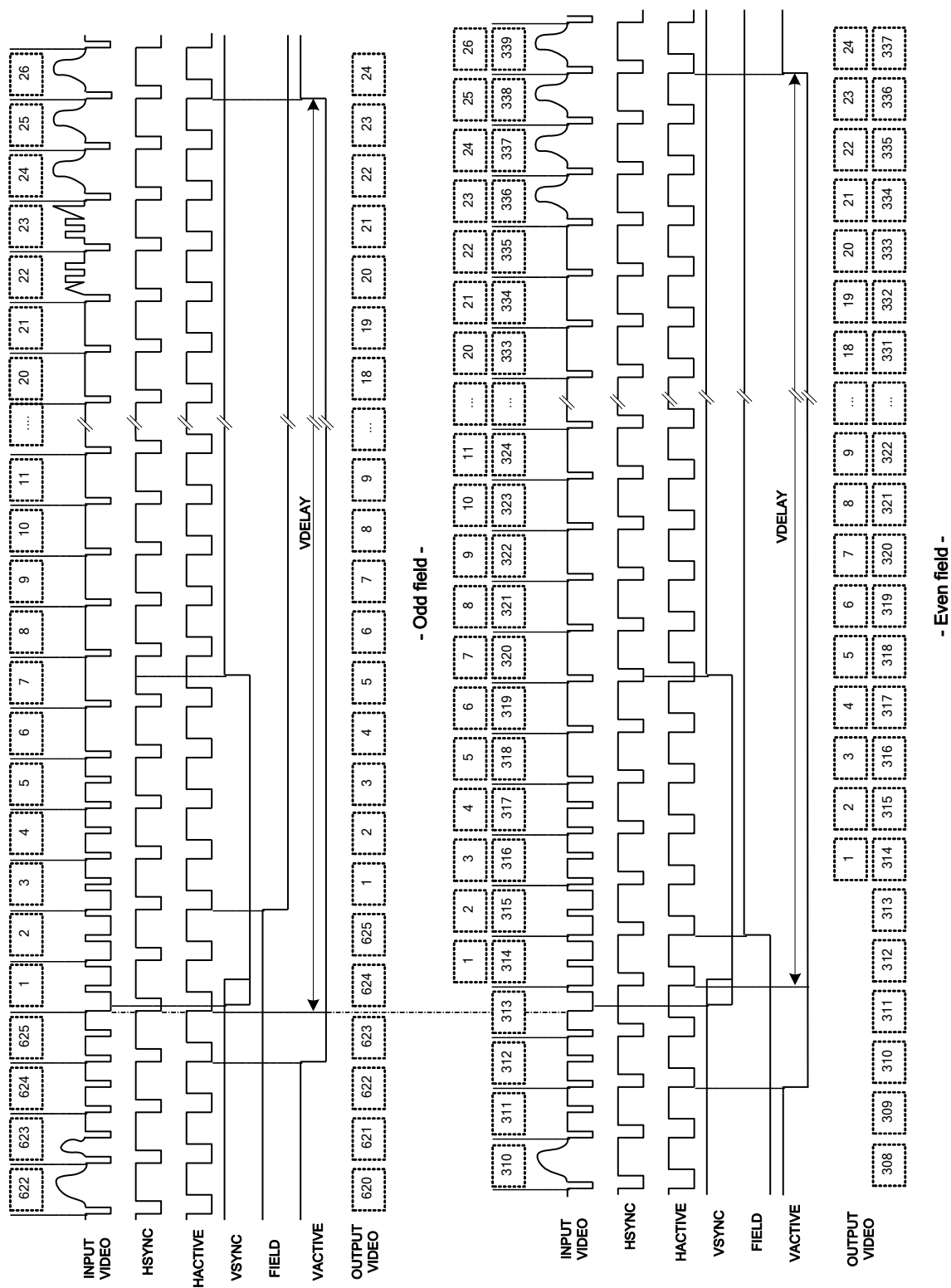


FIGURE 18. VERTICAL TIMING DIAGRAM FOR 50HZ/625 LINE SYSTEM

## Audio Codec

The audio codec in the TW2867 is composed of five audio Analog-to-Digital converters, one Digital-to-Analog converter, audio mixer, digital serial audio interface and audio detector shown as the Figure 19. The TW2867 can accept 5 analog audio signals and 1 digital serial audio data and produce 1 mixing analog audio signal and 2 digital serial audio data.

The level of analog audio input signal AIN1 ~ AIN5 can be adjusted respectively by internal programmable gain amplifiers that are defined via the AIGAIN1, AIGAIN2, AIGAIN3, AIGAIN4 and AIGAIN5 registers and then sampled by each Analog-to-Digital converters. The digital serial audio input data through the ACLKP, ASYNP and ADATP pin are used for playback function. To record audio data, the TW2867 provides the digital serial audio output via the ACLKR, ASYNR and ADATR pin.

The TW2867 can mix all of audio inputs including analog audio signal and digital audio data according to the predefined mixing ratio for each audio via the MIX\_RATIO1 ~ MIX\_RATIO5 and MIX\_RATIO6 registers. This mixing audio output can be provided through the analog and digital interfaces. The embedded audio Digital-to-Analog converter supports the analog mixing audio output whose level can be controlled by programmable gain amplifier via the AOGAIN register. The ADATM pin supports the digital mixing audio output and its digital serial audio timings are provided through the ACLKR and ASYNR pins that are shared with the digital serial audio record timing pins.

The main purpose of AIN5 is to make the standard I2S/DSP digital audio output on ADATM pin for special application. Usually, 4 AIN1/AIN2/AIN3/AIN4 audio data are only used on ADATR pin output.

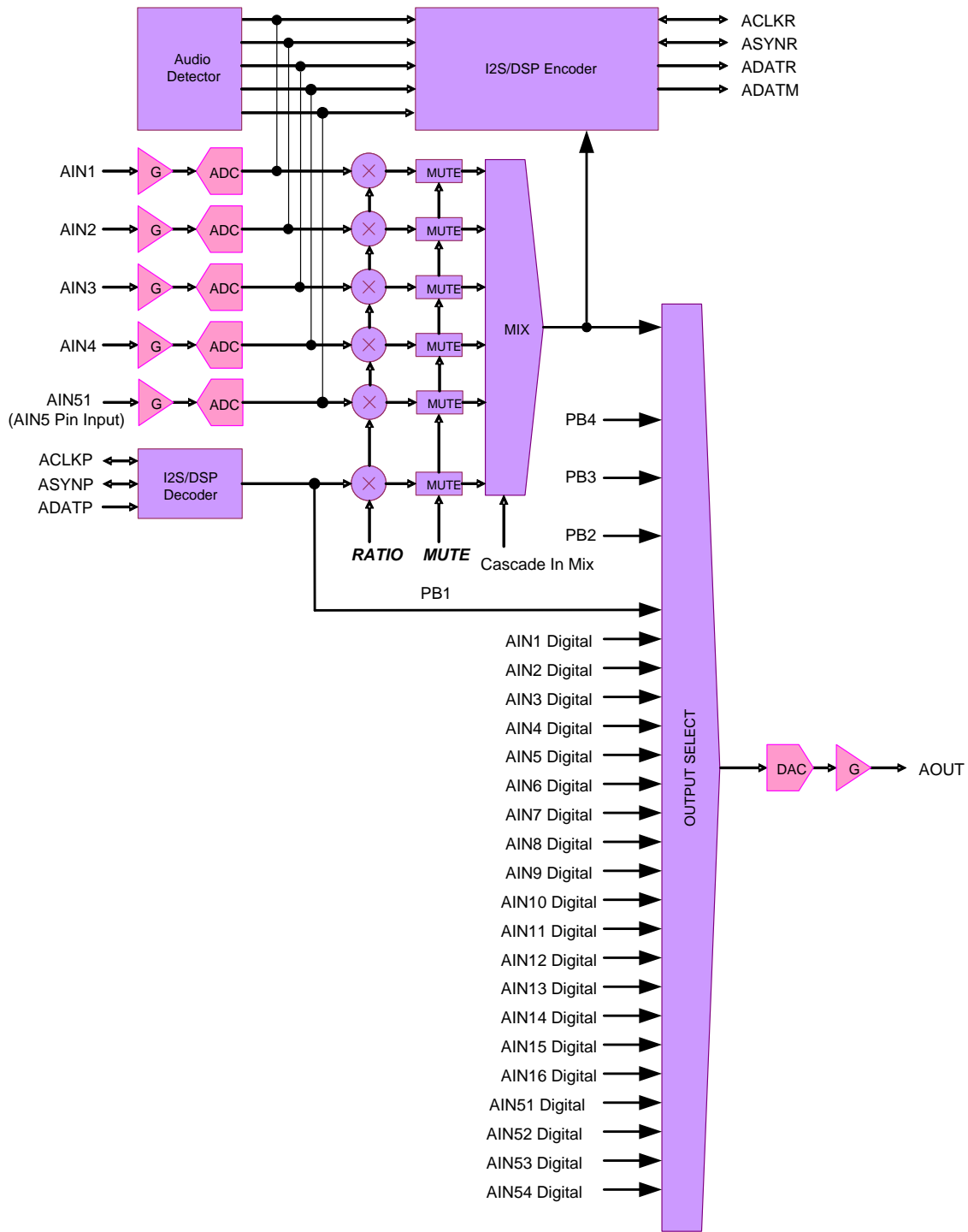


FIGURE 19. BLOCK DIAGRAM OF AUDIO CODEC

## AUDIO CLOCK MASTER/SLAVE MODE

The TW2867 has two types of Audio Clock modes. If ACLKRMAS<sub>TER</sub> register is set to 1, fs audio sample date is processed from audio clock internal ACKG (Audio Clock Generator) generates. In this master mode, ACLK<sub>R</sub>/ASYN<sub>R</sub> pins are output mode. ASYN<sub>ROEN</sub> register for ASYN<sub>R</sub> pin should be set to 0 (output enable mode). If ACLKRMAS<sub>TER</sub> register is set to 0, fs audio sample rate is processed from audio clock on ACLK<sub>R</sub> pin input. 256xfs, 320xfs or 384xfs audio clock should be connected to ACLK<sub>R</sub> pin from external master clock source in this slave mode. ASYN<sub>R</sub> pin can be input or output by external Audio clock master in slave mode. ASYN<sub>R</sub> signal should change per fs audio sample rate in both master and slave mode. AIN5MD and AFS384 register set up Audio fs mode using the following table.

REGISTER		FS MODE
AIN5MD	AFS384	
0	0	256xfs
1	0	320xfs
0	1	384xfs

## AUDIO DETECTION

The TW2867 has an audio detector for individual 5 channels. There are 2 kinds of audio detection method defined by the ADET\_MTH. One is the detection of absolute amplitude and the other is of differential amplitude. For both detection methods, the accumulating period is defined by the ADET\_FILT register and the detecting threshold value is defined by the ADET\_TH1 ~ ADET\_TH5 registers. The status for audio detection is read by the STATE\_AVDET register and it also makes the interrupt request through the IRQ pin with the combination of the status for video loss detection.

## MULTI-CHIP OPERATION

TW2867 can output 16 channel audio data on ACLK<sub>R</sub>/ASYN<sub>R</sub>/ADATR output simultaneously. Therefore, up to 4 chips should be connected on most Multi-Chip application cases. SMD register selects Audio cascade serial interface mode. If SMD register is set to 2, ALINKI pin is audio cascade serial input and ALINKO pin is audio cascade serial output mode.

Each stage chip can accept 5 analog audio signals so that four cascaded chips will be 16-channel audio controller as default AIN5MD=0. The first stage chip provides 16ch digital serial audio data for record. Even though the first stage chip has only 1 digital serial audio data pin ADATR for record, the TW2867 can generate 16 channel data simultaneously using multi-channel method. Also, each stage chip can support 4 channel record outputs that are corresponding with analog audio inputs. This first stage chip can also output 16 channel mixing audio data by the digital serial audio data and analog audio signal. The first stage chip accepts the digital serial audio data for playback. The digital playback data can be converted to analog signal by Digital-to-Analog Converter in the first stage chip.

In Multi-Chip Audio operation mode, one same Oscillator clock source (108MHz or 54MHz) need to be connected to all TW2867 XTI or TW2864 CLKI pins or TW2865 pins. One 27MHz clock source can be connected if needed, too.

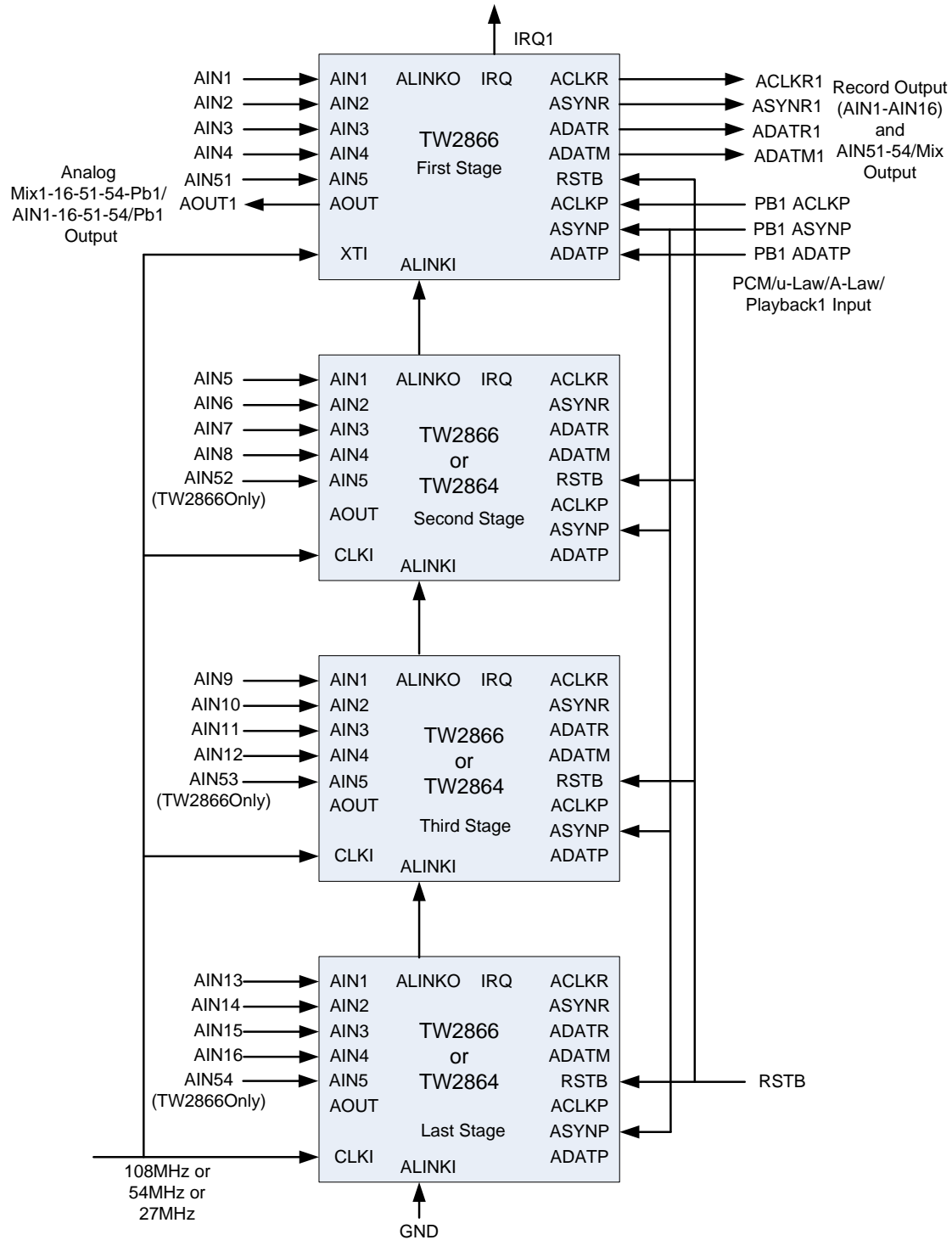
Several Master/Slave mode configurations are available. Figure 20 is the most recommended and demanded system with Clock Master mode (ACLKRMAS<sub>TER</sub>=1). Figure 21 is the most recommended system with Clock Slave Sync Slave mode

(ACLKRMAS<sub>TER</sub>=0, ASYN<sub>ROEN</sub>=1). Another system combinations are also available if application need different type specific system. Fig19-1 and Fig19-2 show most typical system.

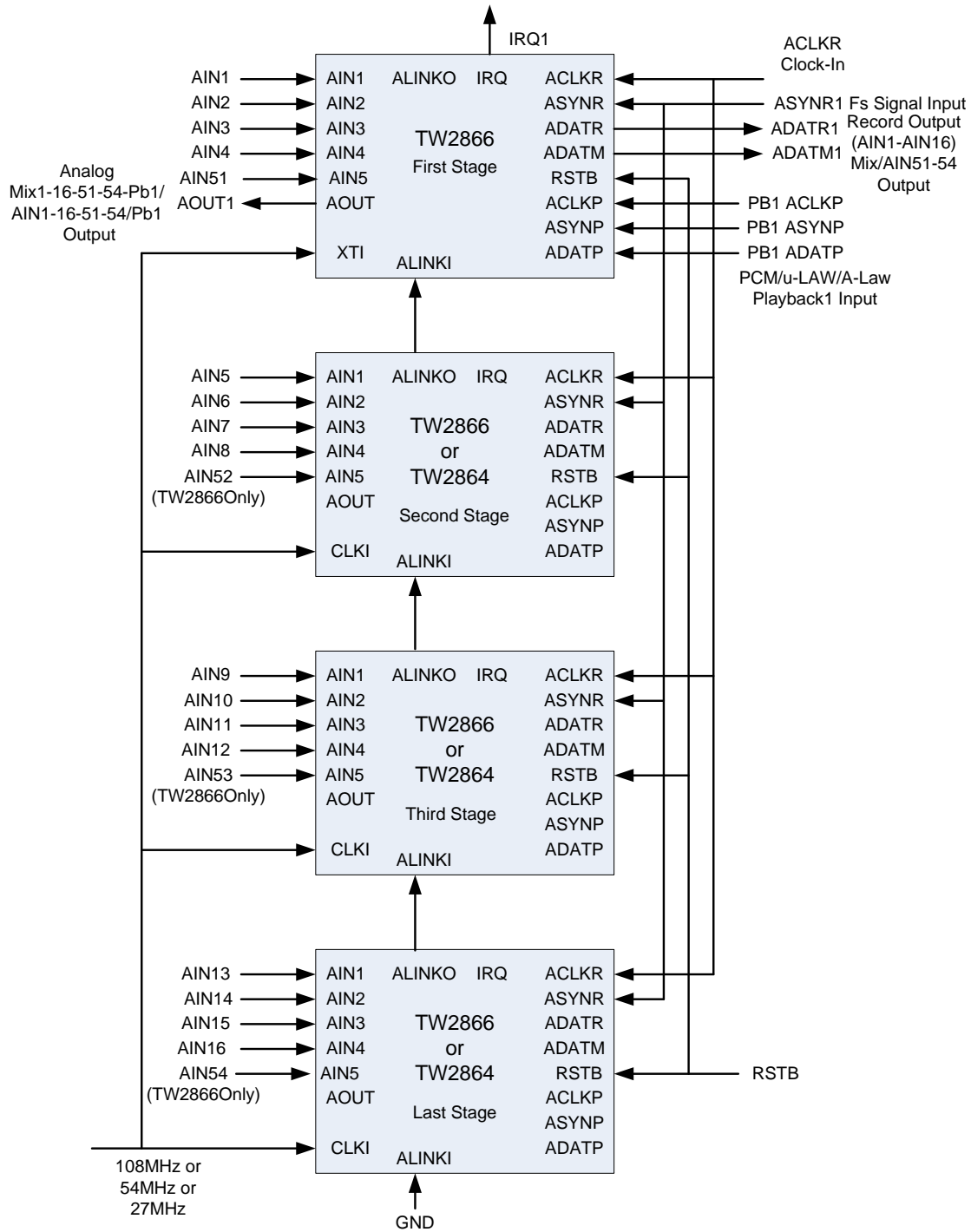
In the following figures, Mix1-16-51-54/Pb1 means Mix output of AIN1-16, AIN51-54 and Playback1. AIN1-16-51-54/Pb1 means one selected Audio output in AIN1-16-51-54/Pb1.



If one TW2867 uses AIN5MD=1, all other cascaded TW2867 chips must set up AIN5MD=1 together. Generally, 4 Audio input mode (AIN5MD=0) are most used in this cascade system.



**FIGURE 20. RECOMMENDED CLOCK MASTER CASCADE MODE SYSTEM**  
 All chips have SMD=2; ACLKRMASER=1; SYNROEN=0; PB\_MASTER=0



**FIGURE 21. RECOMMENDED CLOCK SLAVE SYNC SLAVE CASCADE MODE SYSTEM**

All chips have SMD = 2; ACLKRMASER=0; ASYNROEN=1; PB\_MASTER=0

## SERIAL AUDIO INTERFACE

There are 3 kinds of digital serial audio interfaces in the TW2867, the first is a recording output, the second is a mixing output and the third is a playback input. These 3 digital serial audio interfaces follow a standard I2S or DSP interface as shown in Figure 22.

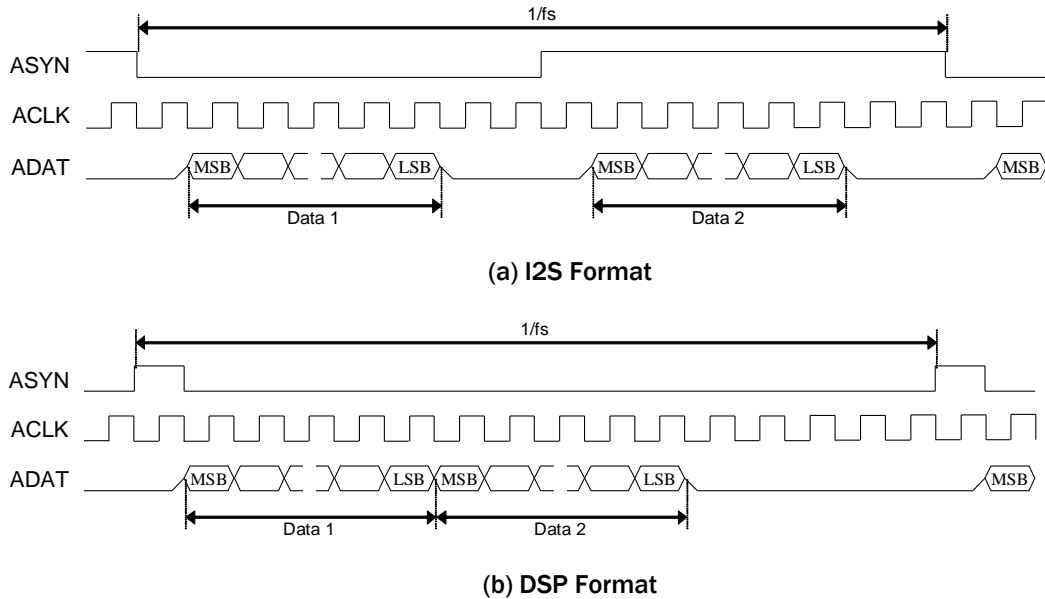


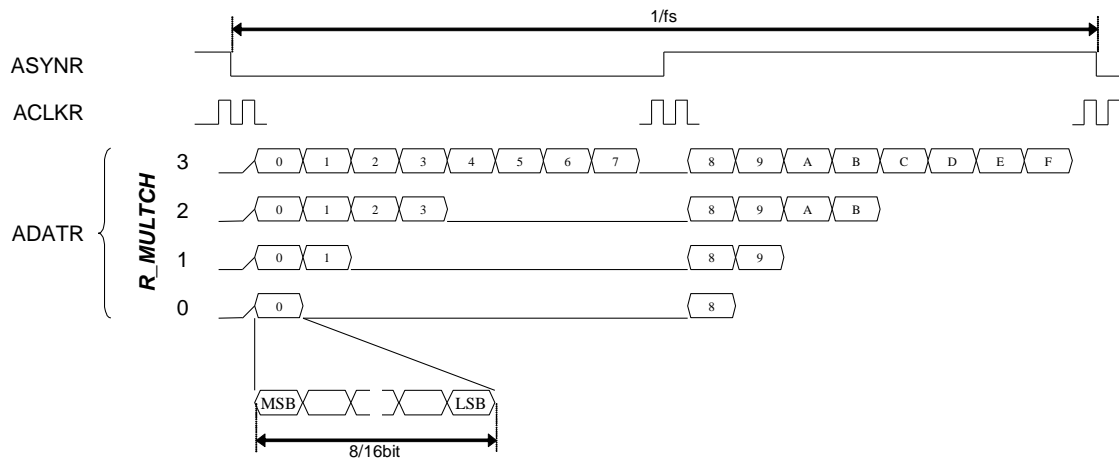
FIGURE 22. TIMING CHART OF SERIAL AUDIO INTERFACE

## PLAYBACK INPUT

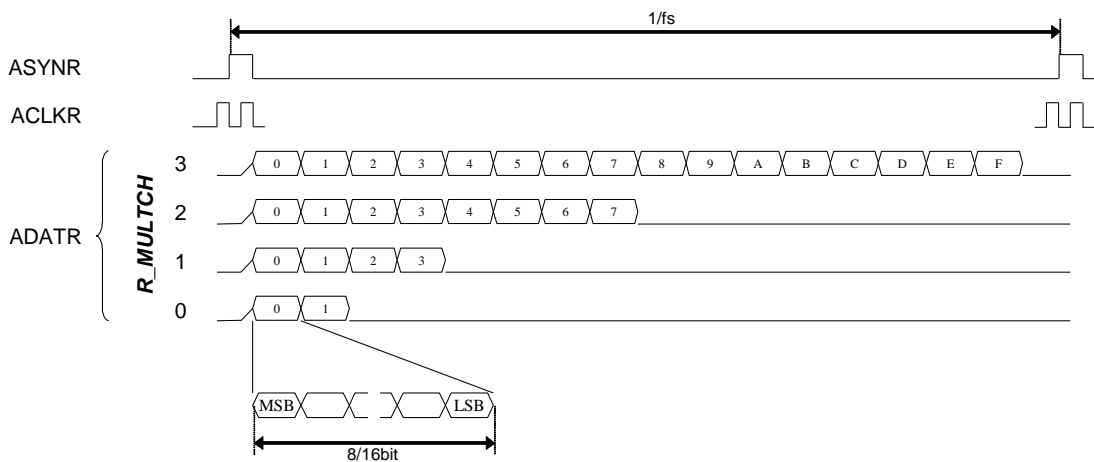
The serial interface using the ACLKP, ASYNP and ADATP pins accepts the digital serial audio data for the playback purpose. The ACLKP and ASYNP pins can be operated as master or slave mode. For master mode, these pins work as output pin and generate the standard audio clock and synchronizing signal. For slave mode, these pins are input mode and accept the standard audio clock and synchronizing signal. The ADATP pin is always input mode regardless of operating mode. One of audio data in left or right channel should be selected for playback audio by the PB\_LRSEL.

**RECORD OUTPUT**

To record audio data, the TW2867 provides the digital serial audio data through the ACLKR, ASYNR and ADATR pins. Sampling frequency comes from 256xfs, 320xfs or 384xfs audio system clock setting. Even though the standard I2S and DSP format can have only 2 audio data on left and right channel, the TW2867 can provide an extended I2S and DSP format which can have 16 channel audio data through ADATR pin. The R\_MULTCH defines the number of audio data to be recorded by the ADATR pin. ASYNR signal is always fs frequency rate. One ASYNR period is always equal to 256xACLKR clock length with AIN5MD=0. Figure 23 shows the digital serial audio data organization for multi-channel audio.



(a) I2S Format



DSP Format

(b)

**FIGURE 23. TIMING CHART OF MULTI-CHANNEL AUDIO RECORD**

Table 6 shows the sequence of audio data to be recorded for each mode of the R\_MULTCH register. The sequences of 0 ~ F do not mean actual audio channel number but represent sequence only. The actual audio channel should be assigned to sequence 0 ~ F by the R\_SEQ\_0 ~ R\_SEQ\_F register. When the ADATM pin is used for record via the R\_ADATM register, the audio sequence of ADATM is also shown in Table 6.

TABLE 6. SEQUENCE OF MULTI-CHANNEL AUDIO RECORD

(a) I2S Format

R_MULTCH	PIN	LEFT CHANNEL								RIGHT CHANNEL							
0	ADATR	0								8							
	ADATM	F								7							
1	ADATR	0	1							8	9						
	ADATM	F	E							7	6						
2	ADATR	0	1	2	3					8	9	A	B				
	ADATM	F	E	D	C					7	6	5	4				
3	ADATR	0	1	2	3	4	5	6	7	8	9	A	B	C	D	E	F
	ADATM	F	E	D	C	B	A	9	8	7	6	5	4	3	2	1	0

(b) DSP Format

R_MULTCH	PIN	LEFT/RIGHT CHANNEL															
0	ADATR	0	1														
	ADATM	F	E														
1	ADATR	0	1	2	3												
	ADATM	F	E	D	C												
2	ADATR	0	1	2	3	4	5	6	7								
	ADATM	F	E	D	C	B	A	9	8								
3	ADATR	0	1	2	3	4	5	6	7	8	9	A	B	C	D	E	F
	ADATM	F	E	D	C	B	A	9	8	7	6	5	4	3	2	1	0

**MIX OUTPUT**

The digital serial audio data on the ADATM pin has 2 different audio data which are mixing audio and playback audio. The mixing digital serial audio data is the same as analog mixing output. The sampling frequency, bit width and number of audio for the ADATM pin are same as the ADATR pin because the ACLKR and ASYNR pins are shared with the ADATR and ADATM pins.

## AUDIO CLOCK SLAVE MODE DATA OUTPUT TIMING

TW2867 always output ASYNR/ADATR/ADATM by ACLKR falling edge triggered timing.

ADATR/ADATM output data are always changing at next ACLKR falling edge triggered timing after ASYNR signal changes. If ASYNR is output, ADATR/ADATM output are always fixed to one ACLKR falling edge timing. But if ASYNR is input, ADATR/ADATM output timing changes by ASYNR input timing.

ASYNR is ACLKR falling edge triggered input/output.

If ASYNR is input and ASYNR input is ACLKR falling edge triggered input as ASYNR input signal is changing after ACLKR falling edge, or if ASYNR is output, TW2867 output ADATR/ADATM by ACLKR falling edge triggered timing, as shown on following figures. ASYNR signal is changing during ACLKR = 0. TW2867 output ADATR/ADATM data after next ACLKR falling edge triggered timing with more than half ACLKR clock delay.

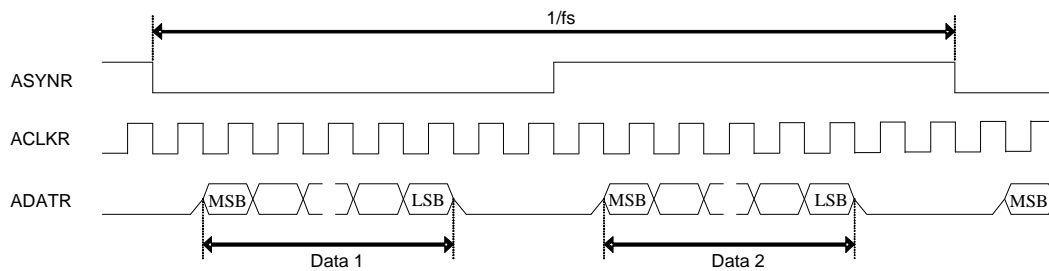


FIGURE 24. ACLKMASTER=0, RM\_SYNC=0

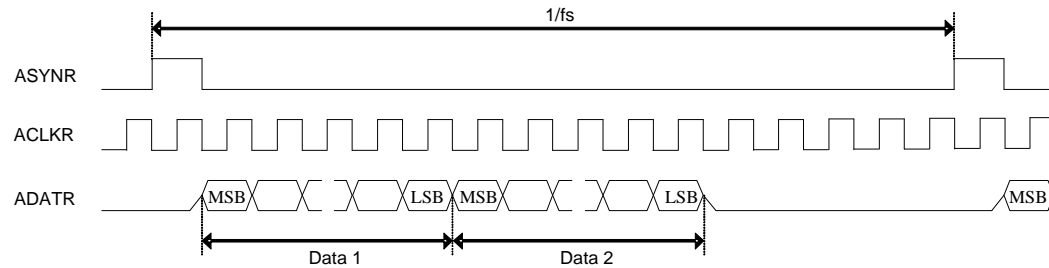
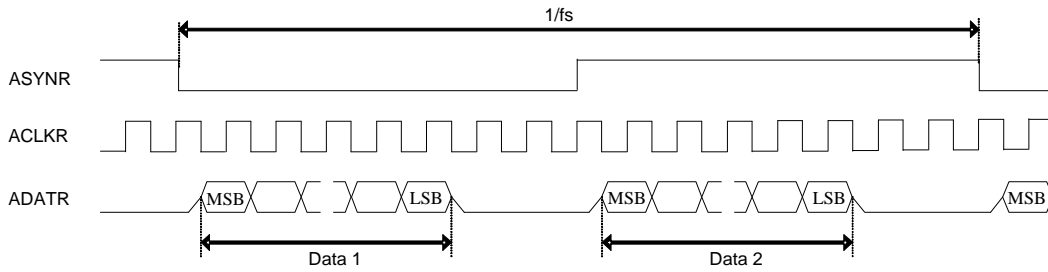


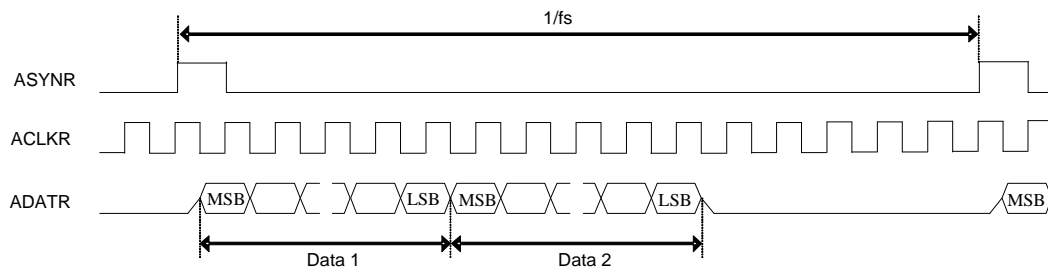
FIGURE 25. ACLKMASTER=0, RM\_SYNC=1

ASYNR is ACLKR rising edge triggered input.

If ASYNR is input and ASYNR input is ACLKR rising edge triggered input as ASYNR input signal is changing after ACLKR rising edge, TW2867 output ADATR/ADATM by ACLKR falling edge triggered timing, as shown in following figures. ASYNR signal is changing during ACLKR = 1. TW2867 output ADATR/ADATM data after next ACLKR falling edge triggered timing with less than half ACLKR clock delay.



**FIGURE 26. ACLKMASTER=0, RM\_SYNC=0, ASYNROEN=1**

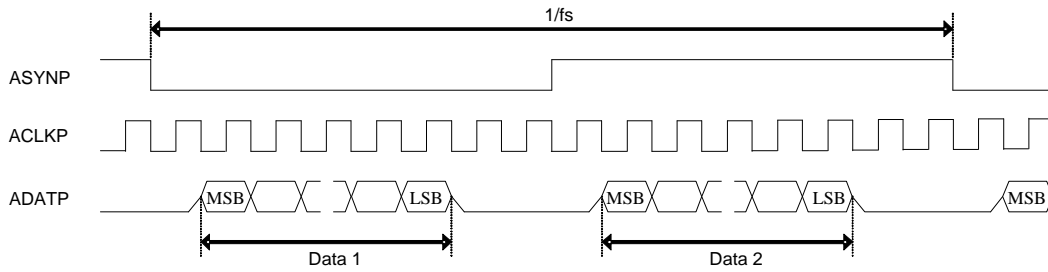


**FIGURE 27. ACLKMASTER=0, RM\_SYNC=1, ASYNROEN=1**

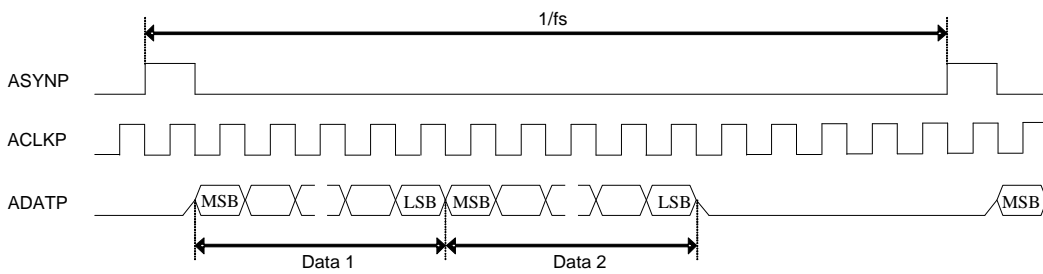
**ACLKP/ASYNP SLAVE MODE DATA INPUT TIMING**

The following 8 data input timings are supported. ADATPDLY register needs to be set up according to the difference of ADATP data input timings. Data1 is only used as default. MSB bit is the first input bit as default PBINSWAP=0.If PBINSWAP=1,LSB bit is the first input bit.

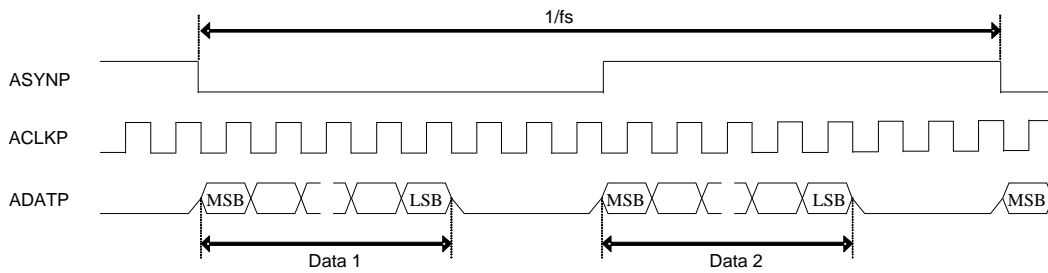
ASYNP is ACLKP falling edge triggered input.



**FIGURE 28. RM\_SYNC=0,PB\_MASTER=0,ADATPDLY=0**



**FIGURE 29. RM\_SYNC=1,PB\_MASTER=0,ADATPDLY=0**



**FIGURE 30. RM\_SYNC=0,PB\_MASTER=0,ADATPDLY=1**



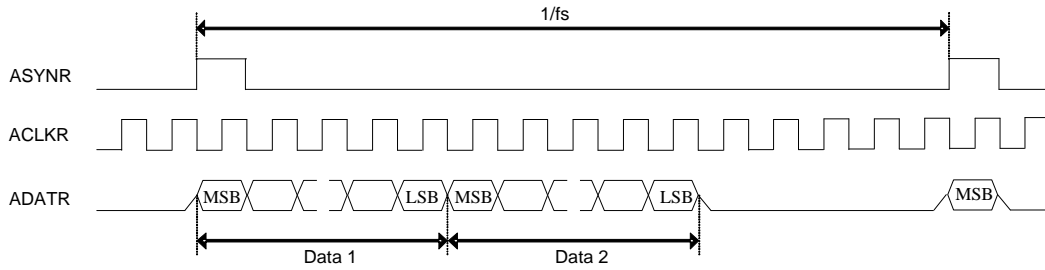


FIGURE 31. RM\_SYNC=1,PB\_MASTER=0,ADATPDLY=1

ASYNP is ACLKP rising edge triggered input.

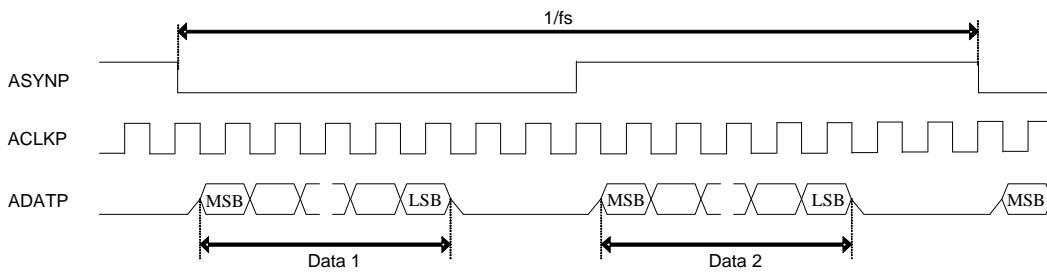


FIGURE 32. RM\_SYNC=0,PB\_MASTER=0,ADATPDLY=1

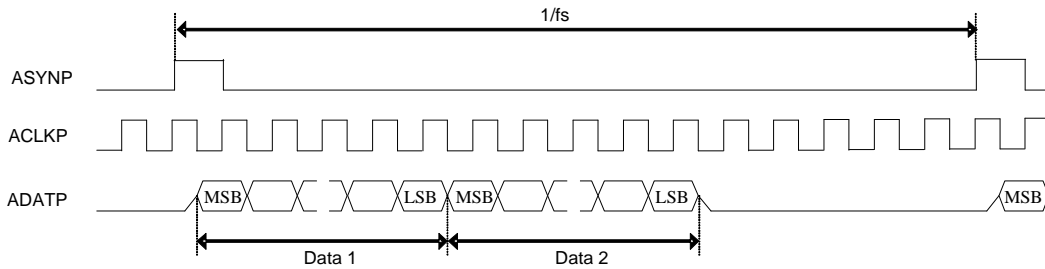


FIGURE 33. RM\_SYNC=1,PB\_MASTER=0,ADATPDLY=1

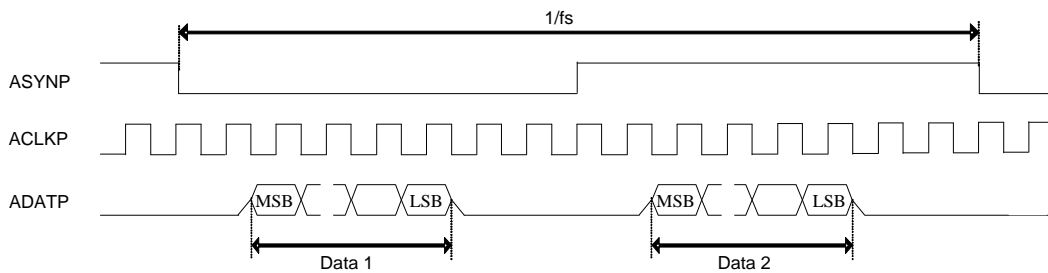


FIGURE 34. RM\_SYNC=0,PB\_MASTER=0,ADATPDLY=0

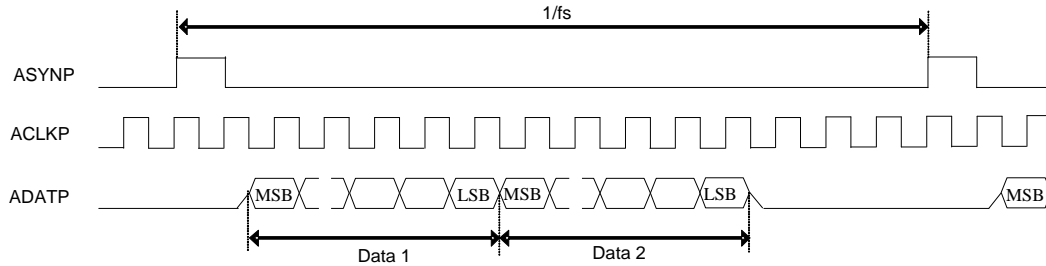


FIGURE 35. RM\_SYNC=1,PB\_MASTER=0,ADATPDLY=0

## AUDIO CLOCK GENERATION

TW2867 has built-in field locked audio clock generator for use in video capture applications. The circuitry will generate the same predefined number of audio sample clocks per field to ensure synchronous playback of video and audio after digital recording or compression. The audio clock is digitally synthesized from the crystal clock input. The master audio clock frequency is programmable through ACKN and ACKI register based following two equations.

$ACKN = \text{round}( F_{AMCLK} / F_{\text{field}} )$ , it gives the Audio master Clock Per Field.

$ACKI = \text{round}( F_{AMCLK} / F_{27\text{MHz}} * 2^{23} )$ , it gives the Audio master Clock Nominal increment.

Following table provides setting example of some common used audio frequency assuming Video Decoder system clock frequency of 27MHz. If ACLKRMASER register bit is set to 1, following AMCLK is used as audio system clock inside TW2867.

If Slave Playback-in lock mode is required, ACKN=00100hex and PBREFEN=1 needs to be set up. The number of AMCLK clock per one ASYNP input cycle is locked (fixed) to 256 in this mode.

Frequency equation is " $AMCLK(\text{Freq}) = 256 \times ASYNP(\text{Freq})$ ".

256xfs mode: AIN5MD=0,AFS384=0.

AMCLK(MHZ)	FIELD(HZ)	ACKN [DEC]	ACKN [HEX]	ACKI [DEC]	ACKI [HEX]
<b>256 x 48 KHz</b>					
12.288	50	245760	3-C0-00	3817749	3A-41-15
12.288	59.94	205005	3-20-CD	3817749	3A-41-15
<b>256 x 44.1KHz</b>					
11.2896	50	225792	3-72-00	3507556	35-85-65
11.2896	59.94	188348	2-DF-BC	3507556	35-85-65
<b>256 x 32 KHz</b>					
8.192	50	163840	2-80-00	2545166	26-D6-0E
8.192	59.94	136670	2-15-DE	2545166	26-D6-0E
<b>256 x 16 KHz</b>					
4.096	50	81920	1-40-00	1272583	13-6B-07
4.096	59.94	68335	1-0A-EF	1272583	13-6B-07
<b>256 x 8 KHz</b>					
2.048	50	40960	A0-00	636291	9-B5-83
2.048	59.94	34168	85-78	636291	9-B5-83

320xfs mode: AIN5MD=1,AFS384=0. 44.1kHz/48kHz are not supported.

AMCLK(MHZ)	FIELD(HZ)	ACKN [DEC]	ACKN [HEX]	ACKI [DEC]	ACKI [HEX]
<b>320 x 32 KHz</b>					
10.24	50	204800	3-20-00	3181457	30-8B-91
10.24	59.94	170838	2-9B-56	3181457	30-8B-91
<b>320 x 16 KHz</b>					
5.12	50	102400	1-90-00	1590729	18-45-C9
5.12	59.94	85419	1-4D-AB	1590729	18-45-C9
<b>320 x 8 KHz</b>					
2.56	50	51200	C8-00	795364	C-22-E4
2.56	59.94	42709	A6-D5	795364	C-22-E4

384xfs mode: AIN5MD=0,AFS384=1. 44.1kHz/48kHz are not supported.

AMCLK(MHz)	FIELD[Hz]	ACKN [dec]	ACKN [hex]	ACKI [dec]	ACKI [hex]
<b>384 x 32 KHz</b>					
12.288	50	245760	3-C0-00	3817749	3A-41-15
12.288	59.94	205005	3-20-CD	381749	3A-41-15
<b>384 x 16 KHz</b>					
6.144	50	122880	1-E0-00	1908874	1D-20-8A
6.144	59.94	102503	1-90-67	1908874	1D-20-8A
<b>384 x 8 KHz</b>					
3.072	50	61440	F0-00	954437	E-90-45
3.072	59.94	51251	C8-33	954437	E-90-45

#### AUDIO CLOCK AUTO SETUP

If ACLKRMAS<sub>TER</sub>=1 audio clock master mode is selected, and AFAUTO register is set to "1", TW2867 set up ACKI register by AFMD register value automatically. ACKI control input in ACKG module block is automatically set up to the required value by the condition of AIN5MD and AFS384 register value.

AFAUTO	AFMD	ACKG module ACKI control input value
1	0	8kHz mode value by each AIN5MD/AFS384 case.
1	1	16kHz mode value by each AIN5MD/AFS384 case.
1	2	32kHz mode value by each AIN5MD/AFS384 case.
1	3	44.1kHz mode value by each AIN5MD/AFS384 case.
1	4	48kHz mode value by each AIN5MD/AFS384 case.
0	X	ACKI register set up ACKI control input value.

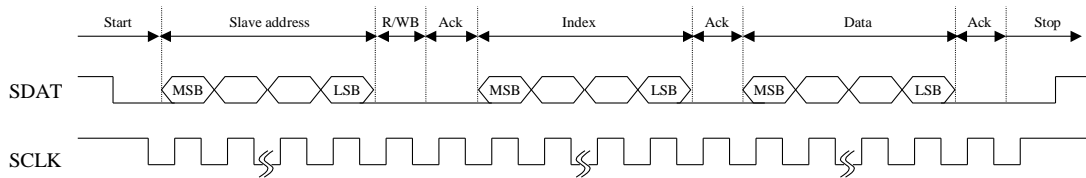
# Host Interface

## Serial Interface

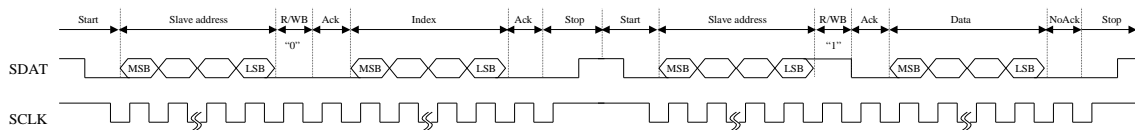
The two wire serial bus interface is used to allow an external micro-controller to write to or read from the data through the TW2867 register. The SCLK is the serial clock and SDAT is the data line. Both lines are pulled high by the resistors connected to VDD. The SADD[1:0] defines two LSB of the slave device address by tying the SADD pins either to VDD or GND.

SLAVE ADDRESS							R/W
0	1	0	1	0	SADD[1]	SADD[0]	1 = Read 0 = Write

The TW2867 supports auto index increments in write/read mode if the data are in sequential order. Data transfer rate on the bus is up to 400 Kbits/s.



(a) Write Mode

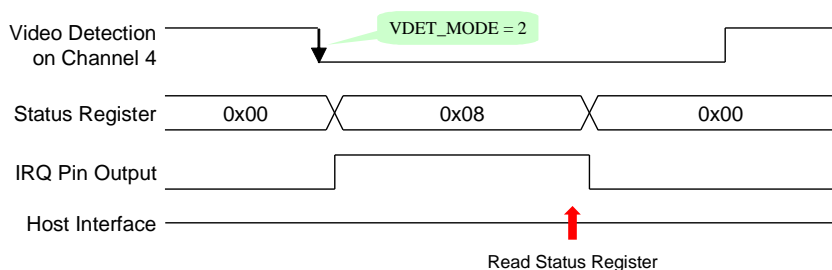


(b) Read Mode

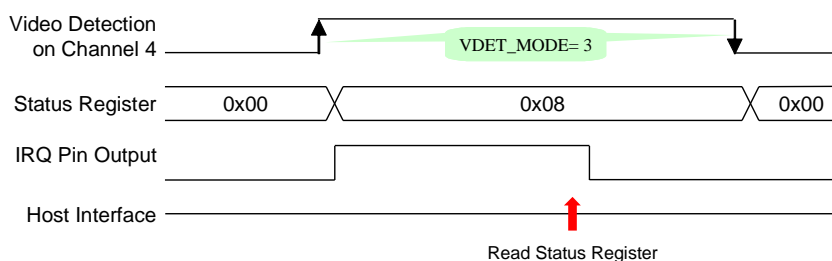
FIGURE 36. TIMING CHART OF SERIAL INTERFACE

## Interrupt Interface

The TW2867 provides the interrupt request function using an IRQ pin so that the host does not need to waste much resource to detect video or audio signal from TW2867. To use interrupt request function, the interrupt request should be enabled by the IRQENA and polarity of the IRQ pin should be selected by the IRQPOL. Also, each channel of video and audio detection should be enabled by the AVDET\_ENA. Then, the interrupt mode should be defined by the VDET\_MODE and ADET\_MODE that control the time to request interrupt and set the status register AVDET\_STATE. The Figure 37 shows operation of interrupt when the VDET\_MODE and/or ADET\_MODE are 2 and 3. The IRQ pin is cleared automatically by reading the AVDET\_STATE. When the VDET\_MODE and/or ADET\_MODE is 1 or 2, the status register AVDET\_STATE will also be cleared automatically by reading AVDET\_STATE. However, when the VDET\_MODE and/or ADET\_MODE are 3, the status register AVDET\_STATE will not be cleared automatically, but has the same value as actual status of video and audio detection flag.



(a) Status Register of Automatic Cleared Mode



(b) Status Register same as Video and Audio Detection Flag Mode

FIGURE 37. TIMING DIAGRAM OF INTERRUPT INTERFACE

## Squared Pixel Mode Operation

If FC27 register bit is set to 0, TW2867 works under Squared Pixel mode operation. XTI pin input on PAL-SQ mode should have either 59MHz(=29.5MHzx2) or 29.5MHz. Also, XTI pin input on NTSC-SQ mode should have either 49.086MHz(=24.543MHzx2) or 24.543MHz. HACTIVE register value should be 0x300(768dec) for PAL-SQ and 0x280(640dec) for NTSC-SQ. If Audio function is used with this Squared Pixel mode, ACKI register equation are as follows.

$$\text{ACKI} = \text{round} ( F_{\text{AMCLK}} / 29.5\text{MHz} * 2^{23} ) \dots \dots \dots \text{for PAL-SQ}$$

$$\text{ACKI} = \text{round} ( F_{\text{AMCLK}} / 24.543\text{MHz} * 2^{23} ) \dots \dots \dots \text{for NTSC-SQ}$$

## **Clock PLL**

The TW2867 has built-in 2x/4x clock PLL to generate 2xXTI clock or 4xXTI clock. If 54MHz is connected to XTI pin, SEL\_X24 register need to be 0(2x,default). If 27MHz is connected to XTI pin, SEL\_X24 register need to be 1(4x). XTIMD register selects which clock source is used in the system. If analog clock PLL is not used, XTIMD register selects XTI input clock frequency mode.

## Control Register

### REGISTER MAP

Address				Mnemonic	BIT7	BIT6	BIT5	BIT4	BIT3	BIT2	BIT1	BIT0
CH1	CH2	CH3	CH4									
0x00	0x10	0x20	0x30	VIDSTAT *	VDLOSS*	HLOCK*	SLOCK*	FLD*	VLOCK*	Reserved*	MONO*	DET50*
0x01	0x11	0x21	0x31	BRIGHT	BRIGHTNESS							
0x02	0x12	0x22	0x32	CONTRAST	CONTRAST							
0x03	0x13	0x23	0x33	SHARPNESS	SCURVE	VSF	CTI		SHARPNESS			
0x04	0x14	0x24	0x34	SAT_U	SAT_U							
0x05	0x15	0x25	0x35	SAT_V	SAT_V							
0x06	0x16	0x26	0x36	HUE	HUE							
0x07	0x17	0x27	0x37	CROP_HI	VDELAY[9:8]		VACTIVE[9:8]		HDELAY[9:8]		HACTIVE[9:8]	
0x08	0x18	0x28	0x38	VDELAY_LO	VDELAY[7:0]							
0x09	0x19	0x29	0x39	VACTIVE_LO	VACTIVE[7:0]							
0x0A	0x1A	0x2A	0x3A	HDELAY_LO	HDELAY[7:0]							
0x0B	0x1B	0x2B	0x3B	HACTIVE_LO	HACTIVE[7:0]							
0x0C	0x1C	0x2C	0x3C	MVSN*	SF*	PF*	FF*	KF*	CSBAD*	MCVSN*	CSTRIPE*	CTYPE*
0x0D	0x1D	0x2D	0x3D	STATUS2*	VCR*	WKAIR*	WKAIR1*	VSTD*	NINTL*	0	0	0
0x0E	0x1E	0x2E	0x3E	SDT	DETSTATUS*	STDNOW*			ATREG	STANDARD		
0x0F	0x1F	0x2F	0x3F	SDTR	ATSTART	PAL60EN	PALCEN	PALMEN	NTSC44EN	SECAMEN	PALBEN	NTSCEN
0xE4	0xE7	0xEA	0xED	VSCALE_LO	VSCALE[7:0]							
0xE5	0xE8	0xEB	0xEE	SCALE_HI	VSCALE[11:8]			HSACLE[11:8]				
0xE6	0xE9	0xEC	0xEF	HSCALE_LO	HSCALE[7:0]							
0xA4	0xA5	0xA6	0xA7	IDCNTL	IDX		NSEN/SSEN/PSEN/WKTH					
0xC4	0xC5	0xC6	0xC7	HREF*	HREF							

Note : \* Read only registers



Address				Mnemonic	BIT7	BIT6	BIT5	BIT4	BIT3	BIT2	BIT1	BIT0	
CH1	CH2	CH3	CH4										
0x41				RESERVED	RESERVED								
0x42				RESERVED	RESERVED								
0x43				RESERVED	RESERVED								
0x44				RESERVED	RESERVED								
0x45				RESERVED	RESERVED								
0x46				RESERVED	RESERVED								
0x47				RESERVED	RESERVED								
0x48				RESERVED	RESERVED								
0x49				RESERVED	RESERVED								
0x4A				RESERVED	RESERVED								
0x4B				RESERVED	RESERVED								
0x4C				RESERVED	RESERVED								
0x4D				RESERVED	RESERVED								
0x50				ADACCT1	ADACLK_INV	DAC_IB_DAC			0	DAC_IB_ADC			
0x51				DAC_LPFBIAS	DAC_LPFBIAS								
0x52				ADACLPF	0	LPF_SEL			BIAS_SEL	DAC_IB_OTA			
0x53				ANADACTEST	0	TAADCO			TVSENSE	ANADACTEST			
0x54				ASAVE	0	0	DOUT_RST	DIV_RST	ACALEN	ASAVE			
0x58				VSENSE*	VSENSE4B*	VSENSE3B*	VSENSE2B*	VSENSE1B*	VSENSE4A*	VSENSE3A*	VSENSE2A*	VSENSE1A*	
0x59				PDBV	PDBV4B	PDBV3B	PDBV2B	PDBV1B	PDBV4A	PDBV3A	PDBV2A	PDBV1A	
0x5A				VSAVE	AVDSMD	VREF50M_AVDS	BIAS_AVDS		PD_BIAS	VSAVE			
0x5B				DS	VD4_DS	VD3_DS	VD2_DS	VD1_DS	CK4_DS	CK3_DS	CK2_DS	CK1_DS	
0x5C				BGCTL	0	0	BGCTL	VSWEN	VSWNUM				
0x5D				CH2MISC2	NKILL_2	PKILL_2	SKILL_2	CBAL_2	FCS_2	LCS_2	CCS_2	BST_2	

Address				Mnemonic	BIT7	BIT6	BIT5	BIT4	BIT3	BIT2	BIT1	BIT0
CH1	CH2	CH3	CH4									
0x5E				CH3MISC2	NKILL_3	PKILL_3	SKILL_3	CBAL_3	FCS_3	LCS_3	CCS_3	BST_3
0x5F				CH4MISC2	NKILL_4	PKILL_4	SKILL_4	CBAL_4	FCS_4	LCS_4	ICCS_4	BST_4

Address				Mnemonic	BIT7	BIT6	BIT5	BIT4	BIT3	BIT2	BIT1	BIT0	
CH1	CH2	CH3	CH4										
0x60				PLL1	0	PLL_PD	PLLIREF	SEL_X24	LP_X4		CP_X4		
0x61				PLL2	0	0	0	DECOSC	CKOUTSEL		XTIMD		
0x65				VDOEB	P0	0	0	D4ORD	VD4OEB	VD3OEB	VD2OEB	VD1OEB	
0x66				CK13	VD4_27C	VD3_27C	VD2_27C	VD1_27C	CK4_13	CK3_13	CK2_13	CK1_13	
0x67				CK2DEL	CLKNO2_DEL				CLKPO2_DEL				
0x68				CK3DEL	CLKNO3_DEL				CLKPO3_DEL				
0x69				CK4DEL	CLKNO4_DEL				CLKPO4_DEL				
0x6A				CLK2MD	0	0	CLKNO2OEB	CLKPO2OEB	CLKNO2MD		CLKPO2MD		
0x6B				CLK3MD	0	0	CLKNO3OEB	CLKPO3OEB	CLKNO3MD		CLKPO3MD		
0x6C				CLK4MD	0	0	CLKNO4OEB	CLKPO4OEB	CLKNO4MD		CLKPO4MD		
0x6D				CLKPNPOL	CLKNO4POL	CLKPO4POL	CLKNO3POL	CLKPO3POL	CLKNO2POL	CLKPO2POL	0	0	
0x6E				A12NUM	0	A2NUM			0	A1NUM			
0x6F				A34NUM	0	A4NUM			0	A3NUM			
0x70				ACLKPOL	0	S2L_8BIT	ACLKRPOL	ACLKPPOL	AFAUTO	AFMD			
0x71				AINCTL	I2S8MODE	MASCKMD	PBINSWAP	ASYNRDLY	ASYNPDLY	ADATPDLY	INLAWMD		
0x72				MRATIOMD	MRATIOMD	0	0	0	0	0	0	0	
0x73				A5NUM	AIMANU	A5NUM			0	0	0	A5DET_ENA	
0x74				A5DETST	0	0	0	0	0	0	0	A5DET_STATE*	
0x75				AADC5OFS_H	0	0	0	0	0	0	AADC5OFS[9:8]		
0x76				AADC5OFS_L	AADC5OFS[7:0]								
0x77				AUD5ADC_H	0	0	0	0	0	0	AUD5ADC[9:8]		
0x78				AUD5ADC_L	AUD5ADC[7:0]								
0x79				ADJAADC5_H	0	0	0	0	0	0	ADJAADC5[9:8]		
0x7A				ADJAADC5_L	ADJAADC5[7:0]								

Address				Mnemonic	BIT7	BIT6	BIT5	BIT4	BIT3	BIT2	BIT1	BIT0
CH1	CH2	CH3	CH4									
0x7B				I2SO_RSEL	0	0	0	I2SO_RSEL				
0x7C				I2SO_LSEL	0	0	0	I2SO_LSEL				
0x7D				RECSEL5	RECSEL54		RECSEL53		RECSEL52		RECSEL51	
0x7E				ADATMI2S	A5OUTOFF	ADATMI2SOEN	MUTEA5	ADET_TH5[4:0]				
0x7F				AIGAIN5	AIGAIN5			MIX_RATIO5				
0x80				SRST	0	0	AUDIORST	VOUTrST	VDEC4RST	VDEC3RST	VDEC2RST	VDEC1RST
0x81				ACNTL	0	IREF	VREF	0	CLKPDN	0	YFLEN	YSV
0x82				ACNTL2	CTEST	YCLEN	0	AFLTEN	GTEST	VLPF	CKLY	CKLC
0x83				CNTRL1	PBW	DEM	PALSW	SET7	COMB	HCOMP	YCOMB	PDLY
0x84				CKHY	GMEN	CKHY		HSDLY				
0x85				SHCOR	SHCOR			VIN4	VIN3	VIN2	VIN1	
0x86				CORING	CTCOR		CCOR		VCOR		CIF	
0x87				CLMPG	CLPEND			CLPST				
0x88				IAGC	NMGAIN			WPGAIN				0
0x89				AIN5MD	0	0	ACLKR128	ACLKR64	AFS384	AIN5MD	0	1
0x8A				PEAKWT	PEAKWT							
0x8B				CLMPL	CLMPLD	CLMPL						
0x8C				SYNCT	SYNCTD	SYNCT						
0x8D				MISSCNT	MISSCNT			HSWIN				
0x8E				PCLAMP	PCLAMP							
0x8F				VCNTL1	VLCKI		VLCKO		VMODE	DETV	AFLD	VINT
0x90				VCNTL2	BSHT			VSHT				
0x91				CKILL	CKILMAX		CKILMIN					

Address				Mnemonic	BIT7	BIT6	BIT5	BIT4	BIT3	BIT2	BIT1	BIT0
CH1	CH2	CH3	CH4									
0x92				COMB	COMBMD	HTL			VTL			
0x93				LDLY	CKLM	YDLY			HPF_RES			
0x94				MISC1	HPLC	ENCNT	PALC	SDET	TBCEN	BYPASS	SYOUT	0
0x95				LOOP	HPM		ACCT		SPM		CBW	
0x96				MISC2	NKILL	PKILL	SKILL	CBAL	FCS	LCS	CCS	BST
0x97				CLMD	FRM		YNR		CLMD		PSP	
0x98				HSLOWCTL	0	HSBEGIN[2:0]			0	HSEND[2:0]		
0x99				HSBEGIN	HSBEGIN[10:3]							

Address				Mnemonic	BIT7	BIT6	BIT5	BIT4	BIT3	BIT2	BIT1	BIT0
CH1	CH2	CH3	CH4									
0x9A				HSEND	HSEND[10:3]							
0x9B				OVSDLY	OVSDLY							
0x9C				OVSEND	HASYNC	OFDLY			VSMODE	OVSEND		
0x9D				HBLN	HBLN							
0x9E				NOVID	0	FC27	CHID_MD		NOVID_656	EAVSWAP	VIPCFG	NTSC656
0x9F				CLK1MD	CLKNO1_DEL				CLKPO1_DEL			
0xA8				HFLT21	HFLT2				HFLT1			
0xA9				HFLT43	HFLT4				HFLT3			
0xAA				AGCEN	AGCEN4	AGCEN3	AGCEN2	AGCEN1	AGCGAIN4[8]	AGCGAIN3[8]	AGCGAIN2[8]	AGCGAIN1[8]
0xAB				AGCGAIN1	AGCGAIN1[7:0]							
0xAC				AGCGAIN2	AGCGAIN2[7:0]							
0xAD				AGCGAIN3	AGCGAIN3[7:0]							
0xAE				AGCGAIN4	AGCGAIN4[7:0]							
0xAF				VSHP21	0	VSHP2			0	VSHP1		
0xB0				VSHP43	0	VSHP4			0	VSHP3		
0xB1				NOVIDMODE	CH8IDEN	0	NOVIDMODE		0	0	0	0
0xB2				VDLOSSOE	0	0	0	0	0	0	0	VDLOSSOE
0xB3				AADC0FS_H	AADC4OFS[9:8]		AADC3OFS[9:8]		AADC2OFS[9:8]		AADC1OFS[9:8]	
0xB4				AADC1OFS_L	AADC1OFS[7:0]							
0xB5				AADC2OFS_L	AADC2OFS[7:0]							
0xB6				AADC3OFS_L	AADC3OFS[7:0]							
0xB7				AADC4OFS_L	AADC4OFS[7:0]							
0xB8				AUDADC_H*	AUD4ADC[9:8]		AUD3ADC[9:8]		AUD2ADC[9:8]		AUD1ADC[9:8]	

Address				Mnemonic	BIT7	BIT6	BIT5	BIT4	BIT3	BIT2	BIT1	BIT0
CH1	CH2	CH3	CH4									
0xB9				AUD1ADC_L*	AUD1ADC[7:0]							
0xBA				AUD2ADC_L*	AUD2ADC[7:0]							
0xBB				AUD3ADC_L*	AUD3ADC[7:0]							
0xBC				AUD4ADC_L*	AUD4ADC[7:0]							
0xBD				ADJAADC_H*	ADJAADC4[9:8]	ADJAADC3[9:8]		ADJAADC2[9:8]		ADJAADC1[9:8]		
0xBE				ADJAADC1_L*	ADJAADC1[7:0]							
0xBF				ADJAADC2_L*	ADJAADC2[7:0]							
0xC0				ADJAADC3_L*	ADJAADC3[7:0]							
0xC1				ADJAADC4_L*	ADJAADC4[7:0]							

Address				Mnemonic	BIT7	BIT6	BIT5	BIT4	BIT3	BIT2	BIT1	BIT0
CH1	CH2	CH3	CH4									
0xC8				CLK_DEL1	GPP_VAL2	MPP_MODE2			GPP_VAL1	MPP_MODE1		
0xC9				CLK_DEL2	GPP_VAL4	MPP_MODE4			GPP_VAL3	MPP_MODE3		
0xCA				CHMD	CHMD4		CHMD3		CHMD2		CHMD1	
0xCB				CIF54M	POLMPP4	POLMPP3	POLMPP2	POLMPP1	CIF54M4	CIF54M3	CIF54M2	CIF54M1
0xCC				SELCH	SELCH4		SELCH3		SELCH2		SELCH1	
0xCD				MAINCH	MAINCH4		MAINCH3		MAINCH2		MAINCH1	
0xCE				ANAPWDN	AAUTOMUTE	HPF_RES	0	A_ADC_PWDN	V4_ADC_PWDN	V3_ADC_PWDN	V2_ADC_PWDN	V1_ADC_PWDN
0xCF				SMD	SMD		VRSTSEL		0	0	0	0
0xD0				AIGAIN21	AIGAIN2			AIGAIN1				
0xD1				AIGAIN43	AIGAIN4			AIGAIN3				
0xD2				R_MULTCH	M_RLSWAP	RM_SYNC	RM_PBSEL		R_ADATM		R_MULTCH	
0xD3				R_SEQ10	R_SEQ_1			R_SEQ_0				
0xD4				R_SEQ32	R_SEQ_3			R_SEQ_2				
0xD5				R_SEQ54	R_SEQ_5			R_SEQ_4				
0xD6				R_SEQ76	R_SEQ_7			R_SEQ_6				
0xD7				R_SEQ98	R_SEQ_9			R_SEQ_8				
0xD8				R_SEQBA	R_SEQ_B			R_SEQ_A				
0xD9				R_SEQDC	R_SEQ_D			R_SEQ_C				
0xDA				R_SEQFE	R_SEQ_F			R_SEQ_E				



Address				Mnemonic	BIT7	BIT6	BIT5	BIT4	BIT3	BIT2	BIT1	BIT0
CH1	CH2	CH3	CH4									
0xDB				AMASTER	ADACEN	AADCEN	PB_MASTER	PB_LRSEL	PB_SYNC	RM_8BIT	ASYNROEN	ACLKRMMASTER
0xDC				MIX_MUTE	LAWMD		MIX_DERATIO	MIX_MUTE				
0xDD				MIX_RATIO21	MIX_RATIO2				MIX_RATIO1			
0xDE				MIX_RATIO43	MIX_RATIO4				MIX_RATIO3			
0xDF				MIX_RATIO_P	1	0	0	0	MIX_RATIO_P			
0xE0				MIX_OUTSEL	VADCCCKPOL	AADCCCKPOL	ADACCCCKPOL	MIX_OUTSEL				
0xE1				ADET	AAMPMD	ADET_FILT			ADET_TH4[4]	ADET_TH3[4]	ADET_TH2[4]	ADET_TH1[4]
0xE2				ADET_TH21	ADET_TH2[3:0]				ADET_TH1[3:0]			
0xE3				ADET_TH43	ADET_TH4[3:0]				ADET_TH3[3:0]			
0xF0				ACKI_L	ACKI[7:0]							
0xF1				ACKI_M	ACKI[15:8]							
0xF2				ACKI_H	0	0	ACKI[21:16]					
0xF3				ACKN_L	ACKN[7:0]							
0xF4				ACKN_M	ACKN[15:8]							
0xF5				ACKN_H	0	0	0	0	0	0	ACKN[17:16]	
0xF6				SDIV	0	0	SDIV					
0xF7				LRDIV	0	0	LRDIV					
0xF8				ACCNTL	APZ	APG			0	ACPL	SRPH	LRPH
0xF9				VMISC	LIM16	PBREFEN	YCBCR422	HA656MD	VBI_FRAM	CNTL656	VSCL_SYNC	HA_EN
0xFA				CLKOCTL	VSCL_ENA	OE	CLKNO1_OEB	CLKPO1_OEB	CLKNO1_MD		CLKPO1_MD	
0xFB				AVDET_MODE	CLKNO1_POL	CLKPO1_POL	IRQENA	IRQPOL	AVDET_MODE		VDET_MODE	
0xFC				AVDET_ENA	AVDET_ENA							
0xFD				AVDET_STATE*	AVDET_STATE							

Address				Mnemonic	BIT7	BIT6	BIT5	BIT4	BIT3	BIT2	BIT1	BIT0
CH1	CH2	CH3	CH4									
0xFE				TEST	DEV_ID[6:5]*		0	0	0	TEST		
0xFF				DEV_ID*	DEV_ID[4:0]*					REV_ID		

Note : \* Read only registers

## Register Descriptions

### 0X00(CH1)/0X10(CH2)/0X20(CH3)/0X30(CH4) – VIDEO STATUS REGISTER

Bit	Function	R/W	Description	Reset
7	VDLOSS	R	1 = Video not present. (sync is not detected in number of consecutive line periods specified by MISSCNT register) 0 = Video detected.	0
6	HLOCK	R	1 = Horizontal sync PLL is locked to the incoming video source. 0 = Horizontal sync PLL is not locked.	0
5	SLOCK	R	1 = Sub-carrier PLL is locked to the incoming video source. 0 = Sub-carrier PLL is not locked.	0
4	FIELD	R	0 = Odd field is being decoded. 1 = Even field is being decoded.	0
3	VLOCK	R	1 = Vertical logic is locked to the incoming video source. 0 = Vertical logic is not locked.	0
2	Reserved	R	Reserved	0
1	MONO	R	1 = No color burst signal detected. 0 = Color burst signal detected.	0
0	DET50	R	0 = 60Hz source detected 1 = 50Hz source detected The actual vertical scanning frequency depends on the current standard invoked.	0

### 0X01(CH1)/0X11(CH2)/0X21(CH3)/0X31(CH4) – BRIGHTNESS CONTROL REGISTER

Bit	Function	R/W	Description	Reset
7-0	BRIGHT	R/W	These bits control the brightness. They have value of -128 to 127 in 2's complement form. Positive value increases brightness. A value 0 has no effect on the data.	00

### 0X02(CH1)/0X12(CH2)/0X22(CH3)/0X32(CH4) – CONTRAST CONTROL REGISTER

Bit	Function	R/W	Description	Reset
7-0	CNTRST	R/W	These bits control the luminance contrast gain. A value of 100 (64h) has a gain of 1. The range of adjustment is from 0% to 255% at 1% per step.	64h

**0X03(CH1)/0X13(CH2)/0X23(CH3)/0X33(CH4) – SHARPNESS CONTROL REGISTER**

Bit	Function	R/W	Description	Reset
7	SCURVE	R/W	This bit controls the center frequency of the peaking filter. The corresponding gain adjustment is HFLT. 0 = low      1 = center	0
6	VSF	R/W	This bit is for internal used.	0
5-4	CTI	R/W	CTI level selection. 0 = None. 3 = highest.	1
3-0	SHARP	R/W	These bits control the amount of sharpness enhancement on the luminance signals. There are 16 levels of control with '0' having no effect on the output image. 1 through 15 provides sharpness enhancement with 'F' being the strongest.	1

**0X04(CH1)/0X14(CH2)/0X24(CH3)/0X34(CH4) – CHROMA (U) GAIN REGISTER**

Bit	Function	R/W	Description	Reset
7-0	SAT_U	R/W	These bits control the digital gain adjustment to the U (or Cb) component of the digital video signal. The color saturation can be adjusted by adjusting the U and V color gain components by the same amount in the normal situation. The U and V can also be adjusted independently to provide greater flexibility. The range of adjustment is 0 to 200%.	80

**0X05(CH1)/0X15(CH2)/0X25(CH3)/0X35(CH4) – CHROMA (V) GAIN REGISTER**

Bit	Function	R/W	Description	Reset
7-0	SAT_V	R/W	These bits control the digital gain adjustment to the V (or Cr) component of the digital video signal. The color saturation can be adjusted by adjusting the U and V color gain components by the same amount in the normal situation. The U and V can also be adjusted independently to provide greater flexibility. The range of adjustment is 0 to 200%. A value of 128 (80h) has gain of 100%.	80

**0X06(CH1)/0X16(CH2)/0X26(CH3)/0X36(CH4) – HUE CONTROL REGISTER**

Bit	Function	R/W	Description	Reset
7-0	HUE	R/W	These bits control the color hue as 2's complement number. They have value from +90° (7Fh) to -90° (80h) with an increment of 2.8°. The 2 LSB has no effect. The positive value gives greenish tone and negative value gives purplish tone. The default value is 0° (00h). This is effective only on NTSC and PAL system.	00

**0X07(CH1)/0X17(CH2)/0X27(CH3)/0X37(CH4) – CROPPING REGISTER, HIGH**

Bit	Function	R/W	Description	Reset
7-6	VDELAY_HI	R/W	These bits are bit 9 to 8 of the 10-bit Vertical Delay register.	0
5-4	VACTIVE_HI	R/W	These bits are bit 9 to 8 of the 10-bit VACTIVE register. Refer to description on Reg09 for its shadow register.	1
3-2	HDELAY_HI	R/W	These bits are bit 9 to 8 of the 10-bit Horizontal Delay register.	0
1-0	HACTIVE_HI	R/W	These bits are bit 9 to 8 of the 10-bit HACTIVE register.	2

**0X08(CH1)/0X18(CH2)/0X28(CH3)/0X38(CH4) – VERTICAL DELAY REGISTER, LOW**

Bit	Function	R/W	Description	Reset
7-0	VDELAY_LO	R/W	These bits are bit 7 to 0 of the 10-bit Vertical Delay register. The two MSBs are in the CROP_HI register. It defines the number of lines between the leading edge of VSYNC and the start of the active video.	12

**0X09(CH1)/0X19(CH2)/0X29(CH3)/0X39(CH4) – VERTICAL ACTIVE REGISTER, LOW**

Bit	Function	R/W	Description	Reset
7-0	VACTIVE_LO	R/W	These bits are bit 7 to 0 of the 10-bit Vertical Active register. The two MSBs are in the CROP_HI register. It defines the number of active video lines per frame output.  The VACTIVE register has a shadow register for use with 50Hz source when ATREG of Reg0x1C is not set. This register can be accessed through the same index address by first changing the format standard to any 50Hz standard.	20

**0X0A(CH1)/0X1A(CH2)/0X2A(CH3)/0X3A(CH4) – HORIZONTAL DELAY REGISTER, LOW**

Bit	Function	R/W	Description	Reset
7-0	HDELAY_LO	R/W	These bits are bit 7 to 0 of the 10-bit Horizontal Delay register. The two MSBs are in the CROP_HI register. It defines the number of pixels between the leading edge of the HSYNC and the start of the image cropping for active video.  The HDELAY_LO register has two shadow registers for use with PAL and SECAM sources respectively. These register can be accessed using the same index address by first changing the decoding format to the corresponding standard.	0A

**0X0B(CH1)/0X1B(CH2)/0X2B(CH3)/0X3B(CH4) – HORIZONTAL ACTIVE REGISTER, LOW**

Bit	Function	R/W	Description	Reset
7-0	HACTIVE_LO	R/W	These bits are bit 7 to 0 of the 10-bit Horizontal Active register. The two MSBs are in the CROP_HI register. It defines the number of active pixels per line output.	D0

**0X0C(CH1)/0X1C(CH2)/0X2C(CH3)/0X3C(CH4) – MACROVISION DETECTION**

Bit	Function	R/W	Description	Reset
7	SF	R	This bit is for internal use.	0
6	PF	R	This bit is for internal use.	0
5	FF	R	This bit is for internal use.	0
4	KF	R	This bit is for internal use.	0
3	CSBAD	R	1 = Macrovision color stripe detection may be un-reliable	0
2	MVCSN	R	1 = Macrovision AGC pulse detected. 0 = Not detected.	0
1	CSTRIPE	R	1 = Macrovision color stripe protection burst detected. 0 = Not detected.	0
0	CTYPE	R	This bit is valid only when color stripe protection is detected, i.e. CSTRIPE=1. 1 = Type 2 color stripe protection 0 = Type 3 color stripe protection	0

**0X0D(CH1)/0X1D(CH2)/0X2D(CH3)/0X3D(CH4) – CHIP STATUS II**

Bit	Function	R/W	Description	Reset
7	VCR	R	VCR signal indicator.	0
6	WKAIR	R	Weak signal indicator 2.	0
5	WKAIR1	R	Weak signal indicator controlled by WKTH.	0
4	VSTD	R	1 = Standard signal    0 = Non-standard signal	0
3	NINTL	R	1 = Non-interlaced signal    0 = interlaced signal	0
2-0	Reserved	R	Reserved	0h

**0X0E(CH1)/0X1E(CH2)/0X2E(CH3)/0X3E(CH4) – STANDARD SELECTION**

Bit	Function	R/W	Description	Reset
7	DETSTATUS	R	0 = Idle 1 = detection in progress	0
6-4	STDNOW	R	Current standard invoked 0 = NTSC(M) 1 = PAL (B,D,G,H,I) 2 = SECAM 3 = NTSC4.43 4 = PAL (M) 5 = PAL (CN) 6 = PAL 60 7 = Not valid	0
3	ATREG	R/W	1 = Disable the shadow registers. 0 = Enable VACTIVE and HDELAY shadow registers value depending on standard	0
2-0	STD	R/W	Standard selection 0 = NTSC(M) 1 = PAL (B,D,G,H,I) 2 = SECAM 3 = NTSC4.43 4 = PAL (M) 5 = PAL (CN) 6 = PAL 60 7 = Auto detection	7

**0X0F(CH1)/0X1F(CH2)/0X2F(CH3)/0X3F(CH4) – STANDARD RECOGNITION**

Bit	Function	R/W	Description	Reset
7	ATSTART	R/W	Writing 1 to this bit will manually initiate the auto format detection process. This bit is a self-resetting bit.	0
6	PAL6_EN	R/W	1 = enable recognition of PAL60. 0 = disable recognition.	1
5	PALN_EN	R/W	1 = enable recognition of PAL (CN). 0 = disable recognition.	1
4	PALM_EN	R/W	1 = enable recognition of PAL (M). 0 = disable recognition.	1
3	NT44_EN	R/W	1 = enable recognition of NTSC 4.43. 0 = disable recognition.	1
2	SEC_EN	R/W	1 = enable recognition of SECAM. 0 = disable recognition.	1
1	PALB_EN	R/W	1 = enable recognition of PAL (B,D,G,H,I). 0 = disable recognition.	1
0	NTSC_EN	R/W	1 = enable recognition of NTSC (M). 0 = disable recognition.	1

**0XE4(CH1)/0XE7(CH2)/0XEA(CH3)/0XED(CH4) – VERTICAL SCALING REGISTER, LOW**

Bit	Function	R/W	Description	Reset
7-0	VSCALE_LO	R/W	These bits are bit 7 to 0 of the 12-bit vertical scaling ratio register	00

**0XE5(CH1)/0XE8(CH2)/0XEB(CH3)/0XEE(CH4) – SCALING REGISTER, HIGH**

Bit	Function	R/W	Description	Reset
7-4	VSCALE_HI	R/W	These bits are bit 11 to 8 of the 12-bit vertical scaling ratio register.	1
3-0	HSCALE_HI	R/W	These bits are bit 11 to 8 of the 12-bit horizontal scaling ratio register.	1

**0XE6(CH1)/0XE9(CH2)/0XEC(CH3)/0XEF(CH4) – HORIZONTAL SCALING REGISTER, LOW**

Bit	Function	R/W	Description	Reset
7-0	HSCALE_LO	R/W	These bits are bit 7 to 0 of the 12-bit horizontal scaling ratio register.	00



**0XA4(CH1)/0XA5(CH2)/0XA6(CH3)/0XA7(CH4) – ID DETECTION CONTROL**

Bit	Function	R/W	Description	Reset
7-6	IDX	R/W	These two bits indicate which of the four lower 6-bit registers is currently being controlled. The write sequence is a two steps process unless the same register is written. A write of {ID,000000} selects one of the four registers to be written. A subsequent write will actually write into the register.	0
5-0	NSEN / SSEN / PSEN / WKTH	R/W	<p>IDX = 0 controls the NTSC color carrier detection sensitivity (NSEN).</p> <p>IDX = 1 controls the SECAM ID detection sensitivity (SSEN).</p> <p>IDX = 2 controls the PAL ID detection sensitivity (PSEN).</p> <p>IDX = 3 controls the weak signal detection sensitivity (WKTH).</p>	1A / 20 / 1C / 2A

**0XC4(CH1)/0XC5(CH2)/0XC6(CH3)/0XC7(CH4) – H MONITOR**

Bit	Function	R/W	Description	Reset
7-0	HFREF	R	Horizontal line frequency indicator(Test purpose only)	X

**0X80 – SOFTWARE RESET CONTROL REGISTER**

Bit	Function	R/W	Description	Reset
7-6	Reserved	R	Reserved	00b
5	AUDIORST	W	An 1 written to this bit resets the Audio portion to its default state but all register content remain unchanged. This bit is self-resetting.	0
4	VOURST	W	An 1 written to this bit resets Video data mux output logic to its default state but all register content remain unchanged. This bit is self-resetting.	0
3	VDEC4RST	W	An 1 written to this bit resets the Video4 Decoder portion to its default state but all register content remain unchanged. This bit is self-resetting.	0
2	VDEC3RST	W	An 1 written to this bit resets the Video3 Decoder portion to its default state but all register content remain unchanged. This bit is self-resetting.	0
1	VDEC2RST	W	An 1 written to this bit resets the Video2 Decoder portion to its default state but all register content remain unchanged. This bit is self-resetting.	0
0	VDEC1RST	W	An 1 written to this bit resets the Video1 Decoder portion to its default state but all register content remain unchanged. This bit is self-resetting.	0

**0X81 – ANALOG CONTROL REGISTER**

Bit	Function	R/W	Description	Reset
7	Reserved	R	Reserved	0
6	IREF	R/W	0 = Internal current reference 1. 1 = Internal current reference increase 30%.	0
5	VREF	R/W	0 = Internal voltage reference. 1 = Internal voltage reference shut down.	0
4	Reserved	R/W	0 = Normal operation(must be 0), 1 = AIGAINTEST	0
3	CLKPDN	R/W	0 = Normal clock operation. 1 = All 4Ch Video Decoder System clock in power down mode, but the MPU INTERFACE module and output clocks (CLKP and CLKN) are still active.	0
2	Reserved	R/W	0 = Normal operation(must be 0), 1 = AINSWTEST	0
1	YFLEN	R/W	Analog Video CH1/CH2/CH3/CH4 anti-alias filter control 1 = enable 0 = disable	1
	YSV	R/W	Analog Video CH1/CH2/CH3/CH4 Reduced power mode 1 = enable 0 = disable	0

**0X82 – ANALOG CONTROL REGISTER2**

Bit	Function	R/W	Description	Reset
7	CTEST	R/W	Clamping control for debugging use.(Test purpose only)	0
6	YCLEN	R/W	1 = Y channel clamp disabled(Test purpose only) 0 = Enabled.	0
5	CKIPOL	R/W	27MHz clock output signal rise/fall timing. 0: change by 54MHz clock output falling edge. 1: change by 54MHz clock output rising edge.	0
4	Reserved	R		0
3	GTEST	R/W	1 = Test.(Test purpose only) 0 = Normal operation.	0
2	VLPF	R/W	Clamping filter control.	0
1	CKLY	R/W	Clamping current control 1.	0
0	CKLC	R/W	Clamping current control 2.	0

**0X83 – CONTROL REGISTER I**

Bit	Function	R/W	Description	Reset
7	PBW	R/W	1 = Wide Chroma BPF BW 0 = Normal Chroma BPF BW	1
6	DEM	R/W	Reserved	1
5	PALSW	R/W	1 = PAL switch sensitivity low. 0 = PAL switch sensitivity normal.	0
4	SET7	R/W	1 = The black level is 7.5 IRE above the blank level. 0 = The black level is the same as the blank level.	0
3	COMB	R/W	1 = Adaptive comb filter for NTSC and PAL(recommended). Not for SECAM. 0 = Notch filter. For SECAM.	1
2	HCOMP	R/W	1 = operation mode 1. (recommended) 0 = mode 0.	1
1	YCOMB	R/W	1 = Bypass Comb filter when no burst presence 0 = No bypass	0
0	PDLY	R/W	PAL delay line. 0 = enabled. 1 = disabled.	0

**0X84 – COLOR KILLER HYSTERESIS CONTROL REGISTER**

Bit	Function	R/W	Description	Reset
7	GMEN	R/W	Reserved.	0
6-5	CKHY	R/W	Color killer hysteresis. 0 - fastest    1 - fast            2 - medium    3 - slow	00b
4-0	HSDLY	RW	Reserved for test.	00h

**0X85 – VERTICAL SHARPNESS**

Bit	Function	R/W	Description	Reset
7-4	SHCOR	R/W	These bits provide coring function for the sharpness control.	8
3	VIN4	R/W	Ch4 Video ADC input signal select. 0:VIN4A, 1:VIN4B	0
2	VIN3	R/W	Ch3 Video ADC input signal select. 0:VIN3A, 1:VIN3B	0
1	VIN2	R/W	Ch2 Video ADC input signal select. 0:VIN2A, 1:VIN2B	0
0	VIN1	R/W	Ch1 Video ADC input signal select. 0:VIN1A, 1:VIN1B	0

**0X86 – CORING CONTROL REGISTER**

Bit	Function	R/W	Description	Reset
7-6	CTCOR	R/W	These bits control the coring for CTI.	1
5-4	CCOR	R/W	These bits control the low level coring function for the Cb/Cr output.	0
3-2	VCOR	R/W	These bits control the coring function of vertical peaking.	1
1-0	CIF	R/W	These bits control the IF compensation level. 0 = None    1 = 1.5dB    2 = 3dB    3 = 6dB	0

**0X87 – CLAMPING GAIN**

Bit	Function	R/W	Description	Reset
7-4	CLPEND	R/W	These 4 bits set the end time of the clamping pulse. Its value should be larger than the value of CLPST.	5
3-0	CLPST	R/W	These 4 bits set the start time of the clamping. It is referenced to PCLAMP position.	0

**0X88 – INDIVIDUAL AGC GAIN**

Bit	Function	R/W	Description	Reset
7-4	NMGAIN	R/W	These bits control the normal AGC loop maximum correction value.	2
3-1	WPGAIN	R/W	Peak AGC loop gain control.	1
0	Reserved	R	Reserved	0

**0X8A – WHITE PEAK THRESHOLD**

Bit	Function	R/W	Description	Reset
7-0	PEAKWT	R/W	These bits control the white peak detection threshold. Setting 'FF' can disable this function.	D8

**0X8B– CLAMP LEVEL**

Bit	Function	R/W	Description	Reset
7	CLMPLD	R/W	0 = Clamping level is set by CLMPL. 1 = Clamping level preset at 60d.	1
6-0	CLMPL	R/W	These bits determine the clamping level of the Y channel.	3C

**0X8C – SYNC AMPLITUDE**

Bit	Function	R/W	Description	Reset
7	SYNCTD	R/W	0 = Reference sync amplitude is set by SYNCT. 1 = Reference sync amplitude is preset to 38h.	1
6-0	SYNCT	R/W	These bits determine the standard sync pulse amplitude for AGC reference.	38

**0X8D – SYNC MISS COUNT REGISTER**

Bit	Function	R/W	Description	Reset
7-4	MISSCNT	R/W	These bits set the threshold for horizontal sync miss count threshold.	4
3-0	HSWIN	R/W	These bits determine the VCR mode detection threshold.	4

**0X8E – CLAMP POSITION REGISTER**

Bit	Function	R/W	Description	Reset
7-0	PCLAMP	R/W	These bits set the clamping position from the PLL sync edge	38

**0X8F – VERTICAL CONTROL I**

Bit	Function	R/W	Description	Reset
7-6	VLCKI	R/W	Vertical lock in time. 0 = fastest 3 = slowest.	0
5-4	VLCKO	R/W	Vertical lock out time. 0 = fastest 3 = slowest.	0
3	VMODE	R/W	This bit controls the vertical detection window. 1 = search mode. 0 = vertical count down mode.	0
2	DETV	R/W	1 = recommended for special application only. 0 = Normal Vsync logic	0
1	AFLD	R/W	Auto field generation control 0 = Off 1 = On	0
0	VINT	R/W	Vertical integration time control. 1 = short 0 = normal	0

**0X90 – VERTICAL CONTROL II**

Bit	Function	R/W	Description	Reset
7-5	BSHT	R/W	Burst PLL center frequency control.	0
5-0	VSHT	R/W	Vsync output delay control in the increment of half line length.	00

**0X91 – COLOR KILLER LEVEL CONTROL**

Bit	Function	R/W	Description	Reset
7-6	CKILMA X	R/W	These bits control the amount of color killer hysteresis. The hysteresis amount is proportional to the value.	1
5-0	CKILMIN	R/W	These bits control the color killer threshold. Larger value gives lower killer level.	38

**0X92 – COMB FILTER CONTROL**

Bit	Function	R/W	Description	Reset
7	HTL	R/W	0 = adaptive mode    1 = fixed comb	0
6-4	HTL	R/W	Adaptive Comb filter threshold control 1.	4
3-0	VTL	R/W	Adaptive Comb filter threshold control 2.	4

**0X93 – LUMA DELAY AND H FILTER CONTROL**

Bit	Function	R/W	Description	Reset
7	CKLM	R/W	Color Killer mode. 0 = normal    1 = fast ( for special application)	0
6-4	YDLY	R/W	Luma delay fine adjustment. This 2's complement number provides -4 to +3 unit delay control.	3
3-0	Reserved	RW		0h

**0X94 – MISCELLANEOUS CONTROL I**

Bit	Function	R/W	Description	Reset
7	HPLC	R/W	Reserved for internal use.	0
6	EVCNT	R/W	1 = Even field counter in special mode. 0 = Normal operation	0

Bit	Function	R/W	Description	Reset
5	PALC	R/W	Reserved for future use.	0
4	SDET	R/W	ID detection sensitivity. A '1' is recommended.	1
3	TBC_EN	R/W	1 = Internal TBC enable.Total pixel per line on Video active line is always 858x2 for NTSC/PAL-M(60Hz) and 864x2 for PAL/SECAM(50Hz). 0 = TBC off.	0
2	BYPASS	R/W	It controls the standard detection and should be set to '1' in normal use.	1
1	SYOUT	R/W	1 = Hsync output is disabled when video loss is detected 0 = Hsync output is always enabled	0
0	Reserved	R	Reserved	0

**0X95 – LOOP CONTROL REGISTER**

Bit	Function	R/W	Description	Reset
7-6	HPM	R/W	Horizontal PLL acquisition time. 3 = Fast 2 = Auto1 1 = Auto2 0 = Normal	2
5-4	ACCT	R/W	ACC time constant 0 = No ACC 1 = slow 2 = medium 3 = fast	2
3-2	SPM	R/W	Burst PLL control. 0 = Slowest 1 = Slow 2 = Fast 3 = Fastest	1
1-0	CBW	R/W	Chroma low pass filter bandwidth control. Refer to filter curves.	1

**0X96 – MISCELLANEOUS CONTROL II**

Bit	Function	R/W	Description	Reset
7	NKILL	R/W	1 = Enable noisy signal color killer function in NTSC mode. 0 = Disabled.	1
6	PKILL	R/W	1 = Enable automatic noisy color killer function in PAL mode. 0 = Disabled.	1
5	SKILL	R/W	1 = Enable automatic noisy color killer function in SECAM mode. 0 = Disabled.	1
4	CBAL	R/W	0 = Normal output 1 = special output mode.	0
3	FCS	R/W	1 = Force decoder output value determined by CCS. 0 = Disabled.	0

Bit	Function	R/W	Description	Reset
2	LCS	R/W	1 = Enable pre-determined output value indicated by CCS when video loss is detected. 0 = Disabled.	0
1	CCS	R/W	When FCS is set high or video loss condition is detected when LCS is set high, one of two colors display can be selected. 1 = Blue color. 0 = Black.	0
0	BST	R/W	1 = Enable blue stretch. 0 = Disabled.	0

**0X97 – CLAMP MODE**

Bit	Function	R/W	Description	Reset
7-6	FRM	R/W	Free run mode control 0 = Auto, 2 = default to 60Hz, 3 = default to 50Hz	0
5-4	YNR	R/W	Y HF noise reduction 0 = None, 1 = smallest, 2 = small, 3 = medium	0
3-2	CLMD	R/W	Clamping mode control. 0 = Sync top, 1 = Auto, 2 = Pedestal, 3 = N/A	1
1-0	PSP	R/W	Slice level control 0 = low                      1 = medium      2 = high	1

**0X98 – HSLWCTL**

Bit	Function	R/W	Description	Reset
7	Reserved	R/W		0
6-4	HSBEGIN[2:0]	R/W	HSYNC Start position Control Bit2-0.	00
3	Reserved	R/W		0
2-0	HSEND[2:0]	R/W	HSYNC End position Control Bit2-0.	00

**0X99 – HSBEGIN**

Bit	Function	R/W	Description	Reset
7-0	HSBEGIN[10:3]	R/W	HSYNC Start position Control Bit10-3.	28



**0X9A – HSEND**

Bit	Function	R/W	Description	Reset
7-0	HSEND[10:3]	R/W	HSYNC End position Control Bit10-3.	44

**0X9B – OVSDLY**

Bit	Function	R/W	Description	Reset
7-0	OVSDLY	R/W	VSYNC Start position. Control H position on VSYNC start.	44

**0X9C – OVSEND**

Bit	Function	R/W	Description	Reset
7	HASYNC	R/W	1:the length of EAV to SAV is set up and fixed by HBLEN registers. 0:the length of SAV to EAV is set up and fixed by HACTIVE registers.	0
6-4	OFDLY	R/W	FIELD output delay. 0h:0H line delay FIELD output.(601 mode only) 1h-6h: 1H-6H line delay FIELD output. 7h:Reserved.	2
3	VSMODE	R/W	1:VSYSNC output is HACTIVE-VSYNCS mode. 0:VSYSNC output is HASYNC-VSYNCS mode.	0
2-0	OVSEND	R/W	Line delay for VSYNC end position.	0

**0X9D – HBLEN**

Bit	Function	R/W	Description	Reset
7-0	HBLEN	R/W	These bits are effective when HASYNC bit is set to 1.These bits set up the length of EAV to SAV code when HASYNC bit is 1.Normal value is (Total pixel per line – HACTIVE) value. NTSC/PAL-M(60Hz): 8Ah(138dec)=858-720 PAL/SECAM(50Hz): 90h(144dec)=864-720 If Reg0x0E[3](ATRIG for CH1) is set to 0,this value changes into 8Ah or 90h at auto video format detection initial time automatically according to CH1 video detection status.	90h

**0X9E – NOVID**

Bit	Function	R/W	Description	Reset
7	Reserved	R	Reserved	0
6	FC27	R/W	1:normal ITU-R656 operation 0:Squared Pixel mode.	1
5-4	CHID_MD	R/W	Select the Channel ID format for time-multiplexed output 0 No channel ID (default) 1 CHID with the specific ITU-R BT.656 sync Code 2 CHID with the specific horizontal blanking code 3 CHID with the specific ITU-R BT.656 sync & horizontal blanking code	0
3	NOVID_656	R/W	0:Normal ITU-R BT.656 SA/EAV(default) 1:AN optional set of ITU-R BT.656 SAV/EAV code for No-video status	0
2	EAVSWAP	R/W	1:EAV-SAV code is swapped. 0:EAV-SAV code is not swapped(standard 656 output mode)	0
1	VIPCFG	R/W	Set up Bit7 in 4th byte of EAV/SAV code. 1:Standard ITU-R656 code format.(It's also VIP task-A code format.) 0:Old VIP task-B code format.	1
0	NTSC656	R/W	1:Number of Even Field Video output line is (the number of Odd field Video output line - 1).This bit is required for ITU-R BT.656 output for 525 line system standard. 0: Number of Even Field Video output line is same as the number of Odd field Video output line.	0

**0X9F(CH1)/0X67(CH2)/0X68(CH3)/0X69(CH4) – CLOCK OUTPUT DELAY CONTROL REGISTER**

Index	Bit	Function	R/W	Description	Reset
0x9F	7-4	CLKN01_DEL	R/W	Control the clock delay of CLKNO <sub>n</sub> pin. 0h/1h/3h/7h/Fh values are effective. 1h: about 2ns more delay, 3h: about 4ns more delay, 7h: about 6ns more delay, Fh: about 7ns more delay	0h
0x67		CLKN02_DEL	RW		
0x68		CLKN03_DEL	R/W		
0x69		CLKN04_DEL	RW		
0x9F	3-0	CLKP01_DEL	R/W	Control the clock delay of CLKPO <sub>n</sub> pin. 0h/1h/3h/7h/Fh values are effective. 1h: about 2ns more delay, 3h: about 4ns more delay, 7h: about 6ns more delay, Fh: about 7ns more delay	0h
0x67		CLKP02_DEL	R/W		
0x68		CLKP03_DEL	R/W		
0x69		CLKP04_DEL	R/W		

\*) CLKNO<sub>n</sub>\_POL/CLKPO<sub>n</sub>\_POL controls have more better & easy clock margin adjustment.

Use CLKNO<sub>n</sub>\_POL/CLKPO<sub>n</sub>\_POL at first normally, especially for 27MHz/54MHz data output application. CLKNO<sub>n</sub>\_DEL/CLKPO<sub>n</sub>\_DEL are sometimes required for 108MHz data output interface. CLKNO<sub>n</sub>\_DEL/CLKPO<sub>n</sub>\_DEL are not required for 27MHz/54MHz data output in most cases.

**0XA8 – 0XA9 – HORIZONTAL SCALER PRE-FILTER CONTROL REGISTER****0XA8 – HORIZONTAL SCALER PRE-FILTER CONTROL REGISTER**

Bit	Function	R/W	Description	Reset
7-4	HFLT2	R/W	Pre-filter selection for Video CH1/CH2 horizontal scaler. If HSCALE[11:8]=1, HFLT [3:0] controls the peaking function. If HSCALE[11:8]>1, HFLT [2:0] function is bellow.	0h
3-0	HFLT1	R/W	1** = Bypass 000 = Auto selection based on Horizontal scaling ratio. 001 = Recommended for CIF size image. 010 = Recommended for QCIF size image. 011 = Recommended for ICON size image.	0h

**0XA9 – HORIZONTAL SCALER PRE-FILTER CONTROL REGISTER**

Bit	Function	R/W	Description	Reset
7-4	HFLT4	R/W	Pre-filter selection for Video CH3/CH4 horizontal scaler. If HSCALE[11:8]=1,HFLT [3:0] controls the peaking function. If HSCALE[11:8]>1,HFLT [2:0] function is bellow.	0h
3-0	HFLT3	R/W	1** = Bypass 000 = Auto selection based on Horizontal scaling ratio. 001 = Recommended for CIF size image. 010 = Recommended for QCIF size image. 011 = Recommended for ICON size image.	0h

**VIDEO AGC CONTROL****0XAA – VIDEO AGC CONTROL**

Bit	Function	R/W	Description	Reset
7	AGCEN4	R/W	Select Video AGC loop function on VIN4 0: AGC loop function enabled.(recommended for most application cases) 1: AGC loop function disabled. Gain is set by AGCGAIN4	0
6	AGCEN3	R/W	Select Video AGC loop function on VIN3 0: AGC loop function enabled.(recommended for most application cases) 1: AGC loop function disabled. Gain is set by AGCGAIN3	0
5	AGCEN2	R/W	Select Video AGC loop function on VIN2 0: AGC loop function enabled.(recommended for most application cases) 1: AGC loop function disabled. Gain is set by AGCGAIN2	0
4	AGCEN1	R/W	Select Video AGC loop function on VIN1 0: AGC loop function enabled.(recommended for most application cases) 1: AGC loop function disabled. Gain is set by AGCGAIN1	0
3	AGCGAIN4[8]	R/W	AGCGAIN4 MSB bit	0
2	AGCGAIN3[8]	R/W	AGCGAIN3 MSB bit	0

Bit	Function	R/W	Description	Reset
1	AGCGAIN2[8]	R/W	AGCGAIN2 MSB bit	0
0	AGCGAIN1[8]	R/W	AGCGAIN1 MSB bit	0

**0XAB – VIDEO AGC CONTROL**

Bit	Function	R/W	Description	Reset
7-0	AGCGAIN1[7:0]	R/W	To control the AGC Gain when AGC loop is disabled. AGCGAIN1 bit7-0.	F0h

**0XAC – VIDEO AGC CONTROL**

Bit	Function	R/W	Description	Reset
7-0	AGCGAIN2[7:0]	R/W	To control the AGC Gain when AGC loop is disabled. AGCGAIN2 bit7-0.	F0h

**0XAD – VIDEO AGC CONTROL**

Bit	Function	R/W	Description	Reset
7-0	AGCGAIN3[7:0]	R/W	To control the AGC Gain when AGC loop is disabled. AGCGAIN3 bit7-0.	F0h

**0XAE – VIDEO AGC CONTROL**

Bit	Function	R/W	Description	Reset
7-0	AGCGAIN4[7:0]	R/W	To control the AGC Gain when AGC loop is disabled. AGC GAIN4 bit7-0.	F0h

**OXAF – VERTICAL PEAKING LEVEL CONTROL**

Bit	Function	R/W	Description	Reset
7	Reserved	R		0
6-4	VSHP2	R/W	Select CH2 Video Vertical peaking level. (Note 1) 0 : none. 7 : highest	0
3	Reserved	R		0
2-0	VSHP1	R/W	Select CH1 Video Vertical peaking level. (Note 1) 0 : none. 7 : highest	0

NOTE:

1. VSHP must be set to '0' if Reg0x83 COMB = 0.

**0XB0 – VERTICAL PEAKING LEVEL CONTROL**

Bit	Function	R/W	Description	Reset
7	Reserved	R		0
6-4	VSHP4	R/W	Select CH4 Video Vertical peaking level. (Note 1) 0 : none. 7 : highest	0
3	Reserved	R		0
2-0	VSHP3	R/W	Select CH3 Video Vertical peaking level. (Note 1) 0 : none. 7 : highest	0

NOTE:

1. VSHP must be set to '0' if Reg0x83 COMB = 0.

**0XB1 – NOVIDMODE**

Bit	Function	R/W	Description	Reset
7	CH8IDEN	R/W	Video Channel ID number have following value in Sync Code and Horizontal Blanking Code. 0: 4 channel ID Only output VIN1A/VIN1B : 0h VIN2A/VIN2B : 1h VIN3A/VIN3B : 2h VIN4A/VIN4B: 3h 1: 8 channel ID output VIN1A : 0h VIN2A : 1h VIN3A : 2h VIN4A : 3h VIN1B : 4h VIN2B : 5h VIN3B : 6h VIN4B : 7h	0
6	Reserved	R		1
5-4	NOVIDMODE	R/W	Select NOVID_656 output mode status.When NOVID_656 is set to 1, NOVID_656 code is being output when following status is active in Video Decoding logic. 0 : Video lost (vdloss). 1 : No Video (noveideo). 2 : Video lost or No video(vdloss or noveideo) 3 : NOVID_656 code is not being output at anytime.	0h
3-0	Reserved	R		Ah

**AUDIO ADC DIGITAL INPUT OFFSET CONTROL****0XB3 – AUDIO ADC DIGITAL INPUT OFFSET CONTROL**

Bit	Function	R/W	Description	Reset
7-6	AADC4OFS[9:8]	R/W	Ch4 Digital ADC input data offset control bit9-8.	0h
5-4	AADC3OFS[9:8]	R/W	Ch3 Digital ADC input data offset control bit9-8.	0h
3-2	AADC2OFS[9:8]	R/W	Ch2 Digital ADC input data offset control bit9-8.	0h
1-0	AADC1OFS[9:8]	R/W	Ch1 Digital ADC input data offset control bit9-8.	0h

NOTE:

Digital ADC input data offset control.Digital ADC input data is adjusted by

$$ADJAADCn = AUDnADC + AADCnOFS.$$

AUDnADC is 2's formatted Analog Audio ADC output.

AADCnOFS is adjusted offset value by 2's format.

**0XB4 – AUDIO ADC DIGITAL INPUT OFFSET CONTROL**

Bit	Function	R/W	Description	Reset
7-0	AADC1OFS[7:0]	R/W	Ch1 Digital ADC input data offset control bit7-0.	0h

**0XB5 – AUDIO ADC DIGITAL INPUT OFFSET CONTROL**

Bit	Function	R/W	Description	Reset
7-0	AADC2OFS[7:0]	R/W	Ch2 Digital ADC input data offset control bit7-0.	0h

**0XB6 – AUDIO ADC DIGITAL INPUT OFFSET CONTROL**

Bit	Function	R/W	Description	Reset
7-0	AADC3OFS[7:0]	R/W	Ch3 Digital ADC input data offset control bit7-0.	0h

**0XB7 – AUDIO ADC DIGITAL INPUT OFFSET CONTROL**

Bit	Function	R/W	Description	Reset
7-0	AADC4OFS[7:0]	R/W	Ch4 Digital ADC input data offset control bit7-0.	0h

**0X75 – AUDIO ADC DIGITAL INPUT OFFSET CONTROL**

Bit	Function	R/W	Description	Reset
7-2	Reserved	R		0h
1-0	AADC5OFS[9:8]	R/W	Ch5 Digital ADC input data offset control bit9-8.	0h

Digital ADC input data offset control. Digital ADC input data is adjusted by

$$ADJAADCn = AUDnADC + AADCnOFS.$$

AUDnADC is 2's formatted Analog Audio ADC output.

AADCnOFS is adjusted offset value by 2's format.

**0X76 – AUDIO ADC DIGITAL INPUT OFFSET CONTROL**

Bit	Function	R/W	Description	Reset
7-0	AADC5OFS[7:0]	R/W	Ch5 Digital ADC input data offset control bit7-0.	0h



**ANALOG AUDIO ADC DIGITAL OUTPUT VALUE****0XB8 – ANALOG AUDIO ADC DIGITAL OUTPUT VALUE**

Bit	Function	R/W	Description	Reset
7-6	AUD4ADC[9:8]	R	Bit9-8 of Ch4 Analog Audio ADC Digital Output Value by 2's format.	X
5-4	AUD3ADC[9:8]	R	Bit9-8 of Ch3 Analog Audio ADC Digital Output Value by 2's format.	X
3-2	AUD2ADC[9:8]	R	Bit9-8 of Ch2 Analog Audio ADC Digital Output Value by 2's format.	X
1-0	AUD1ADC[9:8]	R	Bit9-8 of Ch1 Analog Audio ADC Digital Output Value by 2's format.	X

**0XB9 – ANALOG AUDIO ADC DIGITAL OUTPUT VALUE**

Bit	Function	R/W	Description	Reset
7-0	AUD1ADC[7:0]	R	Bit7-0 of Ch1 Analog Audio ADC Digital Output Value by 2's format.	X

**0XBA – ANALOG AUDIO ADC DIGITAL OUTPUT VALUE**

Bit	Function	R/W	Description	Reset
7-0	AUD2ADC[7:0]	R	Bit7-0 of Ch2 Analog Audio ADC Digital Output Value by 2's format.	X

**0XBB – ANALOG AUDIO ADC DIGITAL OUTPUT VALUE**

Bit	Function	R/W	Description	Reset
7-0	AUD3ADC[7:0]	R	Bit7-0 of Ch3 Analog Audio ADC Digital Output Value by 2's format..	X

**0XBC – ANALOG AUDIO ADC DIGITAL OUTPUT VALUE**

Bit	Function	R/W	Description	Reset
7-0	AUD4ADC[7:0]	R	Bit7-0 of Ch4 Analog Audio ADC Digital Output Value by 2's format.	X

**0X77 – ANALOG AUDIO ADC DIGITAL OUTPUT VALUE**

Bit	Function	R/W	Description	Reset
7-2	Reserved		Reserved	00h
1-0	AUD5ADC[9:8]	R	Bit9-8 of Ch5 Analog Audio ADC Digital Output Value by 2's format.	X

**0X78 – ANALOG AUDIO ADC DIGITAL OUTPUT VALUE**

Bit	Function	R/W	Description	Reset
7-0	AUD5ADC[7:0]	R	Bit7-0 of Ch5 Analog Audio ADC Digital Output Value by 2's format.	X

**ADJUSTED ANALOG AUDIO ADC DIGITAL INPUT VALUE****0XBD – ADJUSTED ANALOG AUDIO ADC DIGITAL INPUT VALUE**

Bit	Function	R/W	Description	Reset
7-6	ADJAADC4[9:8]	R	Bit9-8 of Ch4 adjusted Audio ADC Digital Input Data Value by 2's format.	X
5-4	ADJAADC3[9:8]	R	Bit9-8 of Ch3 adjusted Audio ADC Digital Input Data Value by 2's format.	X
3-2	ADJAADC2[9:8]	R	Bit9-8 of Ch2 adjusted Audio ADC Digital Input Data Value by 2's format.	X
1-0	ADJAADC1[9:8]	R	Bit9-8 of Ch1 adjusted Audio ADC Digital Input Data Value by 2's format.	X

The value shows the first input data in front of Digital Audio Decimation Filtering process.

**0XBE – ADJUSTED ANALOG AUDIO ADC DIGITAL INPUT VALUE**

Bit	Function	R/W	Description	Reset
7-0	ADJAADC1[7:0]	R	Bit7-0 of Ch1 adjusted Audio ADC Digital Input Data Value by 2's format.	X

**0XBF – ADJUSTED ANALOG AUDIO ADC DIGITAL INPUT VALUE**

Bit	Function	R/W	Description	Reset
7-0	ADJAADC2[7:0]	R	Bit7-0 of Ch2 adjusted Audio ADC Digital Input Data Value by 2's format.	X

**0XC0 – ADJUSTED ANALOG AUDIO ADC DIGITAL INPUT VALUE**

Bit	Function	R/W	Description	Reset
7-0	ADJAADC3[7:0]	R	Bit7-0 of Ch3 adjusted Audio ADC Digital Input Data Value by 2's format.	X

**0XC1 – ADJUSTED ANALOG AUDIO ADC DIGITAL INPUT VALUE**

Bit	Function	R/W	Description	Reset
7-0	ADJAADC4[7:0]	R	Bit7-0 of Ch4 adjusted Audio ADC Digital Input Data Value by 2's format.	X

**0X79 – ADJUSTED ANALOG AUDIO ADC DIGITAL INPUT VALUE**

Bit	Function	R/W	Description	Reset
7-2			Reserved	00h
1-0	ADJAADC5[9:8]	R	Bit9-8 of Ch5 adjusted Audio ADC Digital Input Data Value by 2's format.	X

**0X7A – ADJUSTED ANALOG AUDIO ADC DIGITAL INPUT VALUE**

Bit	Function	R/W	Description	Reset
7-0	ADJAADC5[7:0]	R	Bit7-0 of Ch5 adjusted Audio ADC Digital Input Data Value by 2's format.	X

**MPP PIN OUTPUT MODE CONTROL****0XC8 – MPP PIN OUTPUT MODE CONTROL**

Bit	Function	R/W	Description	Reset
7	GPP_VAL2	R/W	Select the general purpose value through the MPP2 pin for Ch2. 0 : "0" vaule, 1: "1" value	0h
6-4	MPP_MODE2	R/W	Select the output mode for MPP2 pin. Followings show the status when POLMPP2 register is set to 0. If POLMPP2 register is set to 1, following values have inversed status. 0:Horizontal sync output.Low is H-sync active. 1:Vertical sync output.Low is V-sync active. 2:Field flag output.Low is field1(Odd),High is field2 (Even). 3:Horizontal active signal output.High is H-active. 4:Vertical active & horizontal active signal output.High is VH-active. 5:No video flag.High is No-video,Low is Video. 6:Digital serial audio mixing data same as ADATM pin 7:GPP_VAL.Same as GPP_VAL2 register value.  If VDLOSSOE register is set to "1", vdlloss2 signal is output to MPP2 pin and these MPP_MODE2 function is not effective.	0h
3	GPP_VAL1	R/W	Select the general purpose value through the MPP1 pin for Ch1. 0 : "0" vaule, 1: "1" value	0h
2-0	MPP_MODE1	R/W	Select the output mode for MPP1 pin. Followings show the status when POLMPP1 register is set to 0. If POLMPP1 register is set to 1, following values have inversed status. 0:Horizontal sync output.Low is H-sync active. 1:Vertical sync output.Low is V-sync active. 2:Field flag output.Low is field1(Odd),High is field2(Even). 3:Horizontal active signal output.High is H-active. 4:Vertical active & horizontal active signal output.High is VH-active. 5:No video flag.High is No-video,Low is Video. 6:Digital serial audio mixing data same as ADATM pin 7:GPP_VAL.Same as GPP_VAL1 register value.  If VDLOSSOE register is set to "1", vdlloss1 signal is output to MPP1 pin and these MPP_MODE1 function is not effective.	0h

**OXC9 – MPP PIN OUTPUT MODE CONTROL**

Bit	Function	R/W	Description	Reset
7	GPP_VAL4	R/W	Select the general purpose value through the MPP4 pin for Ch4. 0 : "0" vaule, 1: "1" value	0h
6-4	MPP_MODE4	R/W	Select the output mode for MPP4 pin. Followings show the status when POLMPP4 register is set to 0. If POLMPP4 register is set to 1, following values have inversed status. 0:Horizontal sync output.Low is H-sync active. 1:Vertical sync output.Low is V-sync active. 2:Field flag output.Low is field1(Odd),High is field2(Even). 3:Horizontal active signal output.High is H-active. 4:Vertical active & horizontal active signal output.High is VH-active. 5:No video flag.High is No-video,Low is Video. 6:Digital serial audio mixing data same as ADATM pin 7:GPP_VAL.Same as GPP_VAL4 register value. If VDLOSSOE register is set to "1", vloss4 signal is output to MPP4 pin and these MPP_MODE4 function is not effective.	0h
3	GPP_VAL3	R/W	Select the general purpose value through the MPP3 pin for Ch3. 0 : "0" vaule, 1: "1" value	0h
2-0	MPP_MODE3	R/W	Select the output mode for MPP3 pin. Followings show the status when POLMPP3 register is set to 0. If each POLMPP3 register is set to 1, following values have inversed status. 0:Horizontal sync output.Low is H-sync active. 1:Vertical sync output.Low is V-sync active. 2:Field flag output.Low is field1(Odd),High is field2(Even). 3:Horizontal active signal output.High is H-active. 4:Vertical active & horizontal active signal output.High is VH-active. 5:No video flag.High is No-video,Low is Video. 6:Digital serial audio mixing data same as ADATM pin 7:GPP_VAL.Same as GPP_VAL3 register value.  If VDLOSSOE register is set to "1", vloss3 signal is output to MPP3 pin and these MPP_MODE3 function is not effective.	0h

**OXCA – VIDEO CHANNEL OUTPUT CONTROL**

Bit	Function	R/W	Description	Reset
7-6	CHMD4	R/W	Select video bus output mode on 8bit VD4[7:0] pin. 0: Single Channel ITU-R BT.656 format output. 1: Two Channel ITU-R BT.656 Time-multiplexed format output. 2: Four Channel ITU-R BT.656 Time-multiplexed format output.	0h
5-4	CHMD3	R/W	Select video bus output mode on 8bit VD3[7:0] pin. 0: Single Channel ITU-R BT.656 format output. 1: Two Channel ITU-R BT.656 Time-multiplexed format output. 2: Four Channel ITU-R BT.656 Time-multiplexed format output.	0h
3-2	CHMD2	R/W	Select video bus output mode on 8bit VD2[7:0] pin. 0: Single Channel ITU-R BT.656 format output. 1: Two Channel ITU-R BT.656 Time-multiplexed format output. 2: Four Channel ITU-R BT.656 Time-multiplexed format output.	0h
1-0	CHMD1	R/W	Select video bus output mode on 8bit VD1[7:0] pin. 0: Single Channel ITU-R BT.656 format output. 1: Two Channel ITU-R BT.656 Time-multiplexed format output. 2: Four Channel ITU-R BT.656 Time-multiplexed format output.	0h

**OXCB – FOUR CHANNEL CIF TIME-MULTIPLEXED FORMAT**

Bit	Function	R/W	Description	Reset
7	POLMPP4	R/W	Select MPP4 pin output polarity. 0: normal, 1: inverse polarity.	0
6	POLMPP3	R/W	Select MPP3 pin output polarity. 0: normal, 1: inverse polarity.	0
5	POLMPP2	R/W	Select MPP2 pin output polarity. 0: normal, 1: inverse polarity.	0
4	POLMPP1	R/W	Select MPP1 pin output polarity. 0: normal, 1: inverse polarity.	0
3	CIF_54M4	R/W	Enable four channel CIF time-multiplexed format with 54MHz for CH4. * 1: Output this Four channel CIF time-multiplexed format on VD4[7:0] with 54MHz.	0
2	CIF_54M3	R/W	Enable four channel CIF time-multiplexed format with 54MHz for CH3. * 1: Output this Four channel CIF time-multiplexed format on VD3[7:0] with 54MHz.	0
1	CIF_54M2	R/W	Enable four channel CIF time-multiplexed format with 54MHz for CH2. * 1: Output this Four channel CIF time-multiplexed format on VD2[7:0] with 54MHz.	0
0	CIF_54M1	R/W	Enable four channel CIF time-multiplexed format with 54MHz for CH1. * 1: Output this Four channel CIF time-multiplexed format on VD1[7:0] with 54MHz.	0

## NOTE:

Enable four channel CIF time-multiplexed format with 54MHz

CIF\_54M1~4 stands for CH1 to CH4.

When CHMD4/CHMD3/CHMD2/CHMD1 registers have 0h or 1h, this function is effective on all Video ports.

When CHMD4/CHMD3/CHMD2/CHMD1 registers have 2h value, all video ports are always four channel D1 Time-division-multiplexed Format with 108MHz.

0 : output format is controlled by CHMD4/CHMD3/CHMD2/CHMD1 registers and it's not four channel CIF time-multiplexed format with 54MHz.(default)

1 : Four channel CIF time-multiplexed format with 54MHz

**0XCC – 2ND CHANNEL SELECTION**

Bit	Function	R/W	Description	Reset
7-6	SELCH4	R/W	Select 2nd video output channel on Two Channel ITU-R BT.656 Time-multiplexed Format on VD4 pin 0: CH1 video output 1: CH2 video output 2: CH3 video output 3: CH4 video output	0h
5-4	SELCH3	R/W	Select 2nd video output channel on Two Channel ITU-R BT.656 Time-multiplexed Format on VD3 pin 0: CH1 video output 1: CH2 video output 2: CH3 video output 3: CH4 video output	3h
3-2	SELCH2	R/W	Select 2nd video output channel on Two Channel ITU-R BT.656 Time-multiplexed Format on VD2 pin 0: CH1 video output 1: CH2 video output 2: CH3 video output 3: CH4 video output	2h
1-0	SELCH1	R/W	Select 2nd video output channel on Two Channel ITU-R BT.656 Time-multiplexed Format on VD1 pin 0: CH1 video output 1: CH2 video output 2: CH3 video output 3: CH4 video output	1h



**0XCD – 1ST CHANNEL SELECTION**

Bit	Function	R/W	Description	Reset
7-6	MAINCH4	R/W	Select 1st video output channel on Two Channel ITU-R BT.656 Time-multiplexed Format on VD4 pin  0: CH1 video output 1: CH2 video output 2: CH3 video output 3: CH4 video output	3h
5-4	MAINCH3	R/W	Select 1st video output channel on Two Channel ITU-R BT.656 Time-multiplexed Format on VD3 pin  0: CH1 video output 1: CH2 video output 2: CH3 video output 3: CH4 video output	2h
3-2	MAINCH2	R/W	Select 1st video output channel on Two Channel ITU-R BT.656 Time-multiplexed Format on VD2 pin  0: CH1 video output 1: CH2 video output 2: CH3 video output 3: CH4 video output	1h
1-0	MAINCH1	R/W	Select 1st video output channel on Two Channel ITU-R BT.656 Time-multiplexed Format on VD1 pin  0: CH1 video output 1: CH2 video output 2: CH3 video output 3: CH4 video output	0h

**0XCE – ANALOG POWER DOWN CONTROL**

Bit	Function	R/W	Description	Reset
7	AAUTOMUTE	R/W	1: When input Analog data is less than ADET_TH level,output PCM data will be 0x0000(0x00).Audio DAC data input is 0x200. 0: No effect	0
6	Reserved	R	Reserved	0
5	A_DAC_PWDN	R/W	Power down the audio DAC. 0: Normal operation 1: Power down	0
4	A_ADC_PWDN	R/W	Power down the audio ADC. 0: Normal operation 1: Power down	0
3-0	V_ADC_PWDN	R/W	Power down the video ADC. V_ADC_PWDN[3:0] stands for CH4 to CH1. 0: Normal operation 1: Power down	0h

**0XCF – SERIAL MODE CONTROL**

Bit	Function	R/W	Description	Reset
7-6	SMD	R/W	Set up cascade Audio Serial mode. When SMD=2hex or 3hex,ALINKO pin output cascaded audio serial data. When SMD=0hex, ALINKO pin output is tri-state. 00:No Serial mode. ALINKO pin is tri-state output. 10: ALINKO pin is Serial out pin. ALINKI pin is Serial input pin.	0h
5-4	VRSTEL	R/W	Select VRST(V reset) signal on ACKG (Audio Clock Generator) refin input . 0 Ch1 VRST 1 Ch2 VRST 2 Ch3 VRST 3 Ch4 VRST	0h
3-0	Reserved	R		0

**0XD0, 0XD1, 0X7F - ANALOG AUDIO INPUT GAIN**

Index	Bit	Function	R/W	Description	Reset		
0xD0	7-4	AIGAIN2	R/W	Select the amplifier's gain for each analog audio input AIN1 ~ AIN5.  0     0.25 1     0.31 2     0.38 3     0.44 4     0.50 5     0.63 6     0.75 7     0.88 8     1.00 (default) 9     1.25 10    1.50 11    1.75 12    2.00 13    2.25 14    2.50 15    2.75  TW2867 : Typical recommended value is AIGAIN=8.	8h		
0xD1		AIGAIN4	R/W				
0x7F		AIGAIN5	R/W				
0xD0		3-0	AIGAIN1			R/W	8h
0xD1			AIGAIN3			R/W	
0x7F			MIXRATIO5			R/W	

**0XD2 – NUMBER OF AUDIO TO BE RECORDED**

Bit	Function	R/W	Description	Reset
7	M_RLSWAP	R/W	<p>Define the sequence of mixing and playback audio data on the ADATM pin.</p> <p>If RM_SYNC=0 : I2S format,            0:Mixing audio on position 0 and playback audio on position 8            1:Playback audio on position 0 and mixing audio on position 8</p> <p>If RM_SYNC=1 : DSP format,            0:Mixing audio on position 0 and playback audio on position 1            1:Playback audio on position 0 and mixing audio on position 1</p>	0
6	RM_SYNC	R/W	<p>Define the digital serial audio data format for record and mixing audio on the ACLKR, ASYNR, ADATR and ADATM pin.</p> <p>0 I2S format            1 DSP format</p>	0
5-4	RM_PBSEL	R/W	<p>Select the output PlayBackIn data for the ADATM pin.</p> <p>0 First Stage PalyBackIn audio            1 Second Stage PalyBackIn audio            2 Third Stage PalyBackIn audio            3 Last Stage PalyBackIn audio</p>	0h
3-2	R_ADATM	R/W	<p>Select the output mode for the ADATM pin.</p> <p>0:Digital serial data of mixing audio            1:Digital serial data of ADATR format record audio            2:Digital serial data of ADATM format record audio</p>	0h
1-0	R_MULTCH	R/W	<p>Define the number of audio for record on the ADATR pin.</p> <p>0 2 audios            1 4 audios            2 8 audios            3 16 audios</p> <p>Number of output data is limited as shown on Sequence of Multi-channel Audio Record table. Also, each output position data are selected by R_SEQ_0/R_SEQ_1/.../R_SEQ_F registers.</p>	0h

**0XD3, 0XD4, 0XD5, 0XD6, 0XD7, 0XD8, 0XD9, 0XDA – SEQUENCE OF AUDIO TO BE RECORDED**

Index	Bit	Function	R/W	Description	Reset
0xD3	7-4	R_SEQ1	R/W	Define the sequence of record audio on the ADATR pin. Refer to the Fig21 and Table7 for the detail of the R_SEQ_0 ~ R_SEQ_F. The default value of R_SEQ_0 is "0", R_SEQ_1 is "1", and R_SEQ_F is "F".  0     AIN1 1     AIN2 2     AIN3 :     : :     : 14    AIN15 15    AIN16	1h
	3-0	R_SEQ0	R/W		0h
0xD4	7-4	R_SEQ3	R/W		3h
	3-0	R_SEQ2	R/W		2h
0xD5	7-4	R_SEQ5	R/W		5h
	3-0	R_SEQ4	R/W		4h
0xD6	7-4	R_SEQ7	R/W		7h
	3-0	R_SEQ6	R/W		6h
0xD7	7-4	R_SEQ9	R/W		9h
	3-0	R_SEQ8	R/W		8h
0xD8	7-4	R_SEQB	R/W		Bh
	3-0	R_SEQA	R/W		Ah
0xD9	7-4	R_SEQD	R/W		Dh
	3-0	R_SEQC	R/W		Ch
0xDA	7-4	R_SEQF	R/W		Fh
	3-0	R_SEQE	R/W		Eh

**0XDB –MASTER CONTROL**

Bit	Function	R/W	Description	Reset
7	ADACEN	R/W	Audio DAC Function mode 0:Audio DAC function disable(test purpose only) 1:Audio DAC function enable	1
6	AADCEN	R/W	Audio ADC Function mode 0:Audio ADC function disable(test purpose only) 1:Audio ADC function enable	1
5	PB_MASTER	R/W	Define the operation mode of the ACLKP and ASYNP pin for playback.  0:All type I2S/DSP Slave mode(ACLKP and ASYNP is input)  1:TW2867 type I2S/DSP Master mode (ACLKP and ASYNP is output)	0
4	PB_LRSEL	R/W	Select audio data to be used for playback input. If PB_SYNC=0 I2S format, 0: 1st Left channel audio data(default), 1: 1st Right channel audio data. If PB_SYNC=1 DSP format, 0: 1st input audio data. 1: 2nd input audio data	0
3	PB_SYNC	R/W	Define the digital serial audio data format for playback audio on the ACLKP, ASYNP and ADATP pin.  0:I2S format 1:DSP format	0
2	RM_8BIT	R/W	Define output data format per one word unit on ADATR pin.  0:16bit one word unit output 1:8bit one word unit packed output	0
1	ASYNROEN	R/W	Define input/output mode on the ASYNR pin.  1:ASYNR pin is input 0:ASYNR pin is output	1
0	ACLKRMAS	R/W	Define input/output mode on the ACLKR pin and set up audio system processing.  0:ACLKR pin is input.External 256xfs or 320fs or 384xfs clock should be connected to ACLKR pin by AIN5MD/AFS384 setting.  1:ACLKR pin is output. Internal ACKG generates audio system clock.	0

**U-LAW/A-LAW OUTPUT AND MIX MUTE CONTROL****0XDC –U-LAW/A-LAW OUTPUT AND MIX MUTE CONTROL**

Bit	Function	R/W	Description	Reset
7-6	LAWMD	R/W	Select u-Law/A-Law/PCM/SB data output format on ADATR and ADATM pin. 0:PCM output 1:SB(Signed MSB bit in PCM data is inverted) output 2:u-Law output 3:A-Law output	0
5	MIX_DERATIO	R/W	Disable the mixing ratio value for all audio. 0:Apply individual mixing ratio value for each audio 1:Apply nominal value for all audio commonly	0
4-0	MIX_MUTE	R/W	Enable the mute function for each audio. It effects only for mixing. MIX_MUTE[0] : Audio input AIN1. MIX_MUTE[1] : Audio input AIN2. MIX_MUTE[2] : Audio input AIN3. MIX_MUTE[3] : Audio input AIN4. MIX_MUTE[4] : Playback audio input. 0:Normal 1:Muted.	00h

**0X7E – MIX\_MUTE\_A5**

Bit	Function	R/W	Description	Reset
7	A5OUTOFF	R/W	AIN5 data output control on ADATR record signal. 0: output AIN51/AIN52/AIN53/AIN54 record data on ADATR. 1: not output AIN51/AIN52/AIN53/AIN54 record data on ADATR.	1
6	ADATM_I2SOEN	R/W	Define ADATM pin output 2 word data to make standard I2S output. 0:Mixing Data or Playback Input data are only output on ADATM pin by M_RLSWAP register.(default) 1:L/R data on ADATM pin is selected by I2SO_RSEL / I2SO_LSEL registers.	0
5	MIX_MUTE_A5	R/W	MIX_MUTE_A5: Audio input AIN5 mute function control. 0:Normal 1:Muted	1
4-0	ADET_TH5[4:0]	R/W	AIN5 threshold value for audio detection	03h

**MIX RATIO VALUE****0X72 – MIX RATIO VALUE**

Bit	Function	R/W	Description	Reset
7	MRATIOMD*	R/W	Audio Mixing ratio value divider control 0: MIX_RATIO default value 1: MIX_RATIO / 64	0
6-0	Reserved	R		00h

If MRATIOMD=0(default) :

**Mix Ratio Value**

0	0.25 (default) Recommended for most cases.
1	0.31
2	0.38
3	0.44
4	0.50
5	0.63
6	0.75
7	0.88
8	1.00
9	1.25
10	1.50
11	1.75
12	2.00
13	2.25
14	2.50
15	2.75

If MRATIOMD=1, Mixing ratio is MIX\_RATIO<sub>n</sub> / 64.

**0XDD – MIX RATIO VALUE**

Bit	Function	R/W	Description	Reset
7-4	MIX_RATIO2	R/W	Audio input AIN2 ratio value for audio mixing	0
3-0	MIX_RATIO1	R/W	Audio input AIN1 ratio value for audio mixing	0



**0XDE – MIX RATIO VALUE**

Bit	Function	R/W	Description	Reset
7-4	MIX_RATIO4	R/W	Audio input AIN4 ratio value for audio mixing	0
3-0	MIX_RATIO3	R/W	Audio input AIN3 ratio value for audio mixing	0

**0XDF – ANALOG AUDIO OUTPUT GAIN**

Bit	Function	R/W	Description	Reset
7-4	Reserved	R		8h
3-0	MIX_RATIO_P	R/W	Playback audio input ratio value for audio mixing.	0

**0XE0 – MIX OUTPUT SELECTION**

Bit	Function	R/W	Description	Reset
7	VADCKPOL	R/W	Test purpose only.	0
6	AADCKPOL	R/W	1:Analog Audio ADC input clock polarity inverse 0:not inverse.	0
5	ADACCKPOL	R/W	Test purpose only.	0
4-0	MIX_OUTSEL	R/W	Define the final audio output for analog and digital mixing out. 0 Select record audio of channel 1 1 Select record audio of channel 2 2 Select record audio of channel 3 3 Select record audio of channel 4 4 Select record audio of channel 5 5 Select record audio of channel 6 6 Select record audio of channel 7 7 Select record audio of channel 8 8 Select record audio of channel 9 9 Select record audio of channel 10 10(Ah) Select record audio of channel 11 11(Bh) Select record audio of channel 12 12(Ch) Select record audio of channel 13 13(Dh) Select record audio of channel 14 14(Eh) Select record audio of channel 15 15(Fh) Select record audio of channel 16 16(10h) Select playback audio of the first stage chip 17(11h) Select playback audio of the second stage chip 18(12h) Select playback audio of the third stage chip 19(13h) Select playback audio of the last stage chip 20(14h) Select mixed audio (default) 21(15h) Select record audio of channel AIN51 22(16h) Select record audio of channel AIN52 23(17h) Select record audio of channel AIN53 24(18h) Select record audio of channel AIN54 Others no sound.	1Fh

**AUDIO DETECTION PERIOD AND AUDIO DETECTION THRESHOLD****0XE1 – AUDIO DETECTION PERIOD AND AUDIO DETECTION THRESHOLD**

Bit	Function	R/W	Description	Reset
7	AAMPMD	R/W	Define the audio detection method. 0: Detect audio if absolute amplitude is greater than threshold 1: Detect audio if differential amplitude is greater than threshold	1
6-4	ADET_FILT	R/W	Select the filter for audio detection 0: Wide LPF . . . . . . . . . . 7: Narrow LPF	7
3	ADET_TH4[4]*	R/W	MSB bit of AIN4 threshold value for audio detection.	0
2	ADET_TH3[4]*	R/W	MSB bit of AIN3 threshold value for audio detection.	0
1	ADET_TH2[4]*	R/W	MSB bit of AIN2 threshold value for audio detection.	0
0	ADET_TH1[4]*	R/W	MSB bit of AIN1 threshold value for audio detection.	0

\* Note :

ADET\_TH :Define the threshold value for audio detection.

ADET\_TH1: Audio input AIN1.

ADET\_TH2: Audio input AIN2.

ADET\_TH3: Audio input AIN3.

ADET\_TH4: Audio input AIN4.

ADET\_TH5: Audio input AIN5.

0:Low value (default)

. . . . .  
. . . . .

31:High value

**0XE2 – AUDIO DETECTION THRESHOLD**

Bit	Function	R/W	Description	Reset
7-4	ADET_TH2[3:0]	R/W	Bit3-0 of AIN2 threshold value for audio detection.	3h
3-0	ADET_TH1[3:0]	R/W	Bit3-0 of AIN1 threshold value for audio detection.	3h

**0XE3 – AUDIO DETECTION THRESHOLD**

Bit	Function	R/W	Description	Reset
7-4	ADET_TH4[3:0]	R/W	Bit3-0 of AIN4 threshold value for audio detection.	3h
3-0	ADET_TH3[3:0]	R/W	Bit3-0 of AIN3 threshold value for audio detection.	3h

**AUDIO CLOCK INCREMENT****0XF0 – AUDIO CLOCK INCREMENT**

Bit	Function	R/W	Description	Reset
7-0	ACKI[7:0]	R/W	ACKI[7:0], these bits control ACKI Clock Increment in ACKG block. ACKI[21:0]: 09B583h for fs = 8kHz is default.	83h

**0XF1 – AUDIO CLOCK INCREMENT**

Bit	Function	R/W	Description	Reset
7-0	ACKI[15:8]	R/W	ACKI[15:8], these bits control ACKI Clock Increment in ACKG block.	B5h

**0XF2 – AUDIO CLOCK INCREMENT**

Bit	Function	R/W	Description	Reset
7-6	Reserved	R		0h
5-0	ACKI[21:16]	R/W	ACKI[21:16], these bits control ACKI Clock Increment in ACKG block.	09h

**AUDIO CLOCK NUMBER****0XF3 – AUDIO CLOCK NUMBER**

Bit	Function	R/W	Description	Reset
7-0	ACKN[7:0]	R/W	ACKN[7:0], these bits control ACKN Clock Number in ACKG block. ACKN[17:0]: 000100h for Playback Slave-in lock is default.	00h

**0XF4 – AUDIO CLOCK NUMBER**

Bit	Function	R/W	Description	Reset
7-0	ACKN[15:8]	R/W	ACKN[15:8], these bits control ACKN Clock Number in ACKG block.	01h

**0XF5 – AUDIO CLOCK NUMBER**

Bit	Function	R/W	Description	Reset
7-2	Reserved	R		00h
1-0	ACKN[17:16]	R/W	ACKN[17:16], these bits control ACKN Clock Number in ACKG block.	0h

**0XF6 – SERIAL CLOCK DIVIDER**

Bit	Function	R/W	Description	Reset
7-6	Reserved	R		0
5-0	SDIV	R/W	These bits control SDIV Serial Clock Divider in ACKG block.	00h

**0XF7 – LEFT/RIGHT CLOCK DIVIDER**

Bit	Function	R/W	Description	Reset
7-6	Reserved	R		0
5-0	LRDIV	R/W	Reserved.	20h

**0XF8 – AUDIO CLOCK CONTROL**

Bit	Function	R/W	Description	Reset
7	APZ	R/W	These bits control Loop in ACKG block.	1
6-4	APG	R/W	These bits control Loop in ACKG block.	4h
3	Reserved	R		0
2	ACPL	R/W	These bits control Loop closed/open in ACKG block. 0: Loop closed 1 :Loop open( <b>recommended on most application case</b> )	1
1	SRPH	R/W	Reserved.This function is not used in TW2867 chip.	0
0	LRPH	R/W	Reserved.This function is not used in T2866 chip.	0

**OXF9 – VIDEO MISCELLANEOUS FUNCTION CONTROL**

Bit	Function	R/W	Description	Reset
7	LIM16	R/W	0: Output ranges are limited to 2~254 1: Output ranges are limited to 16~235 for Y and 16~239 for CbCr	0
6	PBREFEN	R/W	Audio ACKG Reference(refin) input select 0: ACKG has video VRST refin input selected by VRSTSEL register 1: ACKG has audio ASYNP refin input	1
5	YCBCR422	R/W	Control YCbCr 4:2:2 output mode 0: Normal 4:2:2 output mode 1: Averaging 4:2:2 output mode	0
4	HA656MD	R/W	Control HACTIVE signal output on H-Down Scaling output mode. 0: HACTIVE signal is always HACTIVE register's length. 1: HACTIVE signal is same as DVALID signal in H-Down Scaled video output.	1
3	VBI_FRAM	R/W	Test purpose only.	0
2	CNTL656	R/W	Select invalid data value. 0: 0x80 and 0x10 code will be output as invalid data during active video line. 1: 0x00 code will be output as invalid data during active video line.	0
1	VSCL_SYNC	R/W	Enable the optional ITU-R.656 sync code format. 0: Skip ITU-R BT.656 sync code for non-valid vertical line. 1: Standard ITU-R BT.656 sync code on any vertical line.	0
0	HA_EN	R/W	Control HACTIVE output during vertical blanking period. 0: HACTIVE output is disabled during vertical blanking period. 1: HACTIVE output is enabled during vertical blanking period.	1

**OUTPUT ENABLE CONTROL AND CLOCK OUTPUT CONTROL****0XFA – OUTPUT ENABLE CONTROL AND CLOCK OUTPUT CONTROL**

Bit	Function	R/W	Description	Reset
7	VSCL_ENA	R/W	Enable the vertical scaler for 4x CIF time-multiplexed format with 54MHz. 0: Full size for vertical direction 1: Half size for vertical direction	0
6	OE	R/W	Control the tri-state of output pin 0: Outputs are Tri-state except clock output (CLKPOn, CLKNOOn) pin 1: Outputs are enabled	0
5	CLKNO1_OEB	R/W	Control the tri-state of CLKNO1 pin 0: Output is enabled (default) 1: Output is Tri-state	0
4	CLKPO1_OEB	R/W	Control the tri-state of CLKPO1 pin 0: Output is enabled 1: Output is Tri-state	0
3-2	CLKNO1_MD	R/W	Control the clock frequency of CLKNO1 pin 0: 27MHz clock output 1: 54MHz clock output 2: 108MHz clock output 3: always 0 value	0h
1-0	CLKPO1_MD	R/W	Control the clock frequency of CLKPO1 pin 0: 27MHz clock output 1: 54MHz clock output 2: 108MHz clock output 3: always 0 value	0h



**0X6A – CLOCK OUTPUT CONTROL**

Bit	Function	R/W	Description	Reset
7-6	Reserved	R		0h
5	CLKNO2_OEB	R/W	Control the tri-state of CLKNO2 pin 0: Output is enabled 1: Output is Tri-state	0
4	CLKPO2_OEB	R/W	Control the tri-state of CLKPO2 pin 0: Output is enabled 1: Output is Tri-state	0
3-2	CLKNO2_MD	R/W	Control the clock frequency of CLKNO2 pin 0: 27MHz clock output 1: 54MHz clock output 2: 108MHz clock output 3: always 0 value	0
1-0	CLKPO2_MD	R/W	Control the clock frequency of CLKPO2 pin 0: 27MHz clock output 1: 54MHz clock output 2: 108MHz clock output 3: always 0 value	0

**0X6B – CLOCK OUTPUT CONTROL**

Bit	Function	R/W	Description	Reset
7-6	Reserved	R		0h
5	CLKNO3_OEB	R/W	Control the tri-state of CLKNO3 pin 0: Output is enabled 1: Output is Tri-state	0
4	CLKPO3_OEB	R/W	Control the tri-state of CLKPO3 pin 0: Output is enabled 1: Output is Tri-state	0
3-2	CLKNO3_MD	R/W	Control the clock frequency of CLKNO3 pin 0: 27MHz clock output 1: 54MHz clock output 2: 108MHz clock output 3: always 0 value	0
1-0	CLKPO3_MD	R/W	Control the clock frequency of CLKPO3 pin 0: 27MHz clock output 1: 54MHz clock output 2: 108MHz clock output 3: always 0 value	0

**0X6C – OUTPUT ENABLE CONTROL AND CLOCK OUTPUT CONTROL**

Bit	Function	R/W	Description	Reset
7-6	Reserved	R		0h
5	CLKNO4_OEB	R/W	Control the tri-state of CLKNO4 pin 0: Output is enabled 1: Output is Tri-state	0
4	CLKPO4_OEB	R/W	Control the tri-state of CLKPO4 pin 0: Output is enabled 1: Output is Tri-state	0
3-2	CLKNO4_MD	R/W	Control the clock frequency of CLKNO4 pin 0: 27MHz clock output 1: 54MHz clock output 2: 108MHz clock output 3: always 0 value	0
1-0	CLKPO4_MD	R/W	Control the clock frequency of CLKPO4 pin 0: 27MHz clock output 1: 54MHz clock output 2: 108MHz clock output 3: always 0 value	0

**CLOCK POLARITY CONTROL****0XFB – CLOCK POLARITY CONTROL**

Bit	Function	R/W	Description	Reset
7	CLKNO1_POL	R/W	Polarity inverse control on output CLKNO1 signal just before CLKNO1 pin. 0: Not inverted. 1: Polarity inverse. Good for 27MHz/54MHz clock output.	0
6	CLKPO1_POL	R/W	Polarity inverse control on output CLKPO1 signal just before CLKPO1 pin. 0: Not inverted. Good for 27MHz/54MHz clock output. 1: Polarity inverse.	0
5	IRQENA	R/W	Enable/Disable the interrupt request through the IRQ pin. 0: Disable 1: Enable	0
4	IRQPOL	R/W	Select the polarity of interrupt request through the IRQ pin. 0: Falling edge requests the interrupt and keeps its state until cleared 1: Rising edge requests the interrupt and keeps its state until cleared	0

Bit	Function	R/W	Description	Reset
3-2	ADET_MODE	R/W	<p>Define the polarity of state register and interrupt request for audio detection.</p> <p>0: No interrupt request by the audio detection</p> <p>1: Make the interrupt request rising only when the audio signal comes in</p> <p>2: Make the interrupt request falling only when the audio signal goes out</p> <p>3: Make the interrupt request rising and falling when the audio comes in and goes out</p>	3
1-0	VDET_MODE	R/W	<p>Define the polarity of state register and interrupt request for video detection.</p> <p>0: No interrupt request by the video detection</p> <p>1: Make the interrupt request rising only when the video signal comes in</p> <p>2: Make the interrupt request falling only when the video signal goes out</p> <p>3: Make the interrupt request rising and falling when the video comes in and goes out</p>	3

#### 0X6D – CLOCK POLARITY CONTROL

Bit	Function	R/W	Description	Reset
7	CLKNO4_POL	R/W	<p>Polarity inverse control on output CLKNO1 signal just before CLKNO1 pin.</p> <p>0: Not inversed.</p> <p>1: Polarity inverse. Good for 27MHz/54MHz clock output.</p>	0
6	CLKPO4_POL	R/W	<p>Polarity inverse control on output CLKPO1 signal just before CLKPO1 pin.</p> <p>0: Not inversed. Good for 27MHz/54MHz clock output.</p> <p>1: Polarity inverse.</p>	0
5	CLKNO3_POL	R/W	<p>Polarity inverse control on output CLKNO3 signal just before CLKNO3 pin.</p> <p>0: Not inversed.</p> <p>1: Polarity inverse. Good for 27MHz/54MHz clock output.</p>	0
4	CLKPO3_POL	R/W	<p>Polarity inverse control on output CLKPO3 signal just before CLKPO3 pin.</p> <p>0: Not inversed. Good for 27MHz/54MHz clock output.</p> <p>1: Polarity inverse.</p>	0
3	CLKNO2_POL	R/W	<p>Polarity inverse control on output CLKNO2 signal just before CLKNO2 pin.</p> <p>0: Not inversed.</p>	0

Bit	Function	R/W	Description	Reset
			1: Polarity inverse. Good for 27MHz/54MHz clock output.	
2	CLKPO2_POL	R/W	Polarity inverse control on output CLKPO2 signal just before CLKPO2 pin. 0: Not inversed. Good for 27MHz/54MHz clock output. 1: Polarity inverse.	0
1-0	Reserved	R		0h

### ENABLE VIDEO AND AUDIO DETECTION

#### 0XFC – ENABLE VIDEO AND AUDIO DETECTION

Bit	Function	R/W	Description	Reset
7-0	AVDET_ENA	R/W	Enable state register updating and interrupt request of video and audio detection for each input. [0] : Video input VIN1. [1] : Video input VIN2. [2] : Video input VIN3. [3] : Video input VIN4. [4] : Audio input AIN1. [5] : Audio input AIN2. [6] : Audio input AIN3. [7] : Audio input AIN4.  0: Disable state register updating and interrupt request 1: Enable state register updating and interrupt request	FFh

#### 0X73 – ENABLE VIDEO AND AUDIO DETECTION

Bit	Function	R/W	Description	Reset
7	Reserved	R	Reserved	0
6-4	Reserved	R	Reserved	0
3-1	Reserved	R	Reserved	0h
0	A5DET_ENA	R/W	Enable state register updating and interrupt request of audio AIN5 detection for each input. 0: Disable state register updating and interrupt request 1: Enable state register updating and interrupt request	1

**STATUS OF VIDEO AND AUDIO DETECTION****0XFD – STATUS OF VIDEO AND AUDIO DETECTION**

Bit	Function	R/W	Description	Reset
7-0	AVDET_STATE	R/W	<p>State of Video and Audio detection.            These bits are activated according VDET_MODE and ADET_MODE.</p> <p>[0] : Video input VIN1.            [1] : Video input VIN2.            [2] : Video input VIN3.            [3] : Video input VIN4.            [4] : Audio input AIN1.            [5] : Audio input AIN2.            [6] : Audio input AIN3.            [7] : Audio input AIN4.</p> <p>0      Inactivated            1      Activated</p>	00h

**0X74 – STATUS OF VIDEO AND AUDIO DETECTION**

Bit	Function	R/W	Description	Reset
7-1	Reserved	R		00h
0	A5DET_STATE	R/W	<p>State of Audio AIN5 detection.            This bit is activated according ADET_MODE.</p> <p>0      Inactivated            1      Activated</p>	0

**DEVICE ID AND REVISION ID FLAG****0XFE – DEVICE ID AND REVISION ID FLAG**

Bit	Function	R/W	Description	Reset
7-6	DEV_ID[6:5]	R	<p>Bit6-5 of Device ID. Together with 0xFF[7:3] indicate TW2867 product ID code.            DEV_ID=7'h19</p>	0
5-3	Reserved	R		0
2-0	TEST	R/W	Test purpose only. This must be 0 in normal mode.	0

**0XFF – DEVICE ID AND REVISION ID FLAG**

Bit	Function	R/W	Description	Reset
7-3	DEV_ID[4:0]	R	Bit4-0 of Device ID.	19h
2:0	REV_ID	R	The revision number.	0h

**0X60 – CLOCK PLL CONTROL**

Bit	Function	R/W	Description	Reset
7	Reserved	R		0
6	PLL_PD	R/W	Clock PLL Power down control. 0: Clock PLL normal mode. 1: Clock PLL power down mode.	0
5	PLL_IREF	R/W	Clock PLL Current bias reference. 0: reference 0. 1: reference 1.	0
4	SEL_X24	R/W	Clock PLL output mode 0: 2x XTI input frequency.54MHz clock input mode. 1: 4x XTI input frequency.27MHz clock input mode.	0
3-2	LP_X4	R/W	Loop resistor for PLL. 0: 80.5k0hm. 1: 35.5k0hm. 2: 25.5k0hm. 3: 20.5k0hm.	1h
1-0	CP_X4	R/W	Charge-pump current for PLL. 0: 1μA. 1: 5μA. 2: 10μA. 3: 15μA.	1h

**0X61 – 108MHZ CLOCK SELECT**

Bit	Function	R/W	Description	Reset
7-5	Reserved	R	Reserved	0h
4	DECOSC	R/W	Video Decoder system clock select. 0: Analog Clock PLL output 108MHz/4 clock is selected. 1: system clock generated by XTI input crystal clock. If 108MHz is connected, system clock is XTI / 4 If 54MHz is connected, system clock is XTI / 2. If 27MHz is connected, system clock is XTI.	0
3-2	CKOUTSEL	R/W	Analog Clock PLL output 108MHz select. 0: 108MHz Clock output - in phase. 1: 108MHz Clock output - 90 degree phase shift. 2: 108MHz Clock output - 180 degree phase shift. 3: 108MHz Clock output - 270 degree phase shift.	0h
1-0	XTIMD	R/W	XTI pin input clock process control. If XTIMD=0/1/2, Analog Clock PLL Output clock is not used for internal logic process. 0: 27MHz XTI input clock is used for all clock source. 1: 54MHz XTI input clock is used for all clock source. 2: 108MHz XTI input clock is used for all clock source. 3: Analog Clock PLL 108MHz output is used for all system clock source.	3h

**0X65 – VIDEO BUS TRI-STATE CONTROL**

Bit	Function	R/W	Description	Reset
7-5	Reserved	R		0h
4	VD4ORD	R/W	Select the video channel output order on 4xD1 output mode. 0:Ch1->Ch2->Ch3->Ch4->Ch1->Ch2->Ch3->....(increase). 1:Ch4->Ch3->Ch2->Ch1->Ch4->Ch3->Ch2->....(decrease)	0
3	VD40EB	R/W	VD4[7:0] output tri-state control. 1: tri-state output VD4[7:0]. 0: normal output VD4[7:0].	0
2	VD30EB	R/W	VD3[7:0] output tri-state control. 1: tri-state output VD3[7:0]. 0: normal output VD3[7:0].	0
1	VD20EB	R/W	VD2[7:0] output tri-state control. 1: tri-state output VD2[7:0]. 0: normal output VD2[7:0].	0
0	VD10EB	R/W	VD1[7:0] output tri-state control. 1: tri-state output VD1[7:0]. 0: normal output VD1[7:0].	0

**0X66 – OPTIONAL CLOCK OUTPUT**

Bit	Function	R/W	Description	Reset
7	VD4_27C	R/W	0: normal 27MHz output if CLKP04_MD/CLKNO4_MD select 27MHz output. 1: Optional type 27MHz clock output on CLKP04/CLKNO4 pins.	0
6	VD3_27C	R/W	0: normal 27MHz output if CLKP03_MD/CLKNO3_MD select 27MHz output. 1: Optional type 27MHz clock output on CLKP03/CLKNO3 pins.	0
5	VD2_27C	R/W	0: normal 27MHz output if CLKP02_MD/CLKNO2_MD select 27MHz output. 1: Optional type 27MHz clock output on CLKP02/CLKNO2 pins.	0
4	VD1_27C	R/W	0: normal 27MHz output if CLKP01_MD/CLKNO1_MD select 27MHz output. 1: Optional type 27MHz clock output on CLKP01/CLKNO1 pins.	0
3	CK4_13	R/W	0: normal clock output on CLKP04/CLKNO4 pins by CLKP04_MD/CLKNO4_MD. 1: Optional 13.5MHz clock output on CLKP04/CLKNO4 pins.	0
2	CK3_13	R/W	0: normal clock output on CLKP03/CLKNO3 pins by CLKP03_MD/CLKNO3_MD. 1: Optional 13.5MHz clock output on CLKP03/CLKNO3 pins.	0
1	CK2_13	R/W	0: normal clock output on CLKP02/CLKNO2 pins by CLKP02_MD/CLKNO2_MD. 1: Optional 13.5MHz clock output on CLKP02/CLKNO2 pins.	0
0	CK1_13	R/W	0: normal clock output on CLKP01/CLKNO1 pins by CLKP01_MD/CLKNO1_MD. 1: Optional 13.5MHz clock output on CLKP01/CLKNO1 pins.	0



**0X6E – RESERVED**

Bit	Function	R/W	Description	Reset
7	Reserved	R		0
6-4	Reserved	R		2h
3	Reserved	R		0
2-0	Reserved	R		1h

**0X6F – RESERVED**

Bit	Function	R/W	Description	Reset
7	Reserved	R		0
6-4	Reserved	R		4h
3	Reserved	R		0
2-0	Reserved	R		3h

**0X70 – AUDIO CLOCK CONTROL**

Bit	Function	R/W	Description	Reset
7	Reserved	R		0
6	S2I_8BIT	R/W	0: ACLKP/ASYNP/ADATP pin input is 16bit control. 1: ACLKP/ASYNP/ADATP pin input is 8bit control.	0
5	ACLKRPOL	R/W	ACLKR input signal polarity inverse. 0: not inverse. 1: inverse.	0
4	ACLKPPOL	R/W	ACLKP input signal polarity inverse. 0: not inverse. 1: inverse.	0
3	AFAUTO	R/W	ACKI[21:0] control automatic set up with AFMD registers. This mode is only effective when ACLKRMAS=1. 0: ACKI[21:0] registers set up ACKI control. 1: ACKI control is automatically set up by AFMD register values.	0
2-0	AFMD	R/W	AFAUTO control mode. 0: 8kHz setting(default). 1: 16kHz setting. 2: 32kHz setting. 3: 44.1kHz setting. 4: 48kHz setting.	0h

**0X71 – DIGITAL AUDIO INPUT CONTROL**

Bit	Function	R/W	Description	Reset
7	I2S8MODE	R/W	8bit I2S Record output mode. 0: L/R half length separated output. 1: One continuous packed output equal to DSP output format.	0
6	MASCKMD	R/W	Audio Clock Master ACLKR output wave format. 0: High period is one 27MHz clock period. 1: Almost duty 50-50% clock output on ACLKR pin.If this mode is selected, two times bigger number value need to be set up ACKI registers. If AFAUTO=1, ACKI control is automatically set up even if MASCKMD=1. SDIV=00h is used with this function normally.	0
5	PBINSWAP	R/W	Playback ACLKP/ASYNP/ADATP input data MSB-LSB swapping. 0: Not swapping. 1: Swapping.	0
4	ASYNRDLY	R/W	ASYNR input signal delay. 0: No delay. 1: Add one 27MHz period delay in ASYNR signal input.	0
3	ASYNPDLY	R/W	ASYNP input signal delay. 0: No delay. 1: Add one 27MHz period delay in ASYNP signal input.	0
2	ADATPDLY	R/W	ADATP input data delay by one ACLKP clock. 0: No delay. This is for I2S type 1T delay input interface. 1: Add 1 ACLKP clock delay in ADATP input data. This is for left-justified type 0T delay input interface.	0
1-0	INLAWMD	R/W	Select u-Law/A-Law/PCM/SB data input format on ADATP pin. 0:PCM input 1:SB(Signed MSB bit in PCM data is inverted) input 2:u-Law input 3:A-Law input	0h

**ADATM I2S OUTPUT SELECT****0X7B – ADATM I2S OUTPUT SELECT**

Bit	Function	R/W	Description	Reset
7-5	Reserved	R		0h
4-0	I2SO_RSEL	R/W	Select R-channel output data on ADATM pin when ADATM_I2SOEN=1. (Note 1)	15h

## NOTE:

- Both I2SO\_RSEL and I2SO\_LSEL select output data by following order.
 

0	Select record audio of channel 1(AIN1)
1	Select record audio of channel 2(AIN2)
2	Select record audio of channel 3(AIN3)
3	Select record audio of channel 4(AIN4)
4	Select record audio of channel 5(AIN5)
5	Select record audio of channel 6(AIN6)
6	Select record audio of channel 7(AIN7)
7	Select record audio of channel 8(AIN8)
8	Select record audio of channel 9(AIN9)
9	Select record audio of channel 10(AIN10)
10(Ah)	Select record audio of channel 11(AIN11)
11(Bh)	Select record audio of channel 12(AIN12)
12(Ch)	Select record audio of channel 13(AIN13)
13(Dh)	Select record audio of channel 14(AIN14)
14(Eh)	Select record audio of channel 15(AIN15)
15(Fh)	Select record audio of channel 16(AIN16)
16(10h)	Select playback audio of the first stage chip(PB1)
17(11h)	Select playback audio of the second stage chip(PB2)
18(12h)	Select playback audio of the third stage chip(PB3)
19(13h)	Select playback audio of the last stage chip(PB4)
20(14h)	Select mixed audio.
21(15h)	Select record audio of channel 51(AIN51)(default)
22(16h)	Select record audio of channel 52(AIN52)
23(17h)	Select record audio of channel 53(AIN53)
24(18h)	Select record audio of channel 54(AIN54)
Others	no audio output.

**0X7C – ADATM I2S OUTPUT SELECT**

Bit	Function	R/W	Description	Reset
7-5	Reserved	R		0h
4-0	I2SO_LSEL	R/W	Select L-channel output data on ADATM pin when ADATM_I2SOEN=1. (Note 1)	15h

NOTE:

1. Please read 0x7B Note for detail description.

**AIN5 RECORD OUTPUT****0X7D – AIN5 RECORD OUTPUT**

Bit	Function	R/W	Description	Reset
7-6	I2SRECSEL54	R/W	Select output data in bellow dat54 position. 0: AIN51, 1:AIN52, 2:AIN53, 3:AIN54.	3h
5-4	I2SRECSEL53	R/W	Select output data in bellow dat53 position. 0: AIN51, 1:AIN52, 2:AIN53, 3:AIN54.	2h
3-2	I2SRECSEL52	R/W	Select output data in bellow dat52 position. 0: AIN51, 1:AIN52, 2:AIN53, 3:AIN54.	1h
1-0	I2SRECSEL51	R/W	Select output data in bellow dat51 position. 0: AIN51, 1:AIN52, 2:AIN53, 3:AIN54.	0

NOTE:

If I2S mode(RM\_SYNC=0),

L data : &lt;dat0&gt;&lt;dat1&gt;&lt;dat2&gt;&lt;dat3&gt;&lt;dat4&gt;&lt;dat5&gt;&lt;dat6&gt;&lt;dat7&gt;&lt;dat51&gt;&lt;dat52&gt;

R data : &lt;dat8&gt;&lt;dat9&gt;&lt;datA&gt;&lt;datB&gt;&lt;datC&gt;&lt;datD&gt;&lt;datE&gt;&lt;datF&gt;&lt;dat53&gt;&lt;dat54&gt;

If DSP mode(RM\_SYNC=1),all data are continuous.

&lt;dat0&gt;&lt;dat1&gt;&lt;dat2&gt;&lt;dat3&gt;&lt;dat4&gt;&lt;dat5&gt;&lt;dat6&gt;&lt;dat7&gt;&lt;dat8&gt;&lt;dat9&gt;&lt;datA&gt;&lt;datB&gt;&lt;datC&gt;

&lt;datD&gt;&lt;datE&gt;&lt;datF&gt;&lt;dat51&gt;&lt;dat52&gt;&lt;dat53&gt;&lt;dat54&gt;

All other datN(N=0,1,2,,,F) are selected by R\_SEQ\_N registers

**0X89 – AUDIO FS MODE CONTROL**

Bit	Function	R/W	Description	Reset
7-6	Reserved	R		0
5	ACLKR128	R/W	ACLKR clock output mode for special 16x8bit(total 128bit) data interface. 0: ACLKR output is normal. 1: the number of ACLKR clock per fs is 128.This function is effective with RM_8BIT=1 8bit mode(special purpose).	0
4	ACLKR64	R/W	ACLKR clock output mode for special 4 word output interface.ACLKRMASER=1 mode only. 0: ACLKR output is normal 1: the number of ACLKR clock per fs is 64.	0
3	AFS384	R/W	Special Audio fs Sampling mode. 0: Audio fs Sampling mode is normal 256xfS if AIN5=0. 1: Audio fs Sampling mode is 384xfS mode. In this mode,AIMANU=1,A1NUM=0,A2NUM=1,A3NUM=2,A4NUM=3,A5NUM=4 are needed to be set up.	0
2	AIN5MD	R/W	Audio Input process mode. 0: AIN1/AIN2/AIN3/AIN4 4 Audio input only process. This mode is 256xfS if AFS384=0.In this mode,AIN5 input is not processed. 1: AIN1/AIN2/AIN3/AIN4/AIN5 5 Audio input process. This mode is 320xfS Mode if AFS384=0.	0
1-0	Reserved	R		1h

**0XB2 – VDLOSS OUTPUT**

Bit	Function	R/W	Description	Reset
7-1	Reserved	R		00h
0	VDLOSSOE	R/W	Video Decoder VDLOSS1/VDLOSS2/VDLOSS3/VDLOSS4 signals output MPP1/ MPP2/ MPP3/ MPP4 pins. 0: not output VDLOSS1/VDLOSS2/VDLOSS3/VDLOSS4 on MPP1/MPP2/MPP3/MPP4 pins(default). 1: Ch1 Video Decoder VDLOSS1 output on MPP1 pin. Ch2 Video Decoder VDLOSS2 output on MPP2 pin. Ch3 Video Decoder VDLOSS3 output on MPP3 pin. Ch4 Video Decoder VDLOSS4 output on MPP4 pin.	0

**0X50 – AUDIO DAC GAIN CONTROL**

Bit	Function	R/W	Description	Reset
7	ADACCLK_INV	R/W	Clock inversion control in Audio DAC module. 0: not inversed. 1: inversed.	0
6-4	DAC_IB_DAC	R/W	Audio DAC bias fine control 000->10 $\mu$ A 001->12 $\mu$ A 010->6 $\mu$ A 011->8 $\mu$ A 100->18 $\mu$ A 101->20 $\mu$ A 110->14 $\mu$ A 111->16 $\mu$ A Note: Idac=10 $\mu$ A + Idac_ib_dac + i_dac_ib_adc Default: Idac=60 $\mu$ A. 80 $\mu$ A to get full scale	0
3	Reserved	R		0
2-0	DAC_IB_ADC	R/W	Audio DAC bias coarse control 000->40 $\mu$ A 001->48 $\mu$ A 010->24 $\mu$ A 011->32 $\mu$ A 100->72 $\mu$ A 101->80 $\mu$ A 110->56 $\mu$ A 111->64 $\mu$ A Note: Idac=10 $\mu$ A + Idac_ib_dac + i_dac_ib_adc Default: Idac=60 $\mu$ A. 80 $\mu$ A to get full scale	0

**0X51 – AUDIO DAC LOW PASS BIAS CONTROL**

Bit	Function	R/W	Description	Reset
7-0	DAC_LPFBIAS	R/W	<p>Audio DAC Reference LPF control</p> <p>DAC_LPFBIAS&lt;7:5&gt;=000 -&gt; 2μA</p> <p>DAC_LPFBIAS&lt;7:5&gt;=001 -&gt; 4μA</p> <p>DAC_LPFBIAS&lt;7:5&gt;=010 -&gt; 6μA</p> <p>DAC_LPFBIAS&lt;7:5&gt;=011 -&gt; 8μA</p> <p>DAC_LPFBIAS&lt;7:5&gt;=100 -&gt; 10μA</p> <p>DAC_LPFBIAS&lt;7:5&gt;=101 -&gt; 12μA</p> <p>DAC_LPFBIAS&lt;7:5&gt;=110 -&gt; 14μA</p> <p>DAC_LPFBIAS&lt;7:5&gt;=111 -&gt; 16μA</p> <p>DAC_LPFBIAS&lt;4&gt;=0 -&gt; disable the onchip reference bias</p> <p>DAC_LPFBIAS&lt;4&gt;=1 -&gt; enable the onchip reference bias</p> <p>DAC_LPFBIAS&lt;3:0&gt;=0000 -&gt; 31.25nA</p> <p>DAC_LPFBIAS&lt;3:0&gt;=0001 -&gt; 62.5nA</p> <p>... ..</p> <p>DAC_LPFBIAS&lt;3:0&gt;=1000 -&gt; 125nA (default)</p> <p>... ..</p> <p>DAC_LPFBIAS&lt;3:0&gt;=1111 -&gt; 343.75nA</p>	00

**0X52 – AUDIO DAC LPF AND BIAS CONTROL**

Bit	Function	R/W	Description	Reset
7	Reserved	R		0
6-4	LPFSEL	R/W	<p>Audio DAC LPF corner frequency selection</p> <p>000-&gt;15.6kHz</p> <p>001-&gt;7.8kHz</p> <p>010-&gt;Don't use</p> <p>011-&gt;3.9kHz</p> <p>100-&gt;Don't use</p> <p>101-&gt;Don't use</p> <p>110-&gt;Don't use</p> <p>111-&gt;2.6Khz</p>	0
3	BIAS_SEL	RW	<p>Audio DAC Bias selection.</p> <p>0-&gt; AVDD33 as the reference voltage.</p> <p>1-&gt; select bandgap voltage as the reference</p>	0
2-0	DAC_IB_OTA	R/W	<p>Audio DAC OTA bias control.</p> <p>000-&gt;10<math>\mu</math>A</p> <p>001-&gt;12<math>\mu</math>A</p> <p>010-&gt;6<math>\mu</math>A</p> <p>011-&gt;8<math>\mu</math>A</p> <p>100-&gt;18<math>\mu</math>A</p> <p>101-&gt;20<math>\mu</math>A</p> <p>110-&gt;14<math>\mu</math>A</p> <p>111-&gt;16<math>\mu</math>A</p>	0



**0X53 – AUDIO DAC TEST CONTROL**

Bit	Function	R/W	Description	Reset
7	Reserved	R		0
6-4	TAADCO	R/W	<p>Audio ADC Test Purpose only.</p> <p>When TEST(regFE[2:0]) register is set to 7h,</p> <p>ADATM.MPP4,VD4[7:0]} pins have audio ADC data output by following selection.</p> <p>0 : AIN1 Audio ADC data output</p> <p>1 : AIN2 Audio ADC data output</p> <p>2 : AIN3 Audio ADC data output</p> <p>3 : AIN4 Audio ADC data output</p> <p>4 : AIN5 Audio ADC data output</p>	0
3	TVSENSE	RW	<p>AVDS Test purpose only.0 should be set up.</p> <p>0:VD4[7:0] pin are normal function output.</p> <p>1:VD4[7:0] pin output have followings.</p> <p>VD4[7] : VSENSE4B</p> <p>VD4[6] : VSENSE3B</p> <p>VD4[5] : VSENSE2B</p> <p>VD4[4] : VSENSE1B</p> <p>VD4[3] : VSENSE4A</p> <p>VD4[2] : VSENSE3A</p> <p>VD4[1] : VSENSE2A</p> <p>VD4[0] : VSENSE1A</p>	0
2-0	ADACTEST	R/W	<p>Audio DAC test control</p> <p>000-&gt;normal operation</p> <p>001-&gt;ibias places to the dac_out (Don't use)</p> <p>010-&gt;din_0 is places to the dac_out (Don't use)</p> <p>011-&gt;both ibais and din_o are placed at the dac_out (Don't use)</p> <p>100-&gt;disable output driver. Dac_out floating</p> <p>101-&gt; disable output driver, ibais places to dac_out</p> <p>110-&gt; disable output driver, din_0 places to dac_out</p> <p>111-&gt;don't use</p>	0

**0X54 – AUDIO ADC CONTROL**

Bit	Function	R/W	Description	Reset
7-6	Reserved	R		0
5	DOUT_RST	R/W	Audio ADC digital output reset for all channel. This bit must be set up to 0 again after 1 value is set up.	0
4	DIV_RST	R/W	Audio ADC divider reset. This bit must be set up to 0 again after 1 value is set up.	0
3	ACALEN	RW	Audio ADC Calibration control. This bit must be set up to 0 again after 1 value is set up.	0
2-0	ASAVE	R/W	Audio ADC power save	7

**0X58 – AVDS STATUS(TEST PURPOSE ONLY)**

Bit	Function	R/W	Description	Reset
7	VSENSE4B	R	VIN4B AVDS VSENSE signal.	X
6	VSENSE3B	R	VIN3B AVDS VSENSE signal.	X
5	VSENSE2B	R	VIN2B AVDS VSENSE signal.	X
4	VSENSE1B	R	VIN1B AVDS VSENSE signal.	X
3	VSENSE4A	R	VIN4A AVDS VSENSE signal.	X
2	VSENSE3B	R	VIN3A AVDS VSENSE signal.	X
1	VSENSE2B	R	VIN2A AVDS VSENSE signal.	X
0	VSENSE1B	R	VIN1A AVDS VSENSE signal.	X

**0X59 – AVDS POWER CONTROL(TEST PURPOSE ONLY)**

Bit	Function	R/W	Description	Reset
7	PDBV4B	R/W	0: VIN4B AVDS power down. 1: VIN4B AVDS normal operation.	0
6	PDBV3B	R/W	0: VIN3B AVDS power down. 1: VIN3B AVDS normal operation.	0
5	PDBV2B	R/W	0: VIN2B AVDS power down. 1: VIN2B AVDS normal operation.	0
4	PDBV1B	R/W	0: VIN1B AVDS power down. 1: VIN1B AVDS normal operation.	0
3	PDBV4A	R/W	0: VIN4A AVDS power down. 1: VIN4A AVDS normal operation.	0
2	PDBV3A	R/W	0: VIN3A AVDS power down. 1: VIN3A AVDS normal operation.	0
1	PDBV2A	R/W	0: VIN2A AVDS power down. 1: VIN2A AVDS normal operation.	0
0	PDBV1A	R/W	0: VIN1A AVDS power down. 1: VIN1A AVDS normal operation.	0

**0X5A – VSAVE**

Bit	Function	R/W	Description	Reset
7	AVDSMD	R/W	AVDS module PDB input select. (Test purpose only). 0: PDBV4B input = PDBV4B register. PDBV3B input = PDBV3B register. PDBV2B input = PDBV2B register. PDBV1B input = PDBV1B register. PDBV4A input = PDBV4A register. PDBV3A input = PDBV3A register. PDBV2A input = PDBV2A register. PDBV1A input = PDBV1A register. 1: PDBV4B input = inversed VIN4 register. PDBV3B input = inversed VIN3 register. PDBV2B input = inversed VIN2 register. PDBV1B input = inversed VIN1 register. PDBV4A input = VIN4 register. PDBV3A input = VIN3 register. PDBV2A input = VIN2 register. PDBV1A input = VIN1 register.	0
6	VREF50M_AVDS	R/W	AVDS Vref selection(Test purpose only). 0->100mV, 1->50mV	0
5-4	BIAS_AVDS	R/W	AVDS BIAS selection(Test purpose only). 00->1.0uA 01->2.0uA 10->8.0uA 11->8.0uA	0

Bit	Function	R/W	Description	Reset
3	PD_BIAS	R/W	Video ADC PD_BIAS.	0
2-0	VSAVE	R/W	Video ADC power save.	7

**0X5B- VIDEO OUTPUT PIN DRIVE**

Bit	Function	R/W	Description	Reset
7	VD4_DS	R/W	VD4[7:0] pin drive. 0: Low-drive, 1: High-drive	0
6	VD3_DS	R/W	VD3[7:0] pin drive. 0: Low-drive, 1: High-drive	0
5	VD2_DS	R/W	VD2[7:0] pin drive. 0: Low-drive, 1: High-drive	0
4	VD1_DS	R/W	VD1[7:0] pin drive. 0: Low-drive, 1: High-drive	0
3	CK4_DS	R/W	CLKP04/CLKNO4 pin drive. 0: Low-drive, 1: High-drive	0
2	CK3_DS	R/W	CLKP03/CLKNO3 pin drive. 0: Low-drive, 1: High-drive	0
1	CK2_DS	R/W	CLKP02/CLKNO2 pin drive. 0: Low-drive, 1: High-drive	0
0	CK1_DS	R/W	CLKP01/CLKNO1 pin drive. 0: Low-drive, 1: High-drive	0

**0X5C- VIDEO OUTPUT PIN DRIVE**

Bit	Function	R/W	Description	Reset
7	Reserved	R		0
5	BGCTL	R/W	0: Reg96[7:0] control all CH1/CH2/CH3/CH4 video. 1: Reg96[7:0] control only CH1 video. Reg5D[7:0] control only CH2 video. Reg5E[7:0] control only CH3 video. Reg5F[7:0] control only CH4 video.	0
4	VSWEN	R/W	0: Video Input VIN1A/VIN1B, VIN2A/VIN2B, VIN3A/VIN3B, VIN4A/VIN4B are selected by register VIN1/VIN2/VIN3/VIN4. 1: One Video input time of either VINnA or VINnB changes automatically by VSWNUM setting.	0
3-0	VSWNUM	R/W	One Video input time is (VSWNUM+1) frame time in VIN1A/VIN1B video when VSWEN=1. 0: 1 frame time in VIN1A/VIN1B video. 1: 2 frame time in VIN1A/VIN1B video. 2: 3 frame time in VIN1A/VIN1B video. . . . F: 16 frame time in VIN1A/VIN1B video.	1

**0X5D – CH2 MISCELLANEOUS CONTROL II ON BGCTL=1**

Bit	Function	R/W	Description	Reset
7	NKILL_2	R/W	1 = Enable noisy signal color killer function in NTSC mode. 0 = Disabled.	1
6	PKILL_2	R/W	1 = Enable automatic noisy color killer function in PAL mode. 0 = Disabled.	1
5	SKILL_2	R/W	1 = Enable automatic noisy color killer function in SECAM mode. 0 = Disabled.	1
4	CBAL_2	R/W	0 = Normal output 1 = special output mode.	0
3	FCS_2	R/W	1 = Force decoder output value determined by CCS. 0 = Disabled.	0
2	LCS_2	R/W	1 = Enable pre-determined output value indicated by CCS when video loss is detected. 0 = Disabled.	0
1	CCS_2	R/W	When FCS is set high or video loss condition is detected when LCS is set high, one of two colors display can be selected. 1 = Blue color. 0 = Black.	0
0	BST_2	R/W	1 = Enable blue stretch. 0 = Disabled.	0

**0X5E – CH3 MISCELLANEOUS CONTROL II ON BGCTL=1**

Bit	Function	R/W	Description	Reset
7	NKILL_3	R/W	1 = Enable noisy signal color killer function in NTSC mode. 0 = Disabled.	1
6	PKILL_3	R/W	1 = Enable automatic noisy color killer function in PAL mode. 0 = Disabled.	1
5	SKILL_3	R/W	1 = Enable automatic noisy color killer function in SECAM mode. 0 = Disabled.	1
4	CBAL_3	R/W	0 = Normal output 1 = special output mode.	0
3	FCS_3	R/W	1 = Force decoder output value determined by CCS. 0 = Disabled.	0
2	LCS_3	R/W	1 = Enable pre-determined output value indicated by CCS when video loss is detected. 0 = Disabled.	0
1	CCS_3	R/W	When FCS is set high or video loss condition is detected when LCS is set high, one of two colors display can be selected.	0

Bit	Function	R/W	Description	Reset
			1 = Blue color. 0 = Black.	
0	BST_3	R/W	1 = Enable blue stretch. 0 = Disabled.	0

**0X5F – CH4 MISCELLANEOUS CONTROL II ON BGCTL=1**

Bit	Function	R/W	Description	Reset
7	NKILL_4	R/W	1 = Enable noisy signal color killer function in NTSC mode. 0 = Disabled.	1
6	PKILL_4	R/W	1 = Enable automatic noisy color killer function in PAL mode. 0 = Disabled.	1
5	SKILL_4	R/W	1 = Enable automatic noisy color killer function in SECAM mode. 0 = Disabled.	1
4	CBAL_4	R/W	0 = Normal output 1 = special output mode.	0
3	FCS_4	R/W	1 = Force decoder output value determined by CCS. 0 = Disabled.	0
2	LCS_4	R/W	1 = Enable pre-determined output value indicated by CCS when video loss is detected. 0 = Disabled.	0
1	CCS_4	R/W	When FCS is set high or video loss condition is detected when LCS is set high, one of two colors display can be selected. 1 = Blue color. 0 = Black.	0
0	BST_4	R/W	1 = Enable blue stretch. 0 = Disabled.	0

## Electrical Information

### Absolute Maximum Ratings

PARAMETER	SYMBOL	MIN	TYP	MAX	UNITS
VDDV (Measured to VSSV)	VDD <sub>VM</sub>	-0.5		4.5	V
VDDVDA (Measured to VSSVDA)	VDD <sub>VDAM</sub>	-0.5		4.5	V
VDDAPLL (Measured to VSSAPLL)	VDD <sub>APLLM</sub>	-0.5		4.5	V
VDDA (Measured to VSSA)	VDD <sub>AM</sub>	-0.5		4.5	V
VDDI (Measured to VSS)	VDD <sub>IM</sub>	-0.5		2.3	V
VDDO (Measured to VSS)	VDD <sub>OM</sub>	-0.5		4.5	V
Digital Input/Output Voltage		-0.5		4.5	V
Analog Input Voltage		-0.5		3.3	V
Storage Temperature	T <sub>S</sub>	-65		150	°C
Junction Temperature	T <sub>J</sub>	0		125	°C
Reflow Soldering (10-30 Seconds)	T <sub>PEAK</sub>			255-260	°C

CAUTION: Do not operate at or near the maximum ratings listed for extended periods of time. Exposure to such conditions may adversely impact product reliability and result in failures not covered by warranty.

### Recommended Operating Conditions

PARAMETER	SYMBOL	MIN	TYP	MAX	UNITS
VDDV (Measured to VSSV)	VDD <sub>V</sub>	3.0	3.3	3.6	V
VDDVDA (Measured to VSSVDA)	VDD <sub>VDA</sub>	3.0	3.3	3.6	V
VDDAPLL (Measured to VSSAPLL)	VDD <sub>APLL</sub>	3.0	3.3	3.6	V
VDDA (Measured to VSSA)	VDD <sub>A</sub>	3.0	3.3	3.6	V
VDDI (Measured to VSS)	VDD <sub>I</sub>	1.08	1.2	1.32	V
VDDO (Measured to VSS)	VDD <sub>O</sub>	3.0	3.3	3.6	V
Analog Input V <sub>pp</sub> (AC Coupling Required)	V <sub>AIN</sub>	0	1.0	2.0	V
Ambient Operating Temperature	T <sub>A</sub>	-40		85	°C

## DC Electrical Parameters

PARAMETER	SYMBOL	MIN (NOTE 1)	TYP	MAX (NOTE 1)	UNITS
<b>DIGITAL INPUTS</b>					
Input High Voltage	$V_{IH}$	2.0		3.6	V
Input Low Voltage	$V_{IL}$	-0.3		0.8	V
Input Leakage Current (@ $V_I = 3.3V$ or $0V$ )	$I_L$			$\pm 10$	$\mu A$
Input Capacitance	$C_{IN}$		6		pF
<b>DIGITAL OUTPUTS</b>					
Output High Voltage	$V_{OH}$	2.4			V
Output Low Voltage	$V_{OL}$			0.4	V
High Level Output Current (@ $V_{OH} = 2.4V$ )	$I_{OH}$	9.3	18.2	29.5	mA
Low Level Output Current (@ $V_{OL} = 0.4V$ )	$I_{OL}$	7.4	11.8	16.5	mA
Tri-state Output Leakage Current (@ $V_O = 3.3V$ or $0V$ )	$I_{OZ}$			$\pm 10$	$\mu A$
Output Capacitance	$C_O$		6		pF
Analog Pin Input Capacitance	$C_A$		6		pF
<b>SUPPLY CURRENT</b>					
Analog Video ADC Supply Current ( $V_{DDV}, 3.3V$ )	$I_{DDV}$		66.0		mA
Analog Audio Supply Current ( $V_{DDA}, 3.3V$ )	$I_{DDA}$		21.5		mA
Clock PLL Supply Current ( $V_{DDAPLL}, 3.3V$ )	$I_{DDAPLL}$		2.2		mA
Digital Internal Supply Current ( $V_{DDI}, 1.2V$ )	$I_{DDI}$		36.5		mA
Digital I/O Supply Current ( $V_{DDO}, 3.3V$ )	$I_{DDO}$		27.5		mA
Total Power Dissipation	$P$		431.88		mW

NOTE:

1. Compliance to datasheet limits is assured by one or more methods: production test, characterization and/or design.



## XTI and Video Data/Sync Timing

PARAMETER	SYMBOL	MIN (NOTE 2)	TYP	MAX (NOTE 2)	UNITS
Delay from XTI to CLKPOn (27MHz)	1	1		5	ns
Hold from CLKPOn to Video Data/Sync (27MHz)	2a	18			ns
Delay from CLKPOn to Video Data/Sync (27MHz)	2b			19	ns
Delay from XTI to CLKPO (54MHz)	3	0.1		5	ns
Hold from CLKPOn to Video Data/Sync (54MHz)	4a	9			ns
Delay from CLKPOn to Video Data/Sync (54MHz)	4b			10	ns
Delay from XTI to CLKPO (108MHz)	5	3			ns
Hold from CLKPOn to Video Data/Sync (108MHz)	6a	5			ns
Delay from CLKPOn to Video Data/Sync (108MHz)	6b			6	ns

NOTE:

1. CLKPOn timing is related with CLKPOn\_DEL register value. The following timing diagram is illustrated in the case that the CLKPOn\_DEL is set to 0hex and CLKPOn\_POL is set to 0. CLKNO timing is almost inversed CLKPOn timing as default setting.
2. Compliance to datasheet limits is assured by one or more methods: production test, characterization and/or design.

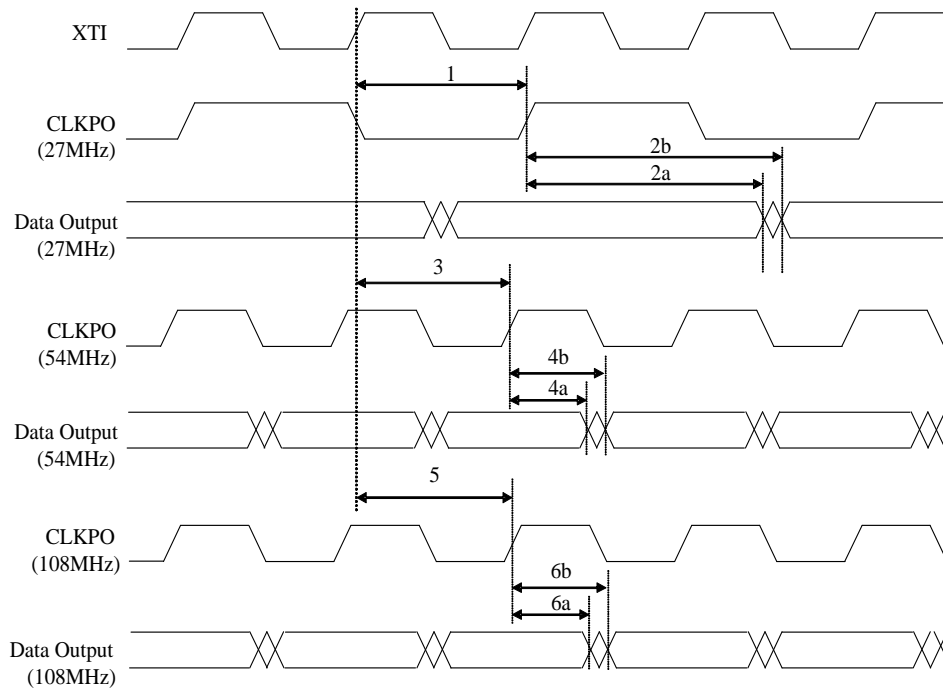


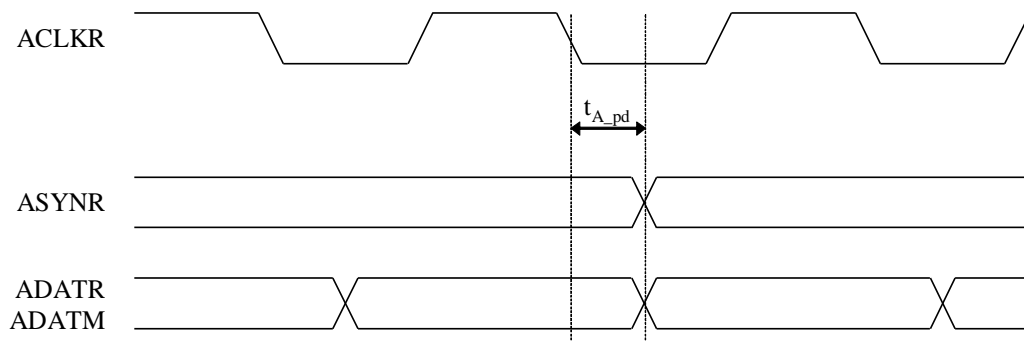
FIGURE 38. XTI AND VIDEO DATA TIMING DIAGRAM

## Digital Serial Audio Interface Timing

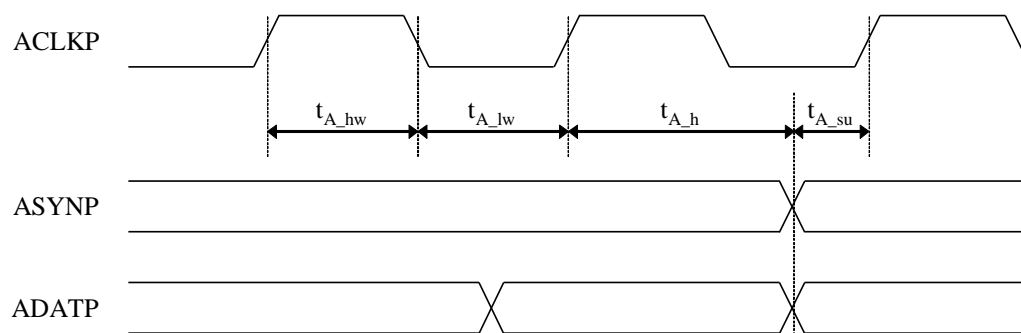
PARAMETER	SYMBOL	MIN (NOTE 2)	TYP	MAX (NOTE 2)	UNITS
ASYNR, ADATR, ADATM Propagation Delay	$T_{A\_pd}$	0.6		2	ns
ACLKP High Pulse Duration	$T_{A\_hw}$	37			ns
ACLKP Low Pulse Duration	$T_{A\_lw}$	74			ns
ASYNP, ADATP Setup Time	$T_{A\_su}$	36			ns
ASYNP, ADATP Hold Time	$T_{A\_h}$	35			ns

NOTE:

1.  $T_{A\_lw}$  Min value and  $T_{A\_su}$  Min value are  $F_s=48\text{KHz}$  mode only. If  $F_s < 48\text{KHz}$ , these Min values are more bigger. High period of ACLKR/ACLKP is 27MHz one clock period.
2. Compliance to datasheet limits is assured by one or more methods: production test, characterization and/or design.



(a) Record and Mix Audio(Master mode)



(b) Playback Audio(Master mode)

FIGURE 39. TIMING DIAGRAM OF DIGITAL SERIAL AUDIO INTERFACE

## Serial Host Interface Timing

PARAMETER	SYMBOL	MIN (NOTE 1)	TYP	MAX (NOTE 1)	UNITS
Bus Free Time Between STOP and START	$t_{BF}$	740			ns
SDAT Setup Time	$t_{SSDAT}$	100			ns
SDAT Hold Time (XTI 108MHz)	$t_{hSDAT}$	50			ns
SDAT Hold Time (XTI 54MHz)		100			ns
Setup time for START Condition	$t_{sSTA}$	370			ns
Setup time for STOP Condition	$t_{sSTOP}$	370			ns
Hold time for START Condition	$t_{hSTA}$	74			ns
Rise time for SCLK and SDAT	$t_R$			300	ns
Fall time for SCLK and SDAT	$t_F$			300	ns
Capacitive Load for Each Bus Line	$C_{BUS}$			400	pF
LOW Period of SCLK	$t_{LOW}$	0.5			$\mu$ s
HIGH Period of SCLK	$t_{HIGH}$	0.5			$\mu$ s
SCLK Clock Frequency (XTI 108MHz)	$f_{SCLK}$			400	kHz
SCLK Clock Frequency (XTI 54MHz)				350	kHz

NOTE:

1. Compliance to datasheet limits is assured by one or more methods: production test, characterization and/or design.

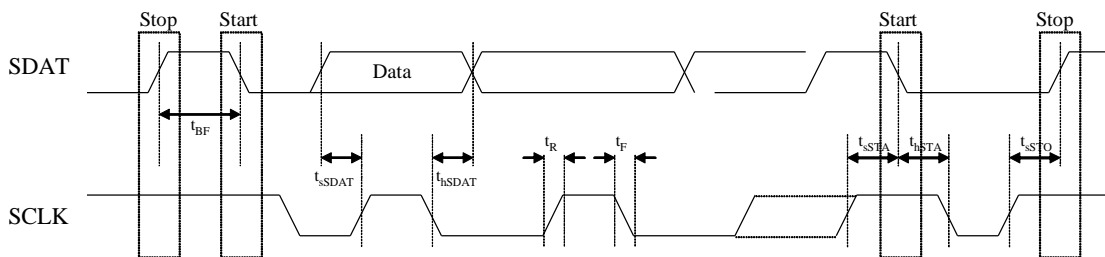


FIGURE 40. SERIAL HOST INTERFACE TIMING

**Video Decoder Parameter 1**

PARAMETER	SYMBOL	MIN (NOTE 1)	TYP	MAX (NOTE 1)	UNITS
<b>ADCS</b>					
ADC Resolution	ADCR		10		Bits
ADC Integral Non-Linearity	AINL		±1		LSB
ADC Differential Non-Linearity	ADNL		±1		LSB
ADC Clock Rate	f <sub>ADC</sub>	24	27	30	MHz
<b>HORIZONTAL PLL</b>					
Line Frequency (50Hz)	f <sub>LN</sub>		15.625		kHz
Line Frequency (60Hz)	f <sub>LN</sub>		15.734		kHz
Static Deviation	Δf <sub>H</sub>			6.2	%
<b>SUBCARRIER PLL</b>					
Subcarrier Frequency (NTSC-M)	f <sub>sc</sub>		3579545		Hz
Subcarrier Frequency (PAL-BDGI)	f <sub>sc</sub>		4433619		Hz
Subcarrier Frequency (PAL-M)	f <sub>sc</sub>		3575612		Hz
Subcarrier Frequency (PAL-N)	f <sub>sc</sub>		3582056		Hz
Lock In Range	Δf <sub>H</sub>	±450			Hz
<b>OSCILLATOR INPUT</b>					
Nominal Frequency			27		MHz
Deviation				±50	ppm
Duty Cycle				55	%

NOTE:

1. Compliance to datasheet limits is assured by one or more methods: production test, characterization and/or design.

## Video Decoder Parameter 2

PARAMETER	SYMBOL	MIN (NOTE 1)	TYP	MAX (NOTE 1)	UNITS
<b>LOCK SPECIFICATION</b>					
Sync Amplitude Range		1		200	%
Color Burst Range		5		200	%
Horizontal Lock Range		-5		5	%
Vertical Lock Range		45		65	Hz
Fsc Lock Range			±450		Hz
Color Burst Position Range			±2.2		μs
Color Burst Width Range					cycle
<b>VIDEO BANDWIDTH</b>					
B/W			6		MHz
<b>NOISE SPECIFICATION</b>					
SNR (Luma Flat Field)			57		dB
<b>NONLINEAR SPECIFICATION</b>					
Y Nonlinearity			0.5	0.7	%
Differential Phase	DP		0.4	0.6	Degree
Differential Gain	DG		0.6	0.8	%
<b>CHROMA SPECIFICATION</b>					
Hue Accuracy			1		Degree
Chroma ACC Range				400	%
Chroma Amplitude Error			1		%
Chroma Phase Error			0.3		%
Chroma Luma Intermodulation			0.2		%
<b>K-FACTOR</b>					
K2T			0.5		%
Kpulse/bar			0.5		%

NOTE:

1. Compliance to datasheet limits is assured by one or more methods: production test, characterization and/or design.

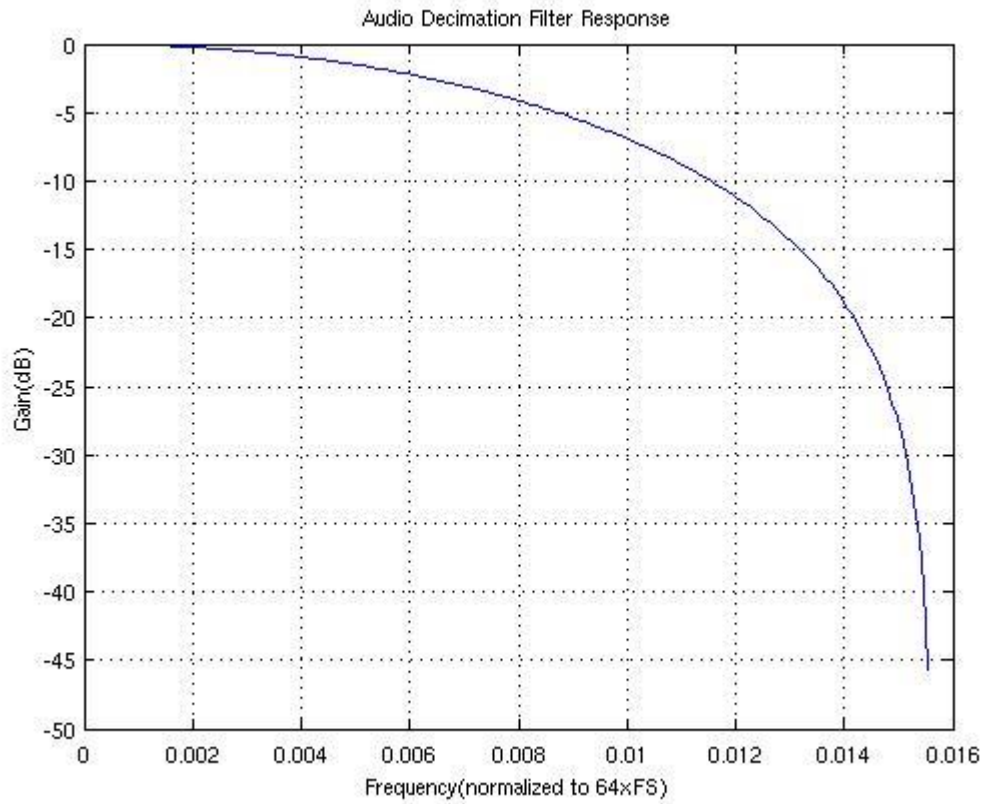
## Analog Audio Parameters

PARAMETER	SYMBOL	MIN (NOTE 6)	TYP	MAX (NOTE 6)	UNITS
<b>ANALOG AUDIO INPUT CHARACTERISTICS</b>					
AIN1-5 Input Impedance	RINX	10			k $\Omega$
Interchannel Gain Mismatch			0.2		dB
Input Voltage Range				2	Vpp
Full Scale Input Voltage (Note 3)	V <sub>IFULL</sub>		1		Vpp
Interchannel Isolation (Note 4)			90		dB
<b>ANALOG AUDIO OUTPUT CHARACTERISTICS</b>					
AOUT Output Load Resistance	RLAO	2k	10k		$\Omega$
AOUT Load Capacitance	CLAO		20	1000	pF
AOUT Offset Voltage	VOSAO			100	mV
Full Scale Output Voltage (Note 5)	V <sub>OFULL</sub>		2.0	2.5	Vpp

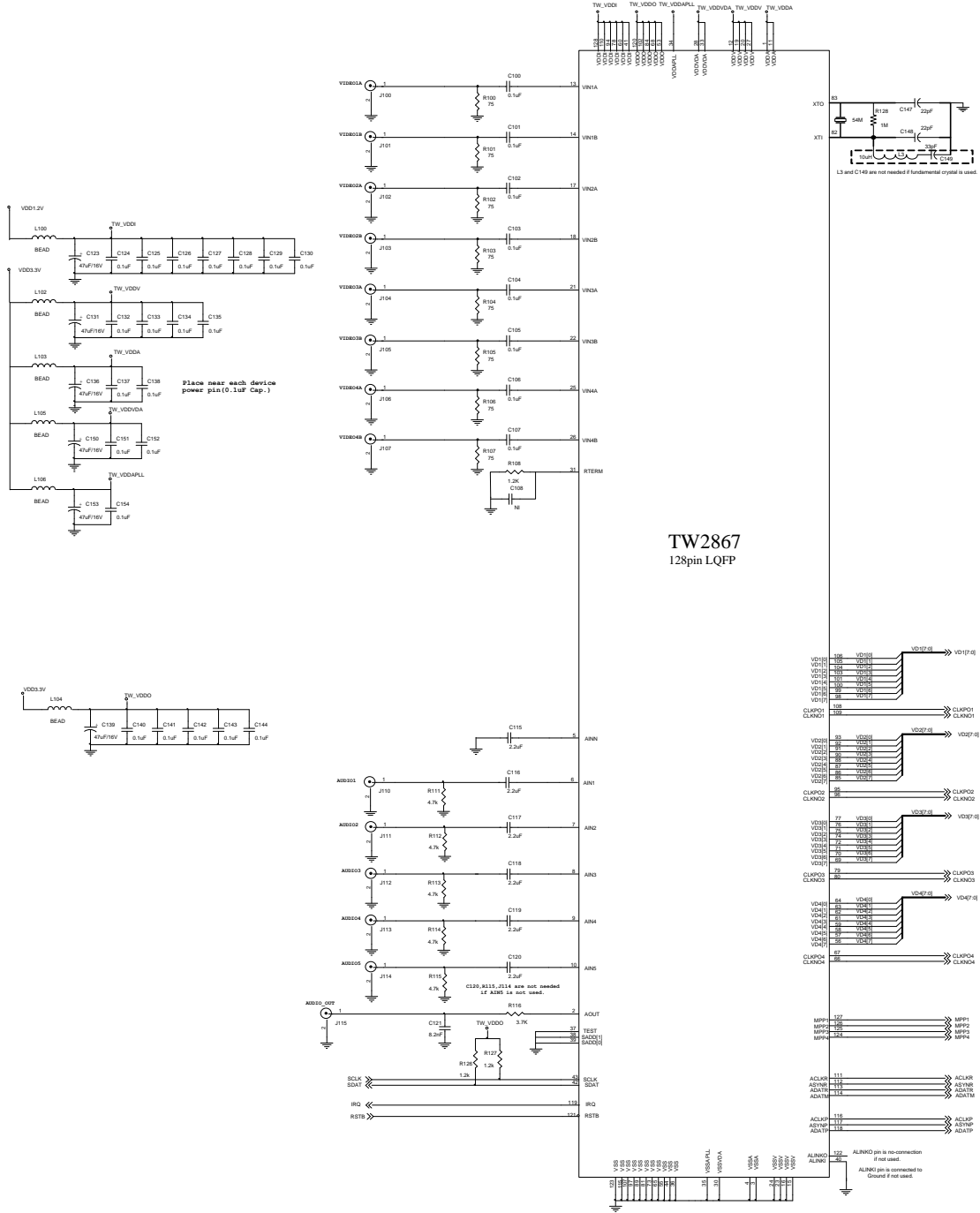
## NOTE:

3. Tested at input gain of 0 dB, Fin = 1kHz.
4. Tested at input gain of 0 dB, Fs = 8 KHz and 16kHz.
5. Tested at output gain of 0 dB, Fout = 1kHz.
6. Compliance to datasheet limits is assured by one or more methods: production test, characterization and/or design.

## Audio Decimation Filter Response



# Application Schematic

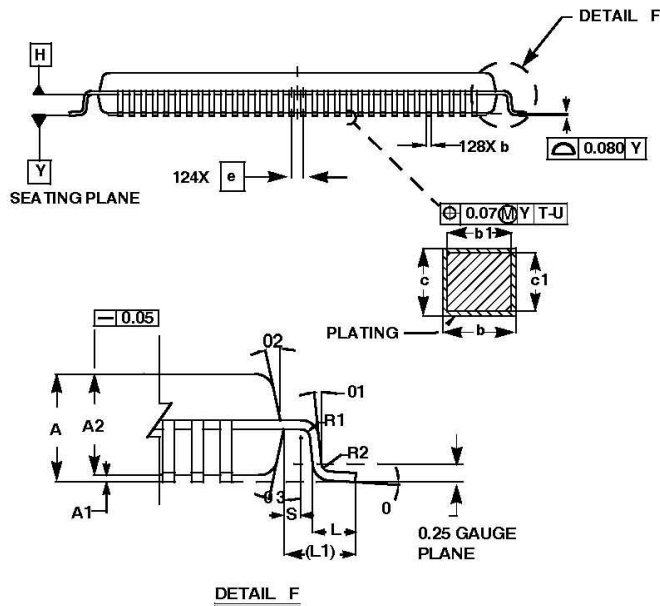
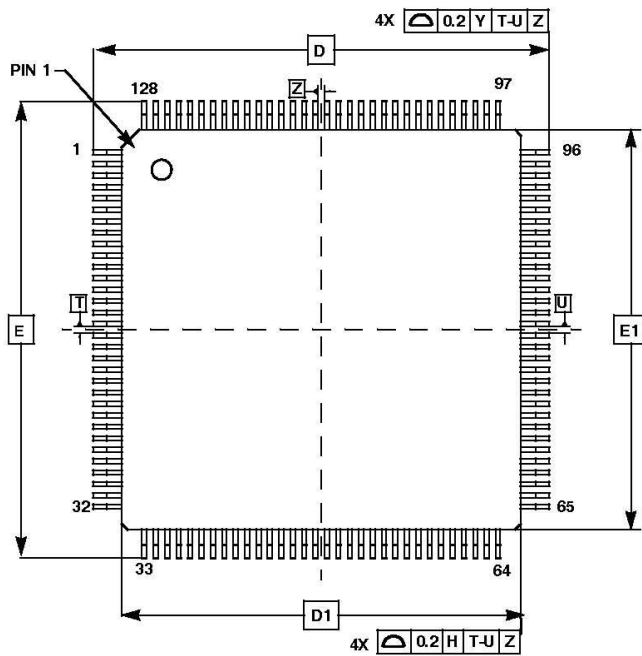




# Package Outline Drawing

## Q128.14x14

128 LEAD LOW PLASTIC QUAD FLATPACK PACKAGE .4MM PITCH



SYMBOL	MILLIMETERS			NOTES
	MIN	NOM	MAX	
A	-		1.60	-
A1	0.05		0.15	-
A2	1.35	1.40	1.45	-
b	0.13	0.16	0.23	4
b1	0.13	-	0.19	-
c	0.09	-	0.20	-
c1	0.09	-	0.16	-
D	16 BSC			-
D1	14 BSC			3
E	16 BSC			-
E1	14 BSC			3
L	0.45	0.60	0.75	-
L1	1.00 REF			-
R1	0.08	-	-	-
R2	0.08	-	0.20	-
S	0.20	-	-	-
0	0°	3.5°	7°	-
01	0°	-	-	-
02	11°	12°	13°	-
03	11°	12°	13°	-
N	128			-
e	0.40 BSC			-

Rev. 1 7/11

NOTES:

1. Dimensions are in millimeters. Dimensions in ( ) for Reference Only.
2. Dimensions and tolerances per AMSEY14.5M-1994.
3. Dimensions D1 and E1 are excluding mold protrusion. Allowable protrusion is 0.25 per side. Dimensions D1 and E1 are exclusive of mold mismatch and determined by datum plane H.
4. Dimension b does not include dambar protrusion. Allowable dambar protrusion shall not cause the lead width to exceed the maximum b dimension by more than 0.08mm. Dambar cannot be located at the lower radius or the foot. Minimum space between protrusion and an adjacent lead is 0.07 mm.

## Datasheet Revision History

DATE	REVISION	DESCRIPTION
February 9, 2012	FN8257.0	Initial release.

## About Intersil

Intersil Corporation is a leading provider of innovative power management and precision analog solutions. The company's products address some of the largest markets within the industrial and infrastructure, mobile computing and high-end consumer markets.

For the most updated datasheet, application notes, related documentation and related parts, please see the respective product information page found at [www.intersil.com](http://www.intersil.com).

You may report errors or suggestions for improving this datasheet by visiting [www.intersil.com/ask](http://www.intersil.com/ask).

Reliability reports are also available from our website at [www.intersil.com/support](http://www.intersil.com/support)

© Copyright Intersil Americas LLC 2012. All Rights Reserved.

All trademarks and registered trademarks are the property of their respective owners.

For additional products, see [www.intersil.com/product\\_tree](http://www.intersil.com/product_tree)

Intersil products are manufactured, assembled and tested utilizing ISO9001 quality systems as noted in the quality certifications found at <http://www.intersil.com/en/support/qualandreliability.html>

*Intersil products are sold by description only. Intersil may modify the circuit design and/or specifications of products at any time without notice, provided that such modification does not, in Intersil's sole judgment, affect the form, fit or function of the product. Accordingly, the reader is cautioned to verify that datasheets are current before placing orders. Information furnished by Intersil is believed to be accurate and reliable. However, no responsibility is assumed by Intersil or its subsidiaries for its use; nor for any infringements of patents or other rights of third parties which may result from its use. No license is granted by implication or otherwise under any patent or patent rights of Intersil or its subsidiaries.*

For information regarding Intersil Corporation and its products, see <http://www.intersil.com>