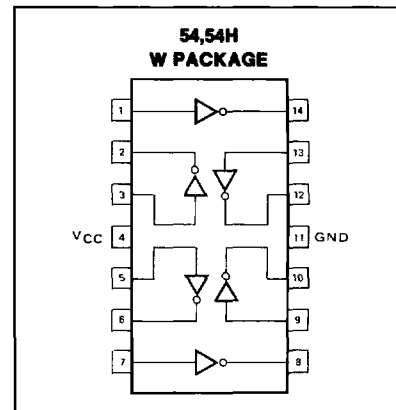
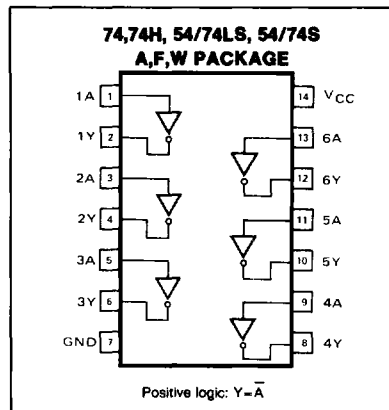


SPEED/PACKAGE AVAILABILITY

54	F,W	74	A,F
54H	F,W	74H	A,F
54LS	F,W	74LS	A,F
54S	F,W	74S	A,F

PIN CONFIGURATION



SWITCHING CHARACTERISTICS $V_{CC} = 5V, T_A = 25^\circ C$

TEST CONDITIONS	54/74			54/74H			54/74LS			54/74S			UNIT
	MIN	TYP	MAX	MIN	TYP	MAX	MIN	TYP	MAX	MIN	TYP	MAX	
$C_L = 15pF$ $R_L = 400\Omega$													
Propagation delay time t_{PLH} Low-to-high		40	55		10	15		17	32	2	5	7.5	ns
										$C_L = 50pF$ 7.5			
t_{PHL} High-to-low		8	15		7.5	12		15	28	2	4.5	7	ns
										$C_L = 50pF$ 7			

Load circuit and typical waveforms are shown at the front of section.

SPEED/PACKAGE AVAILABILITY

54	F,W	74	A,F
----	-----	----	-----

SWITCHING CHARACTERISTICS $V_{CC} = 5V, T_A = 25^\circ C$

TEST CONDITIONS	54/74			UNIT
	MIN	TYP	MAX	
$C_L = 15pF$ $R_L = 110\Omega$				
Propagation delay time t_{PLH} Low-to-high		10	15	ns
t_{PHL} High-to-low				

Load circuit and typical waveforms are shown at the front of section.

PIN CONFIGURATION

