

National Semiconductor is now part of
Texas Instruments.

Search <http://www.ti.com/> for the latest technical
information and details on our current products and services.

LM111JAN

Voltage Comparator

General Description

The LM111 is a voltage comparator that has input currents nearly a thousand times lower than devices such as the LM106 or LM710. It is also designed to operate over a wider range of supply voltages: from standard $\pm 15\text{V}$ op amp supplies down to the single 5V supply used for IC logic. The output is compatible with RTL, DTL and TTL as well as MOS circuits. Further, it can drive lamps or relays, switching voltages up to 50V at currents as high as 50 mA.

Both the inputs and the outputs of the LM111 can be isolated from system ground, and the output can drive loads referred to ground, the positive supply or the negative supply. Offset balancing and strobe capability are provided and outputs can be wire OR'ed. Although slower than the LM106 and LM710

(200 ns response time vs 40 ns) the device is also much less prone to spurious oscillations. The LM111 has the same pin configuration as the LM106 and LM710.

Features

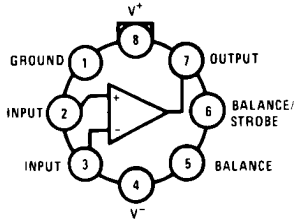
- Operates from single 5V supply
- Input current: 200 nA max. over temperature
- Offset current: 20 nA max. over temperature
- Differential input voltage range: $\pm 30\text{V}$
- Power consumption: 135 mW at $\pm 15\text{V}$
- Power supply voltage, single 5V to $\pm 15\text{V}$
- Offset voltage null capability
- Strobe capability

Ordering Information

NS PART NUMBER	JAN PART NUMBER	NS PACKAGE NUMBER	PACKAGE DESCRIPTION
JL111BCA	JM38510/10304BCA	J14A	14LD CERDIP
JL111BGA	JM38510/10304BGA	H08C	8LD TO-99 Metal Can
JL111BHA	JM38510/10304BHA	W10A	10LD CERPACK
JL111BPA	JM38510/10304BPA	J08A	8LD CERDIP
JL111SGA	JM38510/10304SGA	H08C	8LD TO-99 Metal Can
JL111SHA	JM38510/10304SHA	W10A	10LD CERPACK
JL111SPA	JM38510/10304SPA	J08A	8LD CERDIP
JL111SZA	JM38510/10304SZA	WG10A	10LD Ceramic SOIC

Connection Diagrams

Metal Can Package

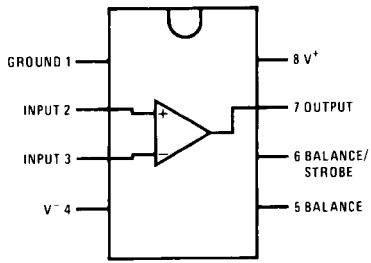


20142006

Note: Pin 4 connected to case

Top View
See NS Package Number H08C

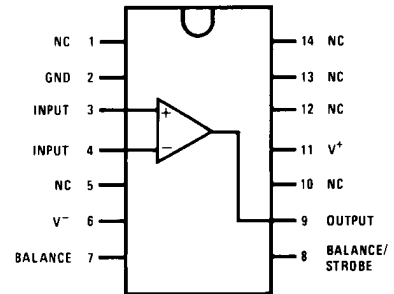
Dual-In-Line Package



20142034

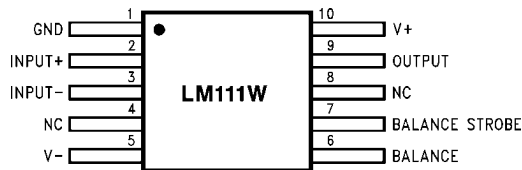
Top View
See NS Package Number J08A

Dual-In-Line Package



20142035

Top View
See NS Package Number J14A

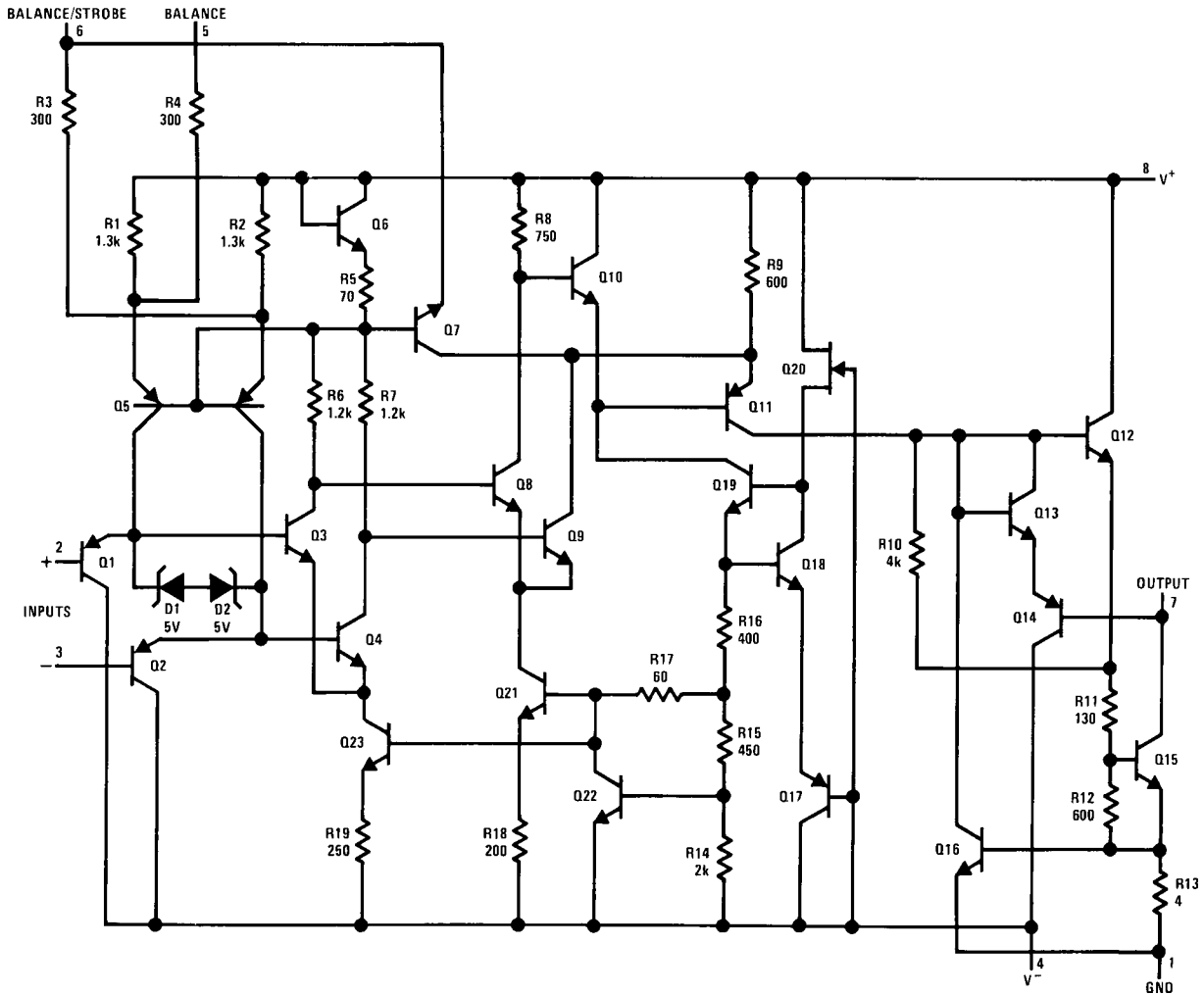


20142033

See NS Package Number W10A, WG10A

Schematic Diagram

(Note Pin connections shown on schematic diagram are for H08 package.)



20142005

Note 1: Pin connections shown on schematic diagram are for H08 package.

Absolute Maximum Ratings (Note 2)

Positive Supply Voltage	+30.0V
Negative Supply Voltage	-30.0V
Total Supply Voltage	36V
Output to Negative Supply Voltage	50V
GND to Negative Supply Voltage	30V
Differential Input Voltage	±30V
Sink Current	50mA
Input Voltage (Note 3)	±15V
Power Dissipation (Note 4)	
8 LD CERDIP	400mW @ 25°C
8 LD Metal Can	330mW @ 25°C
10 LD CERPACK	330mW @ 25°C
10 LD Ceramic SOIC	330mW @ 25°C
14 LD CERDIP	400mW @ 25°C
Output Short Circuit Duration	10 seconds
Maximum Strobe Current	10mA
Operating Temperature Range	-55°C ≤ T _A ≤ 125°C
Thermal Resistance	
θ _{JA}	
8 LD CERDIP (Still Air @ 0.5W)	120°C/W
8 LD CERDIP (500LF/Min Air flow @ 0.5W)	76°C/W
8 LD Metal Can (Still Air @ 0.5W)	150°C/W
8 LD Metal Can (500LF/Min Air flow @ 0.5W)	92°C/W
10 Ceramic SOIC (Still Air @ 0.5W)	231°C/W
10 Ceramic SOIC (500LF/Min Air flow @ 0.5W)	153°C/W
10 CERPACK (Still Air @ 0.5W)	231°C/W
10 CERPACK (500LF/Min Air flow @ 0.5W)	153°C/W
14 LD CERDIP (Still Air @ 0.5W)	120°C/W
14 LD CERDIP (500LF/Min Air flow @ 0.5W)	65°C/W
θ _{Jc}	
8 LD CERDIP	35°C/W
8 LD Metal Can Pkg	40°C/W
10 LD Ceramic SOIC	60°C/W
10 LD CERPACK	60°C/W
14 LD CERDIP	35°C/W
Storage Temperature Range	-65°C ≤ T _A ≤ 150°C
Maximum Junction Temperature	175°C
Lead Temperature (Soldering, 60 seconds)	300°C
Voltage at Strobe Pin	V+ -5V
Package Weight (Typical)	
8 LD Metal Can	965mg
8 LD CERDIP	1100mg
10 LD CERPACK	250mg
10 LD Ceramic SOIC	225mg
14 LD CERDIP	TBD
ESD Rating (Note 5)	300V

Recommended Operating Conditions

Supply Voltage

$$V_{CC} = \pm 15V_{DC}$$

Operating Temperature Range

$$-55^{\circ}\text{C} \leq T_A \leq 125^{\circ}\text{C}$$

Quality Conformance Inspection

Mil-Std-883, Method 5005 — Group A

Subgroup	Description	Temperature (°C)
1	Static tests at	+25
2	Static tests at	+125
3	Static tests at	-55
4	Dynamic tests at	+25
5	Dynamic tests at	+125
6	Dynamic tests at	-55
7	Functional tests at	+25
8A	Functional tests at	+125
8B	Functional tests at	-55
9	Switching tests at	+25
10	Switching tests at	+125
11	Switching tests at	-55

LM111 JAN Electrical Characteristics

DC Parameters

The following conditions apply, unless otherwise specified.

DC: $V_{CC} = \pm 15V$, $V_{CM} = 0$

Symbol	Parameter	Conditions	Notes	Min	Max	Unit	Sub-groups
V_{IO}	Input Offset Voltage	$V_I = 0V$, $R_S = 50\Omega$		-3.0	+3.0	mV	1
				-4.0	+4.0	mV	2, 3
		$+V_{CC} = 29.5V$, $-V_{CC} = -0.5V$, $V_I = 0V$, $V_{CM} = -14.5V$, $R_S = 50\Omega$		-3.0	+3.0	mV	1
				-4.0	+4.0	mV	2, 3
		$+V_{CC} = 2V$, $-V_{CC} = -28V$, $V_I = 0V$, $V_{CM} = +13V$, $R_S = 50\Omega$		-3.0	+3.0	mV	1
				-4.0	+4.0	mV	2, 3
$V_{IO R}$	Raised Input Offset Voltage	$V_I = 0V$, $R_S = 50\Omega$	(Note 10)	-3.0	+3.0	mV	1
				-4.5	+4.5	mV	2, 3
		$+V_{CC} = 29.5V$, $-V_{CC} = -0.5V$, $V_I = 0V$, $V_{CM} = -14.5V$, $R_S = 50\Omega$	(Note 10)	-3.0	+3.0	mV	1
				-4.5	+4.5	mV	2, 3
		$+V_{CC} = 2V$, $-V_{CC} = -28V$, $V_I = 0V$, $V_{CM} = +13V$, $R_S = 50\Omega$	(Note 10)	-3.0	+3.0	mV	1
				-4.5	+4.5	mV	2, 3
I_{IO}	Input Offset Current	$V_I = 0V$, $R_S = 50K\Omega$		-10	+10	nA	1, 2
				-20	+20	nA	3
		$+V_{CC} = 29.5V$, $-V_{CC} = -0.5V$, $V_I = 0V$, $V_{CM} = -14.5V$, $R_S = 50K\Omega$		-10	+10	nA	1, 2
				-20	+20	nA	3
		$+V_{CC} = 2V$, $-V_{CC} = -28V$, $V_I = 0V$, $V_{CM} = +13V$, $R_S = 50K\Omega$		-10	+10	nA	1, 2
				-20	+20	nA	3
$I_{IO R}$	Raised Input Offset Current	$V_I = 0V$, $R_S = 50K\Omega$	(Note 10)	-25	+25	nA	1, 2
				-50	+50	nA	3
$\pm I_{IB}$	Input Bias Current	$V_I = 0V$, $R_S = 50K\Omega$		-100	0.1	nA	1, 2
				-150	0.1	nA	3
		$+V_{CC} = 29.5V$, $-V_{CC} = -0.5V$, $V_I = 0V$, $V_{CM} = -14.5V$, $R_S = 50K\Omega$		-150	0.1	nA	1, 2
				-200	0.1	nA	3
		$+V_{CC} = 2V$, $-V_{CC} = -28V$, $V_I = 0V$, $V_{CM} = +13V$, $R_S = 50K\Omega$		-150	0.1	nA	1, 2
				-200	0.1	nA	3
V_{OSt}	Collector Output Voltage (Strobe)	$+V_I = Gnd$, $-V_I = 15V$, $I_{St} = -3mA$, $R_S = 50\Omega$	(Note 7)	14		V	1, 2, 3
CMRR	Common Mode Rejection	$-28V \leq -V_{CC} \leq -0.5V$, $R_S = 50\Omega$, $2V \leq +V_{CC} \leq 29.5V$, $R_S = 50\Omega$, $-14.5V \leq V_{CM} \leq 13V$, $R_S = 50\Omega$		80		dB	1, 2, 3

Symbol	Parameter	Conditions	Notes	Min	Max	Unit	Sub-groups
V_{OL}	Low Level Output Voltage	$+V_{CC} = 4.5V, -V_{CC} = \text{Gnd},$ $I_O = 8\text{mA}, \pm V_I = 0.5V,$ $V_{ID} = -6\text{mV}$	(Note 9)		0.4	V	1, 2, 3
		$+V_{CC} = 4.5V, -V_{CC} = \text{Gnd},$ $I_O = 8\text{mA}, \pm V_I = 3V,$ $V_{ID} = -6\text{mV}$	(Note 9)		0.4	V	1, 2, 3
		$I_O = 50\text{mA}, \pm V_I = 13V,$ $V_{ID} = -5\text{mV}$	(Note 9)		1.5	V	1, 2, 3
		$I_O = 50\text{mA}, \pm V_I = -14V,$ $V_{ID} = -5\text{mV}$	(Note 9)		1.5	V	1, 2, 3
I_{CEX}	Output Leakage Current	$+V_{CC} = 18V, -V_{CC} = -18V,$ $V_O = 32V$		-1.0	10	nA	1
				-1.0	500	nA	2
I_{IL}	Input Leakage Current	$+V_{CC} = 18V, -V_{CC} = -18V,$ $+V_I = +12V, -V_I = -17V$		-5.0	500	nA	1, 2, 3
				-5.0	500	nA	1, 2, 3
$+I_{CC}$	Power Supply Current				6.0	mA	1, 2
					7.0	mA	3
$-I_{CC}$	Power Supply Current			-5.0		mA	1, 2
				-6.0		mA	3
$\Delta V_{IO} / \Delta T$	Temperature Coefficient Input Offset Voltage	$25^\circ\text{C} \leq T \leq 125^\circ\text{C}$	(Note 8)	-25	25	$\mu\text{V}/^\circ\text{C}$	2
		$-55^\circ\text{C} \leq T \leq 25^\circ\text{C}$	(Note 8)	-25	25	$\mu\text{V}/^\circ\text{C}$	3
$\Delta I_O / \Delta T$	Temperature Coefficient Input Offset Current	$25^\circ\text{C} \leq T \leq 125^\circ\text{C}$	(Note 8)	-100	100	$\text{pA}/^\circ\text{C}$	2
		$-55^\circ\text{C} \leq T \leq 25^\circ\text{C}$	(Note 8)	-200	200	$\text{pA}/^\circ\text{C}$	3
I_{OS}	Short Circuit Current	$V_O = 5V, t \leq 10\text{mS}, -V_I = 0.1V,$ $+V_I = 0V$			200	mA	1
					150	mA	2
					250	mA	3
$+V_{IO \text{ adj.}}$	Input Offset Voltage (Adjustment)	$V_O = 0V, V_I = 0V, R_S = 50\Omega$		5.0		mV	1
$-V_{IO \text{ adj.}}$	Input Offset Voltage (Adjustment)	$V_O = 0V, V_I = 0V, R_S = 50\Omega$			-5.0	mV	1
$\pm A_{VE}$	Voltage Gain (Emitter)	$R_L = 600\Omega$	(Note 6)	10		V/mV	4
			(Note 6)	8.0		V/mV	5, 6

AC Parameters

The following conditions apply, unless otherwise specified.

AC: $V_{CC} = \pm 15V, V_{CM} = 0$

Symbol	Parameter	Conditions	Notes	Min	Max	Unit	Sub-groups
$t_{R_{LHC}}$	Response Time (Collector Output)	$V_{OD}(\text{Overdrive}) = -5\text{mV},$ $C_L = 50\text{pF}, V_I = -100\text{mV}$			300	nS	7, 8B
					640	nS	8A
$t_{R_{HLC}}$	Response Time (Collector Output)	$V_{OD}(\text{Overdrive}) = 5\text{mV},$ $C_L = 50\text{pF}, V_I = 100\text{mV}$			300	nS	7, 8B
					500	nS	8A

DC Drift Parameters

The following conditions apply, unless otherwise specified.

DC: $V_{CC} = \pm 15V$, $V_{CM} = 0$

Delta calculations performed on JANS devices at group B, subgroup 5.

Symbol	Parameter	Conditions	Notes	Min	Max	Unit	Sub-groups
V_{IO}	Input Offset Voltage	$V_I = 0V$, $R_S = 50\Omega$		-0.5	0.5	mV	1
		$+V_{CC} = 29.5V$, $-V_{CC} = -0.5V$, $V_I = 0V$, $V_{CM} = -14.5V$, $R_S = 50\Omega$		-0.5	0.5	mV	1
		$+V_{CC} = 2V$, $-V_{CC} = -28V$, $V_I = 0V$, $V_{CM} = +13V$, $R_S = 50\Omega$		-0.5	0.5	mV	1
$\pm I_{IB}$	Input Bias Current	$V_I = 0V$, $R_S = 50K\Omega$		-12.5	12.5	nA	1
		$+V_{CC} = 29.5V$, $-V_{CC} = -0.5V$, $V_I = 0V$, $V_{CM} = -14.5V$, $R_S = 50K\Omega$		-12.5	12.5	nA	1
		$+V_{CC} = 2V$, $-V_{CC} = -28V$, $V_I = 0V$, $V_{CM} = +13V$, $R_S = 50K\Omega$		-12.5	12.5	nA	1
I_{CEX}	Output Leakage Current	$+V_{CC} = 18V$, $-V_{CC} = -18V$, $V_O = 32V$		-5.0	5.0	nA	1

Note 2: Absolute Maximum Ratings indicate limits beyond which damage to the device may occur. Operating Ratings indicate conditions for which the device is functional, but do not guarantee specific performance limits. For guaranteed specifications and test conditions, see the Electrical Characteristics. The guaranteed specifications apply only for the test conditions listed. Some performance characteristics may degrade when the device is not operated under the listed test conditions.

Note 3: This rating applies for $\pm 15V$ supplies. The positive input voltage limit is 30 V above the negative supply. The negative input voltage limit is equal to the negative supply voltage or 30V below the positive supply, whichever is less.

Note 4: The maximum power dissipation must be derated at elevated temperatures and is dictated by T_{Jmax} (maximum junction temperature), θ_{JA} (package junction to ambient thermal resistance), and T_A (ambient temperature). The maximum allowable power dissipation at any temperature is $P_{Dmax} = (T_{Jmax} - T_A) / \theta_{JA}$ or the number given in the Absolute Maximum Ratings, whichever is lower.

Note 5: Human body model, 1.5 k Ω in series with 100 pF.

Note 6: Datalog reading in K=V/mV.

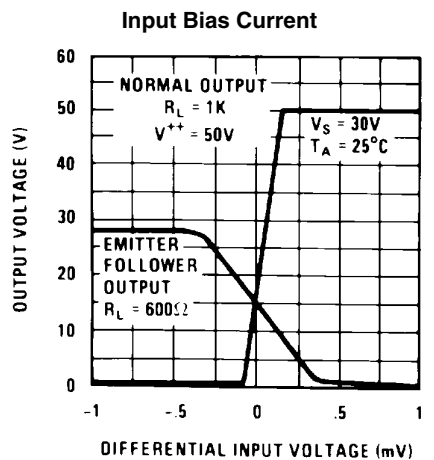
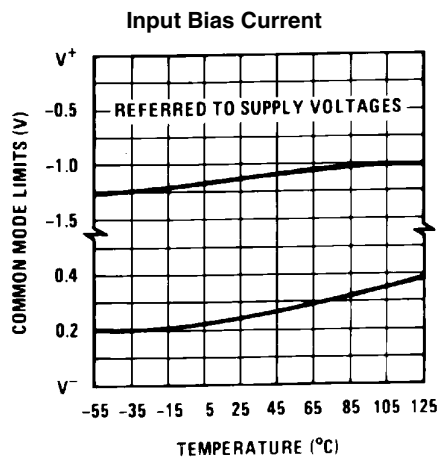
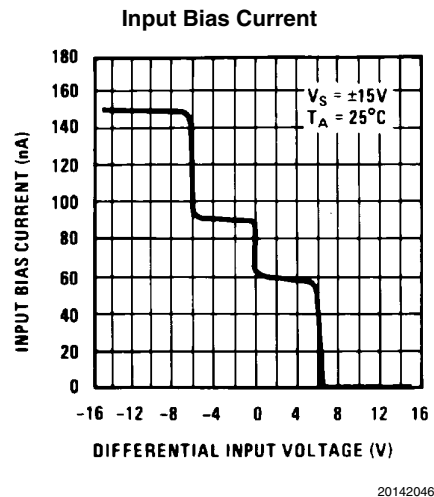
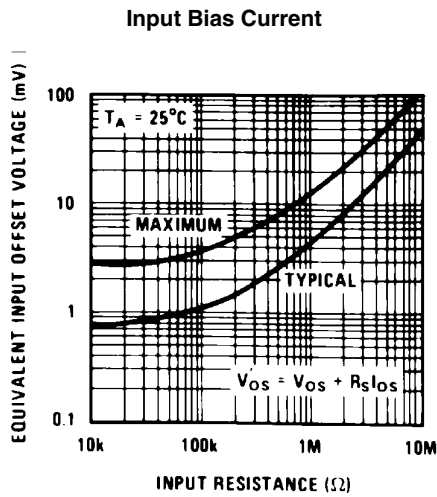
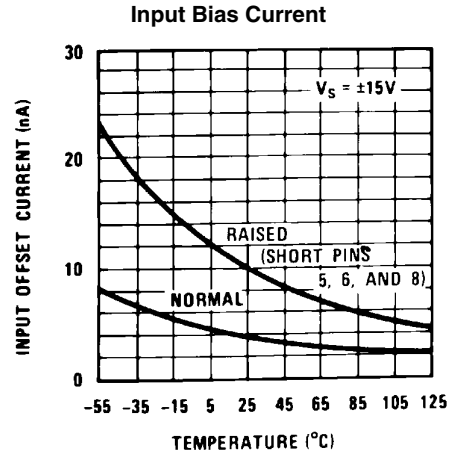
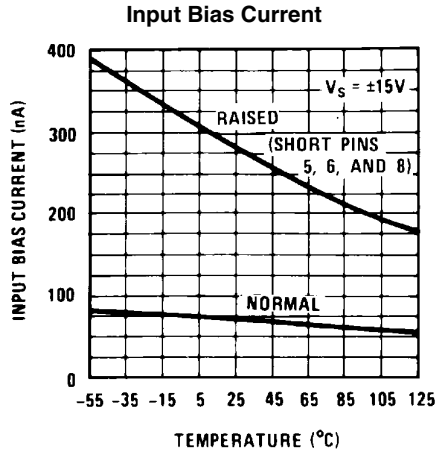
Note 7: $I_{ST} = -2mA$ at $-55^\circ C$

Note 8: Calculated parameter.

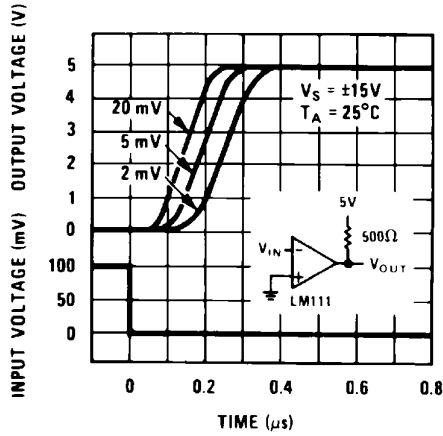
Note 9: V_{ID} is voltage difference between inputs.

Note 10: Subscript (R) indicates tests which are performed with input stage current raised by connecting BAL and BAL/STB terminals to $+V_{CC}$.

LM111 Typical Performance Characteristics

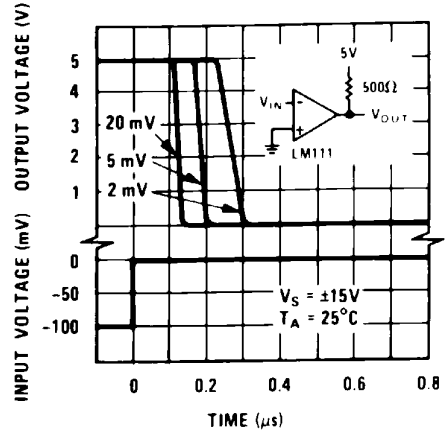


Input Bias Current
Input Overdrives



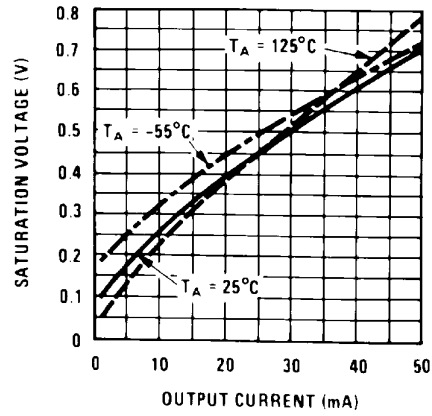
20142049

Input Bias Current
Input Overdrives



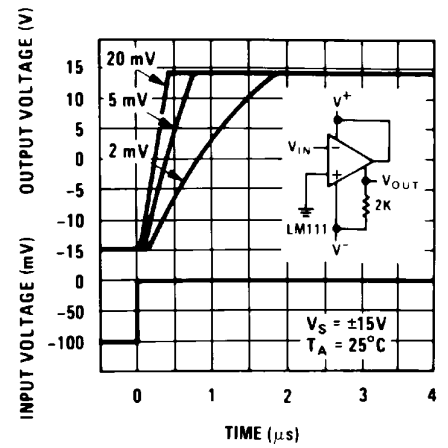
20142050

Input Bias Current



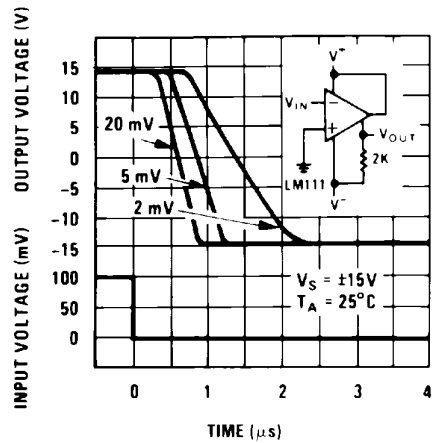
20142051

Response Time for Various
Input Overdrives



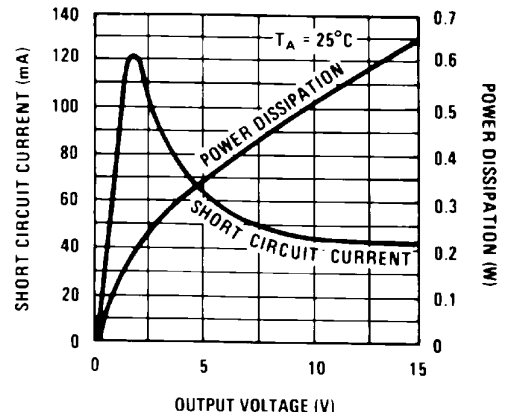
20142052

Response Time for Various
Input Overdrives

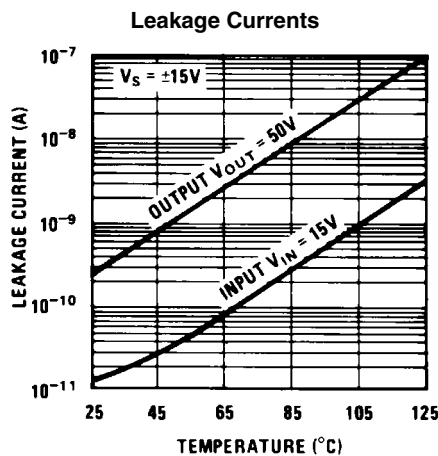
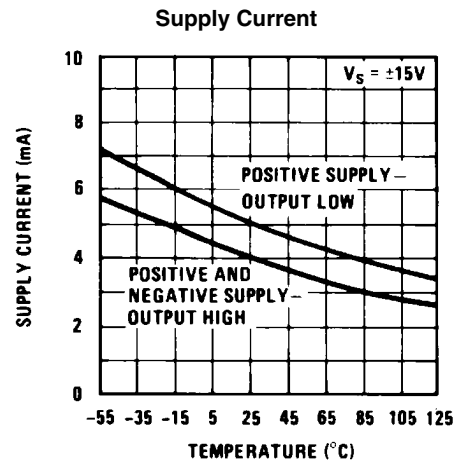
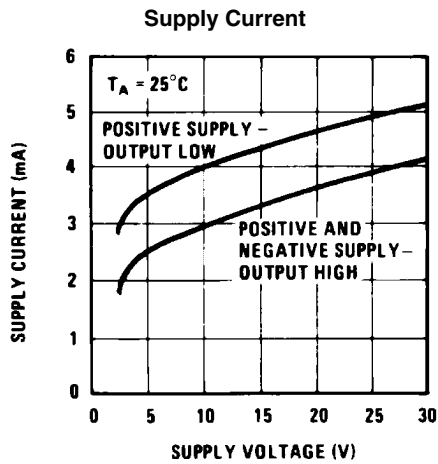


20142053

Output Limiting Characteristics



20142054



Application Hints

CIRCUIT TECHNIQUES FOR AVOIDING OSCILLATIONS IN COMPARATOR APPLICATIONS

When a high-speed comparator such as the LM111 is used with fast input signals and low source impedances, the output response will normally be fast and stable, assuming that the power supplies have been bypassed (with 0.1 μF disc capacitors), and that the output signal is routed well away from the inputs (pins 2 and 3) and also away from pins 5 and 6.

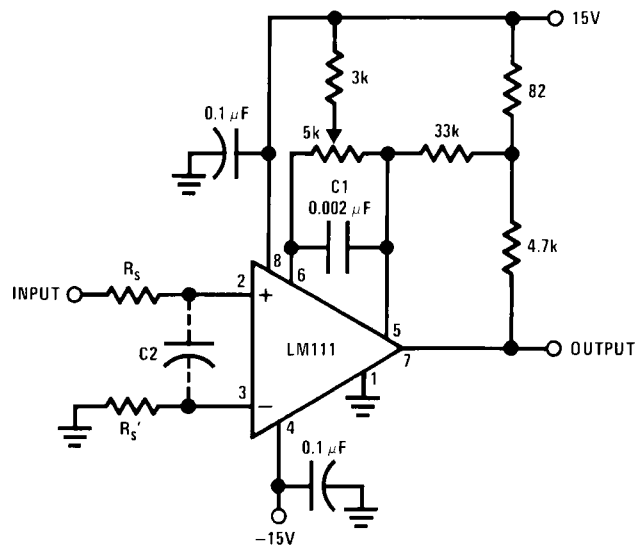
However, when the input signal is a voltage ramp or a slow sine wave, or if the signal source impedance is high (1 k Ω to 100 k Ω), the comparator may burst into oscillation near the crossing-point. This is due to the high gain and wide bandwidth of comparators such as the LM111. To avoid oscillation or instability in such a usage, several precautions are recommended, as shown in *Figure 1* below.

1. The trim pins (pins 5 and 6) act as unwanted auxiliary inputs. If these pins are not connected to a trim-pot, they should be shorted together. If they are connected to a trim-pot, a 0.01 μF capacitor C1 between pins 5 and 6 will minimize the susceptibility to AC coupling. A smaller capacitor is used if pin 5 is used for positive feedback as in *Figure 1*.
2. Certain sources will produce a cleaner comparator output waveform if a 100 pF to 1000 pF capacitor C2 is connected directly across the input pins.
3. When the signal source is applied through a resistive network, R_S , it is usually advantageous to choose an R_S of substantially the same value, both for DC and for dynamic (AC) considerations. Carbon, tin-oxide, and metal-film resistors have all been used successfully in comparator input circuitry. Inductive wire wound resistors are not suitable.
4. When comparator circuits use input resistors (e.g. summing resistors), their value and placement are particularly important. In all cases the body of the resistor should be close to the device or socket. In other words there should be very little lead length or printed-circuit foil run between comparator and resistor to radiate or pick up signals. The same applies to capacitors, pots, etc. For example, if $R_S=10$ k Ω , as little as 5 inches of lead between the resistors and the input pins can result in oscillations that are very hard to damp. Twisting these input leads tightly is the only (second best) alternative to placing resistors close to the comparator.
5. Since feedback to almost any pin of a comparator can result in oscillation, the printed-circuit layout should be engineered thoughtfully. Preferably there should be a ground plane under the LM111 circuitry, for example, one side of a double-layer circuit card. Ground foil (or, positive supply or negative supply foil) should extend between the output and the inputs, to act as a guard. The foil connections for the inputs should be as small and compact as possible, and should be essentially surrounded by ground foil on all sides, to guard against

- capacitive coupling from any high-level signals (such as the output). If pins 5 and 6 are not used, they should be shorted together. If they are connected to a trim-pot, the trim-pot should be located, at most, a few inches away from the LM111, and the 0.01 μF capacitor should be installed. If this capacitor cannot be used, a shielding printed-circuit foil may be advisable between pins 6 and 7. The power supply bypass capacitors should be located within a couple inches of the LM111. (Some other comparators require the power-supply bypass to be located immediately adjacent to the comparator.)
6. It is a standard procedure to use hysteresis (positive feedback) around a comparator, to prevent oscillation, and to avoid excessive noise on the output because the comparator is a good amplifier for its own noise. In the circuit of *Figure 2*, the feedback from the output to the positive input will cause about 3 mV of hysteresis. However, if R_S is larger than 100 Ω , such as 50 k Ω , it would not be reasonable to simply increase the value of the positive feedback resistor above 510 k Ω . The circuit

of *Figure 3* could be used, but it is rather awkward. See the notes in paragraph 7 below.

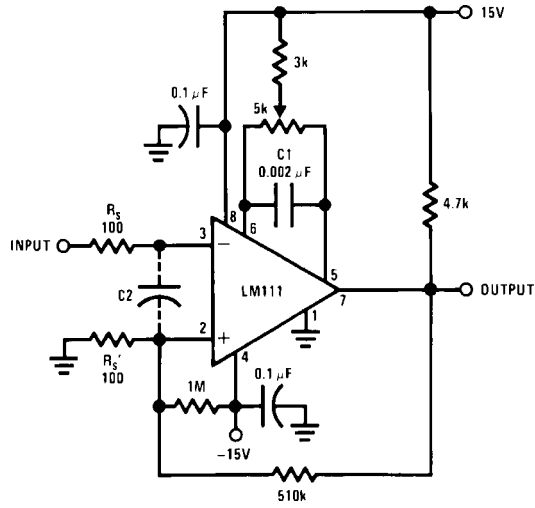
7. When both inputs of the LM111 are connected to active signals, or if a high-impedance signal is driving the positive input of the LM111 so that positive feedback would be disruptive, the circuit of *Figure 1* is ideal. The positive feedback is to pin 5 (one of the offset adjustment pins). It is sufficient to cause 1 to 2 mV hysteresis and sharp transitions with input triangle waves from a few Hz to hundreds of kHz. The positive-feedback signal across the 82 Ω resistor swings 240 mV below the positive supply. This signal is centered around the nominal voltage at pin 5, so this feedback does not add to the V_{OS} of the comparator. As much as 8 mV of V_{OS} can be trimmed out, using the 5 k Ω pot and 3 k Ω resistor as shown.
8. These application notes apply specifically to the LM111 and LF111 families of comparators, and are applicable to all high-speed comparators in general, (with the exception that not all comparators have trim pins).



20142029

Pin connections shown are for LM111H in the H08 hermetic package

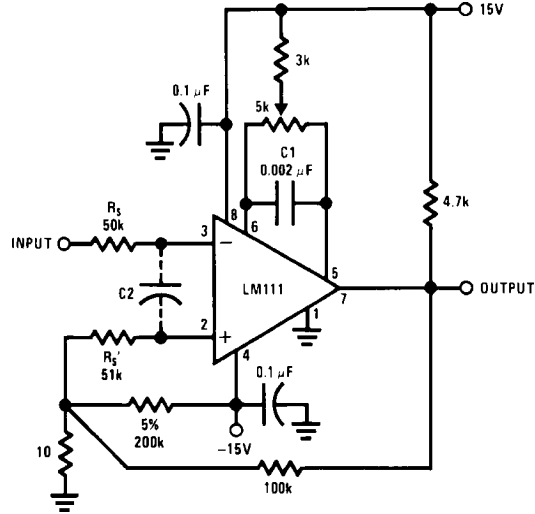
FIGURE 1. Improved Positive Feedback



20142030

Pin connections shown are for LM111H in the H08 hermetic package

FIGURE 2. Conventional Positive Feedback

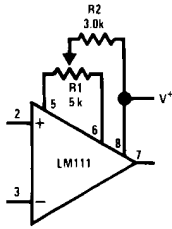


20142031

FIGURE 3. Positive Feedback with High Source Resistance

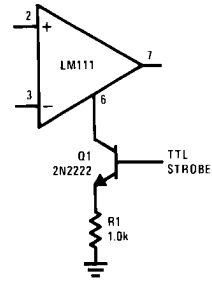
Typical Applications (Note 13)

Offset Balancing



20142036

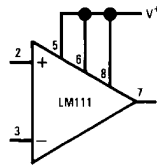
Strobing



20142037

Note: Do Not Ground Strobe Pin. Output is turned off when current is pulled from Strobe Pin.

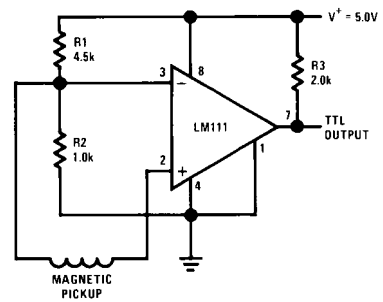
Increasing Input Stage Current (Note Increases typical common mode slew from 7.0V/μs to 18V/μs.)



20142038

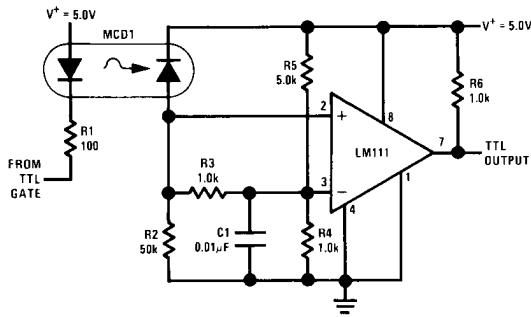
Note 11: Increases typical common mode slew from 7.0V/μs to 18V/μs.

Detector for Magnetic Transducer



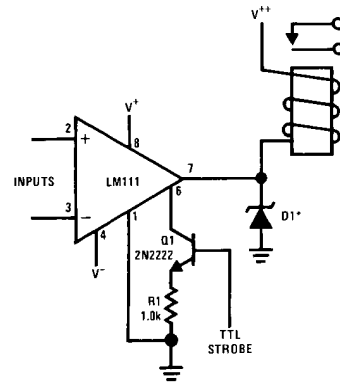
20142039

Digital Transmission Isolator



20142040

Relay Driver with Strobe

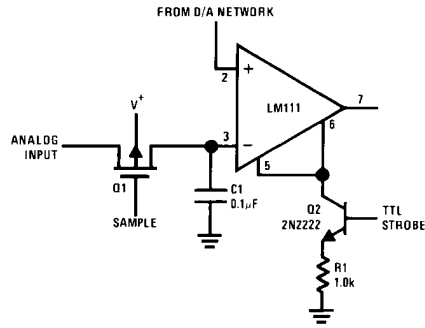


20142041

*Absorbs inductive kickback of relay and protects IC from severe voltage transients on V++ line.

Note: Do Not Ground Strobe Pin.

Strobing off Both Input and Output Stages (Note Typical input current is 50 pA with inputs strobed off.)



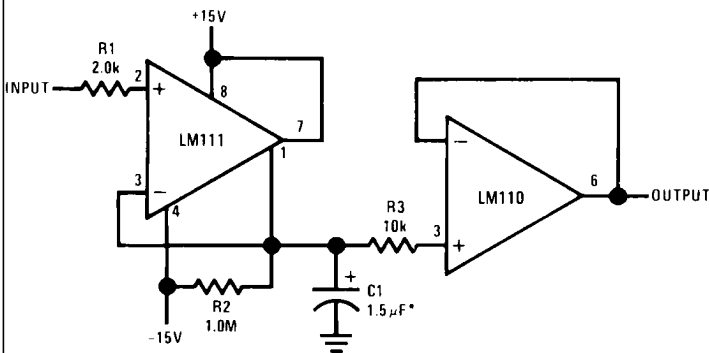
20142042

Note: Do Not Ground Strobe Pin.

Note 12: Typical input current is 50 pA with inputs strobed off.

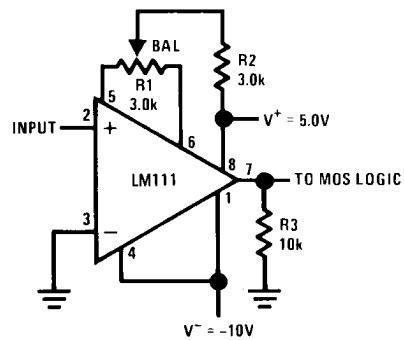
Note 13: Pin connections shown on schematic diagram and typical applications are for H08 metal can package.

Positive Peak Detector



20142023

Zero Crossing Detector Driving MOS Logic



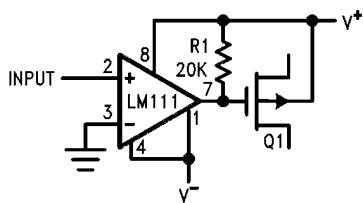
20142024

*Solid tantalum

Typical Applications

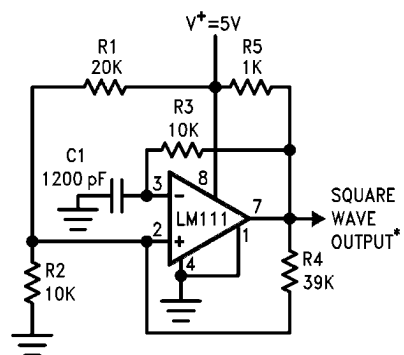
(Pin numbers refer to H08 package)

Zero Crossing Detector Driving MOS Switch



20142013

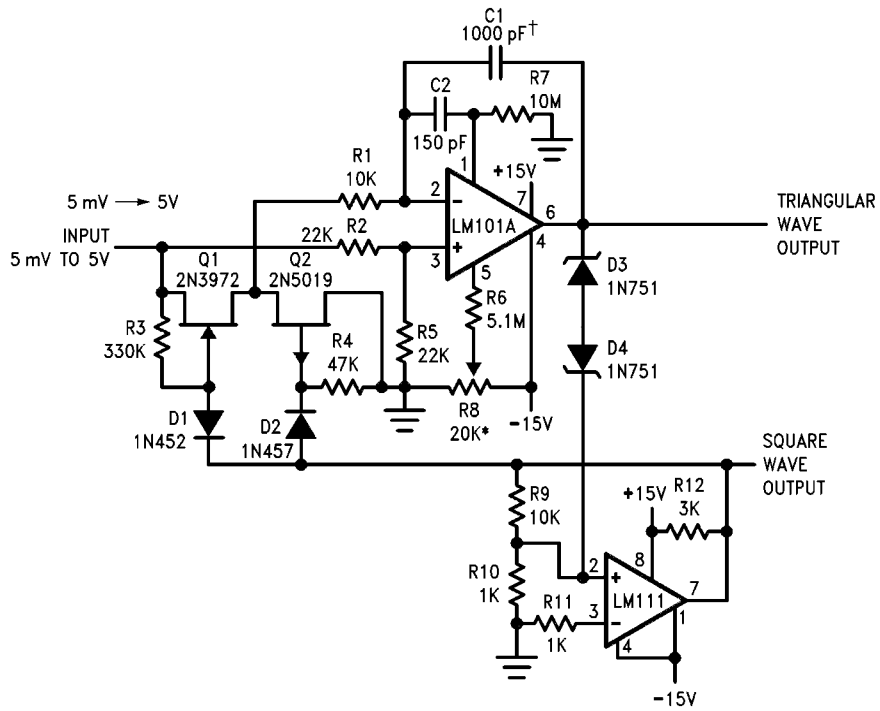
100 kHz Free Running Multivibrator



20142014

*TTL or DTL fanout of two

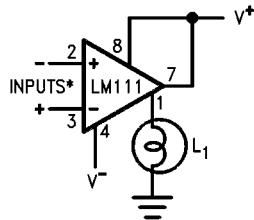
10 Hz to 10 kHz Voltage Controlled Oscillator



20142015

*Adjust for symmetrical square wave time when $V_{IN} = 5 \text{ mV}$
 †Minimum capacitance 20 pF Maximum frequency 50 kHz

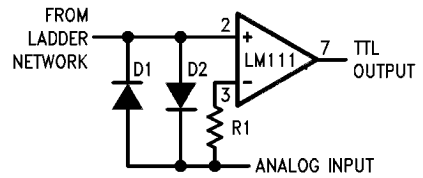
Driving Ground-Referred Load



20142016

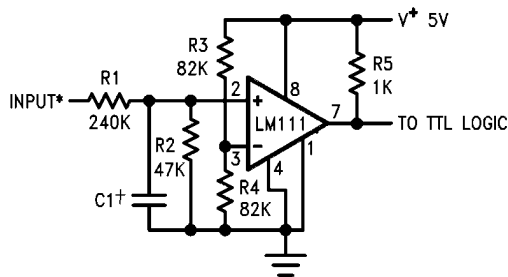
*Input polarity is reversed when using pin 1 as output.

Using Clamp Diodes to Improve Response



20142017

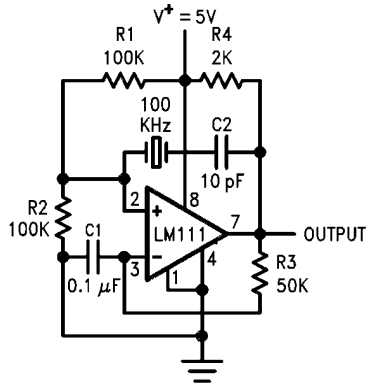
TTL Interface with High Level Logic



20142018

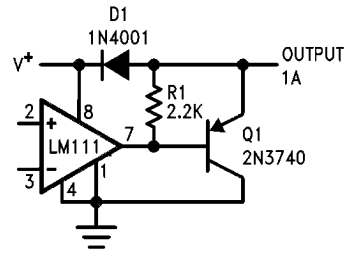
*Values shown are for a 0 to 30V logic swing and a 15V threshold.
 †May be added to control speed and reduce susceptibility to noise spikes.

Crystal Oscillator



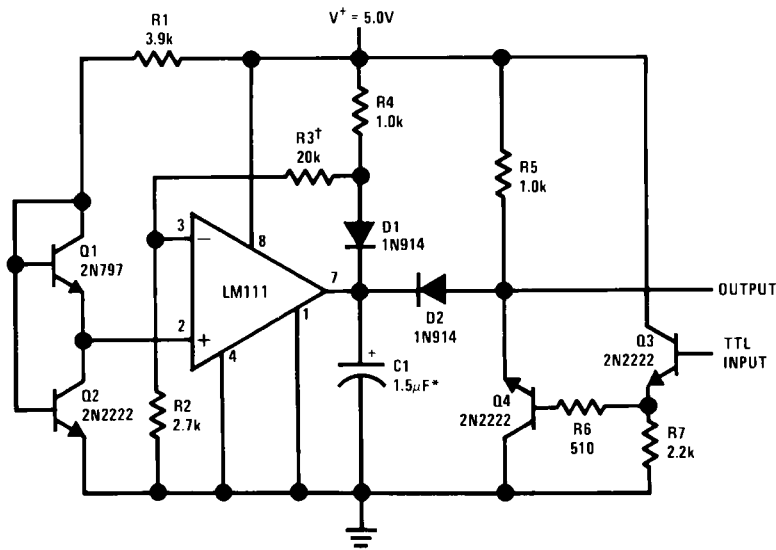
20142019

Comparator and Solenoid Driver



20142020

Precision Squarer

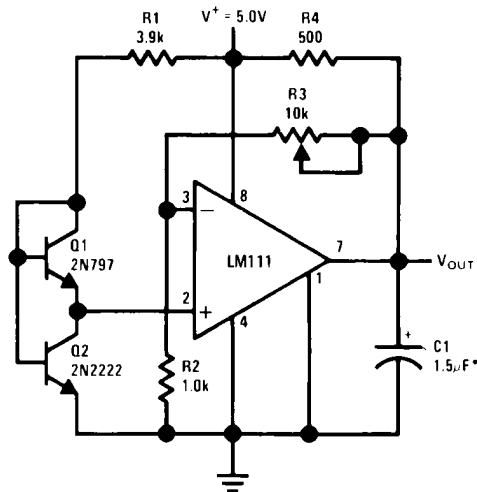


20142021

*Solid tantalum

†Adjust to set clamp level

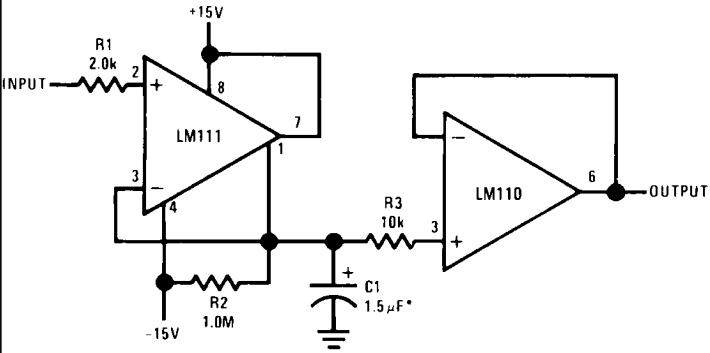
Low Voltage Adjustable Reference Supply



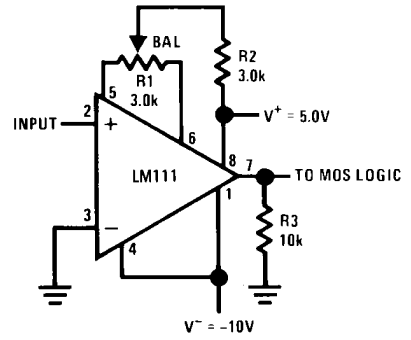
20142022

*Solid tantalum

Positive Peak Detector



Zero Crossing Detector Driving MOS Logic

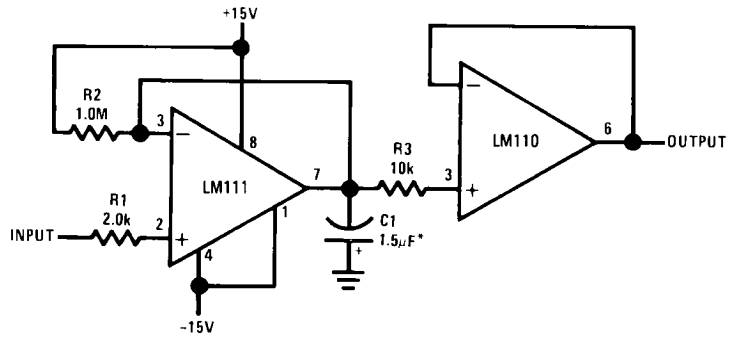


20142023

20142024

*Solid tantalum

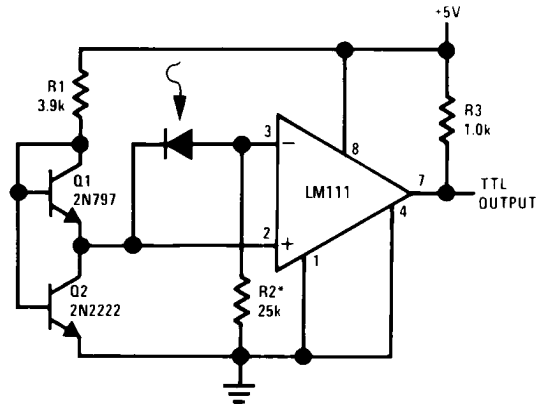
Negative Peak Detector



20142025

*Solid tantalum

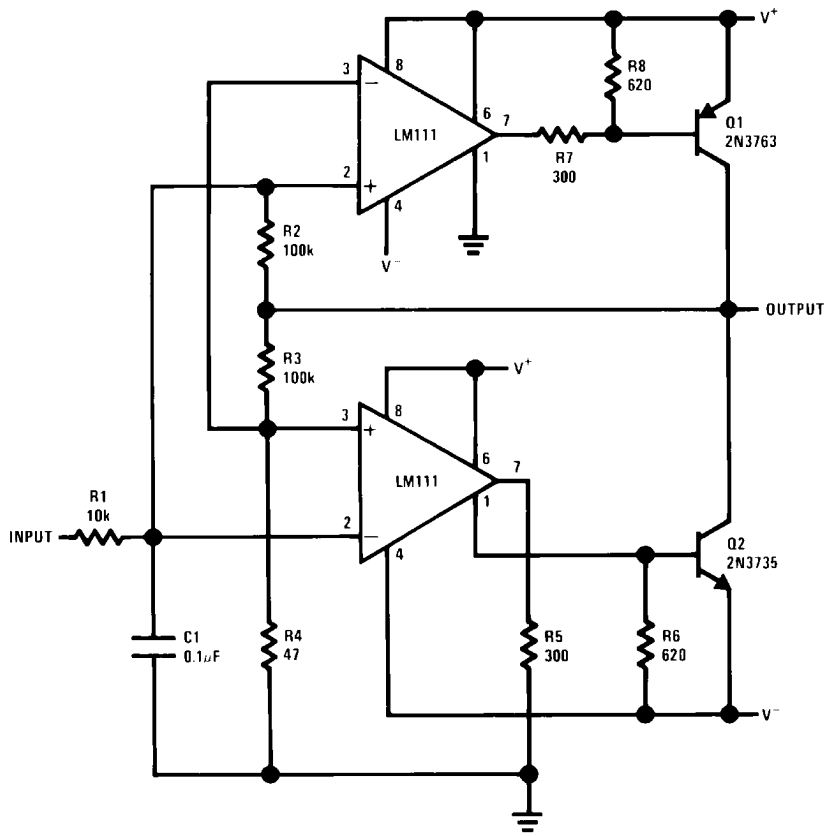
Precision Photodiode Comparator



20142026

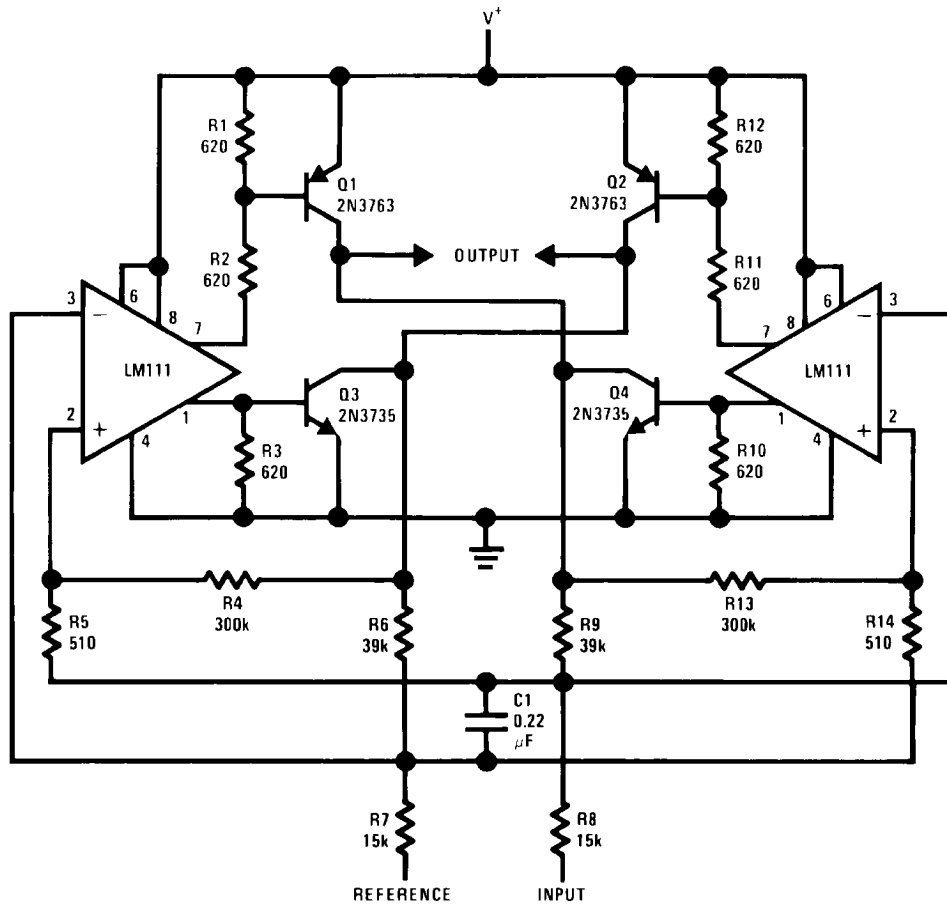
*R2 sets the comparison level. At comparison, the photodiode has less than 5 mV across it, decreasing leakages by an order of magnitude.

Switching Power Amplifier



20142027

Switching Power Amplifier

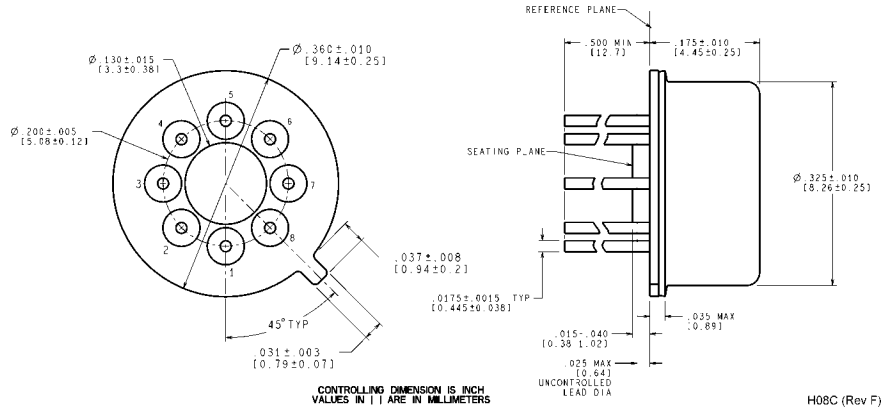


20142028

Revision History Section

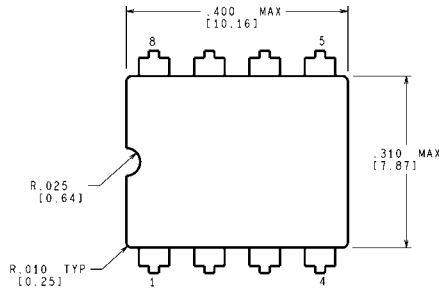
Released	Revision	Section	Originator	Changes
05/09/05	A	New Release, Corporate format	L. Lytle	1 MDS data sheets converted into one Corp. data sheet format. MJLM111-X Rev 0D3 will be archived.

Physical Dimensions inches (millimeters) unless otherwise noted

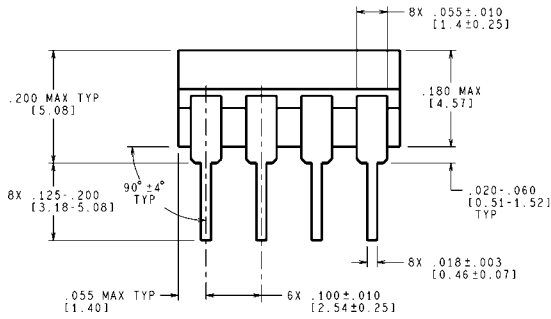


CONTROLLING DIMENSION IS INCH
VALUES IN [] ARE IN MILLIMETERS
Metal Can Package (H)
NS Package Number H08C

H08C (Rev F)

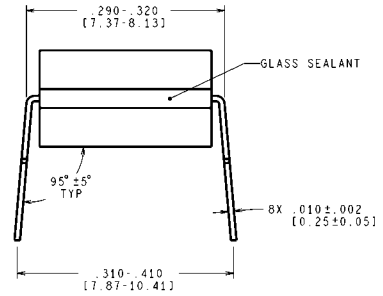


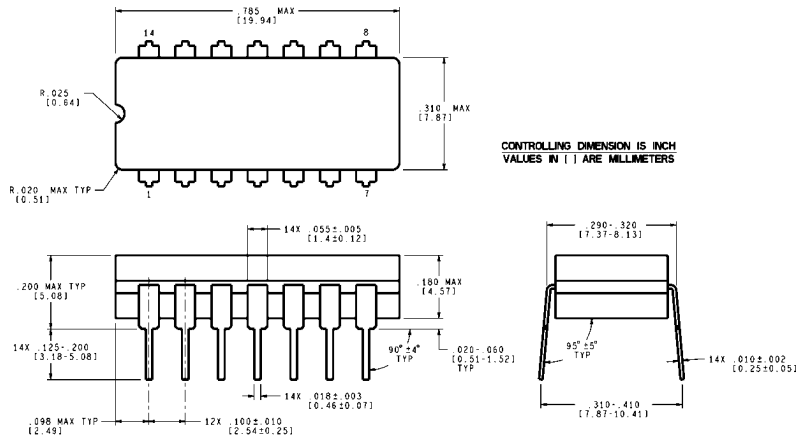
CONTROLLING DIMENSION IS INCH
VALUES IN [] ARE MILLIMETERS



Cavity Dual-In-Line Package (J)
NS Package Number J08A

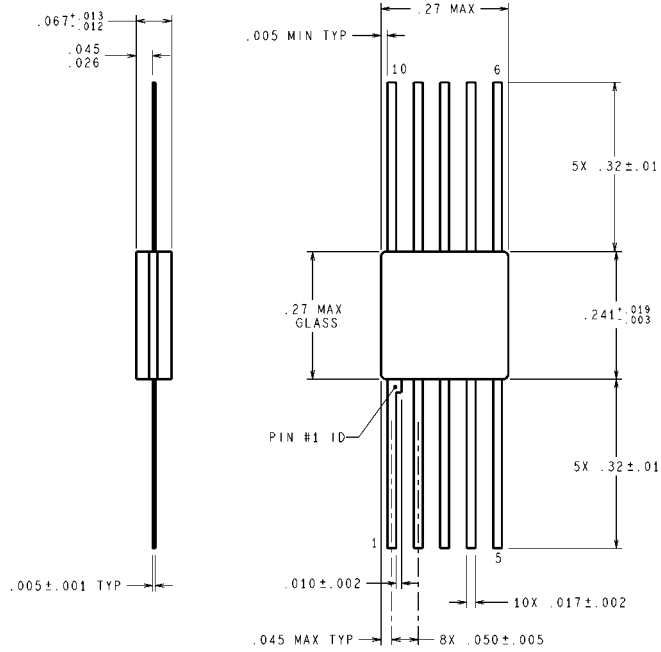
J08A (Rev M)





J14A (Rev J)

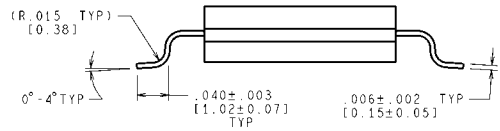
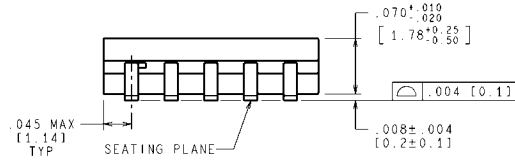
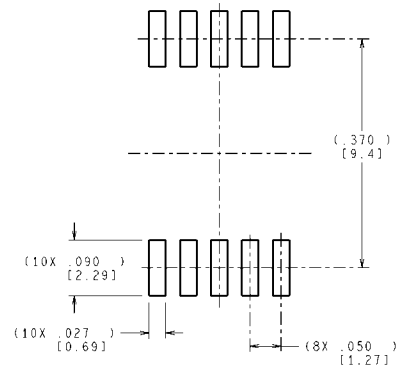
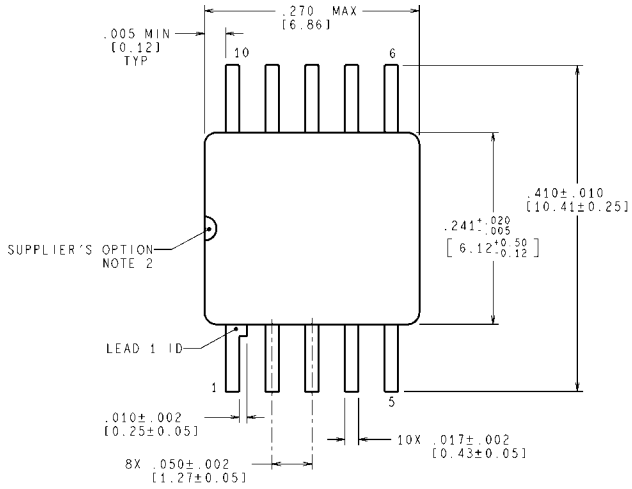
**Dual-In-Line Package (J)
NS Package Number J14A**



DIMENSIONS ARE IN INCHES

W10A (Rev H)

**Cerpack Package (W)
NS Package Number W10A**



MIL-PRF-38535
CONFIGURATION CONTROL

CONTROLLING DIMENSION IS INCH
VALUES IN [] ARE MILLIMETERS
DIMENSIONS IN () FOR REFERENCE ONLY

WG10A (Rev E)

Cerpack Gull Wing Package (WG)
NS Package Number WG10A

Notes

LM111JAN

Notes

For more National Semiconductor product information and proven design tools, visit the following Web sites at:

Products		Design Support	
Amplifiers	www.national.com/amplifiers	WEBENCH	www.national.com/webench
Audio	www.national.com/audio	Analog University	www.national.com/AU
Clock Conditioners	www.national.com/timing	App Notes	www.national.com/appnotes
Data Converters	www.national.com/adc	Distributors	www.national.com/contacts
Displays	www.national.com/displays	Green Compliance	www.national.com/quality/green
Ethernet	www.national.com/ethernet	Packaging	www.national.com/packaging
Interface	www.national.com/interface	Quality and Reliability	www.national.com/quality
LVDS	www.national.com/lvds	Reference Designs	www.national.com/refdesigns
Power Management	www.national.com/power	Feedback	www.national.com/feedback
Switching Regulators	www.national.com/switchers		
LDOs	www.national.com/lido		
LED Lighting	www.national.com/led		
PowerWise	www.national.com/powerwise		
Serial Digital Interface (SDI)	www.national.com/sdi		
Temperature Sensors	www.national.com/tempsensors		
Wireless (PLL/VCO)	www.national.com/wireless		

THE CONTENTS OF THIS DOCUMENT ARE PROVIDED IN CONNECTION WITH NATIONAL SEMICONDUCTOR CORPORATION ("NATIONAL") PRODUCTS. NATIONAL MAKES NO REPRESENTATIONS OR WARRANTIES WITH RESPECT TO THE ACCURACY OR COMPLETENESS OF THE CONTENTS OF THIS PUBLICATION AND RESERVES THE RIGHT TO MAKE CHANGES TO SPECIFICATIONS AND PRODUCT DESCRIPTIONS AT ANY TIME WITHOUT NOTICE. NO LICENSE, WHETHER EXPRESS, IMPLIED, ARISING BY ESTOPPEL OR OTHERWISE, TO ANY INTELLECTUAL PROPERTY RIGHTS IS GRANTED BY THIS DOCUMENT.

TESTING AND OTHER QUALITY CONTROLS ARE USED TO THE EXTENT NATIONAL DEEMS NECESSARY TO SUPPORT NATIONAL'S PRODUCT WARRANTY. EXCEPT WHERE MANDATED BY GOVERNMENT REQUIREMENTS, TESTING OF ALL PARAMETERS OF EACH PRODUCT IS NOT NECESSARILY PERFORMED. NATIONAL ASSUMES NO LIABILITY FOR APPLICATIONS ASSISTANCE OR BUYER PRODUCT DESIGN. BUYERS ARE RESPONSIBLE FOR THEIR PRODUCTS AND APPLICATIONS USING NATIONAL COMPONENTS. PRIOR TO USING OR DISTRIBUTING ANY PRODUCTS THAT INCLUDE NATIONAL COMPONENTS, BUYERS SHOULD PROVIDE ADEQUATE DESIGN, TESTING AND OPERATING SAFEGUARDS.

EXCEPT AS PROVIDED IN NATIONAL'S TERMS AND CONDITIONS OF SALE FOR SUCH PRODUCTS, NATIONAL ASSUMES NO LIABILITY WHATSOEVER, AND NATIONAL DISCLAIMS ANY EXPRESS OR IMPLIED WARRANTY RELATING TO THE SALE AND/OR USE OF NATIONAL PRODUCTS INCLUDING LIABILITY OR WARRANTIES RELATING TO FITNESS FOR A PARTICULAR PURPOSE, MERCHANTABILITY, OR INFRINGEMENT OF ANY PATENT, COPYRIGHT OR OTHER INTELLECTUAL PROPERTY RIGHT.

LIFE SUPPORT POLICY

NATIONAL'S PRODUCTS ARE NOT AUTHORIZED FOR USE AS CRITICAL COMPONENTS IN LIFE SUPPORT DEVICES OR SYSTEMS WITHOUT THE EXPRESS PRIOR WRITTEN APPROVAL OF THE CHIEF EXECUTIVE OFFICER AND GENERAL COUNSEL OF NATIONAL SEMICONDUCTOR CORPORATION. As used herein:

Life support devices or systems are devices which (a) are intended for surgical implant into the body, or (b) support or sustain life and whose failure to perform when properly used in accordance with instructions for use provided in the labeling can be reasonably expected to result in a significant injury to the user. A critical component is any component in a life support device or system whose failure to perform can be reasonably expected to cause the failure of the life support device or system or to affect its safety or effectiveness.

National Semiconductor and the National Semiconductor logo are registered trademarks of National Semiconductor Corporation. All other brand or product names may be trademarks or registered trademarks of their respective holders.

Copyright© 2008 National Semiconductor Corporation

For the most current product information visit us at www.national.com



**National Semiconductor
Americas Technical
Support Center**
Email:
new.feedback@nsc.com
Tel: 1-800-272-9959

**National Semiconductor Europe
Technical Support Center**
Email: europe.support@nsc.com
German Tel: +49 (0) 180 5010 771
English Tel: +44 (0) 870 850 4288

**National Semiconductor Asia
Pacific Technical Support Center**
Email: ap.support@nsc.com

**National Semiconductor Japan
Technical Support Center**
Email: jpn.feedback@nsc.com