

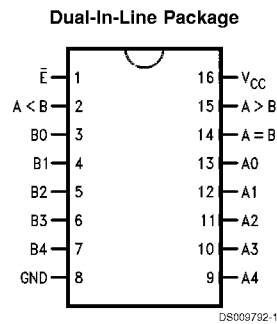
9324/DM9324 5-Bit Comparator

General Description

The 9324 expandable comparators provide comparison between two 5-bit words and give three outputs—"less than",

"greater than" and "equal to". A HIGH on the active LOW Enable Input forces all three outputs LOW.

Connection Diagram



Order Number 9324DMQB, 9324FMQB, or DM9324N
See Package Number J16A, N16E or W16A

Pin Names	Description
\bar{E}	Enable Input (Active LOW)
A0–A4	Word A Parallel Inputs
B0–B4	Word B Parallel Inputs
A < B	A Less than B Output (Active HIGH)
A > B	A Greater than B Output (Active HIGH)
A = B	A Equal to B Output (Active HIGH)

Absolute Maximum Ratings (Note 1)

Supply Voltage	7V	Military	-55°C to +125°C
Input Voltage	5.5V	Commercial	0°C to +70°C
Operating Free Air Temperature Range		Storage Temperature Range	-65°C to +150°C

Recommended Operating Conditions

Symbol	Parameter	Military			Commercial			Units
		Min	Nom	Max	Min	Nom	Max	
V _{CC}	Supply Voltage	4.5	5	5.5	4.75	5	5.25	V
V _{IH}	High Level Input Voltage	2			2			V
V _{IL}	Low Level Input Voltage			0.8			0.8	V
I _{OH}	High Level Output Current			-0.8			-0.8	mA
I _{OL}	Low Level Output Current			16			16	mA
T _A	Free Air Operating Temperature	-55		125	0		70	°C

Note 1: The "Absolute Maximum Ratings" are those values beyond which the safety of the device cannot be guaranteed. The device should not be operated at these limits. The parametric values defined in the "Electrical Characteristics" table are not guaranteed at the absolute maximum ratings. The "Recommended Operating Conditions" table will define the conditions for actual device operation.

Electrical Characteristics

Over recommended operating free air temperature range (unless otherwise noted)

Symbol	Parameter	Conditions	Min	Typ (Note 2)	Max	Units
V _I	Input Clamp Voltage	V _{CC} = Min, I _I = -12 mA			-1.5	V
V _{OH}	High Level Output Voltage	V _{CC} = Min, I _{OH} = Max V _{IL} = Max	2.4	3.4		V
V _{OL}	Low Level Output Voltage	V _{CC} = Min, I _{OL} = Max V _{IH} = Min		0.2	0.4	V
I _I	Input Current @ Max Input Voltage	V _{CC} = Max, V _I = 5.5V			1	mA
I _{IH}	High Level Input Current	V _{CC} = Max, V _I = 2.4V			80	µA
I _{IL}	Low Level Input Current	V _{CC} = Max, V _I = 0.4V			-3.2	mA
I _{OS}	Short Circuit Output Current	V _{CC} = Max (Note 3)	MIL -20 COM -20		-70 -70	mA
I _{CC}	Supply Current	V _{CC} = Max			81	mA

Note 2: All typicals are at V_{CC} = 5V, T_A = 25°C.

Note 3: Not more than one output should be shorted at a time.

Switching Characteristics

$V_{CC} = +5.0V$, $T_A = +25^\circ C$ (See Section 1 for waveforms and load configurations)

Symbol	Parameter	$C_L = 15 \text{ pF}$		Units
		Min	Max	
t_{PLH} t_{PHL}	Propagation Delay \bar{E} to $A = B$		14	ns
t_{PLH} t_{PHL}	Propagation Delay A_n, B_n to $A > B$		25 22	ns
t_{PLH} t_{PHL}	Propagation Delay A_n, B_n to $A < B$		26 21	ns
t_{PLH} t_{PHL}	Propagation Delay A_n, B_n to $A = B$		30 32	ns

Functional Description

The '24 5-bit comparators use combinational circuitry to directly generate "A greater than B" and "A less than B" outputs. As evident from the logic diagram, these outputs are generated in only three gate delays. The "A equals B" output is generated in one additional gate delay by decoding the "A neither less than nor greater than B" condition with a NOR gate. All three outputs are activated by the active LOW Enable Input (\bar{E}).

Tying the $A > B$ output from one device into an A input on another device and the $A < B$ output into the corresponding B input permits easy expansion.

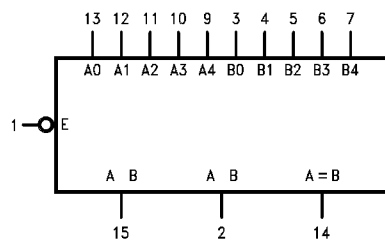
The A_4 and B_4 inputs are the most significant inputs and A_0 , B_0 the least significant. Thus if A_4 is HIGH and B_4 is LOW, the $A > B$ output will be HIGH regardless of all other inputs except \bar{E} .

Truth Table

Inputs			Outputs		
\bar{E}	A_n	B_n	$A < B$	$A > B$	$A = B$
H	X	X	L	L	L
L	Word A = Word B		L	L	H
L	Word A > Word B		L	H	L
L	Word B > Word A		H	L	L

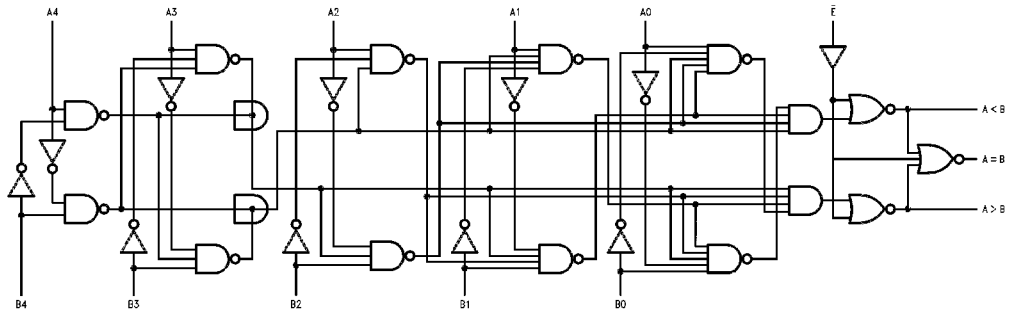
H = HIGH Voltage Level
L = LOW Voltage Level
X = Immaterial

Logic Symbol

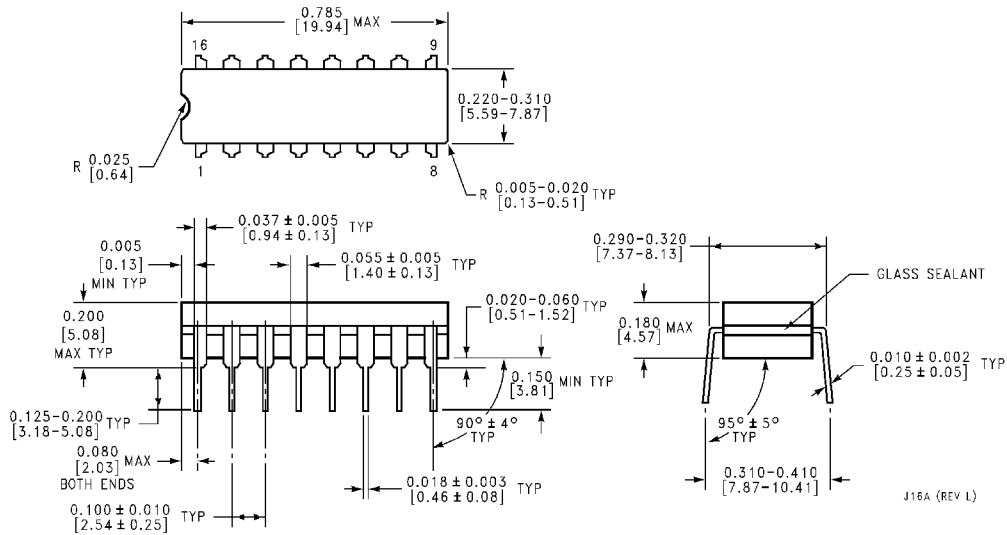


V_{CC} = Pin 16
GND = Pin 6

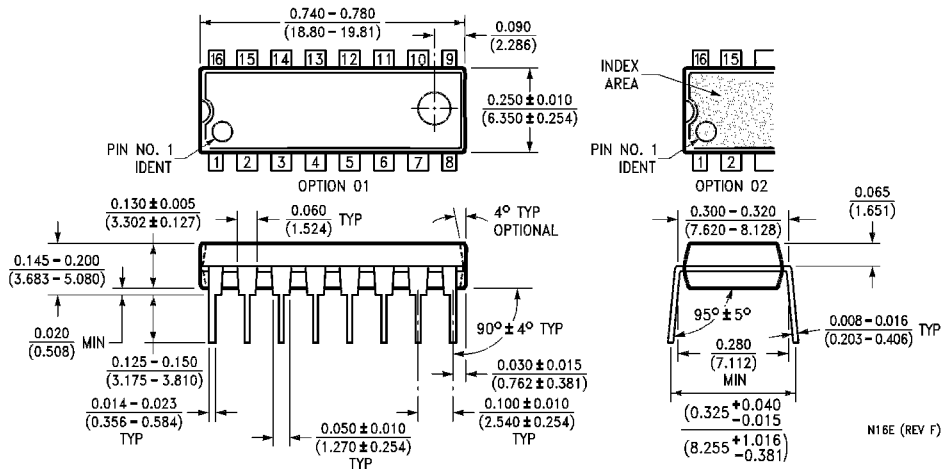
Logic Diagram



Physical Dimensions inches (millimeters) unless otherwise noted

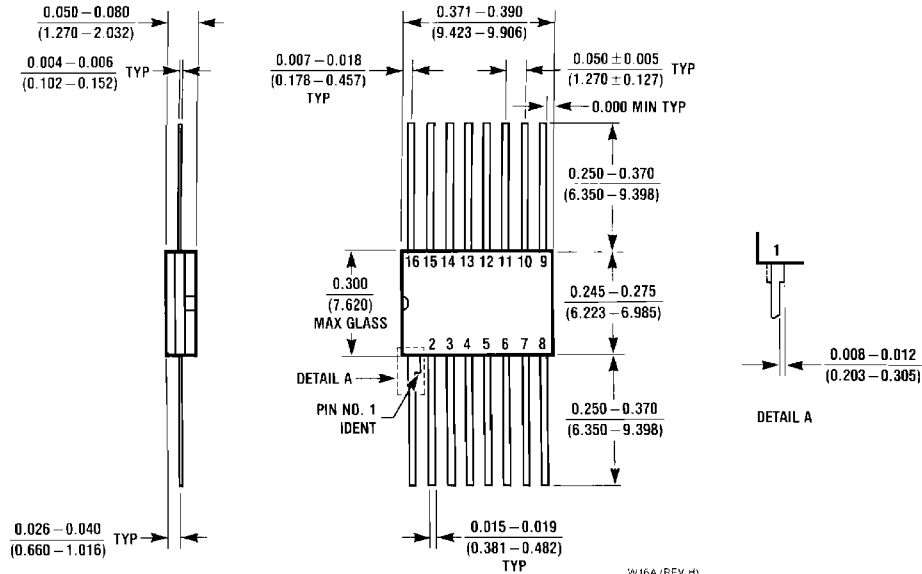


16-Lead Ceramic Dual-In-Line Package (J)
Order Number 9324DMQB
Package Number J16A



16-Lead Molded Dual-In-Line Package (N)
Order Number DM9324N
Package Number N16E

Physical Dimensions inches (millimeters) unless otherwise noted (Continued)



16-Lead Ceramic Flat Package (W)
Order Number 9324FMQB
Package Number W16A

W16A (REV H)

LIFE SUPPORT POLICY

FAIRCHILD'S PRODUCTS ARE NOT AUTHORIZED FOR USE AS CRITICAL COMPONENTS IN LIFE SUPPORT DEVICES OR SYSTEMS WITHOUT THE EXPRESS WRITTEN APPROVAL OF THE PRESIDENT OF FAIRCHILD SEMICONDUCTOR CORPORATION. As used herein:

1. Life support devices or systems are devices or systems which, (a) are intended for surgical implant into the body, or (b) support or sustain life, and (c) whose failure to perform when properly used in accordance with instructions for use provided in the labeling, can be reasonably expected to result in a significant injury to the user.
2. A critical component in any component of a life support device or system whose failure to perform can be reasonably expected to cause the failure of the life support device or system, or to affect its safety or effectiveness.

Fairchild Semiconductor Corporation
 Americas
 Customer Response Center
 Tel: 1-888-522-5372

Fairchild Semiconductor Europe
 Fax: +49 (0) 1 80-530 85 86
 Email: europe.support@nsc.com
 Deutsch Tel: +49 (0) 8 141-35-0
 English Tel: +44 (0) 1 793-85-68-56
 Italy Tel: +39 (0) 2 57 5631

Fairchild Semiconductor Hong Kong Ltd.
 13th Floor, Straight Block,
 Ocean Centre, 5 Canton Rd.
 Tsimshatsui, Kowloon
 Hong Kong
 Tel: +852 2737-7200
 Fax: +852 2314-0061

National Semiconductor Japan Ltd.
 Tel: 81-3-5620-6175
 Fax: 81-3-5620-6179

www.fairchildsemi.com