



## MM54HC181/MM74HC181 Arithmetic Logic Units/Function Generators

### General Description

These arithmetic logic units (ALU)/function generators utilize advanced silicon-gate CMOS technology. They possess the high noise immunity and low power consumption of standard CMOS integrated circuits, as well as the ability to drive 10 LS-TTL loads.

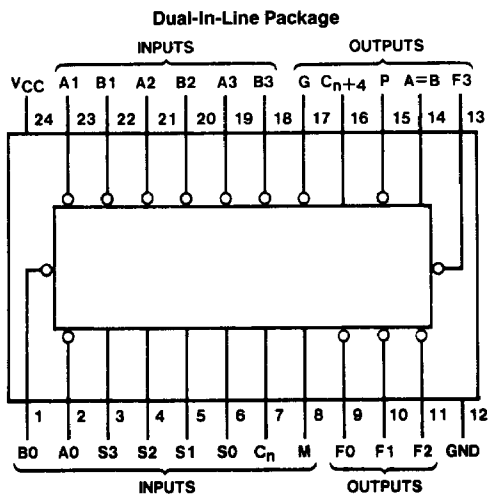
The MM54HC181/MM74HC181 are arithmetic logic unit (ALU)/function generators that have a complexity of 75 equivalent gates on a monolithic chip. These circuits perform 16 binary arithmetic operations on two 4-bit words as shown in Tables 1 and 2. These operations are selected by the four function-select lines (S0, S1, S2, S3) and include addition, subtraction, decrement, and straight transfer. When performing arithmetic manipulations, the internal carries must be enabled by applying a low-level voltage to the mode control input (M). A full carry look-ahead scheme is made available in these devices for fast, simultaneous carry generation by means of two cascade-outputs (pins 15 and 17) for the four bits in the package. When used in conjunction with the MM54HC182 or MM74HC182, full carry look-ahead circuits, high-speed arithmetic operations can be performed. The method of cascading HC182 circuits with these ALU's to provide multi-level full carry look-ahead is illustrated under typical applications data for the MM54HC182/MM74HC182.

If high speed is not of importance, a ripple-carry input ( $C_n$ ) and a ripple-carry output ( $C_{n+4}$ ) are available. However, the ripple-carry delay has also been minimized so that arithmetic manipulations for small word lengths can be performed without external circuitry.

### Features

- Full look-ahead for high-speed operations on long words
- Arithmetic operating modes:
  - Addition
  - Subtraction
  - Shift operand a one position magnitude comparison
  - Plus twelve other arithmetic operations
- Logic function modes:
  - Exclusive-OR
  - Comparator
  - AND, NAND, OR, NOR
  - Plus ten other logic operations
- Wide operating voltage range: 2V–6V
- Low input current: 1  $\mu$ A maximum
- Low quiescent current: 80  $\mu$ A maximum

### Connection Diagram



Top View

TL/F/5320-1

Order Number MM54HC181\* or MM74HC181\*

\*Please look into Section 8, Appendix D for availability of various package types.

### Pin Designations

Designation	Pin Nos.	Function
A3, A2, A1, A0	19, 21, 23, 2	Word A Inputs
B3, B2, B1, B0	18, 20, 22, 1	Word B Inputs
S3, S2, S1, S0	3, 4, 5, 6	Function-Select Inputs
$C_n$	7	Inv. Carry Input
M	8	Mode Control Input
F3, F2, F1, F0	13, 11, 10, 9	Function Outputs
A = B	14	Comparator Outputs
P	15	Carry Propagate Output
$C_{n+4}$	16	Inv. Carry Output
G	17	Carry Generate Output
VCC	24	Supply Voltage
GND	12	Ground

## General Description (Continued)

These circuits will accommodate active-high or active-low data, if the pin designations are interpreted as shown below. Subtraction is accomplished by 1's complement addition where the 1's complement of the subtrahend is generated internally. The resultant output is  $A-B-1$ , which requires an end-around or forced carry to produce  $A-B$ .

The 181 can also be utilized as a comparator. The  $A=B$  output is internally decoded from the function outputs (F0, F1, F2, F3) so that when two words of equal magnitude are applied at the A and B inputs, it will assume a high level to indicate equality ( $A=B$ ). The ALU should be in the subtract mode with  $C_n=H$  when performing this comparison. The  $A=B$  output is open-drain so that it can be wire-AND connected to give a comparison for more than four bits. The carry output ( $C_{n+4}$ ) can also be used to supply relative magnitude information. Again, the ALU should be placed in the subtract mode by placing the function select inputs S3, S2, S1, S0 at L, H, H, L, respectively.

These circuits have been designed to not only incorporate all of the designer's requirements for arithmetic operations,

but also to provide 16 possible functions of two Boolean variables without the use of external circuitry. These logic functions are selected by use of the four function-select inputs (S0, S1, S2, S3) with the mode-control input (M) at a high level to disable the internal carry. The 16 logic functions are detailed in Tables 1 and 2 and include exclusive-OR, NAND, AND, NOR, and OR functions.

### ALU SIGNAL DESIGNATIONS

The MM54HC181/MM74HC181 can be used with the signal designations of either *Figure 1* or *Figure 2*.

The logic functions and arithmetic operations obtained with signal designations as in *Figure 1* are given in Table 1; those obtained with the signal designations of *Figure 2* are given in Table 2.

The 54HC/74HC logic family is speed, function, and pinout compatible with the standard 54LS/74LS logic family. All inputs are protected from damage due to static discharge by internal diode clamps to  $V_{CC}$  and ground.

Pin Number	2	1	23	22	21	20	19	18	9	10	11	13	7	16	15	17
Active-High Data (Table 1)	A0	B0	A1	B1	A2	B2	A3	B3	F0	F1	F2	F3	$\bar{C}_n$	$\bar{C}_{n+4}$	X	Y
Active-Low Data (Table 1)	$\bar{A}0$	$\bar{B}0$	$\bar{A}1$	$\bar{B}1$	$\bar{A}2$	$\bar{B}2$	$\bar{A}3$	$\bar{B}3$	$\bar{F}0$	$\bar{F}1$	$\bar{F}2$	$\bar{F}3$	$C_n$	$C_{n+4}$	$\bar{P}$	$\bar{G}$

Input $C_n$	Output $C_{n+4}$	Active-High Data (Figure 1)	Active-Low Data (Figure 2)
H	H	$A \leq B$	$A \geq B$
H	L	$A > B$	$A < B$
L	H	$A < B$	$A > B$
L	L	$A \geq B$	$A \leq B$

Table 1

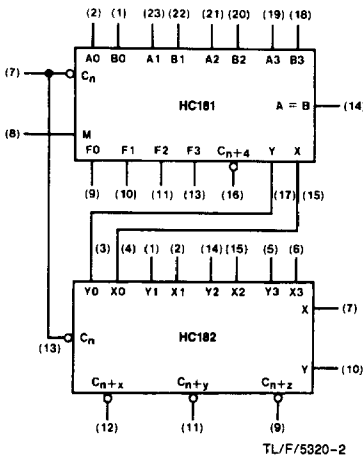
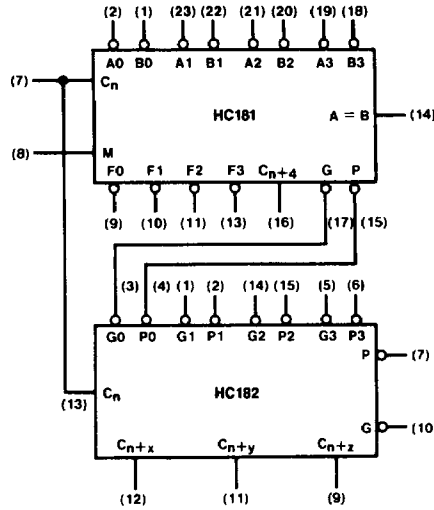


FIGURE 1

Selection	Active High Data					
	M = H Logic Functions	M = L; Arithmetic Operations				
		$C_n = H$ (no carry)		$C_n = L$ (with carry)		
S3 S2 S1 S0						
L L L L	$F = \bar{A}$	$F = A$	$F = A$ Plus 1			
L L L H	$F = \bar{A} + \bar{B}$	$F = A + B$	$F = (A + B)$ Plus 1			
L L H L	$F = \bar{A}B$	$F = A + \bar{B}$	$F = (A + \bar{B})$ Plus 1			
L L H H	$F = 0$	$F = \text{Minus 1 (2's Compl)}$	$F = \text{Zero}$			
L H L L	$F = \bar{A}\bar{B}$	$F = A$ Plus $\bar{A}\bar{B}$	$F = A$ Plus $\bar{A}\bar{B}$ Plus 1			
L H L H	$F = \bar{B}$	$F = (A + B)$ Plus $\bar{A}\bar{B}$	$F = (A + B)$ Plus $\bar{A}\bar{B}$ Plus 1			
L H H L	$F = A \oplus B$	$F = A$ Minus B Minus 1	$F = A$ Minus B			
L H H H	$F = \bar{A}\bar{B}$	$F = \bar{A}\bar{B}$ Minus 1	$F = \bar{A}\bar{B}$			
H L L L	$F = \bar{A} + B$	$F = A$ Plus AB	$F = A$ Plus AB Plus 1			
H L L H	$F = \bar{A} \oplus \bar{B}$	$F = A$ Plus B	$F = A$ Plus B Plus 1			
H L H L	$F = B$	$F = (A + \bar{B})$ Plus AB	$F = (A + \bar{B})$ Plus AB Plus 1			
H L H H	$F = AB$	$F = AB$ Minus 1	$F = AB$			
H H L L	$F = 1$	$F = A$ Plus $A^*$	$F = A$ Plus A Plus 1			
H H L H	$F = A + \bar{B}$	$F = (A + B)$ Plus A	$F = (A + B)$ Plus A Plus 1			
H H H L	$F = A + B$	$F = (A + \bar{B})$ Plus A	$F = (A + \bar{B})$ Plus A Plus 1			
H H H H	$F = A$	$F = A$ Minus 1	$F = A$			

\*Each bit is shifted to the next more significant position.

General Description (Continued)



TL/F/5320-3

FIGURE 2

Table II

Selection					Active Low Data		
					M = H Logic Functions	M = L; Arithmetic Operations	
S3	S2	S1	S0			C <sub>n</sub> = L (no carry)	C <sub>n</sub> = H (with carry)
L	L	L	L	$F = \bar{A}$	$F = A$ Minus 1	$F = A$	
L	L	L	H	$F = \bar{A}\bar{B}$	$F = AB$ Minus 1	$F = AB$	
L	L	H	L	$F = \bar{A} + B$	$F = \bar{A}\bar{B}$ Minus 1	$F = (\bar{A}\bar{B})$	
L	L	H	H	$F = 1$	$F = \text{Minus 1 (2's Compl)}$	$F = \text{Zero}$	
L	H	L	L	$F = \bar{A} + \bar{B}$	$F = A$ Plus $(A + \bar{B})$	$F = A$ Plus $(A + \bar{B})$ Plus 1	
L	H	L	H	$F = \bar{B}$	$F = AB$ Plus $(A + B)$	$F = AB$ Plus $(A + \bar{B})$ Plus 1	
L	H	H	L	$F = \bar{A} + B$	$F = A$ Minus $B$ Minus 1	$F = A$ Minus $B$	
L	H	H	H	$F = A + \bar{B}$	$F = A + \bar{B}$	$F = (A + \bar{B})$ Plus 1	
H	L	L	L	$F = \bar{A}\bar{B}$	$F = A$ Plus $(A + B)$	$F = A$ Plus $(A + B)$ Plus 1	
H	L	L	H	$F = A + B$	$F = A$ Plus $B$	$F = A$ Plus $B$ Plus 1	
H	L	H	L	$F = B$	$F = \bar{A}\bar{B}$ Plus $(A + B)$	$F = \bar{A}\bar{B}$ Plus $(A + B)$ Plus 1	
H	L	H	H	$F = A + B$	$F = A + B$	$F = (A + B)$ Plus 1	
H	H	L	L	$F = 0$	$F = A$ Plus $A^*$	$F = A$ Plus $A$ Plus 1	
H	H	L	H	$F = \bar{A}\bar{B}$	$F = AB$ Plus $A$	$F = AB$ Plus $A$ Plus 1	
H	H	H	L	$F = AB$	$F = \bar{A}\bar{B}$ Plus $A$	$F = \bar{A}\bar{B}$ Plus $A$ Plus 1	
H	H	H	H	$F = A$	$F = A$	$F = A$ Plus 1	

\*Each bit is shifted to the next more significant position.

Number of Bits	Typical Addition Times	Package Count		Carry Method Between ALU's
		Arithmetic/Logic Units	Look Ahead Carry Generators	
1 to 4	20 ns	1	0	None
5 to 8	30 ns	2	0	Ripple
9 to 16	30 ns	3 or 4	1	Full Look-Ahead
17 to 64	50 ns	5 to 16	2 to 5	Full Look-Ahead

### Absolute Maximum Ratings (Notes 1 & 2)

If Military/Aerospace specified devices are required, contact the National Semiconductor Sales Office/Distributors for availability and specifications.

Supply Voltage ( $V_{CC}$ )	-0.5 to +7.0V
DC Input Voltage ( $V_{IN}$ )	-1.5 to $V_{CC} + 1.5V$
DC Output Voltage ( $V_{OUT}$ )	-0.5 to $V_{CC} + 0.5V$
Clamp Diode Current ( $I_{IK}, I_{OK}$ )	$\pm 20$ mA
DC Output Current, per pin ( $I_{OUT}$ )	$\pm 25$ mA
DC $V_{CC}$ or GND Current, per pin ( $I_{CC}$ )	$\pm 50$ mA
Storage Temperature Range ( $T_{STG}$ )	-65°C to +150°C
Power Dissipation ( $P_D$ )	
(Note 3)	600 mW
S.O. Package only	500 mW
Lead Temperature ( $T_L$ )	
(Soldering 10 seconds)	260°C

### Operating Conditions

	Min	Max	Units
Supply Voltage ( $V_{CC}$ )	2	6	V
DC Input or Output Voltage ( $V_{IN}, V_{OUT}$ )	0	$V_{CC}$	V
Operating Temp. Range ( $T_A$ )			
MM74HC	-40	+85	°C
MM54HC	-55	+125	°C
Input Rise or Fall Times ( $t_r, t_f$ )			
$V_{CC} = 2.0V$		1000	ns
$V_{CC} = 4.5V$		500	ns
$V_{CC} = 6.0V$		400	ns

### DC Electrical Characteristics (Note 4)

Symbol	Parameter	Conditions	$V_{CC}$	$T_A = 25^\circ C$		74HC $T_A = -40$ to $85^\circ C$		54HC $T_A = -55$ to $125^\circ C$		Units
				Typ	Guaranteed Limits					
$V_{IH}$	Minimum High Level Input Voltage		2.0V		1.5	1.5	1.5		V	
			4.5V		3.15	3.15	3.15	V		
			6.0V		4.2	4.2	4.2	V		
$V_{IL}$	Maximum Low Level Input Voltage**		2.0V		0.5	0.5	0.5	V		
			4.5V		1.35	1.35	1.35	V		
			6.0V		1.8	1.8	1.8	V		
$V_{OH}$	Minimum High Level Output Voltage (any output except A = B)	$V_{IN} = V_{IH}$ or $V_{IL}$ $ I_{OUT}  \leq 20 \mu A$	2.0V	2.0	1.9	1.9	1.9	V		
			4.5V	4.5	4.4	4.4	4.4	V		
			6.0V	6.0	5.9	5.9	5.9	V		
		$V_{IN} = V_{IH}$ or $V_{IL}$ $ I_{OUT}  \leq 4.0$ mA $ I_{OUT}  \leq 5.2$ mA	4.5V	4.2	3.98	3.84	3.7	V		
			6.0V	5.7	5.48	5.34	5.2	V		
$I_{LKG}$	Maximum Leakage Open Drain Output Current (A = B Output)	$V_{IN} = V_{IH}$ or $V_{IL}$ $V_{OUT} = V_{CC}$	6.0V		0.5	5.0	10	$\mu A$		
$V_{OL}$	Maximum Low Level Output Voltage	$V_{IN} = V_{IH}$ or $V_{IL}$ $ I_{OUT}  \leq 20 \mu A$	2.0V	0	0.1	0.1	0.1	V		
			4.5V	0	0.1	0.1	0.1	V		
			6.0V	0	0.1	0.1	0.1	V		
		$V_{IN} = V_{IH}$ or $V_{IL}$ $ I_{OUT}  \leq 4.0$ mA $ I_{OUT}  \leq 5.2$ mA	4.5V	0.2	0.26	0.33	0.4	V		
			6.0V	0.2	0.26	0.33	0.4	V		
$I_{IN}$	Maximum Input Current	$V_{IN} = V_{CC}$ or GND	6.0V		$\pm 0.1$	$\pm 1.0$	$\pm 1.0$	$\mu A$		
$I_{CC}$	Maximum Quiescent Supply Current	$V_{IN} = V_{CC}$ or GND $I_{OUT} = 0 \mu A$	6.0V		8.0	80	160	$\mu A$		

**Note 1:** Absolute Maximum Ratings are those values beyond which damage to the device may occur.

**Note 2:** Unless otherwise specified all voltages are referenced to ground.

**Note 3:** Power Dissipation temperature derating — plastic "N" package: -12 mW/°C from 65°C to 85°C; ceramic "J" package: -12 mW/°C from 100°C to 125°C.

**Note 4:** For a power supply of 5V  $\pm 10\%$  the worst case output voltages ( $V_{OH}$ , and  $V_{OL}$ ) occur for HC at 4.5V. Thus the 4.5V values should be used when designing with this supply. Worst case  $V_{IH}$  and  $V_{IL}$  occur at  $V_{CC} = 5.5V$  and 4.5V respectively. (The  $V_{IH}$  value at 5.5V is 3.85V.) The worst case leakage current ( $I_{IN}$ ,  $I_{CC}$ , and  $I_{OZ}$ ) occur for CMOS at the higher voltage and so the 6.0V values should be used.

\*\*  $V_{IL}$  limits are currently tested at 20% of  $V_{CC}$ . The above  $V_{IL}$  specification (30% of  $V_{CC}$ ) will be implemented no later than Q1, CY'89.

**AC Electrical Characteristics**  $V_{CC} = 5V, T_A = 25^\circ C, C_L = 15 pF, t_r = t_f = 6 ns$ 

Symbol	Parameter	Conditions	Typ	Guaranteed Limit	Units
$t_{PHL}, t_{PLH}$	Maximum Propagation Delay from $C_N$ to $C_{N+4}$		13	20	ns
$t_{PHL}, t_{PLH}$	Maximum Propagation Delay from any A or B to $C_{N+4}$	$M = 0V, S0 = S3 = V_{CC}$ $S1 = S2 = 0V$ (Sum mode)	30	45	ns
$t_{PHL}, t_{PLH}$	Maximum Propagation Delay from any A or B to $C_{N+4}$	$M = 0V, S0 = S3 = 0V$ $S1 = S2 = V_{CC}$ (Diff. mode)	30	45	ns
$t_{PHL}, t_{PLH}$	Maximum Propagation Delay from $C_N$ to any F	$M = 0V$ (Sum or Diff. mode)	20	30	ns
$t_{PHL}, t_{PLH}$	Maximum Propagation Delay from any A or B to G	$M = 0V, S0 = S3 = V_{CC}$ $S1 = S2 = 0V$ (Sum mode)	20	30	ns
$t_{PHL}, t_{PLH}$	Maximum Propagation Delay from any A or B to G	$M = 0V, S0 = S3 = 0V$ $S1 = S2 = V_{CC}$ (Diff mode)	20	30	ns
$t_{PHL}, t_{PLH}$	Maximum Propagation Delay from any A or B to P	$M = 0V, S0 = S3 = V_{CC}$ $S1 = S2 = 0V$ (Sum mode)	27	41	ns
$t_{PHL}, t_{PLH}$	Maximum Propagation Delay from any A or B to P	$M = 0V, S0 = S3 = 0V$ $S1 = S2 = V_{CC}$ (Diff mode)	24	37	ns
$t_{PHL}, t_{PLH}$	Maximum Propagation Delay from $A_1$ or $B_1$ to $F_1$	$M = 0V, S0 = S3 = V_{CC}$ $S1 = S2 = 0V$ (Sum mode)	20	30	ns
$t_{PHL}, t_{PLH}$	Maximum Propagation Delay from $A_1$ or $B_1$ to $F_1$	$M = 0V, S0 = S3 = 0V$ $S1 = S2 = V_{CC}$ (Diff mode)	19	29	ns
$t_{PHL}, t_{PLH}$	Maximum Propagation Delay from $A_1$ or $B_1$ to $F_1$	$M = V_{CC}$ (Logic mode)	25	37	ns
$t_{PHL}, t_{PLH}$	Maximum Propagation Delay from any A or B to $A = B$	$M = 0V, S0 = S3 = 0V$ $S1 = S2 = V_{CC}$ (Diff mode)	25	37	ns

### AC Electrical Characteristics $C_L = 50 \text{ pF}$ , $t_r = t_f = 6 \text{ ns}$ (unless otherwise specified)

Symbol	Parameter	Conditions	$V_{CC}$	$T_A = 25^\circ\text{C}$		74HC $T_A = -40 \text{ to } 85^\circ\text{C}$		54HC $T_A = -55 \text{ to } 125^\circ\text{C}$		Units
				Typ	Guaranteed Limits					
$t_{PHL}$ , $t_{PLH}$	Maximum Propagation Delay from $C_n$ to $C_n + 4$		2.0V 4.5V 6.0V		125 25 22	155 31 28	190 38 33		ns ns ns	
$t_{PHL}$ , $t_{PLH}$	Maximum Propagation Delay from any A or B to $C_n + 4$	$M = 0V$ , $S_0 = S_3 = V_{CC}$ $S_1 = S_2 = 0V$ (Sum mode)	2.0V 4.5V 6.0V	110 35 30	250 50 43	325 63 53	375 75 65		ns ns ns	
$t_{PHL}$ , $t_{PLH}$	Maximum Propagation Delay from any A or B to $C_n + 4$	$M = 0V$ , $S_0 = S_3 = 0V$ $S_1 = S_2 = V_{CC}$ (Diff mode)	2.0V 4.5V 6.0V		250 50 43	325 63 53	375 75 65		ns ns ns	
$t_{PHL}$ , $t_{PLH}$	Maximum Propagation Delay from $C_n$ to any F	$M = 0V$ (Sum or Diff mode)	2.0V 4.5V 6.0V	65 22 14	150 32 28	190 40 35	225 48 42		ns ns ns	
$t_{PHL}$ , $t_{PLH}$	Maximum Propagation Delay from any A or B to G	$M = 0V$ , $S_0 = S_3 = V_{CC}$ $S_1 = S_2 = 0V$ (Sum mode)	2.0V 4.5V 6.0V	70 20 12	175 35 30	220 44 38	263 53 45		ns ns ns	
$t_{PHL}$ , $t_{PLH}$	Maximum Propagation Delay from any A or B to G	$M = 0V$ , $S_0 = S_3 = 0V$ $S_1 = S_2$ (Diff mode)	2.0V 4.5V 6.0V	65 23 16	165 33 29	210 42 37	250 50 44		ns ns ns	
$t_{PHL}$ , $t_{PLH}$	Maximum Propagation Delay from any A or B to P	$M = 0V$ , $S_0 = S_3 = V_{CC}$ $S_1 = S_2 = 0V$ (Sum mode)	2.0V 4.5V 6.0V	80 30 25	220 44 37	275 55 47	330 66 56		ns ns ns	
$t_{PHL}$ , $t_{PLH}$	Maximum Propagation Delay from any A or B to P	$M = 0V$ , $S_0 = S_3 = 0V$ $S_1 = S_2 = V_{CC}$ (Diff mode)	2.0V 4.5V 6.0V	75 27 24	195 39 34	244 49 43	293 60 51		ns ns ns	
$t_{PHL}$ , $t_{PLH}$	Maximum Propagation Delay from $A_i$ or $B_i$ to $F_i$	$M = 0V$ , $S_0 = S_3 = V_{CC}$ $S_1 = S_2 = 0V$ (Sum mode)	2.0V 4.5V 6.0V	70 26 21	180 36 31	225 45 39	270 54 47		ns ns ns	
$t_{PHL}$ , $t_{PLH}$	Maximum Propagation Delay from $A_i$ or $B_i$ to $F_i$	$M = 0V$ , $S_0 = S_3 = 0V$ $S_1 = S_2 = V_{CC}$ (Diff mode)	2.0V 4.5V 6.0V		160 32 27	200 40 34	290 48 41		ns ns ns	
$t_{PHL}$ , $t_{PLH}$	Maximum Propagation Delay from $A_i$ or $B_i$ to $F_i$	$M = V_{CC}$ (Logic mode)	2.0V 4.5V 6.0V	180 30 23	200 40 34	250 50 43	300 60 51		ns ns ns	
$t_{PHL}$ , $t_{PLH}$	Maximum Propagation Delay from any A or B to $A = B$	$M = 0V$ , $S_0 = S_3 = 0V$ $S_1 = S_2 = V_{CC}$ (Diff mode)	2.0V 4.5V 6.0V	180 30 23	200 40 34	250 50 43	300 60 51		ns ns ns	
$t_{TLH}$ , $t_{THL}$	Maximum Output Rise and Fall Time		2.0V 4.5V 6.0V	30 8 7	75 15 13	95 19 16	110 22 19		ns ns ns	
$C_{PD}$	Power Dissipation Capacitance (Note 5)			300					pF	
$C_{IN}$	Maximum Input Capacitance			5	15	15	15		pF	

Note 5:  $C_{PD}$  determines the no load dynamic power consumption,  $P_D = C_{PD} V_{CC}^2 f + I_{CC} V_{CC}$ , and the no load dynamic current consumption,  $I_S = C_{PD} V_{CC} f + I_{CC}$ .

## Parameter Measurement Information

Logic Mode Test Table

Function Inputs:  $S1 = S2 = M = V_{CC}$ ,  $S0 = S3 = 0 V$ 

Parameter	Input Under Test	Other Input Same Bit		Other Data Inputs		Output Under Test	Output Waveform
		Apply $V_{CC}$	Apply GND	Apply $V_{CC}$	Apply GND		
$t_{PHL}$ , $t_{PLH}$	$A_i$	$B_i$	None	None	Remaining A and B, $C_n$	$F_i$	Out-of-Phase
$t_{PHL}$ , $t_{PLH}$	$B_i$	$A_i$	None	None	Remaining A and B, $C_n$	$F_i$	Out-of-Phase

SUM Mode Test Table

Function Inputs:  $S0 = S3 = V_{CC}$   $S1 = S2 = M = 0 V$ 

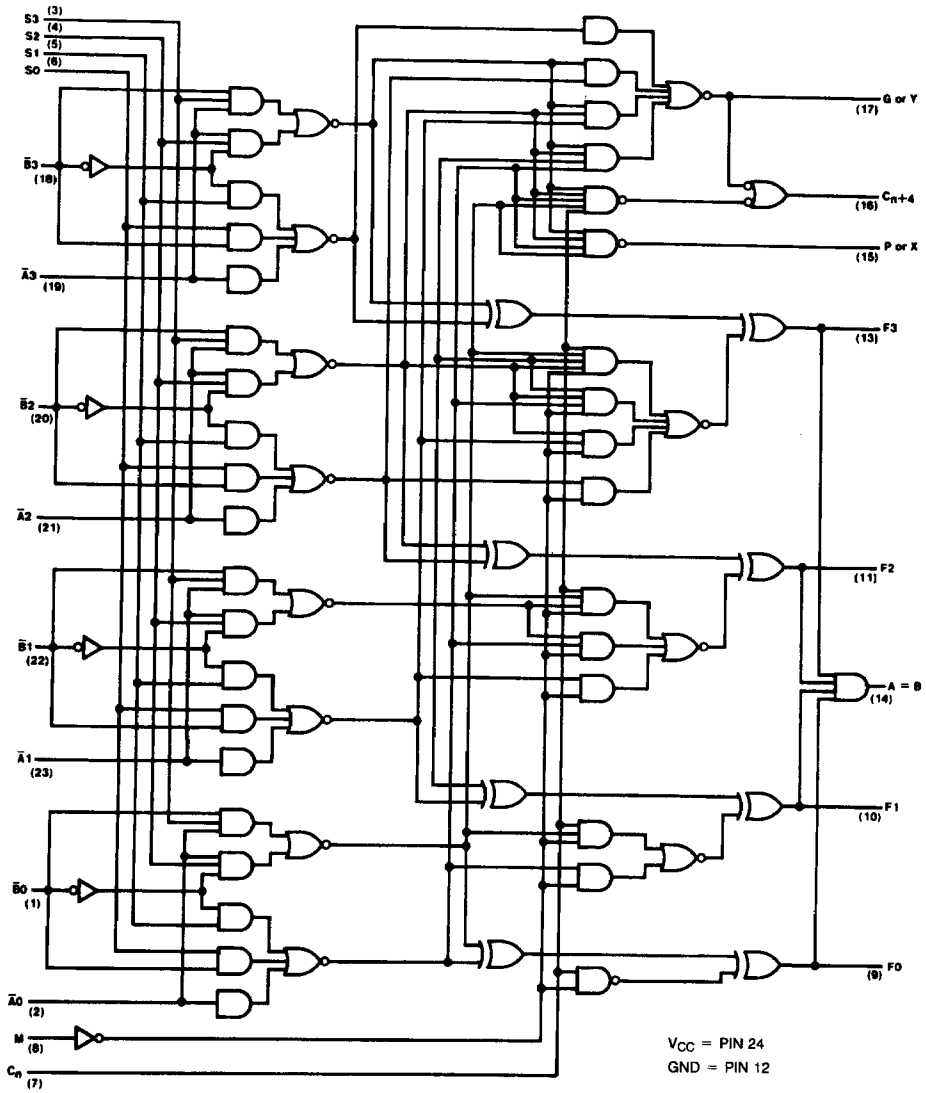
Parameter	Input Under Test	Other Input Same Bit		Other Data Inputs		Output Under Test	Output Waveform
		Apply $V_{CC}$	Apply GND	Apply $V_{CC}$	Apply GND		
$t_{PHL}$ , $t_{PLH}$	$A_i$	$B_i$	None	Remaining A and B	$C_n$	$F_i$	In-Phase
$t_{PHL}$ , $t_{PLH}$	$B_i$	$A_i$	None	Remaining A and B	$C_n$	$F_i$	In-Phase
$t_{PHL}$ , $t_{PLH}$	$A_i$	$B_i$	None	None	Remaining A and B, $C_n$	P	In-Phase
$t_{PHL}$ , $t_{PLH}$	$B_i$	$A_i$	None	None	Remaining A and B, $C_n$	P	In-Phase
$t_{PHL}$ , $t_{PLH}$	$A_i$	None	$B_i$	Remaining B	Remaining A, $C_n$	G	In-Phase
$t_{PHL}$ , $t_{PLH}$	$B_i$	None	$A_i$	Remaining B	Remaining A, $C_n$	G	In-Phase
$t_{PHL}$ , $t_{PLH}$	$C_n$	None	None	All A	All B	Any F or $C_n + 4$	In-Phase
$t_{PHL}$ , $t_{PLH}$	$A_i$	None	$B_i$	Remaining B	Remaining A, $C_n$	$C_n + 4$	Out-of-Phase
$t_{PHL}$ , $t_{PLH}$	$B_i$	None	$A_i$	Remaining B	Remaining A, $C_n$	$C_n + 4$	Out-of-Phase

Diff Mode Test Table

Function Inputs:  $S1 = S2 = V_{CC}$ ,  $S0 = S3 = M = 0 V$ 

Parameter	Input Under Test	Other Input Same Bit		Other Data Inputs		Output Under Test	Output Waveform
		Apply $V_{CC}$	Apply GND	Apply $V_{CC}$	Apply GND		
$t_{PHL}$ , $t_{PLH}$	$A_i$	None	$B_i$	Remaining A	Remaining B, $C_n$	$F_i$	In-Phase
$t_{PHL}$ , $t_{PLH}$	$B_i$	$A_i$	None	Remaining A	Remaining B, $C_n$	$F_i$	Out-of-Phase
$t_{PHL}$ , $t_{PLH}$	$A_i$	None	$B_i$	None	Remaining A and B, $C_n$	P	In-Phase
$t_{PHL}$ , $t_{PLH}$	$B_i$	$A_i$	None	None	Remaining A and B, $C_n$	P	Out-of-Phase
$t_{PHL}$ , $t_{PLH}$	$A_i$	$B_i$	None	None	Remaining A and B, $C_n$	G	In-Phase
$t_{PHL}$ , $t_{PLH}$	$B_i$	None	$A_i$	None	Remaining A and B, $C_n$	G	Out-of-Phase
$t_{PHL}$ , $t_{PLH}$	$A_i$	None	$B_i$	Remaining A	Remaining B, $C_n$	A = B	In-Phase
$t_{PHL}$ , $t_{PLH}$	$B_i$	$A_i$	None	Remaining A	Remaining B, $C_n$	A = B	Out-of-Phase
$t_{PHL}$ , $t_{PLH}$	$C_n$	None	None	All A and B	None	$C_n + 4$ or any F	In-Phase
$t_{PHL}$ , $t_{PLH}$	$A_i$	$B_i$	None	None	Remaining A, B, $C_n$	$C_n + 4$	Out-of-Phase
$t_{PHL}$ , $t_{PLH}$	$B_i$	None	$A_i$	None	Remaining A, B, $C_n$	$C_n + 4$	In-Phase

# Logic Diagram



TL/F/5320-4